



TEST REPORT

TEST OF A CATALYTIC WOOD BURNING FIREPLACE FOR EMISSIONS AND EFFICIENCY

PER EPA METHODS 28R AND ASTM E2515 and ASTM E2780, MAY 2015

Client: ICC Industrial Chimney Company

Model name: OPEL + 3C

Attention: Rafaël Sanchez

TESTED BY:

Services Polytests Inc.

695-B Gaudette

St-jean-sur-Richelieu, QC, J3B 7S7

TEST DATES: February 12th to 22nd 2018

REPORT DATE: March 5th 2018

Project number: PI-20161

All services undertaken are subject to the following general policy: Reports are submitted for exclusive use of the clients to whom they are addressed. Their significance is subject to the adequacy and representative character of the samples and to the comprehensiveness of the tests, examinations or surveys made. This document may not be reproduced except in its entirety without the written permission from Services Polytests. Services Polytests have not been involved in any R&D design consulting regarding this unit as requested by the NSPS..

Tested:

written by:

Maxime Martin

Danick Power, P. Eng

Verified by third party certifier (UL):

SUMMARY

1	Introduction	5
1.1	General.....	5
1.2	Test unit information	5
1.3	Results.....	7
1.4	Pretest information.....	7
2	Summary of test results.....	8
2.1	Emissions.....	8
2.2	Average calculation.....	9
2.3	Test facility conditions	9
2.4	Fuel qualities	10
2.5	Dilution tunnel flow rate measurements and sampling data (ASTM E2515).....	10
2.6	Dilution tunnel dual train precision	11
2.7	General summary of results.....	11
3	Process description.....	12
3.1	Discussion	12
3.2	Unit dimensions	13
3.3	Air supply system	14
3.4	operation during test.....	16
3.5	Start-up operation	17
3.6	Sampling locations	17
3.7	Drawings	17
3.8	Emissions efficiency testing equipment list	17
4	Sampling methods	17
4.1	Particulate sampling	17
5	Quality assurance	17
5.1	Instrument calibration	17
5.1.1	Gas meters.....	17
5.1.2	SCALES	17
5.1.3	Gas analyzers	17
5.2	Test method procedures.....	18
5.2.1	Leak check procedures	18

5.2.2	Tunnel velocity flow measurement	18
5.2.3	Pm sampling proportionality (ASTM E2515)	18

List of appendix

APPENDIX 1: Raw data, forms and results

APPENDIX 2: Proportionality results

APPENDIX 3: Calibration data

APPENDIX 4: Unit pre burn

APPENDIX 5: Participants

APPENDIX 6: Drawings and specifications

APPENDIX 7: Operator's manual

APPENDIX 8: Photographs of test set up

APPENDIX 9: Test load photographs

APPENDIX 10: Laboratory Operating Procedures

APPENDIX 11: Sample calculations

APPENDIX 12: Volume calculations

APPENDIX 13: Operating instruction

APPENDIX 14: Drawing Air flow pattern

APPENDIX 15: Component Spec

1 INTRODUCTION

1.1 GENERAL

Laboratory

- Location: Services Polytests Inc., 695-B Gaudette St-jean-sur-Richelieu QC, Canada J3B 7S7
- Elevation: 100 feet above sea level

Test program

- Purpose: unit qualification NSPS 2020
- Test dates: February 14th to 22nd 2018
- Test methods used:
 - Particulate emissions: ASTM E2780-10 ; ASTM E2515-11 methods 28R as referred into 40 CFR Part 60 Subpart AAA
 - Efficiency: CSA B415.1-10

1.2 TEST UNIT INFORMATION

General

- Manufacturer: ICC Industrial Chimney Company
- Product type: Catalytic wood burning fireplace
- Combustion system: catalytic, hybrid secondary system
- Unit tested: OPEL+3C
- Similar models : Opel+ 2C; Opel+4C; Opel+ keystone

The FF-JLAB043 (development name) is a catalytic unit that uses 7" diameter listed Excel insulated chimney manufactured by the Industrial Chimney Company (ICC).

The unit is a zero-clearance built-in model, and is not free standing. The firebox is thus enclosed in a double insulated casing. Fins and shields are all around the firebox to enhance the heat transfer efficiency. The facing has openings for the lower and the upper louvers to allow the convection heat to circulate around the firebox and into the room.

The firebox is made of regular low carbon steel. The combustion chamber is almost all lined with refractory cement bricks.

The catalytic combustor is installed at the top of the firebox near the front. It is easily visible for visual inspection by the homeowner and is easily accessible for maintenance and/or replacement. The bypass is easily operated by the handle which protrudes out the front of the unit just above the door.

Two possible bypass systems have been developed and are included in the unit drawings. The first one is opened and closed with a forward/backward movement of the bypass handle, simply sliding the bypass cover

backward over the bypass opening or pulling it forward and out of the way. The second uses a rotation movement of the bypass handle to lift up and down the bypass cover.

The unit uses primary, secondary and tertiary air for combustion. The primary air intake is located at the bottom on the right side of the unit with its control handle located below the glass door(s) towards the right. The primary air control handle allows the homeowner to decide the basic burn rate: anything from the minimum to the maximum. Beyond the homeowner selection of the basic burn rate, the primary air control uses a bi-metallic spring that automatically reduces the amount of primary air as a bi-metallic spring gets warmer while the fire is burning. As the fire dies down, control of the primary air returns to the homeowner.

The secondary air intake is on both sides of the firebox, close to the bottom of the unit and is distributed through a secondary air tube located just below the catalytic combustor. The secondary air is not user controlled.

The tertiary air intake is below the front of the firebox. It fuels the coal bed directly with fresh air. There is no user control for the tertiary air.

The same unit will be offered with either: 1) a set of double arched cast iron doors, 2) a single arched cast iron door or 3) a single arched door made of thick steel. In all versions, the firebox, the combustion air, the air control and the casing is the same. The only difference is the door frame(s) at the front of the unit. All doors use ceramic glass.

The louvers will also be offered in different styles: regular, classic, blade style and Keystone style but each style provides the same air circulation around the firebox. The louver openings can also be blocked in which case the bottom louver is replaced by an 10" round ambient air entry and the upper louver is replaced by two 8" round gravity vents. The vent grills offered for the gravity vent and the ambient air entry will also be offered in different styles: regular, contemporary and rectangular.

These units will be marketed as part of the RSF line of combustion controlled built-in stoves. The double arched cast iron doors unit will be marketed under "Opel+ 2C", the single arched cast iron door will be marketed under "Opel+ 3C", the simple single metal door will be marketed as the "Opel+ 4C" and the single metal door with the decorative facing overlay will be marketed under "Opel+ Keystone".

Various options will be available to increase the efficiency and help with the heat distribution:

- Gravity Vent Option: possible to install one or two, can only go upwards, uses insulated ducting (max. 15' long).
- Internal Fan Option: installed inside the casing of the unit just below the firebox, it increases the heat circulation around the firebox without any additional ducting.
- Heat Dump Option: small inline fan that can redirect heat downwards or upwards through insulated ducting (max. 8' long).
- Central Heat Blower Option: big blower that can redirect heat in any direction through regular HVAC ducting. Other options are also available to go along with this blower to add functionality similar to a central heat furnace (zone definition, zone control, etc.)

The unit that was used to conduct all tests had a single cast iron door. Both louver openings were covered with regular louvers, no gravity vent installed, the optional central heat blower was installed. The sliding bypass system was used along with a metal substrate catalytic combustor. A complete test series was executed with the fan running. In addition, one run was done with the fan off to confirm the impact of the fan on the emissions.

1.3 RESULTS

Emission results obtained

- Average emission rate: 0.7 grams/hour
- Maximum rate cap: 0.85 grams/hour at run 1

Conformity: NSPS Phase 2020

1.4 PRETEST INFORMATION

Unit condition: The unit was received by carrier first week of February 2018. The 48hrs of aging was made by the Services Polytests from February 12th to 14th 2018 (all data in Appendix 4).

Set up

- Venting system type: 7 inch diameter insulated chimney
- System height from floor: 16 feet
- Particularities: The unit was tested with the external blower (580CFM) ON for average numbers (Test #1 through #5), and one confirmation test is done without any convection fan (test #6).

Break in period

- Duration: the unit was pre burned and run for at least 48 hours, adequate documentation of fuel additions, flue and unit temperatures recorded.
- Fuel: BC FIR between 19% and 25%

2 SUMMARY OF TEST RESULTS

2.1 EMISSIONS

Run Number	Test Date (YYYY-MM-DD)	Burn Rate (kg/hr)	Emission Rate (g/hr)	Heating Efficiency (% Overall)	1st hour Emission Rate (g/hr)	CSA B415.1 CO emission Gr/min
1	2018-02-14	1,049	0,85	68,8%	3.73	0,575
2	2018-02-15	1,088	0,74	74,6%	3.98	0,63
3	2018-02-19	0,881	0,55	68,8%	2.49	0,49
4	2018-02-20	1,372	0,83	72,4%	3.70	0,37
5	2018-02-21	2,221	0,57	65,8%	0.78	0,73
6	2018-02-22	1,140	0,54	74,7%	2.06	0,26

2.2 AVERAGE CALCULATION

Test No.	Burn Rate (Kg/hr)	(E) Ave. Emission Rate g/hr	(OHE) %	Heat Output (BTU/HR)	CSA B415.1 CO emission g/min
3	0,88	0,55	68.8	11 723	0,50
1	1,05	0,85	68.8	13 981	0,52
2	1,09	0,74	74.6	15 126	0,68
4	1,37	0,83	72.4	18 642	0,38
5	2,22	0,57	65.8	27 034	0,81
Weighted particulate emission average of 5 test runs: 0.70 grams per hour.					
Weighted average HHV efficiency of 5 test runs: 70.2%.					
Average Co 0.58 gr/min					

2.3 TEST FACILITY CONDITIONS

Run Number	Room Temperature		Barometric pressure		Relative humidity		Air Velocity	
	Before (F)	After (F)	Before (in.Hg)	After (in.Hg)	Before (%)	After (%)	Before (ft/min)	After (ft/min)
1	73	68	30,121	30,062	24,3	21,1	3	5
2	72	74	29,648	29,825	27,2	23,1	6	10
3	72	75	30,180	30,062	25,1	26	2	5
4	72	74	30,062	29,884	29,7	26,3	4	3
5	73	74	29,943	30,062	40,2	38,5	7	5
6	71	75	30,386	30,386	27,3	22,4	4	3

2.4 FUEL QUALITIES

Run Number	Pre-test Load			Test Load						
	Loading Weight Wet Basis (lbs)	Moisture Content Dry Basis (%)	Coal bed Weight (lbs)	Weight Wet Basis (lbs)	Density Wet Basis (lbs/cuft)	Moisture Content Dry Basis (%)	Piece Length (in.)	Number of 2X4's	Number of 4x4's	Number of Spacers
1	19,24	21,29	4,0	17,78	7,666	21,38	15,75	4	2	24
2	19,35	21,77	4,0	17,80	7,672	21,33	15,75	4	2	24
3	19,43	21,11	4,0	17,72	7,638	21,61	15,75	4	2	24
4	19,48	20,81	3,9	17,71	7,635	21,55	15,75	4	2	24
5	20,49	20,70	3,6	17,84	7,689	21,46	15,75	4	2	24
6	18,91	20,59	3,8	17,74	7,648	21,04	15,75	4	2	24

2.5 DILUTION TUNNEL FLOW RATE MEASUREMENTS AND SAMPLING DATA (ASTM E2515)

Run Number	Average dilution tunnel measurements			Sample Data			
	Burn Rate (Min)	Volumetric Flow Rate (dscf/min)	Total Temperatures (°R)	Volume sampled (DSCF)		Particulate catch (mg)	
				1	2	1	2
1	380	175,08	551,42	65,975	66,777	5,30	5,60
2	367	172,17	549,71	65,031	66,958	4,60	5,10
3	450	178,13	551,69	77,299	77,693	4,00	4,20
4	289	171,43	558,49	49,575	50,328	4,10	4,00
5	180	166,75	596,40	30,689	31,007	1,90	1,80
6	350	175,17	552,90	59,498	60,240	3,20	3,00

2.6 DILUTION TUNNEL DUAL TRAIN PRECISION

Run Number	Sample Ratio		Total Emission (g)		
	Train 1	Train 2	Train 1	Train 2	% Deviation
1	1008,40	996,29	5,24	5,47	2,18%
2	971,62	943,65	4,36	4,70	3,76%
3	1037,00	1031,73	4,04	4,22	2,24%
4	999,34	984,40	4,10	3,94	1,99%
5	978,07	968,02	1,75	1,64	3,45%
6	1030,46	1017,76	3,30	3,05	3,84%

2.7 GENERAL SUMMARY OF RESULTS

Run Number	Burn Rate (kg/hr)	Average Surface Temperature (F)	Change in surface Temperature (F)	Initial Draft (in. H ² O)	static pressure tunnel (in. H ² O)	Primary Air Setting	Run Time (min)
1	1,049	295,32	-74,3	0,081	0,360	min	380
2	1,088	301,47	-24,3	0,068	0,221	min	367
3	0,881	283,06	-67,1	0,071	0,380	min	450
4	1,372	327,57	-39,4	0,073	0,370	min	289
5	2,221	391,43	-50,5	0,093	0,360	Full open	180
6	1,140	373,66	-20,2	0,078	0,370	min	350

3 PROCESS DESCRIPTION

3.1 DISCUSSION

This fireplace/ built-in Stove, has different ventilation option as detailed below. The entire test series weighted average numbers have been run and calculated with the biggest blower in operation (test #1 through #5). A confirmation test has been done without any blower to ensure numbers without the option (test #6).

Options:

- Gravity Vent Option: possible to install one or two, can only go upwards, uses insulated ducting (max. 15' long).
- Internal Fan Option: installed inside the casing of the unit just below the firebox, it increases the heat circulation around the firebox without any additional ducting.
- Heat Dump Option: small inline fan that can redirect heat downwards or upwards through insulated ducting (max. 8' long).
- Central Heat Blower Option: big blower that can redirect heat in any direction through regular HVAC ducting. Other options are also available to go along with this blower to add functionality similar to a central heat furnace (zone definition, zone control, etc.)

3.2 UNIT DIMENSIONS

Baffle

- Location: between top of combustion chamber and hearth
- Dimensions: 21 ³/₈ inch wide and 7 ³/₄ inch depth.
- Material: Steel 1/4 inch thick.

Bricks

- Inside firebox refractory brick 1¹/₄ inch. thick cover all the sides, bottom and the back of the combustion chamber

Flue gas exhaust

- Location: top flue
- Dimensions: 7 in. diameter
- Material: 304 Stainless Steel 20 Ga.

Gasket

- Refer to appendix 15 for all details

Overall unit dimension

- Overall dimensions: 34 ¹¹/₁₆ inch wide x 23 ¹/₈ inch deep x 48 ¹/₂ inch high.
- Usable volume : 2.32 cuft

Convection fan (refer to appendix 15 for all details

- Internal Blower kit (FO-FDHB5-N)
- Heat dump kit (FO-HD)
- Inline fan kit (FO-CIF)
- Central heat blower (FO-HB6-1)

Catalyst:

- Frame 304 Stainless steel
- Material: durafoil
- Cell Density : 50 +-5CPSI
- Wall thickness : 70 +-10microns

3.3 AIR SUPPLY SYSTEM

Description

The unit uses primary, secondary and tertiary air for combustion.

The primary air intake is located at the bottom on the right side of the unit with its control handle located below the glass door(s) towards the right. The primary air control handle allows the homeowner to decide the basic burn rate: anything from the minimum to the maximum. Beyond the homeowner selection of the basic burn rate, the primary air control uses a bi-metallic spring that automatically reduces the amount of primary air as a bi-metallic spring gets warmer while the fire is burning. As the fire dies down, control of the primary air returns to the homeowner. All details of bi-metal air control is provided in appendix 6

The secondary air intake is on both sides of the firebox, close to the bottom of the unit and is distributed through a secondary air tube located just below the catalytic combustor. The secondary air is not user controlled.

The tertiary air intake is below the front of the firebox. It fuels the coal bed directly with fresh air. There is no user control for the tertiary air.

Characterization

The following table shows the inlet and outlet sections of each system. The air flow system is described in detail in appendix 14 and throughout drawings in Appendix 6.

AIR INTRODUCTION SYSTEM		INLET (1) sq. in.			OUTLET (sq. in.)
Identification	Type	Imin	Imax	Controlled	
APPENDIX 14 PA	Primary	Refer to appendix 6 p. 22 to 23	Refer to appendix 6 p. 22 to 23	Bi-metal	Refer to appendix 14 and appendix 6 p. 22 to 23
APPENDIX 14 SA	Secondary	refer to appendix 14	refer to appendix 14	none	Refer to appendix 14
APPENDIX 14 TA	Tertiary/Pilot	refer to appendix 14	refer to appendix 14	None	Refer to appendix 14

* This section would be filled by measuring and comparing with the manufacturer's drawings included in the test report.

Legend

Identification: Tag name referred to on drawings in Appendix 14, section airflow pattern

Type: Characterization of air intake

Imin: Minimum air intake of a particular air channel

Imax: Maximum air intake of a particular air channel

Controlled: Determines if a provision for air control is present

Outlet: Total air outlet of a particular air channel

3.4 OPERATION DURING TEST

Run #1

This run was performed on February 14th 2018. It lasted 380 minutes and a 1.05 kg/hr burn rate was obtained & emission at 0.85 gr/hr. The optional Central Heat Blower Option was at on position during the entire test. Damper was used in the flue pipe to reduce the burn rate and aimed for less than 1 kg/hr. As this test end with a burn rate above 1 kg/hr, will have to repeat it for next test an obtained one test at less than 1kg/hr.

Run #2

This run was performed on February 15th 2018. It lasted 367 minutes and a 1.09 kg/hr burn rate was obtained & emission at 0.74 gr/hr. The optional Central Heat Blower Option was at on position during the entire test. Damper was used in the flue pipe to reduce the burn rate and aimed for less than 1 kg/hr. As this test end with a burn rate above 1 kg/hr, will have to repeat it for next test an obtained one test at less than 1kg/hr.

Run #3

This run was performed on February 19th 2018. It lasted 450 minutes and a 0.88 kg/hr burn rate was obtained & emission at 0.55 gr/hr. The optional Central Heat Blower Option was at on position during the entire test. Damper was used in the flue pipe to reduce the burn rate under 1 kg/hr.

Run #4

This run was performed on February 20th 2018. It lasted 289 minutes and a 1.37 kg/hr burn rate was obtained & emission at 0.83 gr/hr. The optional Central Heat Blower Option was at on position during the entire test.

Run #5

This run was performed on February 21st 2018. It lasted 180 minutes and a 2.22 kg/hr burn rate was obtained & emission at 0.56 gr/hr. The optional Central Heat Blower Option was at on position during the entire test.

Run #6

This run was performed on February 22nd 2018. It lasted 350 minutes and a 1.14 kg/hr burn rate was obtained & emission at 0.54 gr/hr. The optional Central Heat Blower Option was at off position during the entire test. This test is not included in the weighted average; the only purpose of this test was for non-fan confirmation test.

- Details: Refer to the front page of each test run data sheets found in appendix for the detailed test sequence showing air supply settings and adjustments, fuel bed adjustments and operational specifics of the test unit.

Test fuel cribs

- Type of wood: Douglas fir, grade c or better, 19 to 25% dry basis moisture content
- Description: for each test, description of the fuel crib is found on the front page of each test run data sheet together with photograph in appendix.

3.5 START-UP OPERATION

The complete manufacturer's firing procedure of each burn rate category is fully described in appendix 13.

3.6 SAMPLING LOCATIONS

Particulate samples are collected from the dilution tunnel at a point 15 feet from the tunnel entrance. The tunnel has two elbows and two mixing baffles in the system ahead of the sampling section. The sampling section is a continuous 15 foot section of 8 inch diameter pipe straight over its entire length. Tunnel velocity pressure is determined by a standard pitot tube located 48 inches from the beginning of the sampling section. Thermocouple is installed on the pitot tube to measure the dry bulb temperature. MC is assumed, as allowed, to be 4%. Tunnel samplers are located 56 inches downstream of the pitot tube and 16 inches upstream from the end of this section.

3.7 DRAWINGS

Various drawings of the stack gas sampling train and of dilution tunnel system are found in Appendix 1.

3.8 EMISSIONS EFFICIENCY TESTING EQUIPMENT LIST

The complete test equipment list together with all corresponding calibration data can be found in Appendix 3.

4 SAMPLING METHODS

4.1 PARTICULATE SAMPLING

Particulates were sampled in strict accordance with ASTM E2515. This method uses two identical sampling systems with Gelman A/E 61631 binder free (or equivalent), 47 mm diameter filters. The dryers used in the sample systems are filled with "Drierite" before each test run.

5 QUALITY ASSURANCE

5.1 INSTRUMENT CALIBRATION

5.1.1 GAS METERS

At the conclusion of each test program the gas meters are verified using the reference dry gas meter. This process involves sampling the train operation for 1 cubic foot of volume. With readings made to .01 fr', the resolution is 1 %, giving an accuracy higher than the 2% required by the standard.

5.1.2 SCALES

Before each test program, the different scales used are checked with traceable calibration weights to ensure their accuracy.

5.1.3 GAS ANALYZERS

The continuous analyzers are zeroed and spanned before each test with NBS traceable gases. A mid-scale multi-component calibration gas is then analyzed (values are recorded). At the conclusion of a test, the instruments are checked again with zero, span and calibration gases (values are recorded only). The drift in each meter is then calculated and must not exceed 5% of the scale used for the test.

5.2 TEST METHOD PROCEDURES

5.2.1 LEAK CHECK PROCEDURES

Before and after each test, each sample train is tested for leaks. Leakage rates are measured and must not exceed 0.02 CFM or 4% of the sampling rate. Leak checks are performed checking the entire sampling train. Pre-test and post-test leak checks are conducted with a vacuum of 5 inches of mercury. Vacuum is monitored during each test and the highest vacuum reached is then used for the post-test vacuum value. If leakage limits are not met, the test run is rejected. During these tests, the vacuum is typically less than 2 inches of mercury. Thus, leakage rates reported are expected to be much higher than actual leakage during the tests.

5.2.2 TUNNEL VELOCITY FLOW MEASUREMENT

The tunnel velocity is calculated from a center point pitot tube signal multiplied by an adjustment factor. This factor is determined by a traverse of the tunnel as prescribed in EPA Method 1. Final tunnel velocities and flow rates are calculated from EPA Method 2, Equation 6.9 and 6.10. (Tunnel cross sectional area is the average from both lines of traverse.)

Pitot tubes are cleaned before each test and leak checks are conducted after each test.

5.2.3 PM SAMPLING PROPORTIONALITY (ASTM E2515)

Proportionalities were calculated in accordance with ASTM E2515. The data and results are found in appendix.

APPENDIX 1: Raw data, forms and results

Paramètres

Tous les facteurs de corrections et autres paramètres qui peuvent être modifiés par l'utilisateur du fichier sont regroupés ici.

Code verrouillage:

ICC

Description du test

Test standard	EPA
Run #	1
Date	14-02-2018
Technicien	m.m
Project #	pi 20161

Description de l'unité

Manufacturier	icc	
Modèle	opel+ 3c	
Combustion system	Cat	
Appliance type	fireplace	
Firebox volume	2,32	cu ft.
Appliance weight empty	n.a	lbs
Appliance weight full	n.a	lbs

Paramètres du test

Logging time	1	min
Manufacturer's rated heat output	n.a	BTU/h Donnée fournie par le manufacturier
Targeted category	1	
Targeted output	n.a	BTU/h
Cp steel	n.a	BTU/lb-°F

Échantillonnage

Blank sampling rate	0,20	cuft/min
Internal probe diameter	0,18	in.
Calibration Factor (DGM #1):	0,988	Dimensionless
Equipment number (DGM #1):	em 178	
Calibration Factor (DGM #2):	0,988	Dimensionless
Equipment number (DGM #2):	em 179	
Calibration Factor (DGM #3):	0,986	Dimensionless
Equipment number (DGM #3):	em 070	Dimensionless

Tunnel

Targeted tunnel flow rate	6	scfm
Tunnel diameter	140	in.
Molecular weight	28,78	May be assumed to be 28,78 (EPA) Si B-415 = 29
Pitot tube type	Standard	
Pitot tube coefficient	0,99	Dimensionless

Project nu.	pi 20161
Date	14-02-2018
Technicien	m.m

Fuel data

Fuel type	Dimension
Fuel specie	D. Fir
HHV	19810,0 kJ/kg
%C	48,7
%H	6,9
%O	43,9
%Ash	0,5
HHV	8519,2 Btu/lb
LHV	7451,0 Btu/lb

Default Fuel Values		
	D. Fir	Oak/Maple
HHV	19 810	19 887
%C	48,73	50
%H	6,87	6,6
%O	43,9	42,9
%Ash	0,5	0,5
HHV (Btu/lb)	8519	8552
LHV (Btu/lb)	7451	7480

	Start	End
Barometer (kPa):	102	101,8
Barometer (in.Hg):	30,120589	30,06152868
Dry Bulb (F):	66,38	67,86
Humidity (%):	24,3	21,1
Air velocity (ft/min)	3	5

DGM #1	Final:	22071,558	cuft
	Initial:	22002,491	cuft
DGM #2	Final:	20016,717	cuft
	Initial:	19946,637	cuft
DGM room			

	Final:	624996,900	Liter
	Initial:	623041,140	Liter
	Final:	566810,290	Liter
	Initial:	564825,850	Liter
	Final:	792,730	cuft
	Initial:	760,000	cuft

Numéro de la ligne dans "Raw data" à partir duquel les données du VRAI test commencent

167

Autres données à rentrer: dans preload data, load data, traverse et filter set weight

Project nu.	pi 20161
Date	14-02-2018
Technicien	m.m

FUEL LOAD DATA SHEET, CSA B415

Test Load Weight:

Lower	Ideal	Upper
14,6	16,2	17,9

* For boilers, a loading density factor of 10 lb/ft3 is applic

Load Volume: cu. ft Loading Density: 7,7 lbs./ft3

Number of Spaces: Load Density (wet): 32,4 lbs./ft3

Spacer weight: lbs Dry Wood Density: 26,7 lbs./ft3

Piece Size (in):			Weight lbs	Meter Moisture Content Dry Uncorrected %					Ave. MC x	Volume	Ave. MC
Thick	Wide	Length							Cubic Inches	%	
1,5	3,5	15,75	1,56	20,00	19,90	19,80	19,80	19,90	31,05256	82,69	19,9
1,5	3,5	15,75	1,59	19,10	19,10	19,30	19,20	19,10	30,54104	82,69	19,2
1,5	3,5	15,75	1,71	21,30	21,10	21,60	21,00	21,00	36,3368	82,69	21,2
1,5	3,5	15,75	1,80	23,90	23,80	23,80	23,90	23,70	42,97128	82,69	23,8
3,5	3,5	15,75	4,16	22,00	21,60	21,80	21,90	21,30	90,44208	192,94	21,7
3,5	3,5	15,75	4,44	22,10	22,30	22,10	21,90	22,00	98,0352	192,94	22,1
1,5	0,75	5	0,11					19,60	2,0776	5,63	19,6
1,5	0,75	5	0,10					19,40	1,94	5,63	19,4
1,5	0,75	5	0,11					19,90	2,189	5,63	19,9
1,5	0,75	5	0,11					19,60	2,0776	5,63	19,6
1,5	0,75	5	0,11					19,30	2,0458	5,63	19,3
1,5	0,75	5	0,10					20,00	2,04	5,63	20,0
1,5	0,75	5	0,10					20,60	2,06	5,63	20,6
1,5	0,75	5	0,11					20,40	2,2032	5,63	20,4
1,5	0,75	5	0,10					20,10	2,0502	5,63	20,1
1,5	0,75	5	0,10					20,60	2,1424	5,63	20,6
1,5	0,75	5	0,10					20,80	2,1216	5,63	20,8
1,5	0,75	5	0,11					20,30	2,1924	5,63	20,3
1,5	0,75	5	0,11					20,10	2,1306	5,63	20,1
1,5	0,75	5	0,104					20,60	2,1424	5,63	20,6
1,5	0,75	5	0,11					20,90	2,299	5,63	20,9
1,5	0,75	5	0,1					20,10	2,01	5,63	20,1
1,5	0,75	5	0,108					20,8	2,2464	5,63	20,8
1,5	0,75	5	0,098					21	2,058	5,63	21,0
1,5	0,75	5	0,104					21,3	2,2152	5,63	21,3
1,5	0,75	5	0,104					21,3	2,2152	5,63	21,3
1,5	0,75	5	0,11					21,4	2,354	5,63	21,4
1,5	0,75	5	0,104					20,1	2,0904	5,63	20,1
1,5	0,75	5	0,1					19,6	1,96	5,63	19,6
1,5	0,75	5	0,104					19,3	2,0072	5,63	19,3

SUM MCx 380,24716 20,5 %

Test Load Weight: lbs.

Dry Weight: kg.

Average Moisture Content: %

Dry: Dry(EPA) 21,38

Dry(B415) 21,38

Must be 19-25

Wet: must be 15,2-22

Coal Bed Range: lbs. to

lbs.

TEST CHARGE:

Coal bed weight:

lbs.

Project nu.	pi 20161
Date	14-02-2018
Technicien	<input type="text" value="m.m"/>

Tunnel Traverse Worksheet (for velocity calculations)

Static Pressure: 0,36 in. H2O
 Barometer: 29,900 in. Hg

Pour un tunnel de 12" et plus, prendre 6 lectures

	TUNNEL VELOCITY	TUNNEL TEMP	SQUARE ROOT
	In. wc	°F	
A center			0,0000
B center			0,0000
A1			0,0000
A2			0,0000
A3			0,0000
A4			0,0000
A5			0,0000
A6			0,0000
B1			0,0000
B2			0,0000
B3			0,0000
B4			0,0000
B5			0,0000
B6			0,0000
AVERAGE	#DIV/0!	#DIV/0!	0,0000

PITOT CONSTANT=
0,955

Pour un tunnel moins de 12", prendre 4 lectures

	TUNNEL VELOCITY	TUNNEL TEMP	SQUARE ROOT
	In. wc	°F	
A center	0,063	68,57	0,2510
B center	0,062	68,4	0,2490
A1	0,053	68,51	0,2302
A2	0,064	68,48	0,2530
A3	0,059	68,46	0,2429
A4	0,052	68,54	0,2280
B1	0,051	68,380	0,2258
B2	0,058	68,240	0,2408
B3	0,055	68,320	0,2345
B4	0,054	68,300	0,2324
AVERAGE	0,0571	68,4200	0,2388

Project nu.	pi 20161
Date	14-02-2018
Technicien	m.m

Filter set weight

	System 1 (g) 1st hour				System 1 (g)				System 2 (g)				Ambient blank (g)	Date	Heure
	probe	front	back	gasket	probe	front	back	gasket	probe	front	back	gasket	Filter		
Number	6	1	2	11	32	3	4	23	42	5	6	26	7		
Before (1)															
Before (2)															
Before (3)															
Before (4)															
Before (5)	61,3757	0,1242	0,1243	35,5538	110,1778	0,1250	0,1261	35,1864	110,3102	0,1250	0,1276	35,5444	0,1254	13/02/2018	17:00
Before (6)	61,3757	0,1241	0,1244	35,5537	110,1779	0,1250	0,1261	35,1865	110,3102	0,1251	0,1277	35,5445	0,1254	14/02/2018	10:00
After (1)	61,3771	0,1257	0,1246	35,5562	110,1791	0,1248	0,1257	35,1883	110,3131	0,1288	0,1279	35,5476	0,1255	15/02/2108	20:00
After (2)	61,3766	0,1254	0,1243	35,5551	110,1786	0,1245	0,1255	35,1882	110,3126	0,1284	0,1278	35,5464	0,1255	22/02/2018	08:00
After (3)	61,3766	0,1254	0,1244	35,5551	110,1786	0,1246	0,1256	35,1883	110,3106	0,1284	0,1278	35,5464	0,1255	26/02/2018	08:00
After (4)	61,3766	0,1255	0,1244	35,5551	110,1786	0,1246	0,1256	35,1884	110,3106	0,1284	0,1278	35,5464	0,1255	01/03/2018	08:00
After (5)															
After (6)	61,3766	0,1255	0,1244	35,5551	110,1786	0,1246	0,1256	35,1884	110,3106	0,1284	0,1278	35,5464	0,1255	01/03/2018	08:00
Difference	0,0009	0,0014	0,0000	0,0014	0,0007	-0,0004	-0,0005	0,0019	0,0004	0,0033	0,0001	0,0019	0,0001		
Total (mg)		3,7				5,4				5,7			0,1		
Total ajusté (mg)		3,60				5,30				5,60					

Project nu.	pi 20161
Date	14-02-2018
Technicien	mm

SFBA EPA EMISSION RESULTS

RESULTS

Average emission rate: 0,8 g/hr

Burn Rate : 1,049 Dry kg/hr

Test Duration: 380 min

PRESSURE FACTOR: DGM 1 0,97896
 DGM 2 0,97621
 DGM 3 1,00572

BAROMETRIC PRESSURE
 Average: 30,091059 in Hg
 Start: 30,120589 in Hg
 End: 30,061529 in Hg

TEMPERATURE FACTORS DGM 1 0,98774
 DGM 2 0,98752
 DGM 3 0,98760

DGM CONTROLLER VALUES

DGM 1 Final: 22071,558 Cuft
 Initial: 22002,491 Cuft

VOLUMES SAMPLED DGM 1 65,975 Scft
 DGM 2 66,777 Scft
 DGM 3 32,067 Scft

DGM 2 Final: 20016,717 Cuft
 Initial: 19946,637 Cuft

DGM #3 Final: 792,730 Cuft
 Initial: 760,000 Cuft

TOTAL TUNNEL VOLUME : 66529

TEMPERATURES

DGM 1 534,554 °R
 DGM 2 534,675 °R

SAMPLE RATIOS
 Sample Train 1: 1008,403
 Sample Train 2: 996,294

CALIBRATION FACTORS

DGM 1 0,9879
 DGM 2 0,9884
 DGM #3 0,9864

Paticulate concentration
 Sample Train 1 **0,000082** g/dscf
 Sample Train 2 **0,000085** g/dscf
 Room **0,000003** g/dscf

TUNNEL FLOW RATE: 175,078 Dscfm

TOTAL EMISSIONS
 Sample Train 1 **5,24** g
 Sample Train 2 **5,47** g

PARTICULATE CATCH
 Total Sample Train 1: 5,40 mg
 Total Sample Train 2: 5,70 mg
 Total Sample Train 1 1st hour: 3,70 mg

EMISSION RATES
 Sample Train 1 **0,83** g/hr
 Sample Train 2 **0,86** g/hr

1st hour emission rate **3,73** g/hr

DEVIATION: 2,18%

Cs Train 1 Train 2
 8,185E-05 8,53588E-05

Elapsed Time min	Raw data row	Weight Remaining lbs	CO ₂			Flue Gas		Room Temp °F	Tunnel Dry Bulb °F	Unit Top	Unit Back	Unit R.Side	Unit L.Side	Unit Bottom	Catalyst Down	Catalyst Center	Catalyst Up
			%	%	%	%	%			%	%	%	%	%	%	%	%
0,00	167,00	17,8	0,0	10,2	343,9	505,7	72,8	193,8	419,2	380,7	383,6	260,7	275,4	425,1	0,0	484,0	0,0
1,0	168,0	17,4	0,2	10,2	350,3	485,8	72,4	158,4	419,7	388,2	386,3	273,3	284,2	509,3	0,0	462,7	0,0
2,0	165,9	17,3	0,3	10,2	335,3	620,3	72,2	156,5	424,7	394,3	389,2	291,3	292,6	792,6	0,0	908,3	0,0
3,0	170,0	16,4	0,4	1,6	360,8	696,4	72,6	181,7	424,6	400,1	391,5	289,3	298,6	904,1	0,0	1074,1	0,0
4,0	171,0	16,2	0,9	1,9	364,9	641,7	72,6	163,1	429,0	404,3	392,0	284,3	304,6	1130,3	0,0	1028,2	0,0
5,0	172,0	16,0	0,3	2,4	368,3	619,0	72,6	138,0	434,5	407,7	391,1	298,8	309,5	1102,3	0,0	951,0	0,0
6,0	173,0	15,9	0,2	2,5	372,1	576,3	72,5	118,6	441,6	411,0	391,3	302,7	314,1	1076,1	0,0	858,2	0,0
7,0	174,0	15,8	0,1	2,3	375,2	556,7	72,2	112,3	448,8	413,2	390,3	305,9	318,0	1074,5	0,0	797,1	0,0
8,0	175,0	15,7	0,1	8,2	377,5	545,8	72,2	108,7	454,8	413,3	390,3	308,5	320,7	1066,0	0,0	756,3	0,0
9,0	176,0	15,7	0,1	7,0	379,3	537,9	71,9	106,4	458,9	413,0	389,8	311,0	324,0	1044,9	0,0	731,5	0,0
11,0	177,0	15,6	0,8	6,6	379,7	530,4	72,3	104,6	461,4	411,2	388,7	311,2	326,0	1018,9	0,0	711,9	0,0
12,0	179,0	15,5	0,0	6,5	379,5	519,5	71,6	102,9	462,8	407,1	385,8	312,3	329,3	988,9	0,0	685,8	0,0
13,0	180,0	15,4	0,0	6,4	378,7	513,7	71,8	102,8	462,3	404,8	383,3	312,2	331,1	978,1	0,0	677,4	0,0
14,0	181,0	15,3	0,0	6,4	377,8	509,5	71,9	102,5	460,9	402,7	380,5	312,4	332,5	968,4	0,0	668,5	0,0
15,0	182,0	15,3	0,0	6,4	372,0	504,3	72,3	100,3	455,2	398,9	379,1	298,7	327,9	954,9	0,0	663,6	0,0
16,0	183,0	15,2	0,0	6,5	362,9	499,3	72,1	100,4	446,7	390,5	376,6	281,8	319,1	948,8	0,0	662,8	0,0
17,0	184,0	15,2	0,0	6,7	355,4	494,5	72,4	100,3	439,3	383,7	372,4	270,3	311,6	939,8	0,0	657,5	0,0
18,0	185,0	15,1	0,0	6,7	348,8	489,7	72,1	99,6	432,6	376,5	368,2	261,6	305,4	929,2	0,0	653,0	0,0
18,0	186,0	15,0	0,0	6,8	344,8	484,9	72,1	99,3	428,3	372,3	364,6	250,0	301,0	919,9	0,0	649,8	0,0
20,0	187,0	15,0	0,0	7,2	335,9	480,2	72,2	98,8	420,3	368,5	360,8	251,0	296,7	906,8	0,0	651,7	0,0
21,0	188,0	14,9	0,0	7,8	334,5	476,6	72,5	98,1	414,3	362,8	356,8	247,0	291,4	899,2	0,0	662,0	0,0
22,0	189,0	14,8	0,0	8,3	330,5	473,0	72,4	97,9	409,6	359,2	352,5	243,3	287,6	901,2	0,0	669,1	0,0
23,0	190,0	14,7	0,0	8,7	326,8	469,8	72,5	98,5	404,7	355,0	349,2	240,7	284,4	905,0	0,0	676,2	0,0
24,0	191,0	14,7	0,0	9,0	323,3	466,8	72,5	98,1	400,5	350,6	346,0	238,2	281,1	908,8	0,0	681,3	0,0
25,0	192,0	14,6	0,0	9,3	320,0	463,7	72,5	98,0	396,8	347,6	342,0	235,5	278,0	912,9	0,0	687,2	0,0
26,0	193,0	14,5	0,0	9,4	317,2	460,8	72,6	97,6	393,6	345,1	338,5	233,7	275,1	917,8	0,0	690,3	0,0
27,0	194,0	14,4	0,0	9,6	314,6	458,5	72,5	97,2	390,7	342,4	335,9	232,1	272,2	920,9	0,0	697,9	0,0
28,0	195,0	14,4	0,0	10,0	312,7	455,9	72,9	96,8	388,3	340,7	333,5	229,9	271,2	926,5	0,0	702,7	0,0
29,0	196,0	14,3	0,0	10,2	310,2	454,2	73,0	96,1	386,5	337,0	330,5	228,7	268,5	933,4	0,0	706,4	0,0
30,0	197,0	14,2	0,0	10,4	308,2	452,3	73,2	95,9	384,3	334,2	328,5	227,1	267,1	941,4	0,0	713,0	0,0
31,0	198,0	14,1	0,0	10,6	306,6	450,4	73,3	95,7	383,4	331,6	327,0	225,7	265,2	946,4	0,0	720,0	0,0
32,0	199,0	14,1	0,0	10,8	304,8	448,8	73,5	96,7	382,0	329,3	324,7	224,6	263,5	953,8	0,0	726,5	0,0
33,0	200,0	14,0	0,0	11,2	303,0	447,2	73,6	95,8	380,4	327,4	322,2	223,2	261,7	963,0	0,0	738,0	0,0
34,0	201,0	13,9	0,0	11,6	301,5	446,8	73,6	96,1	379,7	325,1	320,9	221,8	259,7	975,7	0,0	760,3	0,0
35,0	202,0	13,8	0,0	12,4	299,8	446,1	73,5	95,6	379,3	323,2	318,0	220,5	257,8	988,7	0,0	776,7	0,0
36,0	203,0	13,7	0,0	12,9	298,7	445,6	73,4	95,2	380,1	322,4	314,8	219,6	256,3	1000,1	0,0	788,1	0,0
37,0	204,0	13,6	0,0	13,3	297,3	445,5	73,4	94,9	380,1	320,9	312,4	218,6	254,5	1007,4	0,0	794,6	0,0
38,0	205,0	13,5	0,0	13,6	296,0	445,2	73,4	94,7	380,3	319,3	310,3	217,2	253,0	1018,1	0,0	801,5	0,0
39,0	206,0	13,4	0,0	13,6	295,4	445,1	73,4	94,5	381,4	318,4	308,7	216,3	252,1	1020,2	0,0	800,8	0,0
40,0	207,0	13,3	0,0	13,6	294,9	445,9	73,5	94,3	382,6	317,8	307,6	215,2	251,2	1029,3	0,0	814,3	0,0
41,0	208,0	13,3	0,0	14,1	294,5	446,0	73,6	94,7	384,0	316,3	306,8	214,8	250,7	1040,2	0,0	827,0	0,0
42,0	209,0	13,1	0,0	14,7	293,6	446,7	73,8	94,7	385,3	314,1	305,9	213,5	249,1	1054,0	0,0	844,8	0,0
43,0	210,0	13,1	0,0	15,4	292,9	448,0	73,8	94,9	386,6	312,3	305,0	212,4	248,1	1075,7	0,0	866,8	0,0
44,0	211,0	12,9	0,2	16,2	292,1	450,0	73,8	94,8	388,2	310,1	304,4	211,4	246,2	1087,0	0,0	889,7	0,0
45,0	212,0	12,8	0,4	16,5	291,8	451,7	73,7	94,8	390,9	309,7	303,8	210,7	245,0	1088,0	0,0	934,3	0,0
46,0	213,0	12,7	0,4	16,9	291,4	452,7	73,8	94,9	392,3	308,9	301,3	210,6	244,0	1076,4	0,0	1021,7	0,0
47,0	214,0	12,6	0,6	16,5	291,3	456,0	73,8	94,6	395,4	308,6	300,0	210,1	242,6	1067,0	0,0	1010,3	0,0
48,0	215,0	12,5	0,7	16,4	291,3	458,8	73,7	94,4	398,1	308,0	299,0	209,5	241,8	1060,0	0,0	982,9	0,0
49,0	216,0	12,3	0,7	16,4	291,2	459,5	73,7	94,2	400,7	307,3	297,8	209,0	241,1	1060,9	0,0	978,2	0,0
50,0	217,0	12,2	0,6	16,4	291,5	461,3	74,0	93,8	403,1	307,3	297,7	207,9	241,7	1065,0	0,0	964,9	0,0
51,0	218,0	12,1	0,5	16,5	291,6	464,4	74,0	94,7	406,1	306,0	298,2	207,4	240,3	1063,8	0,0	969,9	0,0
52,0	219,0	12,0	0,5	16,5	291,4	464,5	74,1	94,5	408,3	304,6	298,0	207,2	238,9	1071,0	0,0	977,8	0,0
53,0	220,0	11,9	0,4	16,5	291,6	466,0	74,0	94,5	411,3	303,0	298,9	207,0	237,6	1083,7	0,0	963,7	0,0
54,0	221,0	11,8	0,5	16,5	292,2	466,0	74,1	94,5	414,5	303,7	298,5	206,6	237,7	1076,8	0,0	995,9	0,0
55,0	222,0	11,7	0,6	16,3	292,0	467,6	74,1	93,8	416,8	303,0	297,7	206,4	236,1	1083,8	0,0	993,2	0,0
56,0	223,0	11,5	0,6	16,3	291,8	469,6	74,2	93,8	418,2	302,5	296,9	206,1	235,2	1085,1	0,0	987,0	0,0
57,0	224,0	11,5	0,6	16,2	292,0	471,4	74,1	93,9	420,6	302,6	296,6	205,8	234,7	1084,7	0,0	1008,7	0,0
58,0	225,0	11,3	0,7	16,2	292,3	471,9	74,2	93,6	422,7	302,0	296,8	205,5	234,2	1085,0	0,0	1048,5	0,0
59,0	226,0	11,2	0,7	16,1	292,2	472,3	74,2	93,8	424,1	301,6	296,3	205,2	233,6	1078,8	0,0	993,0	0,0
60,0	227,0	11,1	0,8	16,1	292,6	475,4	74,3	94,1	425,3	301,5	297,7	205,5	234,0	1089,1	0,0	1171,2	0,0
61,0	228,0	11,0	0,8	16,1	292,0	477,4	74,2	94,2	428,9	299,9	297,7	204,9	233,0	1073,0	0,0	1331,4	0,0
62,0	229,0	10,9	0,3	16,4	293,3	478,6	74,4	94,4	429,1	299,6	300,8	204,4	232,5	1068,7	0,0	1329,0	0,0
63,0	230,0	10,8	0,2	15,9	293,1	478,3	74,3	94,5	430,5	298,2	301,8	204,2	231,0	1061,2	0,0	1279,4	0,0
64,0	231,0	10,7	0,7	15,1	293,2	478,5	74,3	94,1	432,7	298,0	301,3	204,1	229,8	1044,3	0,0	1254,2	0,0
65,0	232,0	10,7	0,4	13,9	293,2	477,6	74,3	93,6	433,8	297,9	300,9	204,1	229,2	1035,5	0,0	1192,7	0,0
66,0	233,0	10,6	0,3	14,1	293,4	476,5	74,4	93,7	435,1	298,4	300,2	204,4	228,7	1018,7	0,0	1170,5	0,0
67,0	234,0	10,5	0,1	13,2	292,8	475,8	74,3	93,5	435,7	297,9	298,7	204,0	227,8	1013,5	0,0	1151,0	0,0
68,0	235,0	10,5	0,1	13,2	292,6	474,4	74,0	93,3	436,2	297,8	297,5	204,2	227,5	1003,5	0,0	1128,7	0,0
69,0	236,0	10,4	0,1	12,8	292,2	472,5	74,1	93,8	436,4	297,3	296,6	203,8	227,0	1			

126.0	293.0	6.4	0.2	13.7	300.3	471.2	75.4	93.2	448.0	327.0	307.8	210.3	208.4	1167.8	0.0	950.1
127.0	294.0	6.4	0.2	13.8	300.4	471.0	75.2	93.5	448.0	327.5	308.3	210.5	207.7	1171.5	0.0	953.5
128.0	295.0	6.3	0.2	14.0	300.4	470.7	75.0	93.6	448.1	327.6	308.3	210.7	207.2	1174.1	0.0	959.8
129.0	296.0	6.3	0.2	14.1	300.4	471.1	75.3	93.3	448.0	328.0	308.3	210.8	207.2	1177.7	0.0	964.3
130.0	297.0	6.2	0.2	14.2	300.0	470.7	75.2	92.4	444.0	329.2	307.1	211.2	207.2	1181.9	0.0	973.8
131.0	298.0	6.2	0.2	14.4	301.1	471.5	75.1	93.0	449.0	329.8	308.1	211.3	207.5	1184.6	0.0	976.5
132.0	299.0	6.1	0.2	14.5	301.2	471.3	75.0	92.9	449.2	330.0	308.0	211.8	207.0	1185.7	0.0	976.4
133.0	300.0	6.0	0.2	14.5	301.5	471.3	75.1	92.6	450.3	331.5	306.8	211.7	207.3	1186.6	0.0	978.2
134.0	301.0	6.0	0.2	14.5	301.6	471.0	75.1	92.6	450.7	331.4	307.4	212.0	206.7	1187.3	0.0	980.7
135.0	302.0	5.9	0.2	14.5	302.2	472.3	75.1	92.4	451.5	332.1	307.9	212.4	206.9	1188.9	0.0	982.1
136.0	303.0	5.9	0.2	14.4	302.6	472.4	75.1	92.8	452.4	332.6	308.5	212.5	206.8	1188.4	0.0	983.4
137.0	304.0	5.8	0.2	14.5	302.8	472.2	75.4	92.7	453.1	332.6	308.5	212.8	206.8	1187.0	0.0	980.3
138.0	305.0	5.8	0.2	14.4	303.1	471.9	75.4	93.3	453.8	333.2	309.1	213.4	206.2	1181.5	0.0	975.2
139.0	306.0	5.7	0.1	14.3	303.2	472.3	75.3	93.4	454.7	332.8	309.6	213.5	205.4	1181.1	0.0	973.6
140.0	307.0	5.6	0.1	14.5	303.4	472.1	75.2	93.2	455.2	333.7	309.2	213.6	205.5	1180.3	0.0	973.1
141.0	308.0	5.6	0.1	14.5	303.6	472.7	75.3	92.9	454.8	334.6	309.2	214.1	205.5	1180.5	0.0	971.2
142.0	309.0	5.5	0.1	14.4	303.5	472.0	75.2	93.0	455.0	334.4	309.0	214.2	205.2	1179.1	0.0	971.6
143.0	310.0	5.5	0.1	14.3	303.9	471.9	75.2	92.6	455.5	334.8	309.6	214.4	205.0	1180.5	0.0	973.6
144.0	311.0	5.4	0.1	14.4	303.8	472.3	75.3	92.6	455.8	334.8	309.0	214.8	204.8	1180.5	0.0	972.2
145.0	312.0	5.4	0.1	14.4	304.0	471.7	75.2	92.9	455.8	334.9	309.6	215.1	204.5	1182.0	0.0	976.3
146.0	313.0	5.3	0.1	14.5	304.5	472.9	75.1	92.5	455.9	336.4	309.8	215.4	205.0	1182.9	0.0	978.2
147.0	314.0	5.2	0.1	14.5	305.0	472.6	75.2	92.4	456.5	336.5	311.0	215.6	205.1	1184.6	0.0	981.2
148.0	315.0	5.2	0.1	14.6	304.8	473.7	75.3	92.6	456.6	334.7	312.2	216.0	204.2	1185.1	0.0	982.3
149.0	316.0	5.1	0.1	14.7	305.2	472.8	75.5	92.8	456.7	336.0	312.3	216.5	204.3	1186.0	0.0	986.1
150.0	317.0	5.1	0.1	14.7	305.5	472.8	75.6	93.1	457.4	336.7	312.4	216.8	204.0	1186.9	0.0	986.8
151.0	318.0	5.0	0.1	14.7	305.3	473.1	75.5	92.9	457.1	336.8	311.7	217.3	203.7	1186.5	0.0	985.0
152.0	319.0	5.0	0.1	14.6	305.9	472.9	75.5	92.9	457.5	337.7	312.8	217.4	204.2	1183.7	0.0	981.8
153.0	320.0	4.9	0.1	14.4	305.9	472.3	75.5	92.8	457.4	337.7	312.2	217.8	204.3	1181.0	0.0	978.4
154.0	321.0	4.8	0.1	14.4	306.2	472.9	75.5	92.6	457.6	337.8	312.8	218.4	204.3	1177.8	0.0	972.1
155.0	322.0	4.8	0.1	14.1	306.3	472.2	75.3	92.6	457.8	338.9	312.2	218.3	204.5	1177.1	0.0	965.0
156.0	323.0	4.8	0.1	14.0	306.3	471.4	75.1	92.3	457.5	338.0	312.8	218.9	204.1	1169.9	0.0	960.2
157.0	324.0	4.7	0.1	13.9	306.6	471.7	75.2	92.4	457.5	339.0	313.3	219.0	204.2	1166.5	0.0	955.9
158.0	325.0	4.7	0.1	13.8	306.7	471.8	75.2	92.4	457.1	339.4	313.6	219.2	204.4	1163.4	0.0	952.0
159.0	326.0	4.6	0.1	13.7	307.1	471.5	74.9	92.2	456.9	339.3	315.0	219.3	204.9	1160.4	0.0	948.4
160.0	327.0	4.6	0.1	13.6	307.0	470.3	75.0	92.8	456.5	338.0	316.3	219.7	204.3	1157.2	0.0	948.3
161.0	328.0	4.5	0.1	13.7	307.4	469.6	75.4	93.0	455.8	339.3	317.1	220.4	204.3	1155.2	0.0	948.4
162.0	329.0	4.5	0.1	13.6	307.2	468.7	75.4	92.8	454.8	339.7	316.9	220.5	204.3	1155.3	0.0	950.4
163.0	330.0	4.4	0.1	13.7	307.7	468.8	75.5	92.8	454.3	340.5	317.8	221.0	204.8	1154.4	0.0	949.7
164.0	331.0	4.4	0.1	13.7	307.7	468.7	75.5	92.4	453.3	341.1	318.1	221.5	204.7	1155.5	0.0	951.5
165.0	332.0	4.4	0.1	13.7	307.6	468.9	75.4	92.5	452.5	340.8	318.0	221.7	205.1	1157.1	0.0	955.4
166.0	333.0	4.3	0.1	13.8	307.6	468.2	75.0	92.3	452.0	340.7	318.7	221.9	204.6	1158.1	0.0	957.6
167.0	334.0	4.2	0.1	13.7	307.8	467.2	75.4	92.2	451.9	340.8	319.5	222.1	204.9	1154.9	0.0	948.6
168.0	335.0	4.2	0.1	13.5	307.9	466.8	75.5	92.2	451.2	341.5	319.2	222.4	205.2	1149.7	0.0	941.5
169.0	336.0	4.2	0.1	13.2	308.1	466.6	75.4	91.5	450.6	341.9	319.4	223.2	205.3	1146.3	0.0	938.3
170.0	337.0	4.1	0.1	13.0	308.0	465.2	75.3	91.8	449.9	342.8	318.8	223.1	205.3	1137.2	0.0	921.8
171.0	338.0	4.1	0.0	12.5	308.2	464.5	75.0	91.9	449.5	342.6	320.0	223.0	205.8	1122.8	0.0	906.6
172.0	339.0	4.1	0.0	12.1	307.7	463.6	75.2	92.2	448.2	340.9	320.8	222.7	204.9	1117.4	0.0	897.0
173.0	340.0	4.0	0.0	11.9	307.7	463.1	75.7	91.9	446.7	341.5	321.2	224.1	205.1	1099.0	0.0	887.1
174.0	341.0	4.0	0.0	11.7	307.2	459.9	75.5	92.3	444.6	340.7	321.8	224.1	204.7	1092.3	0.0	884.2
175.0	342.0	4.0	0.0	11.7	307.1	458.6	75.6	92.1	442.9	342.0	321.0	224.9	204.6	1086.0	0.0	881.3
176.0	343.0	3.9	0.0	11.7	307.1	457.5	75.6	92.0	441.3	342.7	321.0	225.0	205.4	1081.3	0.0	876.6
177.0	344.0	3.9	0.0	11.7	306.8	456.4	75.3	91.9	439.6	342.8	320.8	225.4	205.3	1075.0	0.0	874.1
178.0	345.0	3.9	0.0	11.6	306.7	455.1	75.4	91.7	437.9	344.0	320.4	225.7	205.7	1067.5	0.0	865.6
179.0	346.0	3.8	0.0	11.4	306.3	453.6	75.5	91.5	435.9	342.9	321.3	225.7	205.6	1056.4	0.0	854.3
180.0	347.0	3.8	0.0	11.1	306.0	451.7	75.4	91.4	433.6	343.2	322.5	226.1	205.6	1050.1	0.0	846.9
181.0	348.0	3.8	0.0	11.0	305.4	450.2	75.3	91.3	431.7	343.2	320.7	226.2	205.5	1044.4	0.0	840.2
182.0	349.0	3.8	0.0	11.0	305.2	447.9	75.0	91.1	429.5	343.3	320.9	226.7	205.5	1034.5	0.0	832.0
183.0	350.0	3.7	0.0	10.9	305.1	447.0	75.4	90.8	427.3	343.8	321.1	226.9	206.3	1026.3	0.0	823.5
184.0	351.0	3.7	0.0	10.8	304.4	444.8	75.1	91.7	424.9	343.1	321.4	226.9	205.9	1017.8	0.0	819.9
185.0	352.0	3.7	0.0	10.8	304.0	443.1	75.5	91.3	422.4	343.7	320.3	227.0	206.5	1010.2	0.0	815.9
186.0	353.0	3.6	0.0	10.6	303.8	440.9	75.4	90.9	420.2	344.7	320.1	227.4	206.5	1004.2	0.0	811.3
187.0	354.0	3.6	0.0	10.6	303.1	440.1	75.4	90.9	418.1	344.3	321.5	227.6	205.9	998.9	0.0	807.6
188.0	355.0	3.6	0.0	10.6	302.6	438.6	75.5	91.1	415.1	345.0	320.0	227.9	206.0	994.3	0.0	805.5
189.0	356.0	3.6	0.0	10.5	302.5	436.9	75.2	91.1	413.8	345.3	318.9	228.3	206.2	989.6	0.0	803.5
190.0	357.0	3.5	0.0	10.5	302.4	435.0	75.2	91.0	411.6	345.9	319.3	228.5	206.6	985.1	0.0	800.4
191.0	358.0	3.5	0.0	10.4	301.6	433.3	75.3	90.5	409.3	344.7	319.3	228.7	205.8	981.2	0.0	799.1
192.0	359.0	3.5	0.0	10.4	301.0	430.5	75.2	90.3	406.9	344.7	318.8	228.8	205.6	978.0	0.0	798.6
193.0	360.0	3.5	0.0	10.4	301.0	429.2	75.1	90.3	404.7	346.1	318.7	229.1	206.3	975.1	0.0	796.8
194.0	361.0	3.5	0.0	10.4	300.6	426.9	74.9	90.2	402.9	346.0	318.4	229.1	206.4	972.7	0.0	794.7
195.0	362.0	3.4	0.0	10.4	300.4	425.5	75.3	90.0	401.1	346.2	318.0	229.7	207.0	970.1	0.0	792.7
196.0	363.0	3.4	0.0	10.4	300.4	423.1	75.2	89.8	399.8	347.1	317.8	229.8	207.6	967.3	0.0	791.2
197.0	364.0	3.4	0.0	10.4	299.7	421.9	75.2	90.6	397.7	346.1	318.2	229.9	206.9	965.2	0.0	791.9
198.0	365.0	3.4	0.0	10.5	299.6	421.0	75.4	90.3	396.1	347.0	317.2	230.7	207.1	962.7	0.0	788.5
199.0	366.0	3.4	0.0	10.4	299.1	419.5	75.3	90.4	394.4	346.9						

255.0	422.0	2,3	0,0	10,1	289,5	373,9	75,1	87,6	352,1	347,3	304,5	235,0	208,7	884,5	0,0	727,2
256.0	423.0	2,3	0,0	10,1	289,5	374,6	74,7	87,4	352,0	347,5	304,4	235,3	208,5	883,6	0,0	727,8
257.0	424.0	2,2	0,0	10,1	289,0	373,8	74,6	87,2	351,1	346,7	304,3	234,5	208,3	882,9	0,0	727,8
258.0	425.0	2,2	0,0	10,0	288,5	373,8	74,5	87,1	350,9	347,0	304,3	234,3	208,7	880,7	0,0	727,1
259.0	426.0	2,2	0,0	10,0	288,3	373,3	74,5	86,9	350,8	346,6	303,1	234,1	208,3	878,7	0,0	725,1
260.0	427.0	2,2	0,0	10,0	288,3	372,8	74,4	86,6	350,2	346,1	302,6	234,0	208,6	877,7	0,0	724,2
261.0	428.0	2,1	0,0	10,0	288,2	372,0	74,6	86,6	349,8	345,6	302,6	234,0	208,9	877,7	0,0	723,5
262.0	429.0	2,1	0,0	10,0	287,9	370,6	74,8	86,6	349,4	344,9	302,2	233,3	209,8	877,2	0,0	723,0
263.0	430.0	2,1	0,0	10,0	287,9	370,8	74,9	87,0	348,8	345,3	301,5	233,9	210,0	876,7	0,0	723,6
264.0	431.0	2,1	0,0	10,1	287,7	371,6	75,1	87,5	348,5	344,2	301,6	233,8	210,4	875,3	0,0	722,7
265.0	432.0	2,1	0,0	10,0	287,6	370,5	74,6	87,4	347,7	344,5	300,7	233,8	211,0	873,3	0,0	720,9
266.0	433.0	2,1	0,0	10,3	287,2	370,1	75,0	87,3	347,4	343,8	300,4	233,5	210,8	835,4	0,0	705,9
267.0	434.0	2,1	0,0	10,1	287,1	369,1	75,1	87,2	346,6	343,8	300,5	233,8	210,8	809,9	0,0	700,1
268.0	435.0	2,0	0,0	10,2	286,3	367,5	75,0	87,1	345,0	342,8	299,8	233,5	210,5	798,1	0,0	699,1
269.0	436.0	2,0	0,0	10,2	285,9	366,0	75,1	86,9	343,3	342,4	299,4	233,3	211,2	791,4	0,0	695,4
270.0	437.0	2,0	0,0	10,2	285,3	363,5	75,0	86,7	341,5	341,6	299,4	233,3	210,8	787,6	0,0	696,1
271.0	438.0	2,0	0,0	10,2	285,0	362,0	74,9	86,6	339,9	341,6	298,6	233,8	211,0	784,4	0,0	694,1
272.0	439.0	1,9	0,0	10,2	284,3	361,2	74,9	86,3	337,8	340,9	298,3	233,4	211,0	783,1	0,0	692,2
273.0	440.0	1,9	0,0	10,2	284,0	359,9	74,8	86,2	336,2	340,5	298,0	234,0	211,5	782,4	0,0	691,5
274.0	441.0	1,9	0,0	10,1	283,8	359,3	74,9	85,9	335,0	340,6	298,3	233,7	211,5	781,6	0,0	690,8
275.0	442.0	1,9	0,0	10,1	284,0	358,6	75,0	85,9	333,8	341,2	297,9	234,1	212,9	781,1	0,0	689,1
276.0	443.0	1,9	0,0	10,0	283,6	357,3	75,1	86,8	332,8	340,0	298,4	234,1	212,8	780,0	0,0	687,5
277.0	444.0	1,9	0,0	9,9	283,7	356,1	75,2	86,5	331,7	339,9	298,7	234,5	213,4	781,9	0,0	685,1
278.0	445.0	1,8	0,0	9,9	283,3	355,3	74,9	87,0	330,4	339,6	298,2	235,1	213,0	775,5	0,0	683,3
279.0	446.0	1,8	0,0	10,7	283,3	354,4	75,1	86,9	329,5	339,8	298,2	235,6	213,5	752,1	0,0	697,2
280.0	447.0	1,8	0,0	11,6	283,2	352,4	75,1	86,9	328,6	339,3	298,3	236,1	213,5	741,9	0,0	705,6
281.0	448.0	1,7	0,0	11,6	283,1	351,1	75,0	86,7	327,5	339,7	297,3	236,4	214,5	740,3	0,0	704,2
282.0	449.0	1,7	0,0	11,3	282,4	350,0	74,9	86,4	325,7	338,4	296,2	236,9	214,6	738,5	0,0	711,3
283.0	450.0	1,7	0,0	11,1	281,7	348,3	74,8	86,2	324,0	337,4	295,3	236,7	214,4	738,5	0,0	714,6
284.0	451.0	1,6	0,0	11,0	281,5	347,8	74,9	86,2	322,8	336,6	295,0	237,8	215,4	736,7	0,0	714,8
285.0	452.0	1,6	0,0	10,9	281,1	347,3	74,9	85,9	321,6	335,2	295,5	236,6	215,6	736,1	0,0	719,4
286.0	453.0	1,6	0,0	10,9	280,8	345,9	75,0	85,6	320,8	333,7	295,5	238,2	216,0	733,9	0,0	719,9
287.0	454.0	1,6	0,0	10,8	280,4	344,8	74,9	85,5	320,1	332,1	295,7	238,2	215,9	733,2	0,0	711,7
288.0	455.0	1,6	0,0	10,7	279,9	344,0	74,9	85,3	319,2	330,4	295,9	237,8	216,1	732,4	0,0	707,6
289.0	456.0	1,6	0,0	10,7	279,7	342,9	75,0	85,4	318,3	329,2	296,4	237,7	216,9	731,4	0,0	697,7
290.0	457.0	1,5	0,0	10,6	279,6	342,1	75,0	86,1	317,5	328,0	297,6	237,5	217,2	731,5	0,0	699,3
291.0	458.0	1,5	0,0	10,6	279,5	340,7	75,1	85,7	317,0	326,7	296,2	237,3	218,4	731,3	0,0	696,4
292.0	459.0	1,5	0,0	10,6	279,3	340,2	75,0	85,4	316,6	324,2	295,0	237,8	218,8	730,8	0,0	695,4
293.0	460.0	1,5	0,0	10,7	279,2	339,4	75,1	86,0	316,1	323,5	299,1	237,8	219,6	731,0	0,0	694,3
294.0	461.0	1,5	0,0	10,7	279,0	338,7	75,1	86,1	315,7	322,4	299,7	237,8	219,4	730,9	0,0	689,3
295.0	462.0	1,4	0,0	10,5	278,8	337,9	74,8	85,7	315,1	320,9	299,9	238,5	219,8	730,5	0,0	682,0
296.0	463.0	1,4	0,0	10,5	278,7	337,5	74,9	85,7	314,4	319,9	300,1	238,5	220,4	730,5	0,0	680,7
297.0	464.0	1,4	0,0	10,5	278,4	336,1	75,0	85,6	313,8	319,0	299,9	238,4	220,8	730,0	0,0	677,1
298.0	465.0	1,4	0,0	10,5	278,2	336,4	74,9	85,4	313,1	317,9	299,7	238,5	221,6	729,2	0,0	676,0
299.0	466.0	1,3	0,0	10,4	277,8	335,4	74,8	85,0	312,8	316,1	300,4	238,0	221,7	729,2	0,0	674,2
300.0	467.0	1,3	0,0	10,4	278,0	334,9	74,8	84,7	312,6	315,3	300,4	238,4	222,1	730,3	0,0	674,1
301.0	468.0	1,3	0,0	10,4	277,8	334,2	74,8	84,8	312,6	314,7	301,9	238,7	223,7	730,5	0,0	673,5
302.0	469.0	1,3	0,0	10,4	277,9	333,6	74,8	84,6	311,9	313,4	302,7	238,1	223,3	732,0	0,0	673,4
303.0	470.0	1,3	0,0	10,4	278,1	333,0	74,8	84,8	311,6	312,8	303,0	238,2	224,7	732,4	0,0	670,2
304.0	471.0	1,3	0,0	10,3	278,0	332,5	74,9	85,1	311,5	311,8	303,4	237,9	225,4	732,9	0,0	670,8
305.0	472.0	1,2	0,0	10,4	278,2	331,3	75,0	85,0	311,3	311,6	303,8	237,8	226,3	733,3	0,0	671,4
306.0	473.0	1,2	0,0	10,4	278,1	331,6	74,9	85,5	310,9	310,8	303,9	238,2	226,5	734,4	0,0	669,5
307.0	474.0	1,2	0,0	10,4	277,8	331,5	74,9	85,5	310,5	310,1	303,2	237,7	227,3	733,7	0,0	669,1
308.0	475.0	1,2	0,0	10,3	277,8	330,7	75,0	85,4	310,3	309,3	303,6	237,7	228,0	732,9	0,0	665,8
309.0	476.0	1,2	0,0	10,3	278,0	330,3	74,7	85,2	309,9	308,8	304,1	238,2	229,0	732,5	0,0	663,1
310.0	477.0	1,2	0,0	10,3	277,8	328,9	74,9	85,0	309,3	307,9	304,5	238,5	228,9	720,8	0,0	661,6
311.0	478.0	1,2	0,0	10,3	277,5	328,0	74,9	84,8	308,7	307,4	304,4	238,0	229,1	720,3	0,0	657,3
312.0	479.0	1,1	0,0	10,3	277,5	328,6	74,7	84,7	308,1	306,9	304,4	238,1	229,8	721,2	0,0	660,9
313.0	480.0	1,1	0,0	10,2	277,2	328,0	74,7	84,7	307,6	305,8	304,5	238,3	230,0	721,7	0,0	660,3
314.0	481.0	1,1	0,0	10,2	277,1	327,5	74,8	84,4	307,4	304,7	305,1	237,7	230,6	722,2	0,0	661,6
315.0	482.0	1,1	0,0	10,2	277,1	327,1	74,9	84,4	307,1	303,8	306,0	238,0	230,9	723,9	0,0	663,0
316.0	483.0	1,1	0,0	10,3	276,9	326,4	74,9	84,4	306,8	303,0	305,9	237,5	231,1	724,3	0,0	657,9
317.0	484.0	1,1	0,0	10,1	277,0	325,9	74,9	84,6	306,3	302,6	306,6	237,9	231,9	725,0	0,0	654,9
318.0	485.0	1,0	0,0	10,1	276,9	325,8	75,0	85,1	306,5	302,2	306,1	237,5	232,4	723,9	0,0	656,1
319.0	486.0	1,0	0,0	10,1	276,9	325,0	75,1	84,7	306,1	301,5	305,5	237,3	233,9	723,7	0,0	654,8
320.0	487.0	1,0	0,0	10,1	276,8	324,6	74,8	85,2	305,9	301,3	305,5	237,1	234,2	723,6	0,0	656,3
321.0	488.0	1,0	0,0	10,1	276,9	324,0	74,9	85,1	305,5	301,1	305,3	237,8	234,6	724,0	0,0	656,2
322.0	489.0	0,9	0,0	10,1	276,7	322,6	74,7	84,9	305,3	299,9	305,3	237,8	235,0	724,4	0,0	655,0
323.0	490.0	1,0	0,0	10,0	276,5	322,7	74,6	84,8	305,0	299,6	305,0	237,6	235,5	723,3	0,0	654,4
324.0	491.0	0,9	0,0	9,9	276,7	322,3	74,5	84,5	304,9	299,4	305,0	237,6	236,4	721,8	0,0	651,1
325.0	492.0	0,9	0,0	9,9	276,3	322,8	74,8	84,6	304,4	298,9	304,4	237,3	236,3	721,5	0,0	649,5
326.0	493.0	0,9	0,0	9,9	276,3	323,3	74,9	84,6	304,8	298,3	305,0	237,8	236,8	722,5	0,0	649,4
327.0	494.0	0,9	0,0	9,9	276,3	323,0	74,8	84,1	304,2	297,6	305,2	237,2	237,0	723,1	0,0	650,0
328.0	495.0	0,9	0,0	9,9	276,2	322,3	74,7	84,1	304,1	297,6	304,7	236,7	237,8	723,3	0,0	650,1
32																

Manufacturer: icc
 Model: opel+ 3c

Run: 1
 Project #: pi 20161
 Test Duration: 380 min

	HHV	LHV
Eff	68,84%	74,40%
Comb Eff	97,95%	97,95%
HT Eff	70,28%	75,96%
Output	14 313	kJ/h
Burn Rate	1,05	kg/h
Grams CO	219	g
Input	20 793	kJ/h
MC wet	17,62	

Note: In the "Input data", "Calc. % O₂", "Fuel Properties", and "Mass Balance" columns, [e], [d], [g], [a], [b], [c], [h], [u], [w], [j], and [k] refer to their respective variables in Clauses 13.7.3

Ultimate CO₂
 CO_{2-ut} 19,64
 F_o
 1,063

	Air Fuel Ratio (A/F)	
Overall Heating Efficiency:	68,84%	Dry Molecular Weight (M _d) 30,18
Combustion Efficiency:	97,95%	Dry Moles Exhaust Gas (N _r): 339,17
Heat Transfer Efficiency:	70,28%	Air Fuel Ratio (A/F) 9,73

Heat Output:	13 577 Btu/h	14 313 kJ/h
Heat Input:	19 724 Btu/h	20 793 kJ/h
Burn Duration:	6,33 h	
Burn Rate:	2,31 lb/h	1,050 kg/h
Stack Temp:	413,1 Deg. F	211,7 Deg. C

Date: 2018-02-14 Manufacturer: ICL Model: Opcl 4 3c
 Project #: pI 20/b1 Run: 1 Tech: MM Reviewer: NS

-	knudng + warm-up	7,6 LBS	START FAN
-	Fan off		
-	Bypass open		
-	Damper 90°		
-	At 7.00 LBS	close	DOOR
-	At 6.6 LBS	close	bypass
-	At 5.9 LBS (15 min)	Open	Fan High
-	At 4.6 LBS	close	Fan and insert preburn
-	At 4.5 LBS	close	Door
-	At 4.00 LBS	close	bypass
-	At 3.00 LBS	close	air inlet
-	At 1.5 LBS	15 min	open a Fan High
-	At 4.00 LBS	close	Fan and insert board
-	At 2 min	close	bypass
-	At @ 3:45	close	DOOR
-	At 5:20	close	air inlet
-	At 6 min	close	Damper 10°
-	At 15 min	open	Fan (High)
<p>after Boucher in from sur cold claped a 6 min</p>			

Date: 2018-02-14

Manufacturer: ICU

Model: 021+30

Project #: PI 20161

Run: 8 1 min

Tech: MM

Reviewer: [Signature]

Moisture Meter Calibration Check:

Equipment #	Time	12%	22%
<u>EM-1a1</u>	<u>7:00</u>	<u>ok</u>	<u>ok</u>

Pre-Test

Post-Test

Facility Conditions:

Air Velocity from less than 2 feet

<u>3</u> (max 50 Fpm)	<u>5</u> (max 50 Fpm)
-----------------------	-----------------------

Smoke Capture Check

<u>ok</u>	<u>ok</u>
-----------	-----------

Picture

<u>ok</u>	<u>ok</u>
-----------	-----------

Wood Heater Conditions:

Date Wood Heater Stack Cleaned

<u>2018-02-14</u>

Date Dilution Tunnel Cleaned

<u>2018-02-14</u>

Induced Draft Check (max 0.005 H2O)

<u>ok</u>

Traverse before ignition

<u>ok</u>

Flow Rate (40 cfm ±10%)

<u>ok</u>

Temperature System:

Ambient (65°-90°F)

<u>ok</u>	°F
-----------	----

Wood Heater Surface (±125°F)

<u>ok</u>	°F
-----------	----

Proportional Checks:

Thermocouple check

<u>ok</u>

Pitot Clean

<u>ok</u>

Pitot verification

<u>ok</u>

Sampling Train ID Numbers:

Probe

Train 1 st hour	Train 1	Train 2
<u>06</u>	<u>32</u>	<u>42</u>
<u>01</u>	<u>03</u>	<u>05</u>
<u>02</u>	<u>04</u>	<u>06</u>
<u>11</u>	<u>11</u>	<u>12</u>
<u>ok</u>	<u>ok</u>	<u>ok</u>

Filter Front

Filter Back

Filter Thermocouple

Filter (<90°F)

SAMPLING EQUIPMENT CHECK OUT

Date: 20180214 Manufacturer: ICL Model: Opcl + 3c
 Project #: PT 20161 Run: 1 Tech: MR Reviewer: NP

Leakage Checks Tunnel Samplers

	System 1 st hour		System 1		System 2	
	Pre-Test ASTM (-15) CSA B415 (-5)	Post-Test (max test)	Pre-Test ASTM (-15) CSA B415 (-5)	Post-Test (Max test)	Pre-Test ASTM (-15) CSA B415 (-5)	Post-Test (Max test)
Unplugged Flow Rate = .25cfm						
Vacuum (inches Hg.)	-15	-15	-15	-15	-15	-15
Final 1minute DGM (Liter)	623040.88	624997.56	623041.01	624997.95	564823.45	566511.36
Initial 1minute DGM (Liter)	623070.85	624997.86	623041.00	624997.92	564823.42	566811.31
Change © (Liter)	0.03	0	0.01	0.02	0.03	0.05
Allowable leakage .04 x Sample rate or 0.28Lpm CSA B415 (0.56)						
Check OK	OK	OK	OK	OK	OK	OK

Leakage Checks Flue Gas Sampler

Plugged Probe	Pre Test	Post Test
Vacuum (inches Hg.)	-5	-5
Rotometer Reading (mml/min.)	0	
Flow Rate (lpm)	1.5	1.5
Allowable (.02 x Sample Rate)	30	30
Check OK	OK	OK

Leakage Checks Pitot

Plugged Probe	Pre Test 3 H ₂ O static	Pre Test 0.4-0.5 H ₂ O velocity	Post Test 3 H ₂ O Static	Post Test 0.4-0.5 H ₂ O velocity
Vacuum (inches Hg.)	3	4	3	4
Check OK (no change after 15 sec.)	OK	OK	OK	OK

Date: 2015-02-14 Manufacturer: ICC Model: Opel + 3c
 Project #: PI 20161 Run: 1 Tech: mm Reviewer: DE

Scale Type	Audit		Measured Weight
	Equipment #	Weight	
Platform	EM-090	4.4 lbs, Class F	4.4 lbs
Wood	EM-090	4.4 lbs, Class F	4.4 lbs
Analytical	EM-128	100 mg, Class S	100 mg
Analytical	EM-129	200 g, Class S	200 g

LIMITS OF WEIGHT RANGES

ANALYTICAL SCALE: 50%-150% of dry filter weight, ± 0.1 mg
PLATFORM SCALE..... 20%-80% of ideal test load weight, ± 0.1 lbs or 1%
WOOD SCALE..... 20%-80% of ideal test load weight, ± 0.01 lbs or 1%

Date: 2018-02-14 Manufacturer: ICC Model: Opel 3c
 Project #: p7 20161 Run: 1 Tech: MM Reviewer: NP

FOR TUNNELS < 12 in

Barometric pressure (P_{bar}) 1020 (KPa.) Static pressure (P_q) 0.36 (inches w.c.)
 Inside diameter: Port A _____ Port B _____
 Tunnel cross sectional area: .1963Ft²
 Pitot tube type: Standard

Traverse Point	Position (inches)			Velocity Head Δ_p (inches H ₂ O)	Tunnel Temperature (°F)
	6 po	7 po	8 po		
A - Centroid	3.00	3.50	4	0.063	68.52
B - Centroid	3.00	3.50	4	0.062	68.40
A-1	0.40	0.50	0.50	0.053	68.51
A-2	1.50	1.75	2	0.064	68.48
A-3	4.50	5.25	6	0.059	68.46
A-4	5.60	6.5	7.5	0.052	68.54
B-1	0.40	0.50	0.50	0.051	68.38
B-2	1.50	1.75	2	0.058	68.24
B-3	4.50	5.25	6	0.058 0.055	68.32
B-4	5.60	6.5	7.5	0.058 0.051	68.30
				0.054 AVERAGE	

$$v_s = K_p C_p (\sqrt{\Delta p})_{avg} \sqrt{\frac{(T_s)_{avg}}{P_s M_s}}$$

Where,

C_p = pitot tube coefficient, dimension less = 0.99 for standard pitot.

Δ_p = manometer reading (inches H₂O)

T_s = average absolute dilution tunnel temperature (°F + 460)

P_s = absolute dilution tunnel gas pressure or $P_{bar} + P_{qs}$

P_q = static pressure in H₂O
 { 13.6 }

M_s = 28.56, wet molecular weight of stack gas (alternatively, it may be measured)

K_p = 85.49 pitot tube constant, (conversion factor for English units)

$(\Delta_p)_{avg}$ = average of the square roots of the velocity heads (Δ_p) measured at each traverse point.

CONTINUOUS ANALYZERS

Date: 2018-02-14 Manufacturer: ICL Model: Opel + 3C
 Project #: PT 20161 Run: 1 Tech: mm Reviewer: R

Pre-Test (Adjust and Record)

	ZERO		SPAN <u>mm</u>		CAL. (Record Only)	
	Actual	Should Be	Actual	Should Be	Actual	Should Be
CO	0	0	2999	3000	1005	100
Tolerance CO		+/- 0.02		+/- 0.15		+/- 0.05
CO ₂	0	0	1791	1800	974	1000
Tolerance CO ₂		+/- 0.02		+/- 0.5		+/- 0.5
O ₂ informative CSA B415 calculated value	na	na	na	na	na	na
	Actual	Should Be	Actual	Should Be	Actual	Should Be

Post Test (Record Only)

	Zero	Span	Cal.	Zero Drift	Limit	Span Drift	Limit	Cal. Drift	Limit	OK	Not OK*
CO	0	2995	1000	0	0.02	0.004	0.15	0.005	0.05	✓	
CO ₂	0.01	17.95	978	0.01	0.02	0.004	0.5	0.04	0.5	✓	

TEST DATA LOG

Date: 2018-02-14 Manufacturer: ICL Model: opcl+ 3L
 Project #: PT 20161 Run: 1 Tech: MM Reviewer: AP

RAW DRY GAS METER READINGS

	System 1	System 2	Blank
Final (Liter)	624 996, 90	566 810, 29	792, 23
Initial (Liter)	623 041, 14	564 825, 85	760, 00

AMBIENT CONDITIONS

	Before	After
Barometer (kPa):	102,00	101,8
Dry Bulb (F):	66 38	67 86
Humidity (%):	243	211

Flow Meter

	Start	End
Flow meter reading	N.A	N.A

Flow Meter Verification

	Before	After
Flow meter Check (liters)	N.A	N.A
Scale Weight (Kg)	N.A	N.A

FUEL DATA

Date: 2018-02-14 Manufacturer: ICL Model: Opel + 3C
 Project #: PI 20161 Run: 1 Tech: MM Reviewer: DP

FUEL DESCRIPTION:

Type of wood:

PRE-TEST LOAD

Piece Size	Weight	Meter Moisture Content (% dry)*				
1 1/2 x 3 1/2 x 10 in.	0.998 lbs.	20.1	20.6	21.8	21.3	21.5
1 1/2 x 3 1/2 x 10 in.	1.028 lbs.	21.3	21.8	20.9	21.0	21.0
1 1/2 x 3 1/2 x 10 in.	1.000 lbs.	20.7	20.3	20.8	20.7	21.1
1 1/2 x 3 1/2 x 10 in.	0.946 lbs.	20.0	20.1	20.3	20.6	20.1
1 1/2 x 3 1/2 x 10 in.	1.062 lbs.	20.0	21.3	21.4	21.8	21.3
x x in.	lbs.					
1 1/2 x 3 1/2 x 11 in.	1.124 lbs.	22.3	22.6	22.1	22.4	22.3
1 1/2 x 3 1/2 x 11 in.	1.112 lbs.	22.1	22.4	21.3	21.4	21.3
1 1/2 x 3 1/2 x 11 in.	1.110 lbs.	21.6	21.7	21.7	21.5	21.5
1 1/2 x 3 1/2 x 11 in.	1.114 lbs.	22.0	21.9	21.7	21.6	21.8
1 1/2 x 3 1/2 x 11 in.	1.134 lbs.	20.8	21.1	21.0	20.9	20.6
1 1/2 x 3 1/2 x 11 in.	1.138 lbs.	19.7	19.3	19.8	19.4	19.8
1 1/2 x 3 1/2 x 11 in.	1.100 lbs.	20.6	20.3	20.8	20.9	21.0
1 1/2 x 3 1/2 x 11 in.	1.126 lbs.	20.8	21.1	21.6	21.7	21.8
1 1/2 x 3 1/2 x 11 in.	1.106 lbs.	22.1	22.3	22.3	22.6	22.3
1 1/2 x 3 1/2 x 11 in.	1.110 lbs.	21.8	21.1	21.2	21.2	21.4
1 1/2 x 3 1/2 x 11 in.	1.116 lbs.	20.8	20.7	20.6	20.8	20.9
1 1/2 x 3 1/2 x 11 in.	1.126 lbs.	20.6	20.9	21.1	20.9	21.3
1 1/2 x 3 1/2 x 11 in.	0.944 lbs.	14.2	20.4	20.1	19.9	19.6
x x in.	lbs.	20.4				
x x in.	lbs.					
x x in.	lbs.					
x x in.	lbs.					

TEST LOAD WEIGHT: 19244 lbs

FUEL DATA

Date: 2018-02-14 Manufacturer: 1CC Model: Opel + 3L
 Project #: PZ 2018 Run: 1 Tech: mm Reviewer: DP

FUEL DESCRIPTION:

Type of wood:

TEST LOAD

Piece Size	Weight	Meter Moisture Content (% dry)*				
1 1/2 x 3 1/2 x 15 1/2 in.	1,562 lbs.	200	199	190	198	199
1 1/2 x 3 1/2 x 15 1/2 in.	1,544 lbs.	191	191	193	192	191
1 1/2 x 3 1/2 x 15 1/2 in.	1,214 lbs.	213	211	216	210	210
1 1/2 x 3 1/2 x 15 1/2 in.	1,804 lbs.	239	238	238	239	237
3 1/2 x 3 1/2 x 15 1/2 in.	4,164 lbs.	220	216	218	219	213
3 1/2 x 3 1/2 x 15 1/2 in.	444 lbs.	221	223	221	219	220
1 1/2 x 3/4 x 5 in.	0,106 lbs.			196		
1 1/2 x 3/4 x 5 in.	0,100 lbs.			194		
1 1/2 x 3/4 x 5 in.	0,110 lbs.			199		
1 1/2 x 3/4 x 5 in.	0,106 lbs.			196		
1 1/2 x 3/4 x 5 in.	0,106 lbs.			193		
1 1/2 x 3/4 x 5 in.	0,102 lbs.			200		
1 1/2 x 3/4 x 5 in.	0,100 lbs.			206		
1 1/2 x 3/4 x 5 in.	0,108 lbs.			204		
1 1/2 x 3/4 x 5 in.	0,102 lbs.			201		
1 1/2 x 3/4 x 5 in.	0,104 lbs.			206		
1 1/2 x 3/4 x 5 in.	0,102 lbs.			208		
1 1/2 x 3/4 x 5 in.	0,108 lbs.			203		
1 1/2 x 3/4 x 5 in.	0,106 lbs.			201		
1 1/2 x 3/4 x 5 in.	0,104 lbs.			206		
1 1/2 x 3/4 x 5 in.	0,110 lbs.			209		
1 1/2 x 3/4 x 5 in.	0,100 lbs.			201		
1 1/2 x 3/4 x 5 in.	0,108 lbs.			208		
1 1/2 x 3/4 x 5 in.	0,098 lbs.			200		
1 1/2 x 3/4 x 5 in.	0,104 lbs.			213		
1 1/2 x 3/4 x 5 in.	0,104 lbs.			213		
1 1/2 x 3/4 x 5 in.	0,110 lbs.			214		

TEST LOAD WEIGHT: 1782 lbs Min 20%: 356 Max 25%: 445

mm ~~17806~~
mm 1778

Date: 2018-02-13 Manufacturer: 1cc Model: Opelt 36
 Project #: PI 20121 Run: 1 Tech: MA Reviewer: BP

Pre-test Weight Record		SYSTEM 1 - 1 st hour						SYSTEM 1						
Date	Time	Probe & Housing Number	Front Filter Number	Back Filter Number	gaskets	Probe & Housing Number	Front Filter Number	Back Filter Number	gaskets	Probe & Housing Number	Front Filter Number	Back Filter Number	gaskets	Blank
2018-02-13	17:00	613753	01242	01243	355538	1101778	01250	01261	351864	1101778	01250	01261	351864	01254
2018-02-14	10:00	613757	01241	01244	355537	1101779	01250	01261	351865	1101779	01250	01261	351865	01254
					355562									
					P.A.									

Post-test Weight Record		SYSTEM 1 - 1 st hour						SYSTEM 1						
Date	Time	Probe & Housing Number	Front Filter Number	Back Filter Number	gaskets	Probe & Housing Number	Front Filter Number	Back Filter Number	gaskets	Probe & Housing Number	Front Filter Number	Back Filter Number	gaskets	Blank
2018-02-14	20:00	613771	01257	01246	355562	1101791	01248	01257	351883	1101791	01248	01257	351883	01255
2018-02-22	8:00	613766	01254	01243	355551	1101786	01245	01255	351882	1101786	01245	01255	351882	01255
2018-02-26	8:00	613766	01254	01244	355551	1101786	01246	01256	351883	1101786	01246	01256	351883	01255
2018-03-01	8:00	613766	01255	01244	355551	1101786	01246	01256	351884	1101786	01246	01256	351884	01255



DILUTION TUNNEL PARTICULATE SAMPLER DATA

Date: 2018-02-13 Project #: PJ 20161 Run: 1 Manufacturer: 166 Model: Opel + 3C
 Tech: MM Reviewer: DSO

SYSTEM 2					
Pre-test Weight Record	Probe & Housing Number	Front Filter Number	Back Filter Number	gaskets	
Date: <u>2018-02-13</u> Time: <u>17:00</u>	<u>42</u>	<u>05</u>	<u>06</u>	<u>26</u>	
<u>2018-02-14</u> Time: <u>10:00</u>	<u>110 3102</u>	<u>01250</u>	<u>01276</u>	<u>35 5444</u>	
	<u>110 3102</u>	<u>01251</u>	<u>01277</u>	<u>35 5445</u>	

SYSTEM 2					
Post-test Weight Record	Probe & Housing Number	Front Filter Number	Back Filter Number	gaskets	
Date: <u>2018-02-13</u> Time: <u>20:00</u>	<u>42</u>	<u>05</u>	<u>06</u>	<u>26</u>	
<u>2018-02-22</u> Time: <u>8:00</u>	<u>110 3131</u>	<u>01288</u>	<u>01279</u>	<u>35 5476</u>	
<u>2018-02-26</u> Time: <u>8:00</u>	<u>110 3126</u>	<u>01284</u>	<u>01278</u>	<u>35 5464</u>	
<u>2018-03-01</u> Time: <u>8:00</u>	<u>110 3106</u>	<u>01284</u>	<u>01278</u>	<u>35 5464</u>	

Paramètres

Tous les facteurs de corrections et autres paramètres qui peuvent être modifiés par l'utilisateur du fichier sont regroupés ici.

Code verrouillage:

Description du test

Test standard	EPA
Run #	2
Date	15-02-2018
Technicien	M.M
Project #	PI 20161

Description de l'unité

Manufacturier	ICC	
Modèle	OPEL+ 3C	
Combustion system	Cat	
Appliance type	FIREPLACE	
Firebox volume	2,32	cu ft.
Appliance weight empty	N.A	lbs
Appliance weight full	N.A	lbs

Paramètres du test

Logging time	1	min
Manufacturer's rated heat output	N.A	BTU/h Donnée fournie par le manufacturier
Targeted category	1	
Targeted output	N.A	BTU/h
Cp steel	N.A	BTU/lb-°F

Échantillonnage

Blank sampling rate	0,20	cuft/min
Internal probe diameter	0,18	in.
Calibration Factor (DGM #1):	0,988	Dimensionless
Equipment number (DGM #1):	EM 178	
Calibration Factor (DGM #2):	0,988	Dimensionless
Equipment number (DGM #2):	EM 179	
Calibration Factor (DGM #3):	0,986	Dimensionless
Equipment number (DGM #3):	EM 070	Dimensionless

Tunnel

Targeted tunnel flow rate	140	scfm
Tunnel diameter	6	in.
Molecular weight	28,78	May be assumed to be 28,78 (EPA) Si B-415 = 29
Pitot tube type	Standard	
Pitot tube coefficient	0,99	Dimensionless

Project nu.	PI 20161
Date	15-02-2018
Technicien	M.M

Fuel data

Fuel type	Dimension	
Fuel specie	D. Fir	
HHV		19810,0 kJ/kg
%C		48,7
%H		6,9
%O		43,9
%Ash		0,5
HHV		8519,2 Btu/lb
LHV		7451,0 Btu/lb

Default Fuel Values		
	D. Fir	Oak/Maple
HHV	19 810	19 887
%C	48,73	50
%H	6,87	6,6
%O	43,9	42,9
%Ash	0,5	0,5
HHV (Btu/lb)	8519	8552
LHV (Btu/lb)	7451	7480

	Start	End
Barometer (kPa):	100,4	101
Barometer (in.Hg):	29,648109	29,82528877
Dry Bulb (F):	72,32	100,1
Humidity (%):	27,2	74,41
Air velocity (ft/min)	6	23,1

DGM #1	Final:	22140,725	cuft
	Initial:	22071,672	cuft
DGM #2	Final:	20088,167	cuft
	Initial:	20016,856	cuft
DGM room			

	Final:	626955,510	Liter
	Initial:	625000,150	Liter
	Final:	568833,540	Liter
	Initial:	566814,220	Liter
	Final:	824,830	cuft
	Initial:	793,800	cuft

Numéro de la ligne dans "Raw data" à partir duquel les données du VRAI test commencent

209

Autres données à rentrer: dans preload data, load data, traverse et filter set weight

Project nu.	PI 20161
Date	15-02-2018
Technicien	M.M

Filter set weight

	System 1 (g) 1st hour				System 1 (g)				System 2 (g)				Ambient blank (g)	Date	Heure
	probe	front	back	gasket	probe	front	back	gasket	probe	front	back	gasket	Filter		
Number	21	8	9	13	35	10	11	16	39	12	13	22	47		
Before (1)															
Before (2)															
Before (3)															
Before (4)															
Before (5)	108,7403	0,1269	0,1256	35,7161	109,2848	0,1291	0,1270	35,6608	110,2762	0,1252	0,1265	35,1082	0,1304	14/02/2018	17:00
Before (6)	108,7404	0,1270	0,1255	35,7160	109,2848	0,1290	0,1269	35,6607	110,2763	0,1252	0,1265	35,1081	0,1305	15/02/2018	10:00
After (1)	108,7424	0,1284	0,1241	35,7208	109,2858	0,1285	0,1266	35,6636	110,2793	0,1284	0,1241	35,1138	0,1306	15/02/2018	21:00
After (2)	108,7414	0,1280	0,1238	35,7194	109,2849	0,1282	0,1263	35,6623	110,2782	0,1280	0,1237	35,1125	0,1306	22/02/2018	08:00
After (3)	108,7415	0,1281	0,1239	35,7195	109,2849	0,1283	0,1264	35,6624	110,2772	0,1280	0,1237	35,1124	0,1306	26/02/2018	08:00
After (4)	108,7415	0,1281	0,1239	35,7195	109,2849	0,1283	0,1264	35,6624	110,2772	0,1280	0,1237	35,1124	0,1306	01/03/2018	08:00
After (5)															
After (6)	108,7415	0,1281	0,1239	35,7195	109,2849	0,1283	0,1264	35,6624	110,2772	0,1280	0,1237	35,1124	0,1306	01/03/2018	08:00
Difference	0,0011	0,0011	-0,0016	0,0035	0,0001	-0,0007	-0,0005	0,0017	0,0009	0,0028	-0,0028	0,0043	0,0001		
Total (mg)		4,1				4,7				5,2			0,1		
Total ajusté (mg)		4,00				4,60				5,10					

Project nu.	PI 20161
Date	15-02-2018
Technicien	

Tunnel Traverse Worksheet (for velocity calculations)

Static Pressure: 0,35 in. H2O
 Barometer: 29,900 in. Hg

Pour un tunnel de 12" et plus, prendre 6 lectures

	TUNNEL VELOCITY	TUNNEL TEMP	SQUARE ROOT
	In. wc	°F	
A center			0,0000
B center			0,0000
A1			0,0000
A2			0,0000
A3			0,0000
A4			0,0000
A5			0,0000
A6			0,0000
B1			0,0000
B2			0,0000
B3			0,0000
B4			0,0000
B5			0,0000
B6			0,0000
AVERAGE	#DIV/0!	#DIV/0!	0,0000

PITOT CONSTANT=
0,961

Pour un tunnel moins de 12", prendre 4 lectures

	TUNNEL VELOCITY	TUNNEL TEMP	SQUARE ROOT
	In. wc	°F	
A center	0,055	77,44	0,2345
B center	0,054	76,03	0,2324
A1	0,045	77,19	0,2121
A2	0,056	77,36	0,2366
A3	0,049	76,96	0,2214
A4	0,044	76,81	0,2098
B1	0,046	76,330	0,2145
B2	0,056	76,410	0,2366
B3	0,049	76,000	0,2214
B4	0,050	76,090	0,2236
AVERAGE	0,0504	76,6620	0,2243

Project nu.	PI 20161
Date	15-02-2018
Technicien	M.M

SFBA EPA EMISSION RESULTS

RESULTS

Average emission rate: 0,7 g/hr

Burn Rate : 1,088 Dry kg/hr

Test Duration: 367 min

PRESSURE FACTOR: DGM 1 0,96804
 DGM 2 0,96479
 DGM 3 0,99387

BAROMETRIC PRESSURE
 Average: 29,736699 in Hg
 Start: 29,648109 in Hg
 End: 29,825289 in Hg

TEMPERATURE FACTORS DGM 1 0,98480
 DGM 2 0,98461
 DGM 3 0,98784

DGM CONTROLLER VALUES

DGM 1 Final: 22140,725 Cuft
 Initial: 22071,672 Cuft

VOLUMES SAMPLED DGM 1 65,031 SCft
 DGM 2 66,958 SCft
 DGM 3 30,051 SCft

DGM 2 Final: 20088,167 Cuft
 Initial: 20016,856 Cuft

DGM #3 Final: 824,830 Cuft
 Initial: 793,800 Cuft

TOTAL TUNNEL VOLUME : 63185

TEMPERATURES

DGM 1 536,152 °R
 DGM 2 536,252 °R

SAMPLE RATIOS
 Sample Train 1: 971,621
 Sample Train 2: 943,652

CALIBRATION FACTORS

DGM 1 0,9879
 DGM 2 0,9884
 DGM #3 0,9864

Paticulate concentration
 Sample Train 1 **0,000072** g/dscf
 Sample Train 2 **0,000078** g/dscf
 Room **0,000003** g/dscf

TUNNEL FLOW RATE: 172,167 Dscfm

TOTAL EMISSIONS
 Sample Train 1 **4,36** g
 Sample Train 2 **4,70** g

PARTICULATE CATCH
 Total Sample Train 1: 4,70 mg
 Total Sample Train 2: 5,20 mg
 Total Sample Train 1 1st hour: 4,10 mg

EMISSION RATES
 Sample Train 1 **0,71** g/hr
 Sample Train 2 **0,77** g/hr

1st hour emission rate **3,98** g/hr

DEVIATION: 3,76%

Cs Train 1 Train 2
 7,227E-05 7,76603E-05

Elapsed Time min	Raw data row	Weight Remaining lbs	CO ₂			Flue Gas %	Room Temp °F	Tunnel Dry Bulb °F	Unit Top		Unit Back		Unit R.Side		Unit L.Side		Catalyst Down	Catalyst Center	Catalyst Up
			%	%	%				%	%	%	%	%	%	%	%			
0,00	209,00	17,8	0,1	10,4	306,5	511,2	72,3	167,4	403,6	316,6	317,6	259,2	235,5	446,3	0,0	496,2			
1,0	210,0	17,2	0,2	10,5	312,5	461,9	72,3	165,2	405,4	322,0	321,0	271,6	242,5	446,0	0,0	419,1			
2,0	211,0	16,9	0,3	10,6	317,2	576,2	72,3	162,9	407,4	326,5	324,1	280,0	242,0	445,8	0,0	710,8			
3,0	212,0	16,5	0,3	7,3	322,1	658,5	72,3	165,7	409,5	331,5	326,0	288,7	254,7	849,5	0,0	1060,3			
4,0	213,0	16,3	0,9	10,8	325,7	632,9	72,5	158,7	412,1	335,9	326,7	294,0	260,0	1070,2	0,0	902,0			
5,0	214,0	16,1	0,2	10,6	329,7	617,0	72,6	136,9	416,4	340,4	327,8	299,0	264,6	1055,5	0,0	868,8			
6,0	215,0	16,0	0,1	11,0	333,7	567,2	72,4	115,5	423,4	344,1	328,3	303,6	268,9	1055,8	0,0	802,0			
7,0	216,0	15,9	0,0	9,2	337,2	544,7	72,5	108,7	430,7	346,7	329,3	306,6	272,6	1001,1	0,0	735,4			
8,0	217,0	15,9	0,0	6,9	339,9	531,8	72,3	105,0	436,4	348,2	329,9	309,0	275,8	964,5	0,0	697,3			
9,0	218,0	15,8	0,0	6,3	341,9	522,5	72,1	102,5	439,9	348,7	330,6	311,4	278,7	942,0	0,0	674,3			
10,0	219,0	15,7	0,0	6,1	342,8	514,4	71,9	101,2	441,8	348,9	330,2	312,1	281,1	931,5	0,0	659,2			
11,0	220,0	15,7	0,0	6,0	343,6	507,6	72,3	100,5	442,3	349,0	330,2	313,1	283,3	919,8	0,0	646,6			
12,0	221,0	15,6	0,0	5,9	343,7	501,6	72,3	99,3	441,8	348,0	330,2	313,4	285,2	909,9	0,0	636,2			
13,0	222,0	15,6	0,0	5,8	343,7	495,7	72,3	99,2	440,5	348,0	329,4	313,6	287,1	901,0	0,0	627,7			
14,0	223,0	15,5	0,0	5,8	342,9	490,7	71,8	98,9	438,5	347,0	327,5	312,9	288,6	893,6	0,0	620,6			
15,0	224,0	15,5	0,0	5,9	339,0	485,3	72,3	97,2	437,7	346,2	327,3	312,4	285,4	887,9	0,0	617,2			
16,0	225,0	15,4	0,0	6,2	331,9	480,4	72,4	96,8	426,1	342,0	326,1	285,7	279,4	881,2	0,0	616,6			
17,0	226,0	15,3	0,0	6,4	324,9	475,7	72,4	96,5	418,5	336,4	323,5	273,9	272,3	876,3	0,0	615,2			
18,0	227,0	15,3	0,0	6,6	319,7	471,1	72,4	96,1	411,7	332,2	321,3	265,5	268,7	874,6	0,0	615,2			
19,0	228,0	15,2	0,0	6,7	314,8	466,9	72,4	95,5	405,8	328,5	318,3	258,0	261,7	867,0	0,0	615,1			
20,0	229,0	15,1	0,0	6,9	310,4	462,8	72,4	95,5	399,8	326,5	315,3	253,3	257,1	860,4	0,0	618,8			
21,0	230,0	15,1	0,0	7,1	306,7	458,5	72,2	95,1	394,1	324,9	311,8	249,2	253,7	859,3	0,0	621,4			
22,0	231,0	15,0	0,0	7,3	303,4	454,6	72,1	94,7	389,0	323,4	308,7	245,8	250,2	864,4	0,0	619,2			
23,0	232,0	14,9	0,0	7,3	300,4	451,1	72,0	94,5	384,1	322,3	305,6	242,4	247,5	899,4	0,0	623,4			
24,0	233,0	14,9	0,0	7,1	297,7	448,3	72,0	94,1	380,4	320,7	302,9	239,8	244,8	916,8	0,0	624,3			
25,0	234,0	14,8	0,0	6,9	295,3	445,0	71,9	93,7	377,2	319,3	300,2	237,0	242,8	915,6	0,0	621,0			
26,0	235,0	14,7	0,0	6,9	292,9	442,1	71,9	93,4	374,4	316,7	298,4	234,5	240,6	912,5	0,0	617,2			
27,0	236,0	14,7	0,0	6,9	291,7	439,7	71,9	93,0	371,9	316,7	297,3	232,3	240,2	911,1	0,0	615,1			
28,0	237,0	14,6	0,0	7,0	289,8	436,8	71,9	93,0	369,7	314,7	296,4	230,1	238,3	911,0	0,0	614,3			
29,0	238,0	14,6	0,0	7,2	288,0	434,1	72,0	92,9	367,6	313,4	294,2	227,9	236,8	912,4	0,0	615,6			
30,0	239,0	14,5	0,0	7,3	286,1	431,4	72,2	93,0	365,5	311,5	292,6	225,7	235,1	917,5	0,0	617,9			
31,0	240,0	14,5	0,0	7,5	284,3	428,9	72,2	92,6	363,9	308,9	291,4	224,1	233,4	924,2	0,0	621,4			
32,0	241,0	14,4	0,0	7,8	282,8	427,8	72,2	92,7	362,5	307,8	289,8	222,3	231,6	933,2	0,0	626,8			
33,0	242,0	14,3	0,0	8,1	281,2	425,9	72,1	92,4	361,2	306,6	287,4	220,5	230,6	933,8	0,0	646,9			
34,0	243,0	14,3	0,0	8,8	279,5	424,4	72,1	92,2	359,9	304,2	286,0	218,6	228,8	891,1	0,0	685,2			
35,0	244,0	14,2	0,0	10,8	278,3	422,7	72,1	92,2	358,9	303,0	284,4	217,2	227,9	903,2	0,0	737,9			
36,0	245,0	14,1	0,0	12,9	276,7	422,3	72,0	92,3	358,2	300,4	283,1	215,5	226,2	953,0	0,0	798,9			
37,0	246,0	14,0	0,0	14,4	275,8	423,2	72,0	91,9	358,5	299,2	282,2	214,0	225,0	985,6	0,0	829,6			
38,0	247,0	13,9	0,0	14,9	274,8	424,1	72,0	91,7	359,5	297,6	281,4	212,2	223,6	1010,8	0,0	839,2			
39,0	248,0	13,8	0,0	15,2	274,8	426,1	72,1	91,6	361,2	297,2	281,0	211,2	223,5	1036,2	0,0	838,8			
40,0	249,0	13,7	0,0	15,7	274,6	427,8	72,3	91,8	363,6	295,6	280,9	210,4	222,7	1058,2	0,0	843,8			
41,0	250,0	13,6	0,8	16,8	274,4	430,6	72,3	91,8	366,0	294,9	280,2	209,6	221,5	1069,2	0,0	886,7			
42,0	251,0	13,4	1,5	17,0	274,7	433,2	72,2	91,5	369,3	294,4	279,9	208,7	221,2	1082,3	0,0	903,8			
43,0	252,0	13,2	1,0	17,0	274,6	436,4	72,2	91,5	372,6	293,1	279,6	207,8	219,9	1100,4	0,0	905,4			
44,0	253,0	13,2	0,0	17,0	274,4	438,9	72,1	91,6	376,5	292,0	279,0	206,9	219,0	1088,9	0,0	911,3			
45,0	254,0	13,1	1,3	16,7	275,0	441,8	72,3	91,8	378,8	291,3	278,8	204,1	219,1	1067,2	0,0	908,1			
46,0	255,0	13,0	1,3	16,3	275,2	443,5	72,5	91,1	383,3	290,7	278,6	205,5	218,0	1071,4	0,0	895,3			
47,0	256,0	12,9	1,1	16,3	275,5	444,9	72,5	91,4	386,5	289,4	278,5	204,9	218,0	1076,1	0,0	891,9			
48,0	257,0	12,7	1,0	16,1	275,2	446,7	72,6	91,5	389,4	287,4	278,1	204,2	217,0	1088,7	0,0	894,0			
49,0	258,0	12,7	0,7	16,1	275,5	448,6	72,6	91,5	392,4	286,5	278,1	203,8	216,6	1097,3	0,0	895,4			
50,0	259,0	12,6	0,6	16,0	275,5	450,0	72,4	91,7	395,3	285,5	278,1	202,9	215,9	1092,8	0,0	904,7			
51,0	260,0	12,5	0,9	16,2	275,7	451,4	72,6	91,4	397,7	284,9	278,0	202,7	215,1	1082,5	0,0	901,2			
52,0	261,0	12,4	1,3	16,4	275,8	453,3	72,4	91,4	400,4	284,0	277,7	201,8	214,3	1074,7	0,0	909,0			
53,0	262,0	12,3	1,7	16,4	275,8	455,0	72,7	91,6	402,7	282,9	278,5	201,5	213,7	1077,3	0,0	917,0			
54,0	263,0	12,1	1,6	16,5	275,8	456,1	72,6	91,2	404,4	280,9	279,4	201,2	213,2	1069,8	0,0	929,7			
55,0	264,0	12,1	1,8	16,4	275,9	457,4	72,7	91,3	405,9	280,2	280,1	200,5	212,7	1077,5	0,0	927,9			
56,0	265,0	12,0	1,6	16,5	276,3	458,4	72,5	91,3	407,5	280,5	280,9	200,4	212,3	1076,7	0,0	911,2			
57,0	266,0	11,9	1,4	16,4	276,7	460,0	72,6	91,2	409,1	280,4	281,6	200,0	212,2	1117,3	0,0	924,6			
58,0	267,0	11,8	1,5	16,4	277,0	462,7	72,5	91,2	411,4	280,4	282,2	199,4	212,1	1118,3	0,0	996,6			
59,0	268,0	11,7	1,8	16,5	277,6	462,6	72,6	91,1	414,0	279,8	283,9	199,1	212,1	1102,2	0,0	984,0			
60,0	269,0	11,6	2,1	16,4	278,1	464,8	72,6	91,1	416,5	278,7	284,9	199,1	211,8	1097,5	0,0	1006,6			
61,0	270,0	11,5	2,2	16,3	278,5	466,6	72,5	92,1	419,1	279,0	285,1	198,8	211,5	1099,8	0,0	969,2			
62,0	271,0	11,3	2,0	16,4	279,0	468,2	73,1	91,2	421,3	278,4	285,4	198,4	211,4	1111,6	0,0	1010,4			
63,0	272,0	11,2	2,0	16,3	279,3	469,8	73,1	91,1	422,8	278,4	286,9	198,0	210,6	1122,7	0,0	965,0			
64,0	273,0	11,1	2,0	16,4	279,8	471,6	73,3	91,7	425,1	278,5	287,8	197,5	210,2	1134,5	0,0	1028,0			
65,0	274,0	11,1	2,1	16,5	280,5	473,0	73,3	91,9	427,5	278,8	288,3	197,6	210,2	1114,5	0,0	1057,3			
66,0	275,0	10,9	2,7	16,3	281,1	475,4	73,1	92,1	429,8	278,6	289,4	197,6	209,9	1112,9	0,0	1059,0			
67,0	276,0	10,8	2,8	16,3	281,2	475,9	73,2	92,0	431,5	278,3	289,9	197,4	209,0	1116,6	0,0	983,1			
68,0	277,0	10,7	2,3	16,5	281,7	477,1	73,1	91,9	433,4	279,4	289,6	197,4	208,7	1124,3	0,0	1016,5			

126.0	335.0	6.4	0.6	14.7	305.7	471.3	74.6	90.5	445.2	340.3	323.0	210.9	209.1	1182.0	0.0	974.4
127.0	336.0	6.4	0.5	14.7	306.2	472.3	74.5	90.5	446.3	340.9	323.8	211.0	209.0	1183.2	0.0	977.5
128.0	337.0	6.3	0.5	14.7	306.7	473.1	74.6	90.3	447.0	342.1	324.2	211.0	209.4	1185.8	0.0	981.2
129.0	338.0	6.3	0.5	14.8	307.4	473.4	74.5	90.5	448.5	343.3	324.5	211.2	209.7	1186.7	0.0	982.4
130.0	339.0	6.2	0.4	14.7	307.9	473.5	74.8	90.7	448.6	343.9	324.8	211.7	209.5	1187.9	0.0	985.3
131.0	340.0	6.1	0.4	14.7	307.6	474.1	74.3	90.9	450.0	343.3	325.3	210.7	208.8	1187.4	0.0	984.2
132.0	341.0	6.1	0.4	14.7	308.7	474.2	73.6	91.2	451.5	345.1	326.4	211.3	209.2	1188.1	0.0	982.3
133.0	342.0	6.0	0.4	14.6	309.1	474.4	73.7	90.9	452.1	346.0	326.3	211.9	209.4	1185.6	0.0	977.0
134.0	343.0	5.9	0.4	14.5	309.1	474.7	73.4	90.9	452.3	346.1	326.5	211.7	208.9	1184.9	0.0	978.4
135.0	344.0	5.9	0.4	14.5	309.3	475.0	73.6	90.9	452.7	346.5	326.2	212.5	208.5	1184.0	0.0	978.7
136.0	345.0	5.8	0.3	14.6	309.9	475.7	73.8	90.9	453.3	348.0	326.4	212.7	208.9	1183.8	0.0	976.5
137.0	346.0	5.8	0.3	14.5	309.8	474.9	73.8	90.8	453.6	347.3	326.5	212.7	208.8	1181.9	0.0	976.2
138.0	347.0	5.8	0.3	14.5	310.5	475.2	73.8	90.6	454.3	348.9	326.7	213.1	209.4	1182.2	0.0	977.5
139.0	348.0	5.7	0.3	14.5	310.6	475.4	74.2	90.6	454.4	349.5	326.5	213.7	209.1	1180.5	0.0	977.5
140.0	349.0	5.6	0.3	14.4	310.9	474.7	74.0	90.5	454.4	350.0	326.8	214.0	209.3	1179.6	0.0	975.3
141.0	350.0	5.6	0.3	14.4	311.6	474.4	73.6	90.1	454.8	351.8	327.2	214.5	209.8	1178.2	0.0	972.6
142.0	351.0	5.5	0.3	14.4	312.0	475.4	74.0	89.7	455.2	352.5	327.6	214.8	209.9	1177.8	0.0	973.3
143.0	352.0	5.5	0.3	14.5	312.2	475.8	73.7	90.3	454.7	353.8	327.3	214.8	210.6	1177.7	0.0	972.4
144.0	353.0	5.4	0.3	14.4	312.8	474.4	74.2	90.5	455.0	354.8	327.4	215.3	211.2	1160.7	0.0	954.4
145.0	354.0	5.3	0.2	14.2	312.3	474.7	74.3	90.8	454.1	353.9	327.3	215.7	210.7	1162.8	0.0	958.1
146.0	355.0	5.3	0.2	14.3	312.0	474.6	74.2	91.1	453.5	353.9	326.7	215.7	210.0	1170.4	0.0	967.5
147.0	356.0	5.2	0.3	14.5	312.4	474.3	74.0	91.0	453.5	355.1	326.9	216.1	210.2	1173.3	0.0	970.1
148.0	357.0	5.2	0.3	14.5	312.4	474.3	74.4	90.9	453.1	354.9	327.6	216.4	210.1	1173.8	0.0	974.8
149.0	358.0	5.1	0.3	14.5	313.1	474.8	73.9	90.8	453.3	356.4	328.5	216.5	210.5	1176.9	0.0	973.5
150.0	359.0	5.1	0.3	14.5	313.8	475.0	74.1	90.5	453.5	358.1	328.9	217.3	211.0	1176.8	0.0	977.5
151.0	360.0	5.0	0.3	14.5	314.0	474.6	74.2	90.7	453.9	358.2	329.3	217.4	211.1	1177.0	0.0	978.5
152.0	361.0	5.0	0.3	14.5	314.0	474.4	74.3	90.8	453.8	358.2	329.2	217.9	210.8	1175.6	0.0	976.2
153.0	362.0	4.9	0.4	14.5	314.3	474.0	74.3	90.4	453.9	359.3	329.1	218.2	211.2	1175.7	0.0	975.4
154.0	363.0	4.9	0.3	14.5	314.9	473.9	74.0	90.6	454.4	360.8	329.6	218.3	211.5	1176.7	0.0	972.1
155.0	364.0	4.8	0.3	14.3	315.5	473.6	74.2	90.7	454.6	361.8	329.9	218.9	212.1	1177.3	0.0	970.4
156.0	365.0	4.8	0.3	14.2	315.9	474.4	73.9	90.7	454.6	362.3	330.3	219.6	212.4	1177.3	0.0	969.5
157.0	366.0	4.7	0.3	14.2	315.8	474.1	74.2	90.6	454.6	362.4	330.0	219.7	212.2	1175.0	0.0	963.6
158.0	367.0	4.7	0.3	14.0	316.3	474.1	74.3	90.3	454.3	364.5	329.7	220.1	212.9	1171.4	0.0	960.4
159.0	368.0	4.6	0.2	13.9	316.2	473.4	74.2	90.6	454.4	363.3	330.5	220.3	212.6	1168.3	0.0	958.4
160.0	369.0	4.6	0.2	13.8	316.4	472.5	74.4	90.3	454.3	364.7	329.2	221.0	212.8	1164.8	0.0	954.6
161.0	370.0	4.5	0.2	13.7	316.1	472.3	74.4	90.8	453.6	364.0	329.5	221.2	212.3	1162.4	0.0	956.0
162.0	371.0	4.5	0.2	13.7	316.3	472.8	74.4	91.0	453.0	365.5	328.9	221.7	212.4	1160.6	0.0	952.2
163.0	372.0	4.4	0.3	13.6	316.3	471.9	74.3	91.0	452.4	365.6	329.4	221.5	212.8	1157.2	0.0	949.2
164.0	373.0	4.4	0.3	13.5	316.5	472.1	74.4	90.8	452.1	365.5	330.1	222.0	212.7	1155.9	0.0	947.5
165.0	374.0	4.3	0.2	13.5	316.5	470.6	74.6	90.8	451.6	366.2	330.0	222.3	212.5	1152.8	0.0	946.8
166.0	375.0	4.3	0.2	13.6	316.4	470.5	74.6	90.8	451.2	366.6	329.6	222.4	212.2	1151.3	0.0	944.8
167.0	376.0	4.2	0.2	13.5	316.8	469.5	74.6	90.7	450.6	368.1	329.7	222.9	212.7	1150.5	0.0	943.5
168.0	377.0	4.2	0.2	13.5	316.9	468.9	74.2	90.7	450.1	368.2	330.0	223.3	212.8	1149.2	0.0	943.9
169.0	378.0	4.2	0.2	13.5	316.8	469.2	74.8	90.4	449.3	368.6	330.2	223.3	212.5	1147.9	0.0	942.6
170.0	379.0	4.1	0.2	13.4	316.9	468.3	74.4	90.4	448.4	368.9	330.6	223.9	212.6	1145.9	0.0	940.7
171.0	380.0	4.1	0.2	13.4	316.6	467.7	74.3	90.3	447.8	368.4	330.6	224.0	212.4	1143.5	0.0	935.6
172.0	381.0	4.0	0.2	13.2	316.7	467.1	74.4	90.2	447.1	369.3	330.4	224.5	213.3	1139.3	0.0	927.9
173.0	382.0	4.0	0.2	13.0	316.5	466.3	74.4	90.1	446.1	369.8	330.1	224.4	212.0	1136.3	0.0	923.4
174.0	383.0	4.0	0.2	13.0	316.7	465.7	74.7	90.1	445.2	370.2	330.5	225.2	212.5	1131.1	0.0	916.0
175.0	384.0	3.9	0.1	12.8	317.1	464.6	75.0	89.8	444.2	372.1	330.3	225.5	213.3	1124.6	0.0	909.3
176.0	385.0	3.9	0.1	12.7	317.3	463.7	74.9	90.3	443.7	372.9	330.6	226.1	213.3	1117.6	0.0	901.8
177.0	386.0	3.9	0.1	12.6	316.9	462.9	75.3	90.3	442.5	372.4	329.9	226.2	213.4	1110.5	0.0	897.4
178.0	387.0	3.8	0.1	12.5	316.8	461.7	75.1	90.7	440.9	373.5	329.7	226.5	213.3	1102.5	0.0	889.4
179.0	388.0	3.8	0.0	12.3	316.6	460.4	74.8	90.2	439.7	374.6	329.6	227.0	213.4	1098.1	0.0	884.5
180.0	389.0	3.7	0.0	12.2	316.5	459.7	74.5	90.1	438.0	374.4	330.7	226.4	213.8	1094.7	0.0	879.7
181.0	390.0	3.7	0.0	12.2	316.5	458.7	74.8	90.1	436.5	374.6	330.6	227.3	213.7	1093.7	0.0	878.5
182.0	391.0	3.7	0.0	12.2	316.3	456.9	74.5	90.1	434.9	374.9	331.0	227.3	213.5	1090.8	0.0	875.0
183.0	392.0	3.6	0.0	12.1	316.4	455.9	74.7	89.6	433.2	375.5	331.7	227.6	213.8	1087.0	0.0	867.0
184.0	393.0	3.6	0.0	11.9	316.2	454.4	74.7	89.6	431.6	375.7	332.0	227.7	213.7	1080.4	0.0	862.3
185.0	394.0	3.6	0.0	11.9	315.8	454.0	74.3	89.6	430.0	375.7	331.6	228.1	213.7	1073.7	0.0	855.2
186.0	395.0	3.5	0.0	11.7	315.4	450.7	74.5	89.5	427.9	376.2	331.3	228.2	213.4	1065.4	0.0	803.3
187.0	396.0	3.5	0.0	11.0	314.6	448.8	74.7	89.3	425.1	375.8	331.0	228.1	213.2	1054.0	0.0	777.0
188.0	397.0	3.5	0.0	10.8	314.8	445.8	74.9	89.1	423.9	374.2	331.4	228.6	213.9	1051.9	0.0	767.6
189.0	398.0	3.5	0.0	10.5	314.0	442.9	75.1	89.3	417.7	378.1	331.2	228.8	214.0	1000.5	0.0	762.2
190.0	399.0	3.4	0.0	10.4	312.9	440.2	74.7	89.1	412.9	378.7	330.6	228.7	213.5	877.8	0.0	758.4
191.0	400.0	3.4	0.0	10.3	312.0	437.3	74.0	90.0	408.4	379.3	330.6	228.2	213.6	859.0	0.0	752.0
192.0	401.0	3.4	0.0	10.3	311.4	434.5	73.8	90.0	404.0	380.7	329.8	228.8	213.8	842.7	0.0	748.5
193.0	402.0	3.3	0.0	10.3	311.1	430.9	73.7	89.8	399.3	382.0	330.7	229.2	214.2	828.8	0.0	746.9
194.0	403.0	3.4	0.0	10.2	310.5	427.7	73.9	89.9	394.9	383.4	330.1	230.0	214.1	816.9	0.0	745.1
195.0	404.0	3.3	0.0	10.3	309.9	424.6	73.8	89.4	390.7	384.3	329.9	230.1	214.3	806.6	0.0	742.3
196.0	405.0	3.3	0.0	10.3	309.8	421.3	74.5	89.3	386.3	386.4	330.1	231.1	214.9	797.7	0.0	738.6
197.0	406.0	3.2	0.0	10.2	309.5	418.5	75.0	89.1	385.5	387.0	330.2	231.2	215.5	793.0	0.0	737.0
198.0	407.0	3.2	0.0	10.3	308.9	415.9	75.2	88.9	378.5	387.9	330.2	232.0	215.6	786.4	0.0	735.4
199.0	408.0	3.2	0.0	10.3	308.3	412.8	75.4	88.9	374.6	388.						

255.0	464.0	2.0	0.0	11.0	308.7	349.4	76.5	85.5	322.3	385.6	344.5	247.8	243.4	763.2	0.0	716.4
256.0	465.0	1.9	0.0	11.9	308.4	349.6	76.5	85.4	322.1	384.3	344.2	247.7	243.6	763.4	0.0	719.5
257.0	466.0	1.9	0.0	11.8	308.4	349.8	76.4	85.3	322.2	383.9	344.5	247.7	244.0	761.6	0.0	721.2
258.0	467.0	1.9	0.0	11.4	308.7	348.9	76.4	85.2	322.4	383.6	345.2	247.8	244.7	759.4	0.0	723.9
259.0	468.0	1.9	0.0	11.2	308.5	348.9	76.2	85.3	322.5	383.2	345.1	247.5	245.3	756.4	0.0	721.0
260.0	469.0	1.8	0.0	11.1	308.1	349.2	76.4	85.1	322.4	379.9	344.8	247.6	245.7	752.8	0.0	721.4
261.0	470.0	1.8	0.0	11.0	307.8	348.6	76.1	84.9	322.1	379.0	344.6	247.1	246.1	749.9	0.0	721.4
262.0	471.0	1.8	0.0	10.9	307.7	348.5	76.2	85.1	322.1	377.8	344.9	247.3	246.5	747.3	0.0	719.7
263.0	472.0	1.7	0.0	10.8	307.3	347.3	76.4	84.9	321.8	375.8	344.5	247.0	247.4	744.4	0.0	718.0
264.0	473.0	1.8	0.0	10.8	307.1	347.5	76.5	84.8	321.5	374.6	344.3	246.6	248.2	742.8	0.0	718.5
265.0	474.0	1.7	0.0	10.8	306.8	346.9	76.2	84.6	321.3	373.3	343.9	246.5	249.2	741.4	0.0	717.2
266.0	475.0	1.7	0.0	10.8	306.2	346.4	76.1	84.6	320.8	371.1	343.4	246.5	249.4	740.9	0.0	717.6
267.0	476.0	1.7	0.0	10.8	306.2	345.6	76.0	84.5	320.6	369.8	343.1	246.8	250.8	739.7	0.0	715.2
268.0	477.0	1.7	0.0	10.7	305.8	345.7	76.1	84.4	320.3	367.8	342.7	246.9	251.4	738.6	0.0	715.1
269.0	478.0	1.7	0.0	10.8	305.0	343.5	75.9	84.5	319.6	365.6	342.0	246.2	251.4	738.3	0.0	714.2
270.0	479.0	1.6	0.0	10.8	305.0	344.0	76.1	84.3	319.3	364.8	341.7	246.5	252.6	737.5	0.0	713.7
271.0	480.0	1.6	0.0	10.8	305.2	344.7	75.1	84.2	319.3	364.7	340.9	246.8	254.1	735.7	0.0	702.7
272.0	481.0	1.6	0.0	10.6	304.6	344.2	75.9	84.7	318.7	362.4	340.2	247.1	254.7	733.7	0.0	701.3
273.0	482.0	1.6	0.0	10.6	304.5	343.6	76.4	85.0	318.7	361.6	338.5	247.8	255.8	734.0	0.0	701.0
274.0	483.0	1.5	0.0	10.6	304.3	342.8	75.8	85.2	318.4	360.4	338.7	247.1	257.1	734.5	0.0	699.2
275.0	484.0	1.5	0.0	10.6	304.3	342.7	76.1	85.1	318.2	358.9	338.7	247.8	258.1	734.4	0.0	700.6
276.0	485.0	1.5	0.0	10.6	304.1	341.9	76.1	84.9	317.8	356.9	338.6	247.9	259.2	734.5	0.0	698.9
277.0	486.0	1.5	0.0	10.6	303.8	341.2	76.0	84.9	317.6	355.0	338.3	247.9	260.3	734.4	0.0	696.5
278.0	487.0	1.5	0.0	10.6	303.5	340.9	75.9	84.8	317.3	353.4	337.6	248.5	260.9	733.8	0.0	692.4
279.0	488.0	1.5	0.0	10.5	303.6	340.7	75.7	84.8	317.0	353.3	337.2	248.5	262.2	733.4	0.0	693.0
280.0	489.0	1.5	0.0	10.6	303.2	339.4	75.8	84.7	316.6	351.1	336.6	248.9	262.8	733.0	0.0	690.1
281.0	490.0	1.4	0.0	10.5	303.1	339.3	75.7	84.6	316.2	350.7	335.6	249.1	264.1	733.7	0.0	690.6
282.0	491.0	1.4	0.0	10.6	303.0	339.3	75.9	84.6	316.0	349.3	335.1	248.9	265.4	734.3	0.0	693.1
283.0	492.0	1.4	0.0	10.6	303.0	339.3	75.7	84.5	315.9	347.6	335.2	249.2	266.8	734.3	0.0	694.3
284.0	493.0	1.4	0.0	10.6	302.7	339.3	75.7	84.4	315.7	346.7	334.5	249.6	267.3	735.5	0.0	695.7
285.0	494.0	1.3	0.0	10.7	302.7	338.8	75.9	84.3	315.4	346.1	333.7	250.1	268.0	737.3	0.0	696.4
286.0	495.0	1.3	0.0	10.7	302.5	338.5	75.9	84.3	315.2	344.8	333.1	250.2	269.1	737.8	0.0	695.0
287.0	496.0	1.3	0.0	10.7	302.4	337.9	75.7	84.1	315.1	343.6	332.5	250.5	270.0	738.2	0.0	694.4
288.0	497.0	1.3	0.0	10.7	302.4	336.7	75.9	84.1	315.1	343.4	331.9	250.8	270.9	738.7	0.0	692.7
289.0	498.0	1.3	0.0	10.7	302.4	336.4	75.9	84.2	315.0	342.6	331.8	250.8	272.1	737.8	0.0	692.2
290.0	499.0	1.3	0.0	10.6	302.1	336.6	75.7	83.9	314.7	341.0	331.1	251.1	272.5	737.3	0.0	689.8
291.0	500.0	1.2	0.0	10.6	301.8	335.3	75.8	83.9	314.3	339.7	330.5	251.5	273.0	737.7	0.0	690.4
292.0	501.0	1.3	0.0	10.6	301.6	335.5	75.6	83.8	314.3	339.7	329.9	251.2	273.7	738.6	0.0	692.9
293.0	502.0	1.2	0.0	10.7	301.7	334.3	75.6	83.8	314.1	338.8	329.6	251.8	274.3	739.8	0.0	692.8
294.0	503.0	1.2	0.0	10.7	301.6	334.7	75.7	83.8	314.0	337.6	329.1	252.3	274.8	740.1	0.0	693.4
295.0	504.0	1.2	0.0	10.6	301.5	335.0	75.5	83.8	313.7	337.1	328.6	252.8	275.2	739.4	0.0	693.0
296.0	505.0	1.2	0.0	10.7	301.1	334.0	75.3	83.6	313.5	336.1	327.8	252.7	275.5	739.2	0.0	691.5
297.0	506.0	1.1	0.0	10.7	301.4	333.9	75.4	84.0	313.5	336.7	327.3	253.2	276.5	739.9	0.0	690.3
298.0	507.0	1.1	0.0	10.6	301.4	334.1	75.4	84.2	313.4	335.6	327.1	253.8	277.1	739.1	0.0	688.5
299.0	508.0	1.1	0.0	10.6	301.3	334.7	75.3	84.3	313.2	335.4	326.2	253.8	277.7	738.6	0.0	686.9
300.0	509.0	1.1	0.0	10.6	301.3	334.7	75.4	84.3	313.0	334.9	326.4	253.7	278.6	738.9	0.0	687.0
301.0	510.0	1.0	0.0	10.6	301.4	333.0	75.5	84.3	312.9	334.3	326.7	254.1	279.2	738.5	0.0	686.4
302.0	511.0	1.0	0.0	10.5	301.3	332.6	75.5	84.2	312.6	333.5	326.4	253.9	280.1	737.9	0.0	686.8
303.0	512.0	1.0	0.0	10.5	301.4	332.3	75.6	84.1	312.5	333.6	326.0	254.3	280.5	737.1	0.0	687.9
304.0	513.0	1.0	0.0	10.5	301.5	332.2	75.3	83.9	312.5	333.4	325.5	254.7	281.4	737.1	0.0	688.2
305.0	514.0	1.0	0.0	10.5	301.1	331.3	75.4	84.0	312.2	332.2	325.0	254.6	281.6	735.6	0.0	684.0
306.0	515.0	1.0	0.0	10.3	300.6	331.8	75.2	83.8	311.9	330.7	324.2	254.8	281.4	733.4	0.0	685.9
307.0	516.0	1.0	0.0	10.4	300.5	331.2	75.3	83.7	311.7	330.6	323.5	254.9	281.8	732.1	0.0	687.6
308.0	517.0	1.0	0.0	10.4	300.1	331.1	75.3	83.8	311.5	329.9	322.9	254.5	281.8	732.7	0.0	690.1
309.0	518.0	1.0	0.0	10.4	300.4	330.1	75.3	83.7	311.3	329.3	322.4	254.9	282.5	732.5	0.0	681.9
310.0	519.0	0.9	0.0	10.2	299.8	329.9	75.0	83.6	310.8	328.3	321.9	255.0	282.9	730.2	0.0	683.9
311.0	520.0	0.9	0.0	10.2	299.6	329.9	75.0	83.4	310.4	327.6	321.7	254.9	283.2	729.3	0.0	682.7
312.0	521.0	0.9	0.0	10.2	299.5	329.3	75.1	83.5	310.3	327.3	321.3	254.8	283.6	728.9	0.0	684.9
313.0	522.0	0.9	0.0	10.2	298.9	329.2	75.1	83.5	309.8	325.9	320.9	254.4	283.5	730.5	0.0	683.6
314.0	523.0	0.9	0.0	10.1	298.9	328.7	74.9	83.5	309.7	325.6	320.7	254.5	284.1	730.9	0.0	683.4
315.0	524.0	0.8	0.0	10.0	298.7	328.7	75.0	83.4	309.4	325.1	320.2	254.1	284.7	731.0	0.0	680.8
316.0	525.0	0.8	0.0	10.0	298.5	329.3	75.1	83.3	309.3	324.2	319.9	254.2	285.1	728.4	0.0	678.4
317.0	526.0	0.8	0.0	10.0	298.6	328.8	74.8	83.2	309.2	323.9	319.7	254.5	285.6	727.8	0.0	676.5
318.0	527.0	0.8	0.0	10.0	298.3	328.3	74.9	83.1	309.0	323.5	319.3	253.8	285.9	726.5	0.0	667.5
319.0	528.0	0.8	0.0	9.9	298.1	327.4	75.0	83.0	308.6	322.8	318.8	253.8	286.4	722.7	0.0	664.3
320.0	529.0	0.8	0.0	9.9	297.5	328.2	75.0	83.5	308.4	321.6	317.7	253.1	286.7	720.3	0.0	660.6
321.0	530.0	0.7	0.0	9.8	297.1	327.9	75.3	83.6	308.1	320.3	317.2	253.1	286.9	721.2	0.0	660.7
322.0	531.0	0.7	0.0	9.8	296.7	326.7	74.9	83.8	307.5	319.6	316.4	253.1	286.8	720.8	0.0	658.9
323.0	532.0	0.7	0.0	9.8	296.6	327.3	74.9	83.7	307.4	319.5	316.3	253.0	287.0	720.3	0.0	657.7
324.0	533.0	0.7	0.0	9.9	296.6	327.0	75.0	83.6	307.3	319.1	316.3	252.6	287.9	720.2	0.0	656.6
325.0	534.0	0.7	0.0	9.7	296.2	326.0	75.1	83.6	306.9	317.5	315.9	252.9	288.0	719.2	0.0	654.5
326.0	535.0	0.6	0.0	9.7	295.7	325.6	74.8	83.6	306.8	317.2	315.8	252.9	288.6	719.5	0.0	654.4
327.0	536.0	0.7	0.0	9.7	295.7	325.2	75.0	83.5	306.2	316.3	315.2	252.4	288.6	720.0	0.0	652.6
328.0	537.0	0.6	0.0	9.6	295.4	325.0	75.0	83.4	305.8	315.4	314.5	252.4	288.6	719.2	0.0	651.9
329.0																

Manufacturer: ICC
 Model: OPEL+ 3C

Run: 2
 Project #: PI 20161
 Test Duration: 367 min

	HHV	LHV
Eff	74,64%	80,68%
Comb Eff	97,59%	97,59%
HT Eff	76,49%	82,67%
Output	16 091	kJ/h
Burn Rate	1,09	kg/h
Grams CO	233	g
Input	21 556	kJ/h
MC wet	17,58	

Note: In the "Input data", "Calc. % O₂", "Fuel Properties", and "Mass Balance" columns, [e], [d], [g], [a], [b], [c], [h], [u], [w], [j], and [k] refer to their respective variables in Clauses 13.7.3

Ultimate CO₂
 CO_{2-ut} 19,64
 F_o
 1,063

Overall Heating Efficiency: 74,64%
 Combustion Efficiency: 97,59%
 Heat Transfer Efficiency: 76,49%

Air Fuel Ratio (A/F)	
Dry Molecular Weight (M _d)	30,23
Dry Moles Exhaust Gas (N _r):	325,48
Air Fuel Ratio (A/F)	9,33

Heat Output:	15 264 Btu/h	16 091 kJ/h
Heat Input:	20 448 Btu/h	21 556 kJ/h
Burn Duration:	6,12 h	
Burn Rate:	2,40 lb/h	1,088 kg/h
Stack Temp:	409,6 Deg. F	209,8 Deg. C

Date: 2018-02-15

Manufacturer: icl

Model: Opel + 3c

Project #: pI 20161

Run: 2

Tech: MR

Reviewer: DR

Kindling + warm-up 7,00 LBS & S/DAL FAN - FAN OFF - bypass open - Damp 90° At 04 LBS close Door At 600 LBS close bypass At 48 LBS 15mm open Fan High At 12 LBS close Fan and instl preload At 14.6 LBS close Door At 14.3 LBS close bypass At 15 mm open Fan High 12.2 LBS At 1200 close an instl At 400 LBS close to Fan and instl load At 3:45 close Door At 200 mm close bypass At 5:45 TEST LOAD CONFIGURATION close an instl At 6 mm close Damp 7.5° At 15 mm open Fan (High) Bouché 1 trou sur côté clapet à 6 min
--

PRE / POST CHECKS

 Date: 2018-02-15 Manufacturer: ICL Model: Opel 30
 Project #: PI 20161 Run: 2 Tech: MM Reviewer: SD

Moisture Meter Calibration Check:

Equipment #	Time	12%	22%
EM-191	7:00	OK	OK

Pre-Test

Post-Test

Facility Conditions:

Air Velocity from less than 2 feet

6 (max 50 Fpm)	4 (max 50 Fpm)
----------------	----------------

Smoke Capture Check

OK	OK
----	----

Picture

4 sides OK	OK
------------	----

Wood Heater Conditions:

Date Wood Heater Stack Cleaned

2018-02-14

Date Dilution Tunnel Cleaned

2018-02-14

 Induced Draft Check (max 0.005 H₂O)

OK

Traverse before ignition

OK

Flow Rate 140 cfm ±10%

OK

Temperature System:

Ambient (65°-90°F)

OK °F

Wood Heater Surface (±125°F)

OK °F

Proportional Checks:

Thermocouple check

OK

Pitot Clean

OK

Pitot verification

OK

Sampling Train ID Numbers:

Probe

Train 1 st hour	Train 1	Train 2
21	35	39
08	10	12
09	11	13
11	11	12
OK	OK	OK

Filter Front

Filter Back

Filter Thermocouple

Filter (<90°F)

SAMPLING EQUIPMENT CHECK OUT

 Date: 2018-02-15

 Manufacturer: ICC

 Model: Opel + 3C

 Project #: 07 20101

 Run: 2

 Tech: JM

 Reviewer: DP

Leakage Checks Tunnel Samplers

	System 1 st hour		System 1		System 2	
	Pre-Test ASTM (-15) CSA B415 (-5)	Post-Test (max test)	Pre-Test ASTM (-15) CSA B415 (-5)	Post-Test (Max test)	Pre-Test ASTM (-15) CSA B415 (-5)	Post-Test (Max test)
Vacuum (inches Hg.)	-15	-15	-15	-15	-15	-15
Final 1 minute DGM (Liter)	624999.68	626956.64	624999.87	626956.82	566812.74	568834.55
Initial 1 minute DGM (Liter)	624999.62	626956.57	624999.80	626956.80	566812.74	568834.52
Change © (Liter)	0.05	0.05	0.07	0.02	0	0.03
Allowable leakage .04 x Sample rate or 0.28Lpm CSA B415 (0.56)						
Check OK	ok	ok	ok	ok	ok	ok

Leakage Checks Flue Gas Sampler

Plugged Probe	Pre Test	Post Test
Vacuum (inches Hg.)	-5	-5
Rotometer Reading (mml/min.)	0	0
Flow Rate (lpm)	1.5	1.5
Allowable (.02 x Sample Rate)	30	30
Check OK	ok	ok

Leakage Checks Pitot

Plugged Probe	Pre Test 3 H ₂ O static	Pre Test 0.4-0.5 H ₂ O velocity	Post Test 3 H ₂ O Static	Post Test 0.4-0.5 H ₂ O velocity
Vacuum (inches Hg.)	3	.4	3	.4
Check OK (no change after 15 sec.)	ok	ok	ok	ok

Date: 2018-02-15 Manufacturer: ICL Model: OPL+3C
 Project #: PI 20161 Run: 2 Tech: MR Reviewer: BL

Scale Type	Audit		Measured Weight
	Equipment #	Weight	
Platform	<u>EM 090</u>	<u>44</u> lbs, Class F	<u>44</u> lbs
Wood	<u>EM 090</u>	<u>44</u> lbs, Class F	<u>44</u> lbs
Analytical	<u>EM 128</u>	<u>100</u> mg, Class S	<u>100</u> mg
Analytical	<u>EM 129</u>	<u>200</u> g, Class S	<u>200</u> g

LIMITS OF WEIGHT RANGES

ANALYTICAL SCALE: 50%-150% of dry filter weight, ± 0.1 mg
PLATFORM SCALE: 20%-80% of ideal test load weight, ± 0.1 lbs or 1%
WOOD SCALE: 20%-80% of ideal test load weight, ± 0.01 lbs or 1%

Date: 20/8-02-15 Manufacturer: ICL Model: Opel+3c
 Project #: PI 20161 Run: 2 Tech: MR Reviewer: DP

FOR TUNNELS < 12 in

Barometric pressure (P_{bar}) 1004 (KPa.) Static pressure (P_s) 0.35 (inches w.c.)
 Inside diameter: Port A _____ Port B _____
 Tunnel cross sectional area: .1963Ft²
 Pitot tube type: Standard

Traverse Point	Position (inches)			Velocity Head Δ_p (inches H ₂ O)	Tunnel Temperature (°F)
	6 po	7 po	8 po		
A- Centroid	3.00	3.50	4	0055	7744
B - Centroid	3.00	3.50	4	0054	7603
A-1	0.40	0.50	0.50	0045	7719
A-2	1.50	1.75	2	0056	7736
A-3	4.50	5.25	6	0049	7696
A-4	5.60	6.5	7.5	0044	7681
B-1	0.40	0.50	0.50	0056 0046	7633
B-2	1.50	1.75	2	0056	7641
B-3	4.50	5.25	6	0049	7600
B-4	5.60	6.5	7.5	0050	7609
AVERAGE					

$$v_s = K_p C_p (\sqrt{\Delta p})_{avg} \sqrt{\frac{(T_s)_{avg}}{P_s M_s}}$$

Where,

C_p = pitot tube coefficient, dimension less = 0.99 for standard pitot.

Δ_p = manometer reading (inches H₂O)

T_s = average absolute dilution tunnel temperature (°F + 460)

P_s = absolute dilution tunnel gas pressure or $P_{bar} + P_{st}$

P_{st} = static pressure in H₂O
 { 13.6 }

M_s = 28.56, wet molecular weight of stack gas (alternatively, it may be measured)

K_p = 85.49 pitot tube constant, (conversion factor for English units)

$(\Delta_p)_{avg}$ = average of the square roots of the velocity heads (Δ_p) measured at each traverse point.

Date: 20/18-02-15 Manufacturer: 1CC Model: Opel + 30
 Project #: p1 20/161 Run: 2 Tech: Mr Reviewer: DE

Pre-Test (Adjust and Record)

	ZERO		SPAN		CAL. (Record Only)	
	Actual	Should Be	Actual	Should Be	Actual	Should Be
CO	0	0	3002	300	1009	100
Tolerance CO		+/- 0.02		+/- 0.15		+/- 0.05
CO ₂	0	0	1787	18.00	9.72	10.00
Tolerance CO ₂		+/- 0.02		+/- 0.5		+/- 0.5
O ₂ informative CSA B415 calculated value	na	na	na	na	na	na

Post Test (Record Only)

	Zero	Span	Cal.	Zero Drift	Limit	Span Drift	Limit	Cal. Drift	Limit	OK?	Not OK*
CO	0	2995	1002	0	0.02	0.007	0.15	0.007	0.05	✓	
CO ₂	0	1793	9.77	0	0.02	0.06	0.5	0.05	0.5	✓	

TEST DATA LOG

Date: 2018-02-15 Manufacturer: ICL Model: Opel + 3c
 Project #: PI 20161 Run: 2 Tech: M. M. Reviewer: DP

RAW DRY GAS METER READINGS

	System 1	System 2	Blank
Final (Liter)	626955, 51	568833, 54	824, 83
Initial (Liter)	625000, 15	566814, 22	793 80

AMBIENT CONDITIONS

	Before	After
Barometer (kPa):	100.4	100.1
Dry Bulb (F):	72.32	79.41
Humidity (%):	27.2	23.1

Flow Meter

	Start	End
Flow meter reading	N.A	N.A

Flow Meter Verification

	Before	After
Flow meter Check (liters)	N.A	N.A
Scale Weight (Kg)	N.A	N.A

FUEL DATA

Date: 2018-02-15 Manufacturer: 1CC Model: Opel + 3C
 Project #: PI 20161 Run: 2 Tech: MR Reviewer: DP

FUEL DESCRIPTION:

Type of wood:

PRE-TEST LOAD

Piece Size	Weight	Meter Moisture Content (% dry)*						
1 1/2 x 3 1/2 x 11 in.	1278 lbs.	221	226	199	201	206		
1 1/2 x 3 1/2 x 11 in.	1264 lbs.	229	210	213	217	22		
1 1/2 x 3 1/2 x 11 in.	1262 lbs.	220	223	226	227	23		
1 1/2 x 3 1/2 x 11 in.	1280 lbs.	213	214	208	209	206		
x x in.	lbs.							
1 1/2 x 3 5/8 x 10 5/8 in.	1066 lbs.	221	223	224	216	214		
1 1/2 x 3 5/8 x 10 5/8 in.	1132 lbs.	213	217	213	216	214		
1 1/2 x 3 5/8 x 10 5/8 in.	1116 lbs.	220	223	221	219	213		
1 1/2 x 3 5/8 x 10 5/8 in.	1140 lbs.	220	230	228	224	221		
1 1/2 x 3 5/8 x 10 5/8 in.	1150 lbs.	216	213	209	208	210		
1 1/2 x 3 5/8 x 10 5/8 in.	1034 lbs.	223	224	226	226	223		
1 1/2 x 3 5/8 x 10 5/8 in.	1160 lbs.	213	218	214	218	216		
1 1/2 x 3 5/8 x 10 5/8 in.	1140 lbs.	220	219	210	211	216		
1 1/2 x 3 5/8 x 10 5/8 in.	1176 lbs.	223	224	226	228	224		
1 1/2 x 3 5/8 x 10 5/8 in.	1144 lbs.	221	225	223	224	216		
1 1/2 x 3 5/8 x 10 5/8 in.	1110 lbs.	216	217	218	219	218		
1 1/2 x 3 5/8 x 10 5/8 in.	1120 lbs.	220	215	211	216	219		
1 1/2 x 3 5/8 x 10 5/8 in.	0780 lbs.	210	211	222	220	219		
x x in.	lbs.							
x x in.	lbs.							
x x in.	lbs.							
x x in.	lbs.							
x x in.	lbs.							

TEST LOAD WEIGHT: 1935 lbs

FUEL DATA

 Date: 2018-02-15 Manufacturer: ICL Model: Opel + 3c
 Project #: PT 20161 Run: 2 Tech: MR Reviewer: DP
FUEL DESCRIPTION:

Type of wood :

TEST LOAD

Piece Size	Weight	Meter Moisture Content (% dry)*	
1 5 x 3/4 x 5 in.	0092 lbs.	196	
1 5 x 1/2 x 5 in.	0104 0114 lbs.	193	
1 5 x 3/4 x 5 in.	0102 lbs.	199	
x x in.	lbs.		
x x in.	lbs.		
x x in.	lbs.		
x x in.	lbs.		
x x in.	lbs.		
x x in.	lbs.		
x x in.	lbs.		
x x in.	lbs.		
x x in.	lbs.		
x x in.	lbs.		
x x in.	lbs.		
x x in.	lbs.		
x x in.	lbs.		
x x in.	lbs.		
x x in.	lbs.		
x x in.	lbs.		
x x in.	lbs.		
x x in.	lbs.		
x x in.	lbs.		
x x in.	lbs.		
x x in.	lbs.		
x x in.	lbs.		
x x in.	lbs.		
x x in.	lbs.		
x x in.	lbs.		
x x in.	lbs.		
x x in.	lbs.		

TEST LOAD WEIGHT: _____ lbs Min 20%: _____ Max 25%: _____

FUEL DATA

Date: 2018-02-15 Manufacturer: ICC Model: Opel + 3c
 Project #: p2 2-10 Run: 2 Tech: MM Reviewer: DP

FUEL DESCRIPTION:

Type of wood:

TEST LOAD

Piece Size	Weight	Meter Moisture Content (% dry)*				
1.5 x 3.5 x 15 3/4 in.	1.276 lbs.	238	236	237	231	238
1.5 x 3.5 x 15 3/4 in.	1.250 lbs.	206	209	206	201	202
1.5 x 3.5 x 15 3/4 in.	1.436 lbs.	193	194	192	195	194
1.5 x 3.5 x 15 3/4 in.	1.228 lbs.	208	206	209	203	209
3.5 x 3.5 x 15 3/4 in.	4.19 lbs.	217	224	216	217	218
3.5 x 3.5 x 15 3/4 in.	4.52 lbs.	211	216	220	221	219
1.5 x 3/4 x 5 in.	0.094 lbs.			201		
1.5 x 3/4 x 5 in.	0.110 lbs.			204		
1.5 x 3/4 x 5 in.	0.088 lbs.			196		
1.5 x 3/4 x 5 in.	0.094 lbs.			199		
1.5 x 3/4 x 5 in.	0.092 lbs.			198		
1.5 x 3/4 x 5 in.	0.120 lbs.			197		
1.5 x 3/4 x 5 in.	0.126 lbs.			198		
1.5 x 3/4 x 5 in.	0.086 lbs.			195		
1.5 x 3/4 x 5 in.	0.098 lbs.			195		
1.5 x 3/4 x 5 in.	0.106 lbs.			199		
1.5 x 3/4 x 5 in.	0.086 lbs.			197		
1.5 x 3/4 x 5 in.	0.120 lbs.			203		
1.5 x 3/4 x 5 in.	0.098 lbs.			206		
1.5 x 3/4 x 5 in.	0.092 lbs.			210		
1.5 x 3/4 x 5 in.	0.090 lbs.			213		
1.5 x 3/4 x 5 in.	0.112 lbs.			209		
1.5 x 3/4 x 5 in.	0.096 lbs.			208		
1.5 x 3/4 x 5 in.	0.098 lbs.			209		
1.5 x 3/4 x 5 in.	0.108 lbs.			210		
1.5 x 3/4 x 5 in.	0.088 lbs.			211		
1.5 x 3/4 x 5 in.	0.098 lbs.			216		

TEST LOAD WEIGHT: 1780 lbs Min 20%: 356 Max 25%: 445

Date: 2018-02-14 Manufacturer: LC Model: Opcl-73c
 Project #: PT 20161 Run: 2 Tech: MR Reviewer: ISO

Pre-test Weight Record		SYSTEM 1 - 1 st hour						SYSTEM 1			
Date	Time	Probe & Housing Number	Front Filter Number	Back Filter Number	gaskets	Probe & Housing Number	Front Filter Number	Back Filter Number	gaskets	Back Filter Number	Blauck
		21	08	09	13	35	10	11	16		47
2018-02-14	7:30	1087403	01269	01256	357161	1092848	01291 01291	01270	356608		01304
2018-02-15	10:30	1087404	01270	01255	357160	1092849	01290	01269	356607		01305

Post-test Weight Record		SYSTEM 1 - 1 st hour						SYSTEM 1			
Date	Time	Probe & Housing Number	Front Filter Number	Back Filter Number	gaskets	Probe & Housing Number	Front Filter Number	Back Filter Number	gaskets	Back Filter Number	Blauck
		21	08	09	13	35	10	11	16		47
2018-02-14	11:00	1087424	01284	01271	357208	1092859 1092859	01285	01266	356636		01306
2018-02-22	8:00	1087414	01280	01238	357194	1092879	01282	01263	356623		01306
2018-02-26	8:00	1087415	01281	01239	357195	1092849	01283	01264	356624		01306
2018-03-01	8:00	1087415	01281	01239	357195	1092849	01283	01264	356624		01306



DILUTION TUNNEL PARTICULATE SAMPLER DATA

Date: 2018-05-14 Manufacturer: 1cc Model: OPC17 3c
 Project #: PT 10/61 Run: 2 Tech: MA Reviewer: DR

SYSTEM 2					
Pre-test Weight Record	Probe & Housing Number	Front Filter Number	Back Filter Number	gaskets	
Date	Time	39	12	13	22
2018-05-14	17:00	110.2761	0.1256	0.1265	35.1082
2018-02-15	10:00	110.2763	0.1252	0.1265	35.1081

SYSTEM 2					
Post-test Weight Record	Probe & Housing Number	Front Filter Number	Back Filter Number	gaskets	
Date	Time	39	12	13	22
2018-02-15	01:00	110.2793	0.1284	0.1241 0.1250	35.1138
2018-02-22	8:00	110.2782	0.1280	0.1237	35.1125
2018-02-26	8:00	110.2722	0.1286	0.1237	35.1124
2018-03-01	8:00	110.2772	0.1280	0.1237	35.1124

Paramètres

Tous les facteurs de corrections et autres paramètres qui peuvent être modifiés par l'utilisateur du fichier sont regroupés ici.

Code verrouillage:

Description du test

Test standard	EPA
Run #	3
Date	19-02-2018
Technicien	M.M
Project #	PI 20161

Description de l'unité

Manufacturier	ICC	
Modèle	OPEL+ 3C	
Combustion system	Cat	
Appliance type	FIREPLACE	
Firebox volume	2,32	cu ft.
Appliance weight empty	N.A	lbs
Appliance weight full	N.A	lbs

Paramètres du test

Logging time	1	min
Manufacturer's rated heat output	N.A	BTU/h Donnée fournie par le manufacturier
Targeted category	1	
Targeted output	N.A	BTU/h
Cp steel	N.A	BTU/lb-°F

Échantillonnage

Blank sampling rate	0,20	cuft/min
Internal probe diameter	0,18	in.
Calibration Factor (DGM #1):	0,988	Dimensionless
Equipment number (DGM #1):	EM 178	
Calibration Factor (DGM #2):	0,988	Dimensionless
Equipment number (DGM #2):	EM 179	
Calibration Factor (DGM #3):	0,986	Dimensionless
Equipment number (DGM #3):	EM 070	Dimensionless

Tunnel

Targeted tunnel flow rate	140	scfm
Tunnel diameter	6	in.
Molecular weight	28,78	May be assumed to be 28,78 (EPA) Si B-415 = 29
Pitot tube type	Standard	
Pitot tube coefficient	0,99	Dimensionless

Project nu.	PI 20161
Date	19-02-2018
Technicien	M.M

Fuel data

Fuel type	Dimension
Fuel specie	D. Fir
HHV	19810,0 kJ/kg
%C	48,7
%H	6,9
%O	43,9
%Ash	0,5
HHV	8519,2 Btu/lb
LHV	7451,0 Btu/lb

Default Fuel Values		
	D. Fir	Oak/Maple
HHV	19 810	19 887
%C	48,73	50
%H	6,87	6,6
%O	43,9	42,9
%Ash	0,5	0,5
HHV (Btu/lb)	8519	8552
LHV (Btu/lb)	7451	7480

	Start	End
Barometer (kPa):	102,2	101,8
Barometer (in.Hg):	30,179649	30,06152868
Dry Bulb (F):	69,98	74,86
Humidity (%):	25,1	26
Air velocity (ft/min)	2	5

DGM #1	Final:	22222,007	cuft
	Initial:	22140,804	cuft
DGM #2	Final:	20170,116	cuft
	Initial:	20088,399	cuft
DGM room			

	Final:	629257,140	Liter
	Initial:	626957,750	Liter
	Final:	571154,080	Liter
	Initial:	568840,110	Liter
	Final:	863,080	cuft
	Initial:	824,840	cuft

Numéro de la ligne dans "Raw data" à partir duquel les données du VRAI test commencent

166

Autres données à rentrer: dans preload data, load data, traverse et filter set weight

Project nu.	PI 20161
Date	19-02-2018
Technicien	m.m

FUEL LOAD DATA SHEET, CSA B415

Test Load Weight:

Lower	Ideal	Upper
14,6	16,2	17,9

* For boilers, a loading density factor of 10 lb/ft3 is applic

Load Volume: cu. ft Loading Density: 7,6 lbs./ft3

Number of Spaces: Load Density (wet): 37,7 lbs./ft3

Spacer weight: lbs Dry Wood Density: 31,0 lbs./ft3

Piece Size (in):			Weight lbs	Meter Moisture Content					Ave. MC x Weight	Volume Cubic Inches	Ave. MC %
Thick	Wide	Length		Dry Uncorrected %							
1,5	3,5	15,75	1,65	21,90	21,00	21,10	20,90	20,60	34,815	82,69	21,1
1,5	3,5	15,75	1,75	23,80	23,60	23,90	23,70	23,80	41,53248	82,69	23,8
1,5	3,5	15,75	1,56	19,10	19,60	19,30	19,90	19,20	30,33404	82,69	19,4
1,5	3,5	15,75	1,77	23,80	23,60	23,90	23,80	23,90	42,126	82,69	23,8
3,5	3,5	15,75	4,48	21,30	21,60	21,40	21,90	22,00	96,86064	192,94	21,6
3,5	3,5	15,75	4,03	21,10	21,40	21,90	21,60	21,30	86,39796	192,94	21,5
1,5	0,75	5	0,10			20,10			2,0502	5,63	20,1
1,5	0,75	5	0,09			20,30			1,827	5,63	20,3
1,5	0,75	5	0,12			20,40			2,448	5,63	20,4
1,5	0,75	5	0,09			20,80			1,9136	5,63	20,8
1,5	0,75	5	0,10			20,60			2,1424	5,63	20,6
1,5	0,75	5	0,10			20,90			2,1736	5,63	20,9
1,5	0,75	5	0,10			20,70			2,0286	5,63	20,7
1,5	0,75	5	0,10			20,70			2,07	5,63	20,7
1,5	0,75	5	0,11			20,90			2,3826	5,63	20,9
1,5	0,75	5	0,11			20,30			2,3142	5,63	20,3
1,5	0,75	5	0,11			20,40			2,1624	5,63	20,4
1,5	0,75	5	0,10			20,80			2,1216	5,63	20,8
1,5	0,75	5	0,12			20,90			2,4662	5,63	20,9
1,5	0,75	5	0,098			20,80			2,0384	5,63	20,8
1,5	0,75	5	0,108			20,40			2,2032	5,63	20,4
1,5	0,75	5	0,1			20,30			2,03	5,63	20,3
1,5	0,75	5	0,114			20,6			2,3484	5,63	20,6
1,5	0,75	5	0,108			20,9			2,2572	5,63	20,9
1,5	0,75	5	0,104			20,4			2,1216	5,63	20,4
1,5	0,75	5	0,098			20,6			2,0188	5,63	20,6
1,5	0,75	5	0,098			20,3			1,9894	5,63	20,3
1,5	0,75	5	0,102			19,6			1,9992	5,63	19,6
1,5	0,75	5	0,096			19,3			1,8528	5,63	19,3
1,5	0,75	5	0,098			19,4			1,9012	5,63	19,4
SUM MCx									382,92672		20,7 %

Test Load Weight: lbs. Dry Weight: kg.

Average Moisture Content: %

Dry: Dry(EPA) 21,61 Must be 19-25

Wet: must be 15,2-22

Coal Bed Range: lbs. to lbs.

TEST CHARGE: Coal bed weight: lbs.

Project nu.	PI 20161
Date	19-02-2018
Technicien	<input type="text" value="m.m"/>

Tunnel Traverse Worksheet (for velocity calculations)

Static Pressure: 0,38 in. H2O
 Barometer: 29,900 in. Hg

Pour un tunnel de 12" et plus, prendre 6 lectures

	TUNNEL VELOCITY	TUNNEL TEMP	SQUARE ROOT
	In. wc	°F	
A center			0,0000
B center			0,0000
A1			0,0000
A2			0,0000
A3			0,0000
A4			0,0000
A5			0,0000
A6			0,0000
B1			0,0000
B2			0,0000
B3			0,0000
B4			0,0000
B5			0,0000
B6			0,0000
AVERAGE	#DIV/0!	#DIV/0!	0,0000

PITOT CONSTANT=
0,953

Pour un tunnel moins de 12", prendre 4 lectures

	TUNNEL VELOCITY	TUNNEL TEMP	SQUARE ROOT
	In. wc	°F	
A center	0,060	83,13	0,2449
B center	0,059	83,1	0,2429
A1	0,049	83,1	0,2214
A2	0,062	83,06	0,2490
A3	0,052	82,98	0,2280
A4	0,050	82,9	0,2236
B1	0,049	82,930	0,2214
B2	0,059	82,990	0,2429
B3	0,051	83,140	0,2258
B4	0,051	83,230	0,2258
AVERAGE	0,0542	83,0560	0,2326

Project nu.	PI 20161
Date	19-02-2018
Technicien	m.m

Filter set weight

	System 1 (g) 1st hour				System 1 (g)				System 2 (g)				Ambient blank (g)	Date	Heure
	probe	front	back	gasket	probe	front	back	gasket	probe	front	back	gasket	Filter		
Number	7	211	212	9	15	213	214	24	19	215	216	25	217		
Before (1)															
Before (2)															
Before (3)															
Before (4)															
Before (5)	61,4766	0,1251	0,1260	34,9423	108,7845	0,1240	0,1289	35,3354	109,0923	0,1302	0,1270	35,0121	0,1299	15/02/2018	17:00
Before (6)	61,4767	0,1251	0,1261	34,9424	108,7844	0,1239	0,1290	35,3353	109,0924	0,1302	0,1271	35,0120	0,1300	19/02/2018	10:00
After (1)	61,4776	0,1248	0,1247	34,9466	108,7852	0,1237	0,1283	35,3380	109,0938	0,1312	0,1263	35,0155	0,1301	19/02/2018	20:00
After (2)	61,4773	0,1248	0,1247	34,9457	108,7851	0,1236	0,1283	35,3370	109,0935	0,1311	0,1263	35,0151	0,1301	22/02/2018	08:00
After (3)	61,4774	0,1248	0,1247	34,9458	108,7851	0,1237	0,1284	35,3371	109,0935	0,1311	0,1263	35,0151	0,1301	26/02/2018	08:00
After (4)															
After (5)															
After (6)	61,4774	0,1248	0,1247	34,9458	108,7851	0,1237	0,1284	35,3371	109,0935	0,1311	0,1263	35,0151	0,1301	26/02/2018	08:00
Difference	0,0007	-0,0003	-0,0014	0,0034	0,0007	-0,0002	-0,0006	0,0018	0,0011	0,0009	-0,0008	0,0031	0,0001		
Total (mg)		2,4				4,1				4,3			0,1		
Total ajusté (mg)		2,30				4,00				4,20					

Project nu.	PI 20161
Date	19-02-2018
Technicien	

Elapsed Time min	Raw data row	Weight Remaining lbs	CO %	CO ₂ %	O ₂ %	Flue Gas		Room	Tunnel	Unit	Unit	Unit	Unit	Unit	Catalyst	Catalyst	Catalyst
						Temp °F	Dry Bulb °F	Top °F	Back °F	R. Side °F	L. Side °F	Bottom °F	Down °F	Center °F	Up °F		
0,00	166,00	17,7	0,0	9,9	335,4	500,1	72,1	181,9	437,5	349,4	354,4	252,9	283,1	462,1	0,0	0,0	520,5
1,0	167,0	17,5	0,1	7,6	342,1	453,5	71,6	152,3	436,7	355,1	358,2	266,4	292,5	435,1	0,0	0,0	425,7
2,0	168,0	17,4	0,1	2,7	346,0	315,0	71,7	156,3	436,0	359,7	360,0	269,0	276,1	409,2	0,0	0,0	714,6
3,0	169,0	16,7	0,1	1,4	351,2	668,8	71,1	154,1	434,2	363,1	366,7	283,6	308,1	980,8	0,0	0,0	1082,7
4,0	170,0	16,5	0,2	2,6	354,7	628,5	71,0	158,3	435,3	366,7	367,1	289,8	314,5	1058,4	0,0	0,0	913,3
5,0	171,0	16,4	0,1	2,0	357,9	606,0	71,1	138,5	437,3	369,9	367,5	294,5	320,4	1009,9	0,0	0,0	859,9
6,0	172,0	16,3	0,0	10,2	361,0	562,8	71,1	118,1	441,3	372,4	368,0	298,4	325,1	1005,5	0,0	0,0	779,0
7,0	173,0	16,3	0,0	7,5	363,7	541,6	71,4	111,7	445,3	374,1	367,8	301,6	329,4	987,2	0,0	0,0	723,4
8,0	174,0	16,2	0,0	5,4	365,5	528,8	71,5	108,9	448,5	374,8	367,6	303,7	333,0	949,1	0,0	0,0	682,9
9,0	175,0	16,1	0,0	4,5	366,7	519,1	71,6	107,7	449,9	374,6	367,4	305,3	336,1	916,0	0,0	0,0	655,7
10,0	176,0	16,1	0,0	4,1	367,1	510,8	71,6	106,5	450,0	373,7	366,3	306,9	338,8	890,9	0,0	0,0	634,4
11,0	177,0	16,0	0,0	3,8	366,9	502,3	71,3	104,9	448,8	372,3	365,1	307,3	341,2	869,9	0,0	0,0	617,4
12,0	178,0	16,0	0,0	3,7	366,2	495,5	71,3	104,3	446,5	370,7	363,4	307,3	343,1	850,5	0,0	0,0	604,2
13,0	179,0	16,0	0,0	3,6	365,0	488,3	71,1	103,1	443,6	368,4	360,9	307,0	345,1	833,8	0,0	0,0	591,6
14,0	180,0	15,9	0,0	3,5	363,4	481,7	70,8	102,4	440,2	365,9	358,4	306,3	346,0	820,4	0,0	0,0	581,2
15,0	181,0	15,8	0,0	3,5	360,8	475,8	71,3	101,7	436,1	362,8	355,5	303,7	346,2	808,5	0,0	0,0	570,8
16,0	182,0	15,8	0,0	3,5	351,7	469,1	71,5	101,6	426,7	357,7	353,4	283,2	337,8	794,8	0,0	0,0	564,3
17,0	183,0	15,7	0,0	3,6	343,4	462,9	72,0	101,1	417,7	350,7	349,7	269,1	329,6	783,9	0,0	0,0	556,4
18,0	184,0	15,7	0,0	3,5	335,9	456,8	72,0	100,6	408,7	344,4	345,2	258,7	322,8	776,0	0,0	0,0	549,0
19,0	185,0	15,7	0,0	3,6	329,5	450,8	72,1	100,2	406,8	338,4	341,2	237,8	319,3	766,5	0,0	0,0	542,2
20,0	186,0	15,6	0,0	3,6	324,4	444,9	71,5	99,9	393,0	334,4	337,6	245,3	311,7	762,0	0,0	0,0	536,2
21,0	187,0	15,6	0,0	3,5	319,3	439,1	71,7	99,5	386,0	330,1	333,5	240,6	306,4	756,8	0,0	0,0	530,4
22,0	188,0	15,6	0,0	3,6	314,4	433,2	71,5	98,6	379,0	325,6	328,9	236,1	302,2	753,3	0,0	0,0	526,4
23,0	189,0	15,5	0,0	3,6	310,4	427,7	72,6	98,1	373,0	322,6	325,2	232,8	298,5	749,5	0,0	0,0	521,3
24,0	190,0	15,5	0,0	3,7	306,8	422,7	71,9	98,4	367,5	318,6	322,3	229,8	295,6	749,0	0,0	0,0	518,0
25,0	191,0	15,5	0,0	3,8	303,3	417,7	71,9	97,9	362,3	315,0	319,2	227,3	292,6	749,3	0,0	0,0	516,4
26,0	192,0	15,4	0,0	3,9	300,0	412,8	72,2	97,9	357,3	312,1	316,1	225,1	289,6	750,5	0,0	0,0	514,2
27,0	193,0	15,4	0,0	4,0	296,8	408,4	72,5	97,1	352,7	309,0	313,1	222,0	287,3	751,4	0,0	0,0	511,6
28,0	194,0	15,3	0,0	4,0	293,4	404,0	72,8	96,9	348,1	305,6	309,4	219,6	284,1	753,6	0,0	0,0	509,6
29,0	195,0	15,3	0,0	4,1	290,6	399,7	72,3	96,4	344,5	302,9	306,3	217,1	282,2	755,9	0,0	0,0	507,9
30,0	196,0	15,3	0,0	4,2	287,6	395,8	71,8	95,8	340,6	299,9	302,5	215,4	279,7	756,9	0,0	0,0	504,5
31,0	197,0	15,2	0,0	4,2	285,2	392,0	72,0	95,3	337,5	297,4	300,0	213,4	277,9	756,4	0,0	0,0	501,6
32,0	198,0	15,2	0,0	4,3	282,6	388,2	71,7	95,9	334,6	294,2	297,8	211,0	275,4	755,6	0,0	0,0	499,5
33,0	199,0	15,2	0,0	4,3	280,5	384,5	72,2	95,8	331,7	292,3	294,5	209,5	274,3	756,7	0,0	0,0	498,1
34,0	200,0	15,1	0,0	4,4	277,8	380,8	72,2	95,5	328,7	289,9	292,1	207,6	271,9	756,7	0,0	0,0	495,6
35,0	201,0	15,1	0,0	4,5	275,5	377,5	71,9	95,1	325,9	286,4	289,4	205,9	270,1	758,6	0,0	0,0	495,1
36,0	202,0	15,1	0,0	4,6	273,6	374,5	72,0	94,5	323,2	283,3	286,3	204,3	268,7	760,5	0,0	0,0	495,3
37,0	203,0	15,0	0,0	4,8	271,3	371,5	72,2	93,9	320,6	283,0	283,6	202,6	266,6	762,3	0,0	0,0	495,7
38,0	204,0	15,0	0,0	4,9	269,3	368,5	71,6	93,6	318,3	281,0	281,4	200,7	265,2	763,7	0,0	0,0	496,5
39,0	205,0	14,9	0,0	5,0	267,7	365,9	72,5	93,3	316,2	279,3	279,1	199,6	264,5	765,1	0,0	0,0	498,1
40,0	206,0	14,9	0,0	5,2	266,3	363,7	72,5	94,0	314,4	277,5	277,3	198,2	264,1	749,5	0,0	0,0	512,3
41,0	207,0	14,9	0,0	5,8	264,6	361,5	72,6	94,1	312,4	274,7	275,5	197,8	262,3	716,1	0,0	0,0	525,3
42,0	208,0	14,8	0,0	6,7	262,7	358,5	72,2	93,9	310,1	272,3	273,9	196,0	261,1	695,9	0,0	0,0	531,7
43,0	209,0	14,7	0,0	7,3	260,8	356,1	72,8	93,2	307,8	270,4	271,9	194,4	259,4	694,7	0,0	0,0	543,0
44,0	210,0	14,7	0,0	7,7	258,9	354,1	73,0	93,0	305,5	268,7	270,0	193,1	257,3	705,4	0,0	0,0	549,8
45,0	211,0	14,6	0,0	8,0	257,4	352,9	73,1	92,8	303,8	266,9	268,3	192,3	256,3	719,3	0,0	0,0	553,7
46,0	212,0	14,6	0,0	7,8	256,1	350,6	73,0	92,0	301,8	265,6	266,8	191,3	255,2	723,8	0,0	0,0	551,3
47,0	213,0	14,5	0,0	7,5	254,9	348,9	73,0	91,9	300,7	264,5	264,7	190,4	254,1	728,1	0,0	0,0	547,5
48,0	214,0	14,5	0,0	7,3	253,7	347,8	73,0	92,8	299,8	262,8	262,8	189,4	253,8	730,5	0,0	0,0	547,8
49,0	215,0	14,4	0,0	7,4	252,8	346,3	73,1	92,7	298,8	262,4	261,0	188,7	253,1	733,7	0,0	0,0	548,5
50,0	216,0	14,4	0,0	7,6	251,3	345,2	73,0	92,4	297,9	260,7	259,0	187,9	251,4	738,5	0,0	0,0	555,3
51,0	217,0	14,3	0,0	8,0	250,3	344,4	73,0	92,0	297,3	259,2	257,9	186,9	250,2	746,9	0,0	0,0	561,9
52,0	218,0	14,3	0,0	8,4	249,3	343,9	73,0	91,8	296,8	257,5	256,4	186,3	249,1	760,5	0,0	0,0	563,1
53,0	219,0	14,2	0,0	8,4	248,5	343,5	73,2	91,4	296,1	256,6	255,2	185,5	248,6	778,2	0,0	0,0	566,6
54,0	220,0	14,2	0,0	8,3	247,7	343,6	72,9	90,9	296,6	255,7	254,1	184,6	247,4	789,8	0,0	0,0	571,6
55,0	221,0	14,2	0,0	8,3	247,2	343,5	73,1	90,7	297,1	254,9	252,9	184,5	246,8	795,3	0,0	0,0	574,6
56,0	222,0	14,1	0,0	8,5	246,5	343,4	73,1	91,4	297,8	253,9	251,6	183,7	245,7	798,4	0,0	0,0	578,6
57,0	223,0	14,1	0,0	8,7	246,0	343,6	72,9	91,9	298,3	253,3	250,3	183,1	245,2	800,7	0,0	0,0	585,5
58,0	224,0	14,0	0,0	9,0	245,4	343,3	72,9	91,5	298,9	251,9	248,9	182,6	244,5	803,7	0,0	0,0	595,1
59,0	225,0	13,9	0,0	9,5	244,5	343,4	73,0	91,1	299,4	250,5	247,7	181,6	243,2	803,4	0,0	0,0	605,2
60,0	226,0	13,9	0,0	10,1	244,0	343,3	73,1	90,9	299,9	250,1	246,5	181,1	242,5	811,7	0,0	0,0	613,6
61,0	227,0	13,8	0,0	10,5	243,9	343,7	73,0	90,6	300,7	249,2	245,6	180,8	241,3	821,3	0,0	0,0	621,6
62,0	228,0	13,8	0,0	10,4	243,3	344,6	73,0	90,2	301,5	248,3	245,1	180,2	241,5	841,0	0,0	0,0	628,2
63,0	229,0	13,7	0,0	10,3	243,1	345,8	73,3	90,0	302,6	248,0	243,8	180,1	241,1	850,0	0,0	0,0	628,9
64,0	230,0	13,6	0,0	10,2	242,8	346,1	73,2	90,8	304,0	247,3	242,9	179,7	240,0	858,9	0,0	0,0	634,0
65,0	231,0	13,6	0,0	10,3	242,5	347,1	73,3	91,3	305,4	246,3	242,1	179,4	239,3	867,5	0,0	0,0	640,2
66,0	232,0	13,5	0,0	10,5	242,1	347,7	73,1	90,9	306,9	245,4	240,9	178,9	238,3	877,2	0,0	0,0	645,7
67,0	233,0	13,5	0,0	10,6	242,1	349,3	73,2	90,6	308,4	245,3	240,6	178,7	237,8	885,2	0,0	0,0	649,2
68,0	234,0	13,4	0,0	10,7	242,2	350,2	73,2	90,5	310,0	245,1	239,9	178,5	237,4	892,1	0,0	0,0	652,4
69,0	235,0	13,4	0,0														

126.0	292.0	8,8	0,0	14,0	270,6	436,6	74,9	93,5	424,0	267,5	248,1	189,7	223,9	1036,3	0,0	937,1
127.0	293.0	8,8	0,0	13,9	270,9	435,5	74,9	93,5	423,1	268,6	248,9	190,0	224,0	1036,6	0,0	938,5
128.0	294.0	8,7	0,1	13,9	271,3	436,9	74,9	93,5	422,3	269,5	249,8	190,6	224,3	1033,7	0,0	945,1
129.0	295.0	8,7	0,0	13,8	271,3	435,6	74,8	93,2	421,3	269,3	249,9	190,9	224,3	1044,7	0,0	949,3
130.0	296.0	8,6	0,0	13,8	271,4	434,9	74,8	92,9	421,8	270,6	250,0	191,6	224,0	1038,4	0,0	891,1
131.0	297.0	8,6	0,0	13,6	271,4	434,7	74,5	92,6	419,9	271,1	250,4	192,0	223,5	1035,6	0,0	915,4
132.0	298.0	8,5	0,0	13,6	271,6	433,4	74,5	92,8	419,2	271,4	251,7	192,3	223,4	1029,0	0,0	876,7
133.0	299.0	8,5	0,0	13,3	271,7	434,3	74,7	94,1	419,0	271,8	251,9	192,8	223,1	1081,7	0,0	897,4
134.0	300.0	8,4	0,0	13,7	272,2	434,7	74,9	93,8	419,3	273,2	252,4	193,4	223,0	1111,9	0,0	918,8
135.0	301.0	8,3	0,0	14,2	272,7	436,2	74,8	93,5	420,3	274,0	253,1	193,6	222,6	1125,3	0,0	928,0
136.0	302.0	8,3	0,0	14,4	273,4	436,9	75,0	93,6	422,0	275,1	253,5	194,2	222,4	1133,6	0,0	932,7
137.0	303.0	8,2	0,0	14,5	273,8	437,4	74,9	93,5	423,7	274,9	254,7	194,0	221,9	1141,0	0,0	938,4
138.0	304.0	8,2	0,1	14,6	274,6	436,5	74,9	93,0	425,2	276,2	254,9	194,8	222,1	1115,6	0,0	956,6
139.0	305.0	8,1	0,1	14,3	275,5	437,5	74,8	93,2	426,6	277,1	256,0	195,4	222,2	1070,9	0,0	995,2
140.0	306.0	8,0	0,0	13,8	276,0	436,8	74,7	92,8	426,9	278,4	256,8	195,5	222,5	1050,5	0,0	949,5
141.0	307.0	8,0	0,0	13,8	276,2	435,8	75,0	92,3	426,4	278,8	257,5	196,4	222,2	1038,4	0,0	928,7
142.0	308.0	7,9	0,0	13,6	276,3	436,0	74,9	94,4	425,5	279,3	257,9	196,7	222,2	1032,6	0,0	991,3
143.0	309.0	7,9	0,0	13,7	276,5	434,7	74,8	93,8	424,3	280,6	258,0	197,3	222,2	1022,3	0,0	926,8
144.0	310.0	7,8	0,0	13,6	276,0	434,4	75,1	93,6	422,8	280,7	258,2	197,0	221,5	1023,8	0,0	885,2
145.0	311.0	7,7	0,0	13,1	276,3	435,2	75,1	93,5	421,8	282,1	259,1	197,4	221,2	1081,1	0,0	901,8
146.0	312.0	7,7	0,0	13,8	276,8	435,7	75,3	93,6	421,7	282,9	260,1	198,3	220,9	1107,7	0,0	921,4
147.0	313.0	7,6	0,0	14,2	277,3	436,6	75,1	93,4	422,6	283,9	261,2	198,4	220,7	1121,3	0,0	928,0
148.0	314.0	7,6	0,0	14,4	278,1	436,9	75,2	93,0	423,8	284,6	262,3	199,1	220,7	1132,4	0,0	935,9
149.0	315.0	7,5	0,1	14,5	279,0	437,4	75,1	93,0	425,5	286,0	263,1	199,5	220,8	1138,8	0,0	943,0
150.0	316.0	7,4	0,1	14,6	279,7	438,9	75,3	92,9	427,4	286,8	263,1	200,0	221,1	1144,8	0,0	947,0
151.0	317.0	7,4	0,1	14,7	280,0	439,4	75,1	93,6	429,1	286,7	263,6	200,0	220,6	1148,3	0,0	950,6
152.0	318.0	7,3	0,1	14,8	280,8	439,2	75,2	93,4	430,4	287,9	264,1	200,8	220,6	1152,5	0,0	955,5
153.0	319.0	7,3	0,1	14,9	280,8	441,2	75,2	93,9	431,7	287,6	264,2	201,0	219,8	1156,1	0,0	958,5
154.0	320.0	7,2	0,1	15,0	281,7	441,8	75,2	93,7	433,4	288,9	264,8	201,4	219,9	1159,6	0,0	956,5
155.0	321.0	7,1	0,2	15,0	282,5	442,4	75,3	93,7	435,1	290,6	265,7	201,5	219,4	1161,6	0,0	962,4
156.0	322.0	7,1	0,2	15,1	283,1	442,9	75,2	93,7	436,2	291,9	266,0	202,1	219,5	1166,2	0,0	968,5
157.0	323.0	7,0	0,2	15,2	283,9	444,0	75,3	93,3	437,7	293,2	266,9	202,4	219,3	1169,0	0,0	972,5
158.0	324.0	7,0	0,3	15,3	284,6	445,3	75,2	93,1	439,2	294,3	267,7	202,6	219,0	1170,8	0,0	977,8
159.0	325.0	6,9	0,4	15,4	285,2	446,2	75,3	93,0	440,4	295,1	268,4	203,2	219,0	1174,5	0,0	983,0
160.0	326.0	6,9	0,4	15,5	286,1	447,0	75,5	93,2	442,0	296,5	269,1	203,8	219,2	1175,6	0,0	986,9
161.0	327.0	6,7	0,6	15,6	286,7	448,2	75,3	94,1	443,3	297,5	269,4	204,2	219,1	1172,8	0,0	987,7
162.0	328.0	6,7	0,8	15,6	287,3	449,7	75,3	94,4	444,3	298,8	269,3	204,8	219,1	1169,9	0,0	991,3
163.0	329.0	6,7	0,9	15,8	287,5	450,9	75,2	94,3	445,0	299,0	270,3	205,1	218,2	1172,8	0,0	996,5
164.0	330.0	6,6	0,9	15,8	288,5	451,6	75,6	94,2	447,7	300,0	271,2	205,3	218,3	1171,8	0,0	996,6
165.0	331.0	6,5	1,0	15,8	289,2	452,8	75,5	93,9	448,9	301,4	272,2	205,7	218,1	1173,5	0,0	996,8
166.0	332.0	6,5	1,0	15,8	289,8	452,9	75,5	93,9	449,8	302,8	272,7	206,0	217,7	1171,0	0,0	998,6
167.0	333.0	6,4	1,1	15,8	290,5	454,5	75,6	93,9	450,9	304,1	273,3	206,5	217,6	1173,4	0,0	1000,2
168.0	334.0	6,3	1,1	15,7	291,0	454,7	75,6	93,8	452,0	304,9	273,8	207,0	217,4	1175,2	0,0	1000,4
169.0	335.0	6,2	1,0	15,7	291,8	456,1	75,6	93,5	453,0	306,8	274,3	207,7	217,4	1175,9	0,0	1002,5
170.0	336.0	6,2	0,9	15,7	292,7	457,2	75,6	93,6	454,4	307,8	275,3	208,5	217,7	1180,8	0,0	1002,5
171.0	337.0	6,1	0,7	15,7	293,3	457,9	75,6	94,4	455,3	308,3	276,0	208,9	217,3	1182,6	0,0	999,6
172.0	338.0	6,1	0,5	15,5	293,6	458,1	75,7	94,6	456,8	309,4	276,7	209,4	217,6	1185,1	0,0	995,2
173.0	339.0	6,0	0,4	15,4	294,1	458,5	75,7	94,2	456,6	310,3	276,9	209,4	217,2	1185,2	0,0	988,8
174.0	340.0	6,0	0,3	15,1	295,1	458,8	75,7	94,2	457,8	312,1	277,7	210,1	217,6	1182,5	0,0	981,8
175.0	341.0	5,9	0,2	14,9	295,7	459,3	75,8	94,2	458,6	312,7	278,6	210,9	217,9	1177,3	0,0	975,2
176.0	342.0	5,8	0,2	14,7	296,1	459,3	75,8	93,8	458,9	313,6	279,1	211,4	217,4	1173,1	0,0	968,0
177.0	343.0	5,8	0,2	14,5	296,4	458,5	75,7	93,7	458,6	314,5	279,9	211,9	217,2	1167,6	0,0	962,7
178.0	344.0	5,7	0,2	14,3	296,7	458,8	75,8	93,6	458,2	315,7	280,3	212,2	217,4	1163,7	0,0	959,2
179.0	345.0	5,7	0,1	14,2	297,3	458,7	75,8	93,6	459,2	316,7	280,9	213,2	217,5	1160,2	0,0	952,4
180.0	346.0	5,6	0,2	14,2	297,6	459,0	75,6	93,6	459,8	317,5	281,2	213,9	217,5	1156,7	0,0	948,0
181.0	347.0	5,6	0,2	14,2	297,6	459,0	75,5	94,7	457,3	318,2	281,5	214,0	217,3	1156,2	0,0	948,6
182.0	348.0	5,5	0,1	14,4	297,8	458,1	75,8	94,7	455,6	319,7	281,4	214,4	217,8	1155,6	0,0	951,2
183.0	349.0	5,4	0,2	14,5	298,1	457,1	75,7	94,5	455,3	320,4	282,5	214,9	217,5	1156,3	0,0	949,7
184.0	350.0	5,4	0,2	14,4	298,3	457,5	75,5	94,2	454,9	320,7	283,2	215,7	217,2	1157,7	0,0	950,0
185.0	351.0	5,3	0,2	14,4	298,5	457,1	75,7	94,1	454,0	321,6	283,4	216,1	217,4	1157,5	0,0	950,5
186.0	352.0	5,3	0,2	14,5	298,7	456,2	75,6	94,0	453,6	322,5	284,5	215,9	216,8	1158,9	0,0	956,6
187.0	353.0	5,2	0,2	14,6	299,0	456,9	75,7	94,0	453,0	323,6	285,0	216,2	217,1	1161,5	0,0	957,8
188.0	354.0	5,1	0,2	14,6	299,2	457,3	75,8	94,1	454,0	324,4	285,6	216,7	217,3	1163,7	0,0	962,6
189.0	355.0	5,1	0,3	14,8	300,3	457,2	75,7	93,7	453,2	326,5	285,9	218,0	217,8	1166,8	0,0	971,6
190.0	356.0	5,1	0,3	14,9	300,4	457,8	75,8	94,1	453,2	326,5	286,4	218,2	217,5	1168,7	0,0	972,8
191.0	357.0	5,0	0,3	14,9	300,4	457,4	75,8	94,3	452,9	326,5	286,8	218,3	217,5	1169,5	0,0	978,3
192.0	358.0	5,0	0,4	15,1	300,4	457,3	75,7	94,8	452,6	326,5	287,6	218,6	217,7	1170,5	0,0	984,3
193.0	359.0	4,9	0,4	15,2	301,2	457,7	75,7	94,6	453,1	328,3	288,0	219,4	217,3	1174,8	0,0	988,4
194.0	360.0	4,8	0,4	15,2	301,4	457,3	75,6	94,5	453,5	328,6	288,5	219,6	216,8	1172,3	0,0	990,4
195.0	361.0	4,8	0,5	15,3	301,9	457,7	75,7	94,4	453,6	329,9	289,0	220,1	216,7	1173,2	0,0	993,2
196.0	362.0	4,7	0,5	15,3	302,5	458,0	75,8	94,2	454,8	330,5	289,4	220,6	217,1	1175,9	0,0	995,8
197.0	363.0	4,7	0,7	15,5	302,9	457,9	75,7	94,0	455,3	332,0	290,4	221,4	217,4	1180,4	0,0	997,4
198.0	364.0	4,6	0,5	15,4	304,0	458,3	75,8	93,7	456,3	332,3	291,5	222,0	217,7	1177,3	0,0	998,4
199.0	365.0	4,6	0,5	15,4	304,5	459,1	76,0	93,6	4							

255.0	421.0	3.2	0.0	10.6	295.4	385.4	75.5	90.7	363.8	362.0	298.9	234.0	218.2	920.3	0.0	745.7
256.0	422.0	3.2	0.0	10.6	295.5	384.4	75.4	90.4	363.4	362.5	299.1	234.2	218.5	919.0	0.0	744.5
257.0	423.0	3.2	0.0	10.5	295.4	383.7	75.5	90.2	362.7	362.7	299.1	234.4	217.9	916.2	0.0	741.0
258.0	424.0	3.2	0.0	10.5	294.9	383.3	75.4	90.0	361.7	362.3	298.4	234.4	217.3	914.0	0.0	740.2
259.0	425.0	3.2	0.0	10.4	295.0	381.4	75.5	89.9	361.2	361.8	298.7	234.5	217.5	912.8	0.0	737.4
260.0	426.0	3.1	0.0	10.4	294.7	381.4	75.6	90.5	360.5	363.0	298.3	234.2	217.3	910.9	0.0	736.5
261.0	427.0	3.1	0.0	10.4	294.4	380.6	75.4	90.5	359.3	363.6	297.6	234.1	217.4	907.9	0.0	734.2
262.0	428.0	3.1	0.0	10.3	293.4	380.0	75.3	90.7	358.2	361.9	297.3	233.3	216.3	905.7	0.0	731.9
263.0	429.0	3.1	0.0	10.3	293.6	378.5	75.4	90.3	357.6	363.4	297.3	233.1	216.6	902.8	0.0	730.5
264.0	430.0	3.1	0.0	10.2	293.5	377.1	75.4	90.2	356.5	364.0	297.0	233.4	216.5	900.5	0.0	727.2
265.0	431.0	3.1	0.0	10.2	293.2	376.7	75.3	90.1	355.9	363.9	296.8	233.3	216.2	899.8	0.0	726.1
266.0	432.0	3.0	0.0	10.2	293.4	375.5	75.4	89.8	355.2	364.7	297.4	233.5	216.2	898.9	0.0	724.2
267.0	433.0	3.0	0.0	10.2	293.1	374.5	75.3	89.7	354.3	365.1	296.9	233.0	216.0	897.2	0.0	722.0
268.0	434.0	3.0	0.0	10.1	292.8	373.8	75.4	89.5	353.6	365.0	296.7	233.2	215.7	895.8	0.0	720.9
269.0	435.0	3.0	0.0	10.1	292.7	373.7	75.4	89.3	352.8	365.2	296.7	233.1	215.8	895.6	0.0	720.2
270.0	436.0	3.0	0.0	10.1	292.6	373.3	75.5	89.6	352.1	365.7	296.7	233.1	215.3	893.3	0.0	720.1
271.0	437.0	2.9	0.0	10.2	292.4	372.7	75.5	90.0	351.5	365.8	296.3	233.5	215.0	890.8	0.0	719.3
272.0	438.0	2.9	0.0	10.2	292.0	371.7	75.3	90.2	350.6	365.4	296.0	233.2	214.9	889.7	0.0	717.0
273.0	439.0	2.9	0.0	10.1	292.0	370.7	75.3	89.9	350.1	366.2	295.6	233.3	214.9	887.9	0.0	716.0
274.0	440.0	2.9	0.0	10.2	291.7	369.6	75.4	89.8	349.1	366.2	295.2	233.4	214.6	889.1	0.0	714.8
275.0	441.0	2.9	0.0	10.1	291.8	369.6	75.4	89.6	348.7	367.2	295.0	233.4	214.7	887.8	0.0	713.4
276.0	442.0	2.9	0.0	10.1	291.5	368.4	75.4	89.3	347.8	366.8	294.7	233.7	214.4	885.4	0.0	712.4
277.0	443.0	2.8	0.0	10.1	291.6	367.5	75.3	89.2	347.5	367.2	295.2	233.6	214.7	884.3	0.0	710.5
278.0	444.0	2.8	0.0	10.0	291.5	366.7	75.3	89.1	346.9	367.4	294.7	233.6	214.8	882.0	0.0	710.8
279.0	445.0	2.8	0.0	10.1	291.5	367.0	75.2	88.8	346.5	367.8	294.3	234.0	214.8	880.6	0.0	709.8
280.0	446.0	2.8	0.0	10.0	291.1	365.8	75.4	88.6	346.1	367.7	293.7	233.6	214.5	877.9	0.0	708.4
281.0	447.0	2.8	0.0	10.0	290.5	364.7	75.1	90.0	345.4	366.4	293.3	233.5	214.2	875.9	0.0	707.0
282.0	448.0	2.8	0.0	10.0	290.3	365.0	75.2	89.8	344.8	366.5	292.6	233.5	214.1	874.7	0.0	705.9
283.0	449.0	2.8	0.0	10.0	290.0	364.3	75.3	89.7	344.2	366.2	292.7	233.8	213.3	871.5	0.0	704.8
284.0	450.0	2.7	0.0	10.0	290.0	364.3	75.3	89.5	343.5	367.1	292.4	234.2	213.4	870.6	0.0	703.6
285.0	451.0	2.7	0.0	10.0	289.9	363.0	75.5	89.3	342.9	366.9	292.4	234.3	212.9	868.8	0.0	703.9
286.0	452.0	2.7	0.0	10.0	289.6	362.9	75.4	89.1	342.1	366.8	292.3	234.0	212.8	867.5	0.0	703.5
287.0	453.0	2.7	0.0	10.0	289.3	361.1	75.4	88.8	341.4	366.5	292.0	234.2	212.2	866.4	0.0	703.6
288.0	454.0	2.7	0.0	10.0	289.0	361.1	75.3	88.7	341.2	366.2	291.7	234.2	212.0	865.7	0.0	702.4
289.0	455.0	2.6	0.0	10.0	288.7	361.0	75.3	88.6	340.6	365.8	291.3	234.2	211.7	864.2	0.0	701.0
290.0	456.0	2.6	0.0	10.0	288.6	360.7	75.4	88.3	340.1	366.9	290.4	233.9	212.0	863.0	0.0	700.2
291.0	457.0	2.6	0.0	9.9	288.5	359.4	75.5	89.7	339.9	366.2	290.0	234.3	211.9	859.6	0.0	695.1
292.0	458.0	2.6	0.0	10.0	288.2	357.0	75.6	89.3	339.0	366.5	289.2	234.4	212.0	849.9	0.0	691.2
293.0	459.0	2.6	0.0	11.0	287.4	357.2	75.4	89.5	337.9	364.9	288.8	234.1	211.2	797.0	0.0	678.2
294.0	460.0	2.5	0.0	10.8	287.5	355.9	75.4	89.2	336.8	366.3	288.8	234.3	211.3	777.7	0.0	671.5
295.0	461.0	2.5	0.0	10.6	287.1	354.4	75.6	89.1	335.1	366.9	288.5	234.2	210.9	768.4	0.0	671.6
296.0	462.0	2.5	0.0	10.5	286.5	353.4	75.4	88.9	333.0	366.6	288.7	233.7	210.8	764.8	0.0	672.4
297.0	463.0	2.5	0.0	10.4	286.1	351.7	75.5	88.5	331.5	367.2	287.9	233.8	210.3	761.9	0.0	672.2
298.0	464.0	2.4	0.0	10.3	285.8	350.7	75.4	88.3	329.6	367.7	287.5	233.9	210.5	761.0	0.0	672.7
299.0	465.0	2.4	0.0	10.3	285.4	349.6	75.3	88.2	328.1	368.3	287.4	233.0	210.3	760.5	0.0	673.6
300.0	466.0	2.4	0.0	10.2	285.7	348.4	75.4	88.0	327.0	368.6	287.7	233.7	210.7	760.0	0.0	673.1
301.0	467.0	2.4	0.0	10.2	285.5	347.3	75.4	88.0	326.8	368.5	287.7	233.8	211.1	759.3	0.0	672.3
302.0	468.0	2.4	0.0	10.2	285.2	346.2	75.5	88.8	323.9	369.9	287.6	233.6	210.9	759.2	0.0	672.7
303.0	469.0	2.3	0.0	10.2	284.7	345.0	75.5	89.2	322.8	369.1	287.4	233.3	210.9	759.0	0.0	672.5
304.0	470.0	2.3	0.0	10.1	284.7	343.3	75.5	88.8	321.6	370.0	288.0	232.9	211.0	759.1	0.0	672.9
305.0	471.0	2.3	0.0	10.1	284.7	342.2	75.4	88.6	320.7	370.4	288.1	233.2	211.0	759.6	0.0	669.4
306.0	472.0	2.3	0.0	10.1	284.7	341.9	75.4	88.3	319.8	371.1	288.3	233.1	211.5	761.5	0.0	669.7
307.0	473.0	2.3	0.0	10.1	284.9	341.2	75.5	88.1	318.9	371.5	289.0	233.0	212.0	764.5	0.0	669.3
308.0	474.0	2.3	0.0	10.0	285.0	340.7	75.4	87.9	318.5	371.5	289.7	233.1	212.2	766.1	0.0	668.4
309.0	475.0	2.3	0.0	10.0	284.9	340.1	75.4	87.8	318.0	371.4	290.1	233.5	212.4	767.0	0.0	668.9
310.0	476.0	2.2	0.0	10.0	284.9	339.2	75.3	87.7	317.5	371.6	290.4	233.2	213.0	767.4	0.0	668.7
311.0	477.0	2.3	0.0	10.0	284.8	337.9	75.4	87.9	316.6	371.4	290.4	232.3	213.4	766.8	0.0	666.8
312.0	478.0	2.2	0.0	10.0	284.8	337.3	75.3	88.9	316.1	371.6	290.6	232.2	213.6	766.0	0.0	666.3
313.0	479.0	2.2	0.0	10.0	284.6	335.3	75.3	88.7	315.5	371.7	289.7	231.8	214.4	765.5	0.0	665.7
314.0	480.0	2.2	0.0	9.9	284.4	335.7	75.3	88.5	315.2	371.0	290.1	231.5	213.9	763.7	0.0	663.6
315.0	481.0	2.2	0.0	9.9	284.3	335.2	75.4	88.2	314.8	370.2	290.6	231.8	214.1	763.0	0.0	663.0
316.0	482.0	2.2	0.0	9.9	284.3	334.7	75.5	88.1	314.1	370.5	291.1	231.5	214.6	763.1	0.0	661.7
317.0	483.0	2.1	0.0	9.8	284.3	333.9	75.4	88.0	313.8	369.6	291.4	231.2	214.2	760.0	0.0	660.4
318.0	484.0	2.1	0.0	9.8	284.0	332.9	75.4	87.6	313.3	369.6	291.7	230.7	214.6	762.7	0.0	658.7
319.0	485.0	2.1	0.0	9.8	283.9	332.7	75.2	87.3	312.9	369.4	291.9	230.3	215.0	762.3	0.0	656.4
320.0	486.0	2.1	0.0	9.8	283.9	331.8	75.2	87.3	312.5	369.2	292.0	230.2	215.4	760.1	0.0	655.4
321.0	487.0	2.0	0.0	9.8	284.4	331.2	75.3	87.1	312.5	370.5	292.2	230.3	216.4	756.8	0.0	654.0
322.0	488.0	2.1	0.0	9.8	283.9	330.2	75.2	88.3	311.8	369.3	291.8	229.8	216.6	754.2	0.0	652.4
323.0	489.0	2.0	0.0	9.7	283.7	330.0	75.2	87.9	311.3	368.6	291.8	229.9	216.8	752.9	0.0	653.0
324.0	490.0	2.0	0.0	9.7	282.8	327.6	75.3	88.3	310.4	367.0	291.2	229.1	216.5	751.4	0.0	650.3
325.0	491.0	2.0	0.0	9.7	283.5	328.0	75.2	88.1	310.1	368.4	291.8	229.6	217.4	748.2	0.0	650.5
326.0	492.0	2.0	0.0	10.3	283.2	327.5	75.3	88.7	309.8	367.7	292.4	229.2	217.7	739.7	0.0	653.3
327.0	493.0	2.0	0.0	11.2	283.1	327.4	75.3	87.6	309.1	367.5	292.5	229.0	217.4	733.7	0.0	655.5
328.0	494.0	1.9	0.0	11.2	282.9	326.2	75.2	87.4	308.3	367.4	292.6	228.8	217.2	731.0	0.0	658.0
329.0	495.															

384,0	550,0	1,0	0,0	10,1	277,7	305,9	75,2	86,8	291,4	353,6	285,0	223,7	234,7	694,9	0,0	623,4
385,0	551,0	0,9	0,0	10,1	277,3	306,0	75,1	86,5	291,1	352,4	284,4	223,9	234,7	695,7	0,0	624,0
386,0	552,0	0,9	0,0	10,1	276,9	304,6	75,2	86,5	290,8	351,6	284,0	223,6	234,4	695,9	0,0	621,2
387,0	553,0	0,9	0,0	9,9	277,0	305,0	75,1	86,1	290,4	352,3	283,4	223,6	235,2	697,3	0,0	621,3
388,0	554,0	0,9	0,0	10,0	277,1	304,9	75,3	86,0	290,0	352,5	283,8	223,5	235,7	698,9	0,0	623,3
389,0	555,0	0,9	0,0	10,0	277,1	304,6	75,1	85,9	289,7	352,4	283,5	223,4	236,4	696,0	0,0	624,4
390,0	556,0	0,9	0,0	10,0	277,0	303,8	75,1	85,7	289,5	351,9	283,3	223,4	236,8	693,7	0,0	623,2
391,0	557,0	0,8	0,0	10,1	277,0	303,8	75,1	85,6	289,3	351,6	282,9	223,7	237,5	693,5	0,0	624,2
392,0	558,0	0,8	0,0	10,1	277,1	303,1	75,1	85,4	289,4	351,8	283,1	223,6	237,9	694,5	0,0	622,6
393,0	559,0	0,9	0,0	10,0	277,5	302,5	75,3	85,2	289,3	352,3	282,7	224,2	239,1	695,0	0,0	622,8
394,0	560,0	0,8	0,0	9,9	277,4	302,3	75,4	86,9	289,1	352,1	282,4	223,9	239,4	695,6	0,0	622,9
395,0	561,0	0,8	0,0	9,9	277,4	302,7	75,2	86,5	288,9	351,8	281,9	224,2	240,4	697,2	0,0	623,6
396,0	562,0	0,8	0,0	9,9	276,8	302,2	75,1	86,5	288,7	350,3	281,1	223,8	240,4	698,3	0,0	624,2
397,0	563,0	0,8	0,0	9,9	277,3	302,5	75,2	86,2	288,7	351,5	281,1	223,9	241,2	696,6	0,0	621,3
398,0	564,0	0,8	0,0	9,6	277,2	301,5	75,1	86,0	288,6	351,2	281,0	223,5	241,9	695,1	0,0	619,8
399,0	565,0	0,7	0,0	9,6	277,3	300,6	75,2	85,8	288,5	350,8	281,0	223,9	242,1	695,8	0,0	619,4
400,0	566,0	0,7	0,0	9,6	277,3	300,9	75,2	85,6	288,5	351,5	280,3	223,6	242,7	696,5	0,0	620,4
401,0	567,0	0,7	0,0	9,6	276,9	301,9	75,1	85,4	288,4	349,9	279,8	223,5	242,7	696,9	0,0	620,0
402,0	568,0	0,7	0,0	9,5	276,8	301,3	75,1	85,3	288,3	349,8	279,8	223,3	242,9	698,2	0,0	619,0
403,0	569,0	0,7	0,0	9,5	276,9	301,7	75,0	85,2	288,3	349,7	279,6	223,4	243,5	700,0	0,0	619,2
404,0	570,0	0,6	0,0	9,5	276,8	301,1	75,2	86,1	288,3	349,9	279,1	222,7	244,2	694,6	0,0	620,7
405,0	571,0	0,6	0,0	10,5	276,8	301,0	75,2	86,2	288,1	349,7	278,9	222,7	244,8	680,6	0,0	618,2
406,0	572,0	0,6	0,0	10,6	276,5	301,0	75,1	86,5	287,8	349,1	278,3	222,4	245,0	672,7	0,0	616,5
407,0	573,0	0,6	0,0	10,5	276,5	300,4	75,0	86,1	287,3	349,0	278,5	222,1	245,5	667,1	0,0	616,4
408,0	574,0	0,6	0,0	10,3	276,3	299,4	75,2	86,0	286,6	348,8	278,1	222,0	246,0	664,3	0,0	615,4
409,0	575,0	0,6	0,0	10,2	276,1	298,3	75,1	85,8	286,2	348,0	277,8	222,2	246,3	662,6	0,0	614,7
410,0	576,0	0,6	0,0	10,1	275,4	297,8	74,9	85,6	285,4	346,3	277,6	221,8	246,0	661,5	0,0	613,7
411,0	577,0	0,5	0,0	10,0	275,3	297,4	75,0	85,4	284,7	346,3	277,1	221,7	246,7	661,0	0,0	612,1
412,0	578,0	0,5	0,0	10,0	275,1	297,0	75,0	85,2	284,4	345,2	276,9	221,9	247,1	660,7	0,0	609,7
413,0	579,0	0,5	0,0	9,8	275,1	296,6	75,0	85,1	284,0	345,1	276,6	221,8	247,8	660,8	0,0	609,6
414,0	580,0	0,5	0,0	9,8	274,9	297,2	75,2	85,3	283,5	344,4	276,3	221,7	248,4	660,8	0,0	607,6
415,0	581,0	0,5	0,0	9,8	275,0	296,5	75,0	86,7	283,3	344,1	276,3	221,7	249,5	660,9	0,0	608,6
416,0	582,0	0,5	0,0	9,8	274,6	296,4	75,2	86,3	282,9	342,9	275,2	221,5	250,3	661,6	0,0	608,6
417,0	583,0	0,5	0,0	9,7	274,2	294,4	75,0	86,1	282,5	341,6	275,0	221,4	250,4	660,3	0,0	609,1
418,0	584,0	0,4	0,0	9,6	274,2	295,0	75,0	86,0	282,2	341,1	274,6	221,8	251,4	657,1	0,0	608,6
419,0	585,0	0,4	0,0	9,6	274,1	295,1	75,0	85,8	281,8	340,9	274,7	221,3	252,0	652,5	0,0	606,6
420,0	586,0	0,4	0,0	9,6	273,8	293,2	74,9	85,6	281,3	339,6	274,5	221,4	252,3	651,0	0,0	606,5
421,0	587,0	0,3	0,0	9,6	274,0	294,2	75,1	85,3	281,1	339,6	274,6	221,2	253,4	651,2	0,0	605,7
422,0	588,0	0,3	0,0	9,5	273,9	294,4	75,0	85,2	280,8	339,0	274,3	221,6	254,1	652,2	0,0	606,5
423,0	589,0	0,3	0,0	9,5	273,8	293,4	74,9	84,9	280,6	337,8	274,2	221,5	254,7	652,2	0,0	607,4
424,0	590,0	0,3	0,0	9,5	273,4	293,4	75,0	84,8	280,3	336,2	274,2	221,1	255,4	653,2	0,0	608,6
425,0	591,0	0,3	0,0	9,5	273,6	292,9	75,2	85,9	279,9	336,6	273,7	221,3	256,6	653,5	0,0	608,2
426,0	592,0	0,3	0,0	9,5	273,2	292,8	75,2	85,9	279,5	335,1	273,2	221,0	257,1	653,7	0,0	608,2
427,0	593,0	0,3	0,0	9,5	272,9	291,9	75,2	86,0	279,1	333,8	272,7	220,8	258,2	653,9	0,0	606,3
428,0	594,0	0,3	0,0	9,4	272,9	291,5	75,1	85,9	278,8	333,5	272,6	220,9	258,5	652,0	0,0	605,6
429,0	595,0	0,3	0,0	9,3	272,6	291,5	75,0	85,7	278,4	333,2	271,7	220,6	259,2	651,1	0,0	604,1
430,0	596,0	0,3	0,0	9,3	272,4	291,0	75,1	85,4	278,1	332,1	271,7	220,3	259,5	652,4	0,0	604,8
431,0	597,0	0,2	0,0	9,3	272,3	290,3	75,0	85,2	277,8	331,6	271,4	220,0	260,5	653,5	0,0	602,7
432,0	598,0	0,2	0,0	9,2	272,1	290,7	75,0	85,0	277,8	330,3	271,7	219,6	261,1	654,5	0,0	603,1
433,0	599,0	0,2	0,0	9,1	272,1	290,3	75,1	84,9	277,7	329,5	271,9	219,9	261,8	655,2	0,0	600,6
434,0	600,0	0,2	0,0	9,0	271,9	290,6	75,0	84,7	277,4	328,6	271,7	219,8	262,0	656,2	0,0	601,1
435,0	601,0	0,2	0,0	9,1	271,8	290,6	75,0	85,1	277,4	327,7	271,5	219,3	263,0	653,1	0,0	599,5
436,0	602,0	0,2	0,0	9,1	271,4	288,0	74,9	86,3	277,3	326,2	271,0	219,5	263,2	638,3	0,0	596,4
437,0	603,0	0,2	0,0	9,0	271,5	288,0	75,3	86,0	276,8	326,1	270,4	219,4	264,6	629,9	0,0	596,7
438,0	604,0	0,1	0,0	9,1	271,2	288,0	75,1	85,7	276,2	325,2	270,5	219,0	265,1	625,5	0,0	596,3
439,0	605,0	0,1	0,0	9,0	270,9	287,3	75,2	85,5	275,3	324,4	270,0	218,9	265,8	623,2	0,0	591,1
440,0	606,0	0,1	0,0	8,9	270,5	286,8	75,0	85,4	274,8	323,3	269,3	218,6	266,5	624,2	0,0	589,5
441,0	607,0	0,1	0,0	8,8	270,1	286,3	74,9	85,2	274,3	322,3	269,3	218,0	266,5	625,0	0,0	588,1
442,0	608,0	0,1	0,0	8,7	270,0	286,7	75,0	84,9	273,7	321,6	269,2	217,9	267,6	626,1	0,0	587,5
443,0	609,0	0,1	0,0	8,8	269,8	285,6	74,9	84,7	273,0	320,5	268,8	217,7	268,7	626,7	0,0	587,7
444,0	610,0	0,1	0,0	8,8	269,4	285,8	74,9	84,6	272,8	319,0	268,4	217,8	269,3	625,6	0,0	579,5
445,0	611,0	0,1	0,0	8,6	269,6	286,0	75,0	84,4	272,3	318,8	268,4	217,2	271,1	620,6	0,0	575,4
446,0	612,0	0,1	0,0	8,6	269,5	285,4	75,0	85,8	271,9	318,2	268,0	217,5	271,8	619,8	0,0	574,2
447,0	613,0	0,1	0,0	8,6	269,2	284,6	75,0	85,5	271,3	317,3	267,7	216,8	272,9	619,9	0,0	573,8
448,0	614,0	0,1	0,0	8,5	269,1	283,7	74,9	85,6	270,7	316,6	267,0	216,9	274,3	621,6	0,0	573,2
449,0	615,0	0,1	0,0	8,4	268,9	283,3	75,1	85,5	270,2	315,9	266,7	216,8	274,9	622,8	0,0	573,1
450,0	616,0	0,0	0,0	8,4	268,3	282,6	74,6	85,3	269,5	314,6	265,9	216,0	275,5	623,2	0,0	572,2

SFBA EPA EMISSION RESULTS

RESULTS

Average emission rate: 0,6 g/hr

Burn Rate : 0,881 Dry kg/hr

Test Duration: 450 min

PRESSURE FACTOR: DGM 1 0,98022
 DGM 2 0,97889
 DGM 3 1,00670

BAROMETRIC PRESSURE
 Average: 30,120589 in Hg
 Start: 30,179649 in Hg
 End: 30,061529 in Hg

TEMPERATURE FACTORS DGM 1 0,98306
 DGM 2 0,98263
 DGM 3 0,98753

DGM CONTROLLER VALUES

DGM 1 Final: 22222,007 Cuft
 Initial: 22140,804 Cuft

VOLUMES SAMPLED DGM 1 77,299 SCft
 DGM 2 77,693 SCft
 DGM 3 37,499 SCft

DGM 2 Final: 20170,116 Cuft
 Initial: 20088,399 Cuft

DGM #3 Final: 863,080 Cuft
 Initial: 824,840 Cuft

TOTAL TUNNEL VOLUME : 80159

TEMPERATURES

DGM 1 537,098 °R
 DGM 2 537,333 °R

SAMPLE RATIOS
 Sample Train 1: 1036,998
 Sample Train 2: 1031,733

CALIBRATION FACTORS

DGM 1 0,9879
 DGM 2 0,9884
 DGM #3 0,9864

Paticulate concentration
 Sample Train 1 **0,000053** g/dscf
 Sample Train 2 **0,000055** g/dscf
 Room **0,000003** g/dscf

TUNNEL FLOW RATE: 178,130 Dscfm

TOTAL EMISSIONS
 Sample Train 1 **4,04** g
 Sample Train 2 **4,22** g

PARTICULATE CATCH
 Total Sample Train 1: 4,10 mg
 Total Sample Train 2: 4,30 mg
 Total Sample Train 1 1st hour: 2,40 mg

EMISSION RATES
 Sample Train 1 **0,54** g/hr
 Sample Train 2 **0,56** g/hr

1st hour emission rate **2,49** g/hr

DEVIATION: 2,24%

Cs Train 1 Train 2
 5,304E-05 5,5346E-05

Manufacturer: ICC
 Model: OPEL+ 3C

Run: 3
 Project #: PI 20161
 Test Duration: 450 min

	HHV	LHV
Eff	68,81%	74,37%
Comb Eff	98,01%	98,01%
HT Eff	70,20%	75,88%
Output	12 015	kJ/h
Burn Rate	0,88	kg/h
Grams CO	219	g
Input	17 463	kJ/h
MC wet	17,77	

Note: In the "Input data", "Calc. % O₂", "Fuel Properties", and "Mass Balance" columns, [e], [d], [g], [a], [b], [c], [h], [u], [w], [j], and [k] refer to their respective variables in Clauses 13.7.3

Ultimate CO₂
 CO_{2-ut} 19,64
 F_o
 1,062

Overall Heating Efficiency:
 Combustion Efficiency:
 Heat Transfer Efficiency:

	Air Fuel Ratio (A/F)	
68,81%	Dry Molecular Weight (M _d)	30,10
98,01%	Dry Moles Exhaust Gas (N _r):	355,89
70,20%	Air Fuel Ratio (A/F)	10,20

Heat Output:	11 398 Btu/h	12 015 kJ/h
Heat Input:	16 565 Btu/h	17 463 kJ/h
Burn Duration:	7,50 h	
Burn Rate:	1,94 lb/h	0,881 kg/h
Stack Temp:	378,8 Deg. F	192,7 Deg. C

Date: 2018-02-19 Manufacturer: ICA Model: opelt 3c
 Project #: pI 20101 Run: 3 Tech: MR Reviewer: D

WDR up + landing 200LBS	start FINE
- At 65LBS	close Door
- Fan off	
- by pass open	
- Damper 90°	
- At 63LBS	close bypass
At 51LBS	15 min open Fan High
At 1.2LBS	close Fan and install load pre load
At 13.7LBS	close At 14.5LBS
At 13.7LBS	close Door
At 13.7LBS	close bypass
At 12.00LBS	close air inlet
At 11.8LBS	open Fan (High) 15 min
At 3.9LBS	install load
At 3.40 min	close Door
At 5:30	close air inlet
At 2 min	close bypass
TEST LOAD CONFIGURATION	
At 6 min	close Damper 90°
At 15 min	open Fan
Boucher 1/4	sur coté du controle (clapet) à 6 min

PRE / POST CHECKS

Date: 2018-02-19 Manufacturer: LCU Model: Opel-3c
 Project #: PI 2016 Run: 3 Tech: mm Reviewer: DO

Moisture Meter Calibration Check:

Equipment #	Time	12%	22%
EM 1911	7:00	ok	ok

Pre-Test

Post-Test

Facility Conditions:

Air Velocity from less than 2 feet

2 (max 50 Fpm)	5 (max 50 Fpm)
----------------	----------------

Smoke Capture Check

ok	ok
----	----

Picture

4 sides ok	ok
---------------	----

Wood Heater Conditions:

Date Wood Heater Stack Cleaned

2018-02-14

Date Dilution Tunnel Cleaned

2018-02-14

Induced Draft Check (max 0.005 H2O)

ok

Traverse before ignition

ok

Flow Rate 140 cfm ±10%

ok

Temperature System:

Ambient (65°-90°F)

ok	°F
----	----

Wood Heater Surface (±125°F)

ok	°F
----	----

Proportional Checks:

Thermocouple check

ok

Pitot Clean

ok

Pitot verification

ok

Sampling Train ID Numbers:

Probe

Train 1 st hour	Train 1	Train 2
07	15	19
← 211	213	215
212	214	216
11	11	12
ok	ok	ok

Filter Front

Filter Back

Filter Thermocouple

Filter (<90°F)

SAMPLING EQUIPMENT CHECK OUT

 Date: 20/08/2019

 Manufacturer: 126

 Model: 0 pcl + 3c

 Project #: PI 20/161

 Run: 3

 Tech: mm

 Reviewer: NP

Leakage Checks Tunnel Samplers

	System 1 st hour		System 1		System 2	
	Pre-Test ASTM (-15) CSA B415 (-5)	Post-Test (max test)	Pre-Test ASTM (-15) CSA B415 (-5)	Post-Test (Max test)	Pre-Test ASTM (-15) CSA B415 (-5)	Post-Test (Max test)
Unplugged Flow Rate = .25cfm						
Vacuum (inches Hg.)	-15	-15	-15	-15	-15	-15
Final 1 minute DGM (Liter)	62695738	62925808	62695749	62925815	56883580	57115504
Initial 1 minute DGM (Liter)	62695728	62925805	62695746	62925813	56883578	57115501
Change @ (Liter)	0.1	0.03	0.03	0.02	0.02	0.03
Allowable leakage .04 x Sample rate or 0.28Lpm CSA B415 (0.56)						
Check OK	ok	ok	ok	ok	ok	ok

Leakage Checks Flue Gas Sampler

Plugged Probe	Pre Test	Post Test
Vacuum (inches Hg.)	-5	-8
Rotometer Reading (mml/min.)	0	0
Flow Rate (lpm)	1.5	1.5
Allowable (.02 x Sample Rate)	30	30
Check OK	ok	ok

Leakage Checks Pitot

Plugged Probe	Pre Test 3 H ₂ O static	Pre Test 0.4-0.5 H ₂ O velocity	Post Test 3 H ₂ O Static	Post Test 0.4-0.5 H ₂ O velocity
Vacuum (inches Hg.)	3	-5	3	.4
Check OK (no change after 15 sec.)	ok	ok	ok	ok

PRE-TEST SCALE AUDIT

Date: 2018-02-19 Manufacturer: icc Model: Opel 3C
 Project #: PI 20161 Run: 3 Tech: MM Reviewer: BP

Scale Type	Audit		Measured Weight
	Equipment #	Weight	
Platform	EM-090	44 lbs, Class F	44 lbs
Wood	EM-090	44 lbs, Class F	44 lbs
Analytical	EM-128	10 ⁶ mg, Class S	10 ⁶ mg
Analytical	EM-129	20 ⁰ g, Class S	200 ⁰ g

LIMITS OF WEIGHT RANGES

ANALYTICAL SCALE: 50%-150% of dry filter weight, ± 0.1 mg
PLATFORM SCALE: 20%-80% of ideal test load weight, ± 0.1 lbs or 1%
WOOD SCALE: 20%-80% of ideal test load weight, ± 0.01 lbs or 1%

Date: 2018-02-19 Manufacturer: ICL Model: OPC-3C
 Project #: PT 20181 Run: 3 Tech: MM Reviewer: DP

FOR TUNNELS < 12 in

Barometric pressure (P_{bar}) 102.2 (KPa.) Static pressure (P_s) 0.38 (inches w.c.)
 Inside diameter: Port A _____ Port B _____
 Tunnel cross sectional area: .1963ft²
 Pitot tube type: Standard

Traverse Point	Position (inches)			Velocity Head Δ_p (inches H ₂ O)	Tunnel Temperature (°F)
	6 po	7 po	8 po		
A-Centroid	3.00	3.50	4	0060	8313
B-Centroid	3.00	3.50	4	0059	8310
A-1	0.40	0.50	0.50	0049	8310
A-2	1.50	1.75	2	0062	8306
A-3	4.50	5.25	6	0052	8298
A-4	5.60	6.5	7.5	0050	8290
B-1	0.40	0.50	0.50	0049	8293
B-2	1.50	1.75	2	0059	8299
B-3	4.50	5.25	6	0051	8314
B-4	5.60	6.5	7.5	0051	8323
AVERAGE					

$$v_s = K_p C_p (\sqrt{\Delta p})_{avg} \sqrt{\frac{(T_s)_{avg}}{P_s M_s}}$$

Where,

C_p = pitot tube coefficient, dimension less = 0.99 for standard pitot.

Δ_p = manometer reading (inches H₂O)

T_s = average absolute dilution tunnel temperature (°F + 460)

P_s = absolute dilution tunnel gas pressure or $P_{bar} + P_{qs}$

P_q = static pressure in H₂O
 { 13.6 }

M_s = 28.56, wet molecular weight of stack gas (alternatively, it may be measured)

K_p = 85.49 pitot tube constant, (conversion factor for English units)

$(\Delta_p)_{avg}$ = average of the square roots of the velocity heads (Δ_p) measured at each traverse point.

CONTINUOUS ANALYZERS

Date: 2018-02-19 Manufacturer: icu Model: Opel + 3c
 Project #: PT 2016 Run: 3 Tech: MM Reviewer: DP

Pre-Test (Adjust and Record)

	ZERO		SPAN		CAL. (Record Only)	
	Actual	Should Be	Actual	Should Be	Actual	Should Be
CO	0	0	2987	300	1000	1000
Tolerance CO		+/- 0.02		+/- 0.15		+/- 0.05
CO ₂	0	0	1790	1800	970	1000
Tolerance CO ₂		+/- 0.02		+/- 0.5		+/- 0.5
O ₂ informative CSA B415 calculated value	na	na	na	na	na	na
	Actual	Should Be	Actual	Should Be	Actual	Should Be

Post Test (Record Only)

	Zero	Span	Cal.	Zero Drift	Limit	Span Drift	Limit	Cal. Drift	Limit	OK?	Not OK*
CO	0.003	2981	1005	0.003	0.02	0.006	0.15	0.005	0.05	✓	
CO ₂	0.0	1782	970	0	0.02	0.08	0.5	0	0.5	✓	

Date: 2018-02-19 Manufacturer: ICL Model: Opelt 3c
 Project #: PT 20161 Run: 3 Tech: MM Reviewer: DP

RAW DRY GAS METER READINGS

	System 1	System 2	Blank
Final (Liter)	629257,14	571154,08	863,08
Initial (Liter)	626957,75	568840,11	824,84

AMBIENT CONDITIONS

	Before	After
Barometer (kPa):	102,2	101,8
Dry Bulb (F):	69,98	74,86
Humidity (%):	25,1	26

Flow Meter

	Start	End
Flow meter reading	N.A	N.A

Flow Meter Verification

	Before	After
Flow meter Check (liters)	N.A	N.A
Scale Weight (Kg)	N.A	N.A

FUEL DATA

Date: 2018-02-19 Manufacturer: ICC Model: Opel 30
 Project #: p1 20161 Run: 3 Tech: MM Reviewer: DO

FUEL DESCRIPTION:

Type of wood:

PRE-TEST LOAD

Piece Size	Weight	Meter Moisture Content (% dry)*				
1.5 x 3 1/4 x 11 in.	1232 lbs.	21.1	21.6	21.9	21.3	21.9
1.5 x 3 1/4 x 11 in.	1388 lbs.	22.0	22.3	22.6	22.1	22.0
1.5 x 3 1/4 x 11 in.	1368 lbs.	21.9	21.3	21.2	21.8	21.1
1.5 x 3 1/4 x 4 in.	0968 lbs.	20.8	20.6	20.2	20.9	20.4
x x in.	lbs.					
1.5 x 3.5 x 10 in.	1172 lbs.	20.6	20.3	20.7 20.9	20.7	20.8
1.5 x 3.5 x 10 in.	1160 lbs.	21.0	21.8	20.7	20.9	20.8
1.5 x 3.5 x 10 in.	1174 lbs.	21.1	21.6	20.7	20.7	20.6
1.5 x 3.5 x 10 in.	1230 lbs.	21.3	21.6	21.9	21.8	20.9
1.5 x 3.5 x 10 in.	1180 lbs.	20.6	20.8	20.4	20.9	20.4
1.5 x 3.5 x 10 in.	1202 lbs.	20.9	20.6	20.3	20.8	20.7
1.5 x 3.5 x 10 in.	1076 lbs.	20.3	20.2	20.2	20.8 19.6	19.6
1.5 x 3.5 x 10 in.	1246 lbs.	21.1	21.6	21.3	21.9	21.4
1.5 x 3.5 x 10 in.	1176 lbs.	22.0	22.0	22.1	22.3	22.1
1.5 x 3.5 x 10 in.	1302 lbs.	21.6	21.9	21.3	21.4	21.5
1.5 x 3.5 x 10 in.	1222 lbs.	20.9	20.6	20.3	20.4	20.4
1.5 x 3.5 x 10 in.	1284 lbs.	20.6	20.9	20.8	20.4	20.7
x x in.	lbs.					
x x in.	lbs.					
x x in.	lbs.					
x x in.	lbs.					
x x in.	lbs.					
x x in.	lbs.					

TEST LOAD WEIGHT: 1943 lbs

FUEL DATA

Date: 2018-02-19 Manufacturer: icc Model: Open + 3c
 Project #: PT 20161 Run: 3 Tech: MM Reviewer: SP

FUEL DESCRIPTION:

Type of wood:

TEST LOAD

Piece Size	Weight	Meter Moisture Content (% dry)*						
1 1/2" x 3 1/2" x 15 3/4" in.	1650 lbs.	219	210	211	209	206		
1 1/2" x 3 1/2" x 15 1/4" in.	1748 lbs.	238	236	239	237	238		
1 1/2" x 3 1/2" x 15 1/4" in.	1562 lbs.	191	196	193	199	192		
1 1/2" x 3 1/2" x 15 1/4" in.	1777 lbs.	238	236	239	238	239		
3 1/2" x 3 1/2" x 15 1/4" in.	4476 lbs.	2.3	2.6	2.4	2.9	2.0		
3 1/2" x 3 1/2" x 15 1/4" in.	4026 lbs.	2.1	2.4	2.9	2.6	2.3		
1.5" x 3/4" x 5 in.	0102 lbs.			201				
1.5" x 3/4" x 5 in.	0090 lbs.			203				
1.5" x 3/4" x 5 in.	0120 lbs.			204				
1.5" x 3/4" x 5 in.	0092 lbs.			205				
1.5" x 3/4" x 5 in.	0101 lbs.			206				
1.5" x 3/4" x 5 in.	0104 lbs.			209				
1.5" x 3/4" x 5 in.	0098 lbs.			207				
1.5" x 3/4" x 5 in.	0100 lbs.			207				
1.5" x 3/4" x 5 in.	0114 lbs.			207				
1.5" x 3/4" x 5 in.	0114 lbs.			202				
1.5" x 3/4" x 5 in.	0106 lbs.			204				
1.5" x 3/4" x 5 in.	0102 lbs.			205				
1.5" x 3/4" x 5 in.	0118 lbs.			209				
1.5" x 3/4" x 5 in.	0098 lbs.			208				
1.5" x 3/4" x 5 in.	0108 lbs.			209				
1.5" x 3/4" x 5 in.	0100 lbs.			203				
1.5" x 3/4" x 5 in.	0114 lbs.			206				
1.5" x 3/4" x 5 in.	0108 lbs.			209				
1.5" x 3/4" x 5 in.	0104 lbs.			204				
1.5" x 3/4" x 5 in.	0098 lbs.			206				
1.5" x 3/4" x 5 in.	0098 lbs.			203				

TEST LOAD WEIGHT: 1772 lbs Min 20%: 354 Max 25%: 440



DILUTION TUNNEL PARTICULATE SAMPLER DATA

Date: 2018-02-15 Manufacturer: 1cc Model: O spec 1 3c
 Project #: PL 20161 Run: 3 Tech: mm Reviewer: bc

		SYSTEM 1 - 1 st hour					SYSTEM 1				
Pre-test Weight Record	Time	Probe & Housing Number	Front Filter Number	Back Filter Number	gaskets	Probe & Housing Number	Front Filter Number	Back Filter Number	gaskets	Blank	
		007	211	212	9	15	213	214	24	217	
2018-02-15	17:00	614776	01251	01260	34 9423	108 7845 108 7845	01270	01289	35 3354	01299	
2018-02-17	10:00	614773	01251	01261	34 9424	108 7844	01239	01290	35 3353	01300	

		SYSTEM 1 - 1 st hour					SYSTEM 1				
Post-test Weight Record	Time	Probe & Housing Number	Front Filter Number	Back Filter Number	gaskets	Probe & Housing Number	Front Filter Number	Back Filter Number	gaskets	Blank	
		007	211	212	9	15	213	214	24	217	
2018-02-17	20:00	614776	01248	01247	34 9466	108 7852	01237	01283	35 3380	01301	
2018-02-22	8:00	614773	01248	01247	34 9457	108 7851	01236	01283	35 3370	01301	
2018-02-26	8:00	614774	01248	01247	34 9458	108 7857	01237	01284	35 3371	01301	



DILUTION TUNNEL PARTICULATE SAMPLER DATA

Date: 2018-02-15 Project #: PT 20161 Run: 3 Manufacturer: 1cc Model: Open1 + 3c
 Tech: MM Reviewer: DL

SYSTEM 2					
Pre-test Weight Record	Probe & Housing Number	Front Filter Number	Back Filter Number	gaskets	
Date	Time				
2018-02-15	17:00	109 0913	215	216	25
		01302	01302	01270	35 0121
2018-02-19	10:00	109 0924	01302	01271	35 0120

SYSTEM 2					
Post-test Weight Record	Probe & Housing Number	Front Filter Number	Back Filter Number	gaskets	
Date	Time				
2018-02-19	20:00	109 0938	245	266	25
		01312	01311	01263	35 0155
2018-02-22	8:00	109 0935	01311	01263	35 0151
2018-02-26	8:00	109 0935	01311	01263	35 0151

Paramètres

Tous les facteurs de corrections et autres paramètres qui peuvent être modifiés par l'utilisateur du fichier sont regroupés ici.

Code verrouillage:

ICC

Description du test

Test standard	EPA
Run #	4
Date	20-02-2018
Technicien	M.M
Project #	PI 20161

Description de l'unité

Manufacturier	ICC	
Modèle	OPEL+ 3C	
Combustion system	Cat	
Appliance type	FIREPLACE	
Firebox volume	2,32	cu ft.
Appliance weight empty	N.A	lbs
Appliance weight full	N.A	lbs

Paramètres du test

Logging time	1	min
Manufacturer's rated heat output	N.A	BTU/h Donnée fournie par le manufacturier
Targeted category	3	
Targeted output	N.A	BTU/h
Cp steel	N.A	BTU/lb-°F

Échantillonnage

Blank sampling rate	0,20	cuft/min
Internal probe diameter	0,18	in.
Calibration Factor (DGM #1):	0,988	Dimensionless
Equipment number (DGM #1):	EM 178	
Calibration Factor (DGM #2):	0,988	Dimensionless
Equipment number (DGM #2):	EM 179	
Calibration Factor (DGM #3):	0,986	Dimensionless
Equipment number (DGM #3):	EM 070	Dimensionless

Tunnel

Targeted tunnel flow rate	140	scfm
Tunnel diameter	6	in.
Molecular weight	28,78	May be assumed to be 28,78 (EPA) Si B-415 = 29
Pitot tube type	Standard	
Pitot tube coefficient	0,99	Dimensionless

Project nu.	PI 20161
Date	20-02-2018
Technicien	M.M

Fuel data

Fuel type	Dimension
Fuel specie	D. Fir
HHV	19810,0 kJ/kg
%C	48,7
%H	6,9
%O	43,9
%Ash	0,5
HHV	8519,2 Btu/lb
LHV	7451,0 Btu/lb

Default Fuel Values		
	D. Fir	Oak/Maple
HHV	19 810	19 887
%C	48,73	50
%H	6,87	6,6
%O	43,9	42,9
%Ash	0,5	0,5
HHV (Btu/lb)	8519	8552
LHV (Btu/lb)	7451	7480

	Start	End
Barometer (kPa):	101,8	101,2
Barometer (in.Hg):	30,061529	29,88434875
Dry Bulb (F):	72,68	74,21
Humidity (%):	29,7	26,3
Air velocity (ft/min)	4	3

DGM #1	Final:	22274,204	cuft
	Initial:	22222,064	cuft
DGM #2	Final:	20223,189	cuft
	Initial:	20170,269	cuft
DGM room			

	Final:	630735,210	Liter
	Initial:	629258,770	Liter
	Final:	572656,940	Liter
	Initial:	571158,390	Liter
	Final:	887,720	cuft
	Initial:	863,080	cuft

Numéro de la ligne dans "Raw data" à partir duquel les données du VRAI test commencent

133

Autres données à rentrer: dans preload data, load data, traverse et filter set weight

Project nu.	PI 20161
Date	20-02-2018
Technicien	M.M

FUEL LOAD DATA SHEET, CSA B415

Test Load Weight:

Lower	Ideal	Upper
14,6	16,2	17,9

* For boilers, a loading density factor of 10 lb/ft3 is applic

Load Volume: cu. ft Loading Density: 7,6 lbs./ft3

Number of Spaces: Load Density (wet): 32,3 lbs./ft3

Spacer weight: lbs Dry Wood Density: 26,6 lbs./ft3

Piece Size (in):			Weight lbs	Meter Moisture Content					Ave. MC x Weight	Volume Cubic Inches	Ave. MC %
Thick	Wide	Length		Dry Uncorrected %							
1,5	3,5	15,75	1,72	23,10	23,50	23,80	23,90	23,70	40,6864	82,69	23,6
1,5	3,5	15,75	1,74	23,10	23,40	23,80	23,70	23,40	40,80824	82,69	23,5
1,5	3,5	15,75	1,56	19,10	19,30	19,40	19,60	19,70	30,2952	82,69	19,4
1,5	3,5	15,75	1,80	20,60	22,10	21,30	21,90	21,60	38,7	82,69	21,5
3,5	3,5	15,75	3,91	20,80	21,50	21,10	21,70	21,40	83,3256	192,94	21,3
3,5	3,5	15,75	4,49	20,90	22,30	21,60	21,90	21,30	96,984	192,94	21,6
1,5	0,75	5	0,09			20,80			1,872	5,63	20,8
1,5	0,75	5	0,10			20,60			2,0188	5,63	20,6
1,5	0,75	5	0,09			20,90			1,8392	5,63	20,9
1,5	0,75	5	0,09			20,10			1,7286	5,63	20,1
1,5	0,75	5	0,09			20,00			1,72	5,63	20,0
1,5	0,75	5	0,10			20,00			2,08	5,63	20,0
1,5	0,75	5	0,09			20,60			1,9364	5,63	20,6
1,5	0,75	5	0,10			19,90			2,0696	5,63	19,9
1,5	0,75	5	0,10			19,30			2,0072	5,63	19,3
1,5	0,75	5	0,11			19,40			2,0564	5,63	19,4
1,5	0,75	5	0,11			19,90			2,189	5,63	19,9
1,5	0,75	5	0,11			19,80			2,2176	5,63	19,8
1,5	0,75	5	0,11			20,30			2,1924	5,63	20,3
1,5	0,75	5	0,106			20,20			2,1412	5,63	20,2
1,5	0,75	5	0,106			20,40			2,1624	5,63	20,4
1,5	0,75	5	0,1			20,60			2,06	5,63	20,6
1,5	0,75	5	0,11			21			2,31	5,63	21,0
1,5	0,75	5	0,104			21,4			2,2256	5,63	21,4
1,5	0,75	5	0,12			21,3			2,556	5,63	21,3
1,5	0,75	5	0,11			21,8			2,398	5,63	21,8
1,5	0,75	5	0,118			21,4			2,5252	5,63	21,4
1,5	0,75	5	0,104			20,1			2,0904	5,63	20,1
1,5	0,75	5	0,116			20,6			2,3896	5,63	20,6
1,5	0,75	5	0,106			20,9			2,2154	5,63	20,9
SUM MCx									381,80044		20,7 %

Test Load Weight: lbs. Dry Weight: kg.

Average Moisture Content: %

Dry: Dry(EPA) 21,55 Wet:
 Dry(B415) 21,55 Must be 19-25 must be 15,2-22

Coal Bed Range: lbs. to lbs.

TEST CHARGE: Coal bed weight: lbs.

Project nu.	PI 20161
Date	20-02-2018
Technicien	M.M

Tunnel Traverse Worksheet (for velocity calculations)

Static Pressure: 0,37 in. H2O
 Barometer: 29,900 in. Hg

Pour un tunnel de 12" et plus, prendre 6 lectures

	TUNNEL VELOCITY	TUNNEL TEMP	SQUARE ROOT
	In. wc	°F	
A center			0,0000
B center			0,0000
A1			0,0000
A2			0,0000
A3			0,0000
A4			0,0000
A5			0,0000
A6			0,0000
B1			0,0000
B2			0,0000
B3			0,0000
B4			0,0000
B5			0,0000
B6			0,0000
AVERAGE	#DIV/0!	#DIV/0!	0,0000

PITOT CONSTANT=
0,949

Pour un tunnel moins de 12", prendre 4 lectures

	TUNNEL VELOCITY	TUNNEL TEMP	SQUARE ROOT
	In. wc	°F	
A center	0,063	70,83	0,2510
B center	0,062	70,98	0,2490
A1	0,052	70,8	0,2280
A2	0,065	70,88	0,2550
A3	0,056	70,94	0,2366
A4	0,053	70,99	0,2302
B1	0,052	70,970	0,2280
B2	0,056	71,090	0,2366
B3	0,052	71,130	0,2280
B4	0,053	71,190	0,2302
AVERAGE	0,0564	70,9800	0,2373

Project nu.	PI 20161
Date	20-02-2018
Technicien	M.M

Filter set weight

	System 1 (g) 1st hour				System 1 (g)				System 2 (g)				Ambient blank (g)	Date	Heure
	probe	front	back	gasket	probe	front	back	gasket	probe	front	back	gasket	Filter		
Number	30	48	49	12	34	50	51	15	43	52	53	21	54		
Before (1)															
Before (2)															
Before (3)															
Before (4)															
Before (5)	110,2399	0,1247	0,1290	35,1331	110,1024	0,1269	0,1253	35,4633	109,1643	0,1298	0,1286	35,3703	0,1271	19/02/2018	18:00
Before (6)	110,2398	0,1246	0,1290	35,1332	110,1024	0,1268	0,1254	35,4634	109,1643	0,1298	0,1286	35,3704	0,1270	20/02/2018	10:00
After (1)	110,2420	0,1247	0,1287	35,1369	110,1038	0,1261	0,1254	35,4655	109,1658	0,1306	0,1277	35,3738	0,1271	20/02/2018	19:30
After (2)	110,2408	0,1247	0,1286	35,1366	110,1028	0,1260	0,1252	35,4652	109,1651	0,1304	0,1276	35,3732	0,1270	22/02/2018	08:00
After (3)	110,2407	0,1247	0,1285	35,1364	110,1028	0,1259	0,1252	35,4645	109,1654	0,1305	0,1277	35,3733	0,1270	26/02/2018	08:00
After (4)	110,2407	0,1247	0,1285	35,1364	110,1028	0,1259	0,1252	35,4645	109,1654	0,1305	0,1278	35,3734	0,1270	01/03/2018	08:00
After (5)															
After (6)	110,2407	0,1247	0,1285	35,1364	110,1028	0,1259	0,1252	35,4645	109,1654	0,1305	0,1278	35,3734	0,1270	01/03/2018	08:00
Difference	0,0009	0,0001	-0,0005	0,0032	0,0004	-0,0009	-0,0002	0,0011	0,0011	0,0007	-0,0008	0,0030	0,0000		
Total (mg)	3,7				4,1				4				0		
Total ajusté (mg)	3,70				4,10				4,00						

Project nu.	PI 20161
Date	20-02-2018
Technicien	M.M

SFBA EPA EMISSION RESULTS

RESULTS

Average emission rate: 0,8 g/hr

Burn Rate : 1,372 Dry kg/hr

Test Duration: 289 min

PRESSURE FACTOR: DGM 1 0,97399
 DGM 2 0,97398
 DGM 3 1,00177

BAROMETRIC PRESSURE
 Average: 29,972939 in Hg
 Start: 30,061529 in Hg
 End: 29,884349 in Hg

TEMPERATURE FACTORS DGM 1 0,98819
 DGM 2 0,98785
 DGM 3 0,98436

DGM CONTROLLER VALUES

DGM 1 Final: 22274,204 Cuft
 Initial: 22222,064 Cuft

VOLUMES SAMPLED DGM 1 49,575 SCft
 DGM 2 50,328 SCft
 DGM 3 23,967 SCft

DGM 2 Final: 20223,189 Cuft
 Initial: 20170,269 Cuft

DGM #3 Final: 887,720 Cuft
 Initial: 863,080 Cuft

TOTAL TUNNEL VOLUME : 49543

TEMPERATURES

DGM 1 534,310 °R
 DGM 2 534,496 °R

SAMPLE RATIOS
 Sample Train 1: 999,345
 Sample Train 2: 984,403

CALIBRATION FACTORS

DGM 1 0,9879
 DGM 2 0,9884
 DGM #3 0,9864

Paticulate concentration
 Sample Train 1 **0,000083** g/dscf
 Sample Train 2 **0,000079** g/dscf
 Room **0,000000** g/dscf

TUNNEL FLOW RATE: 171,429 Dscfm

TOTAL EMISSIONS
 Sample Train 1 **4,10** g
 Sample Train 2 **3,94** g

PARTICULATE CATCH
 Total Sample Train 1: 4,10 mg
 Total Sample Train 2: 4,00 mg
 Total Sample Train 1 1st hour: 3,70 mg

EMISSION RATES
 Sample Train 1 **0,85** g/hr
 Sample Train 2 **0,82** g/hr

1st hour emission rate **3,70** g/hr

DEVIATION: 1,99%

Cs Train 1 Train 2
 8,27E-05 7,94786E-05

Elapsed Time min	Raw data row	Weight			Flue			Room		Tunnel		Unit		Unit		Unit		Catalyst		Catalyst		Catalyst	
		Remaining lbs	CO %	CO ₂ %	O ₂ %	Gas %F	Temp %F	Temp %F	Temp %F	Temp %F	Top %F	Back %F	R. Side %F	L. Side %F	Bottom %F	Down %F	Center %F	Up %F	Down %F	Center %F	Up %F	Down %F	Center %F
0.00	133.00	17.7	0.0	10.5	348.3	518.8	72.1	183.3	444.3	388.5	346.7	269.1	292.9	455.3	0.0	520.5							
1.0	134.0	17.8	0.2	8.8	355.6	474.2	72.0	142.6	447.9	398.2	356.6	282.5	303.7	417.1	0.0	433.5							
2.0	135.0	17.8	0.2	11.8	360.5	522.1	71.9	152.2	446.0	402.0	362.0	282.5	303.7	417.1	0.0	605.4							
3.0	136.0	16.8	0.2	6.4	364.6	621.0	71.9	160.6	436.1	412.2	356.1	299.1	319.6	993.0	0.0	1061.6							
4.0	137.0	16.7	0.3	12.2	368.1	614.8	71.9	149.2	435.0	418.0	357.2	304.5	325.7	1016.8	0.0	954.4							
5.0	138.0	16.5	0.0	11.0	371.4	583.3	71.5	124.3	436.8	422.1	358.0	308.8	331.4	1064.6	0.0	799.6							
6.0	139.0	16.4	0.0	9.9	374.0	571.4	71.7	118.0	439.4	424.9	357.8	311.9	336.1	1004.6	0.0	741.5							
7.0	140.0	16.3	0.0	8.6	375.8	563.7	72.0	114.3	441.1	426.4	356.8	314.9	339.5	973.3	0.0	704.1							
8.0	141.0	16.2	0.0	7.5	377.2	558.6	71.8	112.3	442.0	426.7	356.2	318.0	343.3	962.8	0.0	681.9							
9.0	142.0	16.1	0.0	6.7	377.8	553.2	71.7	110.1	442.0	426.0	355.5	319.9	345.6	952.3	0.0	651.2							
10.0	143.0	16.0	0.0	5.7	377.7	548.3	71.7	108.9	441.4	424.3	353.9	320.7	348.3	938.7	0.0	626.0							
11.0	144.0	15.9	0.0	5.1	377.1	543.3	71.8	107.8	440.2	422.3	352.5	320.8	349.8	917.1	0.0	610.8							
12.0	145.0	15.8	0.0	4.9	376.1	537.8	71.8	106.8	438.4	419.6	350.8	320.5	351.2	897.9	0.0	599.5							
13.0	146.0	15.8	0.0	4.9	374.9	532.9	71.8	107.0	436.0	416.8	348.5	320.6	352.8	894.0	0.0	592.4							
14.0	147.0	15.7	0.0	5.1	373.6	528.6	71.5	106.4	433.6	413.6	346.5	320.6	353.9	893.2	0.0	591.8							
15.0	148.0	15.6	0.0	5.4	366.6	525.2	71.7	105.1	426.5	409.2	344.7	305.2	347.3	886.4	0.0	594.7							
16.0	149.0	15.6	0.0	5.8	358.0	521.1	72.0	104.5	418.2	400.9	342.3	289.7	339.0	883.3	0.0	605.0							
17.0	150.0	15.4	0.0	6.3	349.9	517.7	72.0	104.7	410.0	392.7	338.4	278.3	330.3	879.5	0.0	654.1							
18.0	151.0	15.4	0.0	7.2	343.5	516.0	71.4	104.8	403.6	386.2	334.8	270.1	323.9	896.2	0.0	778.5							
19.0	152.0	15.3	0.3	8.8	338.0	516.7	71.8	104.4	396.8	381.1	333.3	242.3	318.9	923.1	0.0	773.1							
20.0	153.0	15.2	0.0	8.7	334.0	517.7	72.1	104.6	392.1	376.6	328.7	259.4	313.4	950.2	0.0	747.4							
21.0	154.0	15.0	0.0	9.0	330.9	518.7	73.0	105.0	388.4	373.1	326.5	256.1	310.4	977.7	0.0	762.6							
22.0	155.0	14.9	0.0	9.7	327.5	519.0	73.6	104.8	386.3	368.0	324.4	252.9	305.9	992.8	0.0	772.8							
23.0	156.0	14.8	0.0	10.2	324.6	520.0	73.6	105.0	384.2	364.3	322.0	250.5	301.9	1006.3	0.0	787.6							
24.0	157.0	14.7	0.0	10.6	321.5	522.0	74.1	104.9	382.4	359.9	319.7	248.8	297.6	1020.7	0.0	799.1							
25.0	158.0	14.5	0.0	11.3	319.3	523.2	73.8	105.1	381.6	356.6	317.4	246.4	294.5	1043.4	0.0	849.1							
26.0	159.0	14.4	0.0	12.5	317.2	528.0	74.1	106.0	381.6	353.8	315.4	244.2	291.2	1111.5	0.0	863.8							
27.0	160.0	14.3	0.3	13.9	315.3	531.2	74.5	106.9	382.8	350.2	313.3	242.3	288.0	1102.1	0.0	1025.1							
28.0	161.0	14.0	0.9	15.5	314.5	547.6	75.0	107.6	385.5	348.2	311.7	241.5	285.7	1188.5	0.0	1206.4							
29.0	162.0	13.9	0.9	15.6	314.3	551.8	74.7	107.2	390.3	347.0	309.9	240.5	284.1	1190.0	0.0	1295.0							
30.0	163.0	13.7	1.1	15.2	313.9	556.3	75.3	107.0	396.2	343.3	309.1	239.6	281.2	1203.5	0.0	1262.7							
31.0	164.0	13.6	0.6	14.8	314.4	559.9	75.1	106.8	402.7	342.2	308.7	238.6	279.9	1197.2	0.0	1220.1							
32.0	165.0	13.4	0.3	14.2	314.4	563.6	74.8	106.8	408.8	340.1	307.8	237.9	277.6	1177.5	0.0	1149.2							
33.0	166.0	13.3	0.2	13.5	314.5	565.3	75.7	106.2	413.4	338.8	306.7	237.4	276.1	1159.0	0.0	1000.9							
34.0	167.0	13.1	0.0	12.7	314.2	568.6	75.5	106.2	416.8	337.0	305.8	236.6	274.8	1156.7	0.0	941.6							
35.0	168.0	13.0	0.0	12.6	313.7	570.6	76.1	106.6	419.9	334.5	305.0	236.3	272.8	1163.1	0.0	979.0							
36.0	169.0	12.9	0.1	13.5	313.5	572.1	75.8	106.5	423.2	332.9	304.1	236.0	271.2	1176.3	0.0	994.6							
37.0	170.0	12.8	0.1	13.7	313.1	574.2	75.8	106.6	426.5	331.0	303.1	235.9	269.2	1182.3	0.0	994.2							
38.0	171.0	12.6	0.1	13.7	313.3	576.7	75.2	106.7	430.4	330.2	302.5	235.3	268.0	1192.4	0.0	1024.2							
39.0	172.0	12.5	0.1	14.1	313.1	578.8	75.4	106.8	433.9	328.2	301.9	235.0	266.5	1196.3	0.0	1061.0							
40.0	173.0	12.3	0.2	14.2	313.1	582.3	76.5	107.1	437.1	327.3	301.1	235.3	265.0	1190.6	0.0	1094.5							
41.0	174.0	12.2	0.3	14.3	313.2	585.3	76.1	106.9	440.4	325.9	300.5	235.8	263.4	1190.0	0.0	1132.2							
42.0	175.0	12.1	0.3	14.3	313.6	587.7	76.2	107.5	444.3	324.9	300.0	236.2	262.5	1187.7	0.0	1170.6							
43.0	176.0	11.9	0.4	14.2	313.5	589.3	76.7	107.4	447.2	323.7	299.6	236.0	261.2	1183.0	0.0	1218.7							
44.0	177.0	11.8	0.5	14.3	313.6	592.5	76.6	107.7	450.9	322.5	299.1	236.1	260.6	1173.3	0.0	1248.1							
45.0	178.0	11.6	0.2	14.2	313.4	595.5	76.7	107.9	454.2	321.6	298.1	236.1	259.8	1178.8	0.0	1301.1							
46.0	179.0	11.5	0.6	13.8	314.1	596.1	76.2	107.6	454.1	321.3	298.8	237.7	258.6	1171.7	0.0	1266.4							
47.0	180.0	11.4	0.3	13.7	314.1	597.6	76.4	108.2	456.2	320.2	298.7	237.8	257.8	1168.9	0.0	1302.1							
48.0	181.0	11.3	0.2	13.7	313.8	596.4	76.2	107.9	457.3	318.8	298.4	238.4	256.3	1142.5	0.0	1287.9							
49.0	182.0	11.1	0.3	13.2	314.0	595.8	76.4	107.5	459.3	318.1	298.2	238.8	255.4	1140.0	0.0	1259.7							
50.0	183.0	11.0	0.2	13.1	313.3	596.3	76.7	107.9	460.0	316.2	297.7	238.6	254.0	1138.1	0.0	1257.7							
51.0	184.0	10.9	0.2	13.0	313.2	596.6	76.9	108.2	461.1	315.4	297.4	239.2	253.1	1160.8	0.0	1361.4							
52.0	185.0	10.8	0.7	13.6	313.3	600.1	76.4	108.3	462.5	315.2	297.1	239.3	253.3	1167.5	0.0	1366.8							
53.0	186.0	10.6	0.2	14.2	313.4	602.6	76.3	108.4	463.9	314.6	297.2	239.6	251.9	1172.3	0.0	1377.7							
54.0	187.0	10.5	0.8	14.8	313.6	605.3	76.3	108.5	466.3	313.7	297.2	239.5	251.3	1177.3	0.0	1401.1							
55.0	188.0	10.4	0.7	14.6	313.8	607.6	76.4	108.8	468.7	313.5	297.0	239.9	250.1	1164.3	0.0	1360.3							
56.0	189.0	10.3	0.5	14.7	313.9	607.2	77.2	108.0	471.1	312.4	297.0	240.0	249.2	1155.1	0.0	1354.5							
57.0	190.0	10.1	0.5	14.2	313.8	605.8	77.2	107.8	472.7	311.3	296.8	240.1	248.3	1152.1	0.0	1322.9							
58.0	191.0	10.0	0.5	13.7	314.0	606.0	77.3	108.0	474.2	310.6	297.2	240.3	247.7	1150.9	0.0	1335.6							
59.0	192.0	9.9	0.5	13.7	314.5	605.5	76.7	108.0	475.6	311.0	297.7	240.3	247.6	1143.9	0.0	1316.7							
60.0	193.0	9.8	0.3	13.3	314.2	602.6	77.2	107.3	476.4	310.0	297.9	240.2	246.5	1129.5	0.0	1279.0							
61.0	194.0	9.7	0.3	13.4	314.1	602.1	77.7	107.7	477.4	308.9	298.3	240.3	246.1	1136.3	0.0	1236.3							
62.0	195.0	9.6	0.3	13.0	313.8	601.5	77.7	108.2	478.6	307.2	298.7	240.4	244.1	1134.4	0.0	1252.6							
63.0	196.0	9.5	0.3	12.8	314.1	600.5	77.0	108.7	479.6	307.9	298.4	240.7	243.7	1127.6	0.0	1285.9							
64.0	197.0	9.4	0.3	12.8	313.9	598.5	77.3	107.5	480.4	307.1	298.9	240.4	242.8	1126.7	0.0	1303.5							
65.0	198.0	9.2	0.3	12.8	314.0	596.1	78.0	107.0	481.0	307.1	299.1	241.1	241.7	1130.9	0.0	1288.2							
66.0	199.0	9.1	0.4	12.9	314.2	595.3	77.8	107.3	482.3	306.8	299.6	241.2	241.0	1125.4	0.0	1293.0							
67.0	200.0	9.0	0.2	12.8	314.1	593.9	77.5	107.7	483.7	305.7	300.1	241.1	240.2	1113.8	0.0	1280.2							
68.0	201.0	9.0	0.2	12.7	313.9	590.8	77.9	107.5	483.7	305.3	300.4	240.8	239.1	1114.6	0.0	1251.2							
69.0	202.0	8.9	0.2	12.4	313.6	589.0	77.7	107.9	485.9	304.4	300.2	240.6	238.3	1091.8	0.0	1176.8							
70.0	203.0	8.8	0.4	11.8	313.3	585.1	77.9	106.6	488.2	303.4	301.2	240.5	23										

126.0	259.0	4.1	0.0	11.1	339.0	531.9	78.0	100.8	431.8	409.2	356.1	275.6	222.1	974.8	0.0	854.6
127.0	260.0	4.1	0.0	11.0	339.3	529.4	78.4	100.6	429.6	411.1	356.8	276.8	222.2	968.9	0.0	850.6
128.0	261.0	4.0	0.0	11.0	339.8	527.4	77.7	100.5	427.2	413.9	357.9	277.3	222.6	962.0	0.0	847.4
129.0	262.0	3.9	0.0	11.0	339.9	524.8	77.5	100.7	424.2	415.7	358.5	278.4	222.6	960.5	0.0	845.9
130.0	263.0	3.9	0.0	11.0	340.2	523.7	77.7	100.5	422.8	417.1	358.8	280.2	222.7	964.2	0.0	843.7
131.0	264.0	3.9	0.0	11.0	340.6	522.5	77.1	100.2	419.8	417.7	359.5	280.5	223.3	970.1	0.0	846.7
132.0	265.0	3.8	0.0	11.0	340.7	521.1	77.9	99.9	417.9	421.3	359.7	281.1	223.8	968.9	0.0	845.2
133.0	266.0	3.8	0.0	11.0	341.3	519.4	77.4	99.6	416.3	423.4	360.6	281.9	224.1	969.3	0.0	843.1
134.0	267.0	3.7	0.0	11.0	341.4	517.6	78.4	99.8	414.9	424.0	361.0	283.1	224.3	969.0	0.0	846.0
135.0	268.0	3.6	0.0	11.1	341.7	517.1	76.7	99.5	413.1	425.6	361.5	283.8	224.4	971.8	0.0	849.1
136.0	269.0	3.6	0.0	11.2	342.4	515.1	78.2	99.4	412.2	428.1	361.8	284.6	225.1	971.4	0.0	851.4
137.0	270.0	3.5	0.0	11.1	342.6	514.5	77.5	98.9	410.9	428.8	362.4	285.4	225.6	963.5	0.0	849.2
138.0	271.0	3.5	0.0	11.0	342.9	513.0	76.8	99.1	409.7	429.8	362.8	286.4	226.0	957.3	0.0	846.2
139.0	272.0	3.5	0.0	10.9	343.4	511.0	77.9	98.2	408.5	431.4	363.2	287.3	226.7	950.0	0.0	836.9
140.0	273.0	3.4	0.0	10.6	342.9	508.5	77.8	98.3	406.8	430.5	363.5	287.2	226.3	931.2	0.0	825.2
141.0	274.0	3.4	0.0	10.2	343.4	505.5	77.2	98.1	405.2	431.5	364.2	289.0	226.8	918.5	0.0	816.4
142.0	275.0	3.4	0.0	10.0	343.6	502.8	78.4	98.1	403.7	432.5	364.7	289.8	227.3	902.2	0.0	808.4
143.0	276.0	3.4	0.0	9.8	343.6	499.3	76.9	97.8	401.8	432.8	365.1	290.3	228.0	878.3	0.0	800.3
144.0	277.0	3.3	0.0	9.7	343.6	495.7	76.9	97.6	399.6	432.9	366.0	291.0	228.3	863.0	0.0	797.6
145.0	278.0	3.3	0.0	9.7	343.4	491.9	78.0	97.0	397.1	433.6	366.0	292.0	228.5	852.8	0.0	790.8
146.0	279.0	3.3	0.0	9.6	342.9	489.1	77.7	97.0	394.5	432.8	366.7	292.4	228.9	843.7	0.0	788.6
147.0	280.0	3.2	0.0	9.6	342.8	485.5	77.1	97.2	391.7	432.6	366.6	293.0	229.6	836.6	0.0	788.4
148.0	281.0	3.2	0.0	9.6	342.7	482.3	77.8	96.9	389.0	433.9	367.2	293.5	230.0	830.9	0.0	788.6
149.0	282.0	3.2	0.0	9.7	342.6	479.2	77.2	96.4	386.4	434.2	367.4	294.6	230.6	825.5	0.0	784.2
150.0	283.0	3.2	0.0	9.7	342.5	475.6	77.9	96.1	384.3	434.9	367.4	294.9	230.9	819.4	0.0	782.8
151.0	284.0	3.1	0.0	9.7	342.2	472.8	77.8	95.6	381.8	434.8	367.6	296.0	231.1	815.5	0.0	781.3
152.0	285.0	3.1	0.0	9.7	342.4	470.6	76.9	95.7	379.4	436.3	367.8	296.5	232.1	810.1	0.0	777.8
153.0	286.0	3.1	0.0	9.7	342.3	467.3	77.2	95.6	377.2	436.0	368.6	297.1	232.4	805.0	0.0	775.9
154.0	287.0	3.1	0.0	9.7	342.5	465.5	77.5	95.0	375.0	436.5	369.1	298.5	233.5	801.8	0.0	776.9
155.0	288.0	3.0	0.0	9.7	342.2	462.8	77.3	95.1	373.0	436.3	369.6	298.2	233.9	799.3	0.0	776.7
156.0	289.0	3.0	0.0	9.7	342.7	460.9	76.6	94.9	371.4	438.7	370.1	298.6	234.6	795.8	0.0	776.5
157.0	290.0	3.0	0.0	9.7	342.4	457.8	77.3	94.6	369.5	438.1	370.2	299.3	235.0	794.4	0.0	775.9
158.0	291.0	2.9	0.0	9.7	342.4	455.9	77.0	94.9	367.8	438.7	370.5	299.3	235.5	792.5	0.0	774.0
159.0	292.0	2.9	0.0	9.7	342.8	453.8	76.9	94.3	366.1	440.2	371.1	300.3	236.5	791.5	0.0	772.7
160.0	293.0	2.9	0.0	9.7	342.7	452.0	77.4	94.2	364.8	440.3	371.3	300.4	236.9	790.5	0.0	776.5
161.0	294.0	2.9	0.0	9.8	342.6	449.7	76.9	94.4	363.3	440.6	371.2	300.8	237.0	788.5	0.0	765.8
162.0	295.0	2.8	0.0	9.6	342.9	447.8	78.0	93.9	361.9	441.6	371.7	301.6	237.5	783.6	0.0	763.2
163.0	296.0	2.8	0.0	9.6	342.6	445.5	77.2	93.7	360.5	441.8	371.4	301.4	237.8	782.8	0.0	760.9
164.0	297.0	2.8	0.0	9.6	342.2	443.9	77.3	94.0	358.8	441.3	370.9	301.8	238.1	782.2	0.0	759.5
165.0	298.0	2.8	0.0	9.6	342.1	442.1	77.6	93.7	357.4	441.4	370.9	302.4	238.4	782.5	0.0	758.9
166.0	299.0	2.7	0.0	9.5	342.6	440.8	77.2	93.4	356.4	443.0	370.9	303.2	239.3	782.3	0.0	756.6
167.0	300.0	2.7	0.0	9.5	342.3	438.7	77.4	93.2	355.1	442.7	370.5	303.3	239.8	782.2	0.0	758.0
168.0	301.0	2.7	0.0	9.6	342.3	437.5	76.9	93.1	354.1	442.6	370.3	304.0	240.4	781.9	0.0	758.8
169.0	302.0	2.7	0.0	9.6	342.4	436.0	77.5	93.1	353.1	442.8	370.4	304.8	240.9	781.9	0.0	760.1
170.0	303.0	2.6	0.0	9.7	342.1	434.6	77.8	92.8	351.9	442.5	370.0	304.7	241.4	782.1	0.0	761.2
171.0	304.0	2.6	0.0	9.7	342.1	434.1	77.8	92.6	351.3	441.8	370.0	305.3	242.7	781.6	0.0	760.2
172.0	305.0	2.6	0.0	9.7	341.5	431.6	77.7	92.5	350.8	442.7	369.5	305.1	243.3	783.6	0.0	763.6
173.0	306.0	2.6	0.0	9.7	341.1	429.6	77.6	92.5	348.8	439.7	369.1	305.0	242.7	787.8	0.0	764.7
174.0	307.0	2.5	0.0	9.5	340.7	428.9	77.4	92.5	348.3	438.9	368.0	305.1	243.2	790.3	0.0	766.5
175.0	308.0	2.5	0.0	9.4	340.3	428.3	77.8	92.3	347.3	437.7	367.6	305.6	243.5	791.9	0.0	760.8
176.0	309.0	2.5	0.0	9.3	340.3	427.8	77.7	92.0	346.8	437.7	367.1	305.7	244.0	793.9	0.0	759.8
177.0	310.0	2.5	0.0	9.2	339.6	426.8	77.6	91.6	345.9	435.9	366.5	305.6	244.2	796.2	0.0	758.9
178.0	311.0	2.5	0.0	9.2	339.4	426.7	77.2	91.7	345.3	435.9	365.8	305.9	244.6	798.5	0.0	758.5
179.0	312.0	2.4	0.0	9.1	339.5	425.4	77.3	91.7	344.7	435.4	365.4	305.9	246.1	801.0	0.0	759.4
180.0	313.0	2.4	0.0	9.2	338.9	424.1	77.2	91.4	344.3	434.4	365.8	305.6	246.3	802.2	0.0	756.3
181.0	314.0	2.4	0.0	9.1	338.5	423.9	77.3	91.4	344.0	431.4	363.9	306.4	246.7	804.0	0.0	756.7
182.0	315.0	2.4	0.0	9.2	337.9	423.3	77.0	91.2	343.3	429.1	363.8	305.7	247.4	804.3	0.0	756.3
183.0	316.0	2.3	0.0	9.2	337.5	422.3	77.3	91.0	342.8	428.4	363.1	305.2	247.8	805.6	0.0	759.7
184.0	317.0	2.3	0.0	9.3	337.2	422.1	77.4	91.1	342.6	427.5	362.7	304.6	248.9	805.6	0.0	758.7
185.0	318.0	2.3	0.0	9.3	336.7	421.7	77.3	91.1	341.9	425.8	362.1	304.4	249.2	805.2	0.0	759.8
186.0	319.0	2.3	0.0	9.3	336.1	421.1	76.8	91.0	341.7	424.0	361.5	303.7	249.6	804.4	0.0	755.4
187.0	320.0	2.2	0.0	9.3	335.4	420.5	76.7	90.9	341.3	422.2	360.4	303.1	250.1	797.6	0.0	748.1
188.0	321.0	2.2	0.0	9.1	335.1	419.1	77.0	91.0	341.0	420.6	360.5	303.5	250.5	791.5	0.0	748.1
189.0	322.0	2.2	0.0	9.0	334.5	418.3	77.2	90.9	340.6	419.2	358.8	302.7	251.3	787.8	0.0	745.3
190.0	323.0	2.2	0.0	8.9	334.1	417.6	77.2	90.8	340.1	418.6	358.4	301.3	252.0	786.7	0.0	743.7
191.0	324.0	2.2	0.0	8.9	333.8	416.6	77.3	90.9	339.6	418.1	358.0	300.9	252.6	786.3	0.0	745.7
192.0	325.0	2.2	0.0	8.9	333.2	415.8	76.8	90.6	338.7	416.4	357.2	300.9	253.1	785.6	0.0	742.6
193.0	326.0	2.1	0.0	8.9	332.4	415.1	76.9	90.2	338.2	414.5	356.3	300.1	253.1	786.2	0.0	744.8
194.0	327.0	2.1	0.0	8.9	331.9	414.0	77.0	90.5	337.5	413.5	355.5	299.5	253.5	787.2	0.0	744.0
195.0	328.0	2.1	0.0	9.0	331.6	413.5	76.4	90.6	337.1	412.7	354.7	298.9	254.4	787.7	0.0	742.0
196.0	329.0	2.1	0.0	8.9	330.8	412.1	77.1	90.7	336.3	411.9	353.9	297.8	254.9	788.2	0.0	742.6
197.0	330.0	2.0	0.0	9.0	330.9	411.1	76.9	90.3	335.9	410.3	353.1	297.5	255.8	796.2	0.0	741.4
198.0	331.0	2.0	0.0	9.0	329.9	410.7	76.7	90.2	335.3	408.7	352.6	296.4	256.5	791.3	0.0	742.3
199.0	332.0	2.0	0.0	9.0	329.8	411.0	75.7	90.0	334.8	408.2	352.2	296.0	257.6	792.6	0.0	743.8
200.0	333.0	2.0	0.0	9.0	329.7</											

255,0	388,0	0,7	0,0	9,5	321,4	387,0	76,1	87,7	319,0	355,8	347,8	290,8	293,4	793,9	0,0	699,6
256,0	389,0	0,6	0,0	9,2	321,1	387,1	75,7	87,7	318,9	354,4	347,7	290,9	293,4	770,0	0,0	686,8
257,0	390,0	0,7	0,0	9,0	321,2	385,6	75,9	87,5	318,8	354,6	347,3	291,1	294,3	758,2	0,0	686,3
258,0	391,0	0,6	0,0	8,9	320,7	384,3	76,2	87,6	318,2	353,4	346,8	290,8	294,3	754,2	0,0	686,4
259,0	392,0	0,6	0,0	8,9	320,7	383,6	76,0	87,6	317,8	352,9	347,2	290,7	295,0	752,6	0,0	684,1
260,0	393,0	0,5	0,0	8,9	320,7	383,2	76,2	87,6	317,6	353,3	346,9	290,5	295,3	752,2	0,0	680,7
261,0	394,0	0,6	0,0	8,8	320,3	382,3	75,7	87,5	316,5	352,7	346,7	289,8	295,7	746,5	0,0	670,8
262,0	395,0	0,5	0,0	8,6	320,1	381,2	76,4	87,5	315,8	352,7	346,7	289,1	296,1	743,3	0,0	667,4
263,0	396,0	0,5	0,0	8,6	319,7	380,4	76,0	87,4	315,1	351,9	346,7	288,7	296,3	741,3	0,0	667,5
264,0	397,0	0,5	0,0	8,5	319,3	379,4	75,8	87,7	314,4	351,6	346,1	288,2	296,4	740,4	0,0	667,2
265,0	398,0	0,5	0,0	8,5	318,7	378,7	75,9	87,5	313,8	350,7	345,5	287,1	296,7	741,8	0,0	666,5
266,0	399,0	0,4	0,0	8,5	318,3	378,4	75,9	87,5	313,3	349,9	345,0	286,4	296,8	741,2	0,0	665,2
267,0	400,0	0,4	0,0	8,6	318,0	377,7	76,0	87,1	312,8	349,5	344,6	285,6	297,4	741,3	0,0	663,1
268,0	401,0	0,4	0,0	8,6	317,4	377,6	75,7	87,2	312,2	348,5	344,2	284,8	297,4	740,8	0,0	663,8
269,0	402,0	0,4	0,0	8,5	316,9	376,6	75,8	87,3	311,6	348,6	343,6	283,2	297,4	740,8	0,0	661,4
270,0	403,0	0,4	0,0	8,5	316,2	376,2	75,7	87,3	311,1	346,5	343,0	282,7	297,5	739,1	0,0	656,2
271,0	404,0	0,4	0,0	8,3	315,9	375,0	75,5	87,2	310,6	346,3	343,1	281,7	298,0	731,8	0,0	654,3
272,0	405,0	0,3	0,0	8,3	315,3	373,5	75,0	87,4	310,0	344,8	342,6	281,1	298,2	727,9	0,0	654,3
273,0	406,0	0,3	0,0	8,3	314,6	373,1	75,6	87,0	309,0	343,9	341,9	280,3	298,1	728,5	0,0	653,9
274,0	407,0	0,3	0,0	8,3	314,3	372,3	75,7	87,0	308,6	343,5	341,5	279,5	298,5	727,8	0,0	649,7
275,0	408,0	0,3	0,0	8,2	313,6	371,3	75,5	87,0	307,9	342,1	340,8	279,0	298,4	728,6	0,0	646,8
276,0	409,0	0,2	0,0	8,2	313,2	370,5	75,5	86,9	307,4	341,1	340,4	278,5	298,6	729,3	0,0	647,1
277,0	410,0	0,2	0,0	8,2	313,1	370,1	75,7	87,0	306,8	341,1	340,1	278,2	299,2	730,5	0,0	649,4
278,0	411,0	0,2	0,0	8,2	312,2	369,0	75,5	86,6	306,3	339,3	339,4	276,9	299,2	733,1	0,0	648,9
279,0	412,0	0,2	0,0	8,2	312,0	369,0	75,5	86,8	305,7	339,3	339,1	276,2	299,6	734,2	0,0	649,4
280,0	413,0	0,2	0,0	8,2	311,8	368,8	75,6	86,8	305,4	338,7	338,5	275,7	300,7	736,2	0,0	648,6
281,0	414,0	0,1	0,0	8,2	311,4	368,7	75,4	86,8	304,9	338,0	337,9	275,3	300,8	739,3	0,0	650,1
282,0	415,0	0,1	0,0	8,2	311,1	368,7	75,7	86,8	304,6	337,6	337,6	274,8	301,1	741,5	0,0	649,6
283,0	416,0	0,1	0,0	8,3	310,7	367,9	75,3	86,8	304,1	336,6	337,3	274,0	301,5	743,3	0,0	649,8
284,0	417,0	0,1	0,0	8,3	310,3	367,8	75,2	86,8	304,0	335,0	336,8	273,9	301,6	745,5	0,0	650,7
285,0	418,0	0,1	0,0	8,3	309,9	367,4	75,3	86,6	303,8	334,2	336,1	273,5	301,7	747,1	0,0	650,6
286,0	419,0	0,1	0,0	8,3	309,6	366,9	75,5	86,7	303,7	333,7	335,6	273,1	302,0	747,1	0,0	650,7
287,0	420,0	0,1	0,0	8,3	309,0	366,8	75,2	86,4	303,4	332,2	334,7	272,7	302,3	748,1	0,0	650,5
288,0	421,0	0,1	0,0	8,2	308,9	366,6	75,2	86,4	302,9	331,9	334,2	272,5	303,0	749,4	0,0	651,7
289,0	422,0	0,0	0,0	8,3	308,9	366,3	75,1	86,4	303,0	331,6	333,2	272,4	304,3	750,3	0,0	649,4

Manufacturer: ICC
 Model: OPEL+ 3C

Run: 4
 Project #: PI 20161
 Test Duration: 289 min

	HHV	LHV
Eff	72,44%	78,30%
Comb Eff	99,04%	99,04%
HT Eff	73,14%	79,05%
Output	19 701	kJ/h
Burn Rate	1,37	kg/h
Grams CO	106	g
Input	27 194	kJ/h
MC wet	17,73	

Note: In the "Input data", "Calc. % O₂", "Fuel Properties", and "Mass Balance" columns, [e], [d], [g], [a], [b], [c], [h], [u], [w], [j], and [k] refer to their respective variables in Clauses 13.7.3

Ultimate CO₂
 CO_{2-ut} 19,64
 F_o
 1,062

	Air Fuel Ratio (A/F)	
Overall Heating Efficiency:	72,44%	Dry Molecular Weight (M _d) 30,11
Combustion Efficiency:	99,04%	Dry Moles Exhaust Gas (N _r): 358,29
Heat Transfer Efficiency:	73,14%	Air Fuel Ratio (A/F) 10,28

Heat Output:	18 688 Btu/h	19 701 kJ/h
Heat Input:	25 797 Btu/h	27 194 kJ/h
Burn Duration:	4,82 h	
Burn Rate:	3,03 lb/h	1,373 kg/h
Stack Temp:	489,3 Deg. F	254,1 Deg. C

Date: 10/18/02 Manufacturer: ILC Model: Opal + 3c
 Project #: PI 20161 Run: 4 Tech: MM Reviewer: DB

- Wdam - up + handling 700 LBS 5/16" 1" FINE	
- Fan off	
- by pass open	
- Damp 90°	
- At 65 LBS close Door	
At 600 LBS close by pass	
At 500 LBS 15 min open Fan (High)	
At 12 LBS instnd pre load	
close Fan	
At 145 LBS close Door	
At 141 LBS close by pass	
At 1200 LBS close air inlet	
- At 39 LBS instnd load	
At 3 min 30 s 3130 close Door	
At 2 min close by pass	
TEST LOAD CONFIGURATION	
- At 5100 close air inlet	
At 15 min open Fan	
(pas bouchon trov dans clapet de cote	

Date: 2018-02-20

Manufacturer: JCL

Model: Opel+70

Project #: PI 20161

Run: 4

Tech: MAN

Reviewer: DP

Moisture Meter Calibration Check:

Equipment #	Time	12%	22%
Em-191	7:30	ok	ok

Pre-Test

Post-Test

Facility Conditions:

Air Velocity from less than 2 feet.....

Smoke Capture Check.....

Picture.....

Pre-Test	Post-Test
4 (max 50 Fpm)	3 (max 50 Fpm)
ok	ok
4 sides ok	ok

Wood Heater Conditions:

Date Wood Heater Stack Cleaned.....

Date Dilution Tunnel Cleaned.....

Induced Draft Check (max 0.005 H2O).....

Traverse before ignition.....

Flow Rate 140 cfm ±10%.....

2018-02-14
2018-02-14
ok
ok

ok

Temperature System:

Ambient (65°-90°F).....

Wood Heater Surface (±125°F).....

ok	°F
ok	°F

Proportional Checks:

Thermocouple check.....

Pitot Clean.....

Pitot verification.....

ok
ok
ok

Sampling Train ID Numbers:

Probe.....

Filter Front.....

Filter Back.....

Filter Thermocouple.....

Filter (<90°F).....

Train 1 st hour	Train 1	Train 2
30	34	43
48	50	52
49	51	53 53 m-
11	11	12
ok	ok	ok

SAMPLING EQUIPMENT CHECK OUT

 Date: 2018-02-20

 Manufacturer: ICL

 Model: opcl 3c

 Project #: PT 20161

 Run: 4

 Tech: MR

 Reviewer: SP

Leakage Checks Tunnel Samplers

	System 1 st hour		System 1		System 2	
	Pre-Test ASTM (-15) CSA B415 (-5)	Post-Test (max test)	Pre-Test ASTM (-15) CSA B415 (-5)	Post-Test (Max test)	Pre-Test ASTM (-15) CSA B415 (-5)	Post-Test (Max test)
Unplugged Flow Rate = .25cfm						
Vacuum (inches Hg.)	-15	-15	-15	-15	-15	-15
Final 1minute DGM (Liter)	629258.22	630736.30	629258.35	630736.50	571156.38	572158.10
Initial 1minute DGM (Liter)	629258.20	630736.24	629258.31	630736.50	571156.34	572157.94
Change @ (Liter)	0.02	0.06	0.04	0	0.04	0.11
Allowable leakage .04 x Sample rate or 0.28Lpm CSA B415 (0.56)						
Check OK	OK	OK	OK	OK	OK	OK

Leakage Checks Flue Gas Sampler

Plugged Probe	Pre Test	Post Test
Vacuum (inches Hg.)	-5	-5
Rotometer Reading (mm/min.)	0	0
Flow Rate (lpm)	1.5	1.5
Allowable (.02 x Sample Rate)	30	30
Check OK	OK	OK

Leakage Checks Pitot

Plugged Probe	Pre Test 3 H ₂ O static	Pre Test 0.4-0.5 H ₂ O velocity	Post Test 3 H ₂ O Static	Post Test 0.4-0.5 H ₂ O velocity
Vacuum (inches Hg.)	3	.5	3	.4
Check OK (no change after 15 sec.)	OK	OK	OK	OK

Date: 2018-02-20 Manufacturer: ICL Model: opelt 3c
 Project #: pl 20161 Run: 4 Tech: mm Reviewer: DP

Pre-Test (Adjust and Record)

	ZERO		SPAN		CAL. (Record Only)	
	Actual	Should Be	Actual	Should Be	Actual	Should Be
CO	0	0	2996	3000	1005	1000
Tolerance CO		+/- 0.02		+/- 0.15		+/- 0.05
CO ₂	0	0	1791	1800	972	1000
Tolerance CO ₂		+/- 0.02		+/- 0.5		+/- 0.5
O ₂ informative CSA B415 calculated value	na	na	na	na	na	na
	Actual	Should Be	Actual	Should Be	Actual	Should Be

Post Test (Record Only)

	Zero	Span	Cal.	Zero Drift	Limit	Span Drift	Limit	Cal. Drift	Limit	OK?	Not OK*
CO	0.001	2992	1004	0.001	0.02	0.004	0.15	0.001	0.05	✓	
CO ₂	0	1795	972	0	0.02	0.04	0.5	0	0.5	✓	

Date: 2018-02-20 Manufacturer: ill Model: opc/1 3c
 Project #: p1 20161 Run: 4 Tech: mm Reviewer: DP

RAW DRY GAS METER READINGS

	System 1	System 2	Blanck
Final (Liter)	630 735, 21	572 656, 94	887, 72
Initial (Liter)	629 258, 77	571 58, 39	863, 08

AMBIENT CONDITIONS

	Before	After
Barometer (kPa):	101, 8	101, 2
Dry Bulb (F):	74, 68	74, 21
Humidity (%):	29, 7	26, 3

Flow Meter

	Start	End
Flow meter reading	N.D	N.D

Flow Meter Verification

	Before	After
Flow meter Check (liters)	N.D	N.D
Scale Weight (Kg)	N.D	N.D

FUEL DATA

Date: 2/18/2022 Manufacturer: ICC Model: Opel 3c
 Project #: PI 20161 Run: 4 Tech: MR Reviewer: DP

FUEL DESCRIPTION:

Type of wood:

PRE-TEST LOAD

Piece Size	Weight	Meter Moisture Content (% dry)*				
1 1/2 x 3 1/2 x 10 1/2 in.	1074 lbs.	20.9	20.6	20.3	20.9	20.8
1 1/2 x 3 1/2 x 10 1/2 in.	1054 lbs.	20.7	20.6	20.4	20.7	20.5
1 1/2 x 3 1/2 x 10 1/2 in.	1130 lbs.	21.0	21.1	19.9	20.1	20.4
1 1/2 x 3 1/2 x 10 1/2 in.	1122 lbs.	20.6	20.3	20.9	20.6	20.9
1 1/2 x 3 1/2 x 10 1/2 in.	0774 lbs.	21.0	21.1	21.6	21.1	21.2
x x in.	lbs.					
1 1/2 x 3 1/2 x 11 in.	0900 lbs.	21.6	21.3	21.9	21.4	21.3
1 1/2 x 3 1/2 x 11 in.	0992 lbs.	22.0	22.1	22.3	22.6	22.4
1 1/2 x 3 1/2 x 11 in.	0918 lbs.	21.9	21.8	21.9	21.4	21.6
1 1/2 x 3 1/2 x 11 in.	0890 lbs.	22.1	22.8	22.4	22.6	22.3
1 1/2 x 3 1/2 x 11 in.	0932 lbs.	21.9	21.8	21.8	21.4	21.3
1 1/2 x 3 1/2 x 11 in.	0914 lbs.	19.6	19.4	19.3	19.4	19.5
1 1/2 x 3 1/2 x 11 in.	1062 lbs.	19.9	19.8	19.7	19.7	19.9
1 1/2 x 3 1/2 x 11 in.	1192 lbs.	20.8	20.6	20.3	20.4	20.6
1 1/2 x 3 1/2 x 11 in.	1146 lbs.	21.0	22.3	22.3	22.2	22.4
1 1/2 x 3 1/2 x 11 in.	1074 lbs.	19.1	19.6	19.2	19.3	19.5
1 1/2 x 3 1/2 x 11 in.	1146 lbs.	19.1	19.2	19.7	19.2	19.9
1 1/2 x 3 1/2 x 11 in.	1032 lbs.	20.6	20.1	20.2	20.4	20.6
1 1/2 x 3 1/2 x 11 in.	1146 lbs.	19.9	19.3	19.2	19.2	19.4
1 1/2 x 3 1/2 x 11 in.	1046 lbs.	22.1	22.3	23.0	23.1	23.4
x x in.	lbs.					
x x in.	lbs.					
x x in.	lbs.					

TEST LOAD WEIGHT: 1998 lbs

FUEL DATA

Date: 2018-02-20 Manufacturer: ICC Model: Opel 3c
 Project #: PT 20161 Run: 4 Tech: Mr Reviewer: DP

FUEL DESCRIPTION:

Type of wood :

TEST LOAD

Piece Size	Weight	Meter Moisture Content (% dry)*				
1 1/2 x 3 1/2 x 15 3/4 in.	1 724 lbs.	231	235	238	237	237
1 1/2 x 3 1/2 x 15 1/4 in.	1 738 lbs.	231	234	238	237	234
1 1/2 x 3 1/2 x 15 1/2 in.	1 560 lbs.	191	193	194	196	197
1 1/2 x 3 1/2 x 15 3/4 in.	1 800 lbs.	206	201	213	219	216
3 1/2 x 3 1/2 x 15 3/4 in.	3 912 lbs.	208	215	211	217	214
3 1/2 x 3 1/2 x 15 1/4 in.	4 444 lbs.	209	203	216	219	213
1 1/2 x 3/4 x 5 in.	0 090 lbs.			208		
1 1/2 x 3/4 x 5 in.	0 098 lbs.			206		
1 1/2 x 3/4 x 5 in.	0 088 lbs.			209		
1 1/2 x 3/4 x 5 in.	0 086 lbs.			201		
1 1/2 x 3/4 x 5 in.	0 086 lbs.			206		
1 1/2 x 3/4 x 5 in.	0 104 lbs.			200		
1 1/2 x 3/4 x 5 in.	0 094 lbs.			206		
1 1/2 x 3/4 x 5 in.	0 104 lbs.			199		
1 1/2 x 3/4 x 5 in.	0 107 lbs.			193		
1 1/2 x 3/4 x 5 in.	0 106 lbs.			194		
1 1/2 x 3/4 x 5 in.	0 110 lbs.			199		
1 1/2 x 3/4 x 5 in.	0 112 lbs.			198		
1 1/2 x 3/4 x 5 in.	0 108 lbs.			203		
1 1/2 x 3/4 x 5 in.	0 106 lbs.			202		
1 1/2 x 3/4 x 5 in.	0 106 lbs.			204		
1 1/2 x 3/4 x 5 in.	0 100 lbs.			206		
1 1/2 x 3/4 x 5 in.	0 110 lbs.			210		
1 1/2 x 3/4 x 5 in.	0 104 lbs.			219		
1 1/2 x 3/4 x 5 in.	0 120 lbs.			213		
1 1/2 x 3/4 x 5 in.	0 110 lbs.			218		
1 1/2 x 3/4 x 5 in.	0 118 lbs.			219		

TEST LOAD WEIGHT: _____ lbs Min 20%: _____ Max 25%: _____



DILUTION TUNNEL PARTICULATE SAMPLER DATA

Date: 2-18-2019 Project #: PI 10161 Run: 4 Manufacturer: 166 Model: 0pel + 3c
 Tech: M.F. Reviewer: DP

Pre-test Weight Record		SYSTEM 1 - 1 st hour						Blank		
Date	Time	Probe & Housing Number	Front Filter Number	Back Filter Number	gaskets	Probe & Housing Number	Front Filter Number	Back Filter Number	gaskets	Blank
		30	48	49	12	34	50	51	15	54
2018-02-19	18:00	110, 2397	0, 1247	0, 1270	35, 1331	110, 1024	0, 1269	0, 1253	35, 4633	0, 1271
2018-02-20	10:00	110, 2398	0, 1246	0, 1270	35, 1332	110, 1024	0, 1268	0, 1254	35, 4634	0, 1270

Post-test Weight Record		SYSTEM 1 - 1 st hour						Blank		
Date	Time	Probe & Housing Number	Front Filter Number	Back Filter Number	gaskets	Probe & Housing Number	Front Filter Number	Back Filter Number	gaskets	Blank
		30	48	49	12	34	50	51	15	54
2018-02-20	19:30	110, 2420	0, 1247	0, 1287	35, 1369	110, 1038	0, 1261	0, 1254	35, 4655	0, 1270
2018-02-22	8:00	110, 2408	0, 1247	0, 1286	35, 1366	110, 1028	0, 1260	0, 1252	35, 4652	0, 1270
2018-02-26	8:00	110, 2407	0, 1247	0, 1295	35, 1364	110, 1028	0, 1259	0, 1252	35, 4645	0, 1270
2018-03-01	8:00	110, 2407	0, 1247	0, 1285	35, 1364	110, 1028	0, 1259	0, 1252	35, 4645	0, 1270



DILUTION TUNNEL PARTICULATE SAMPLER DATA

Date: 20/8-02-19 Project #: PI 20/1 Run: 4 Manufacturer: 1cc Model: Opel 3c
 Tech: pr Reviewer: DP

SYSTEM 2					
Pre-test Weight Record	Probe & Housing Number	Front Filter Number	Back Filter Number	gaskets	
Date	Time	43	52	53	20
2018-02-19	18:00	109.1643	0.1298	0.1286	35.3703
2018-02-26	10:00	109.1643	0.1298	0.1286	35.3704

SYSTEM 2					
Post-test Weight Record	Probe & Housing Number	Front Filter Number	Back Filter Number	gaskets	
Date	Time	43	52	53	21
2018-02-20	19:30	109.1658	0.1306	0.1277	35.3738
2018-02-22	8:00	109.1651	0.1304	0.1276	35.3732
2018-02-26	8:00	109.1654	0.1305	0.1277	35.3733
2018-03-01	8:00	109.1654	0.1305	0.1278	35.3734

Paramètres

Tous les facteurs de corrections et autres paramètres qui peuvent être modifiés par l'utilisateur du fichier sont regroupés ici.

Code verrouillage:

Description du test

Test standard	EPA
Run #	5
Date	21-02-2018
Technicien	M.M
Project #	PI 20161

Description de l'unité

Manufacturier	ICC	
Modèle	OPEL+ 3C	
Combustion system	Cat	
Appliance type	FIREPLACE	
Firebox volume	2,32	cu ft.
Appliance weight empty	N.A	lbs
Appliance weight full	N.A	lbs

Paramètres du test

Logging time	1	min
Manufacturer's rated heat output	N.A	BTU/h Donnée fournie par le manufacturier
Targeted category	4	
Targeted output	N.A	BTU/h
Cp steel	N.A	BTU/lb-°F

Échantillonnage

Blank sampling rate		cuft/min
Internal probe diameter	0,18	in.
Calibration Factor (DGM #1):	0,988	Dimensionless
Equipment number (DGM #1):	EM 178	
Calibration Factor (DGM #2):	0,988	Dimensionless
Equipment number (DGM #2):	EM 179	
Calibration Factor (DGM #3):	0,986	Dimensionless
Equipment number (DGM #3):	EM 070	Dimensionless

Tunnel

Targeted tunnel flow rate	140	scfm
Tunnel diameter	6	in.
Molecular weight	28,78	May be assumed to be 28,78 (EPA) Si B-415 = 29
Pitot tube type	Standard	
Pitot tube coefficient	0,99	Dimensionless

Project nu.	PI 20161
Date	21-02-2018
Technicien	M.M

Fuel data

Fuel type	Dimension	
Fuel specie	D. Fir	
HHV		19810,0 kJ/kg
%C		48,7
%H		6,9
%O		43,9
%Ash		0,5
HHV		8519,2 Btu/lb
LHV		7451,0 Btu/lb

Default Fuel Values		
	D. Fir	Oak/Maple
HHV	19 810	19 887
%C	48,73	50
%H	6,87	6,6
%O	43,9	42,9
%Ash	0,5	0,5
HHV (Btu/lb)	8519	8552
LHV (Btu/lb)	7451	7480

	Start	End
Barometer (kPa):	101,4	101,8
Barometer (in.Hg):	29,943409	30,06152868
Dry Bulb (F):	71,96	73,94
Humidity (%):	40,2	38,5
Air velocity (ft/min)	7	5

DGM #1	Final:	22306,572	cuft
	Initial:	22274,259	cuft
DGM #2	Final:	20255,907	cuft
	Initial:	20223,273	cuft
DGM room			

	Final:	631651,760	Liter
	Initial:	630736,750	Liter
	Final:	573583,390	Liter
	Initial:	572659,320	Liter
	Final:	903,020	cuft
	Initial:	887,720	cuft

Numéro de la ligne dans "Raw data" à partir duquel les données du VRAI test commencent

157

Autres données à rentrer: dans preload data, load data, traverse et filter set weight

Project nu.	PI 20161
Date	21-02-2018
Technicien	M.M

FUEL LOAD DATA SHEET, CSA B415

Test Load Weight:

Lower	Ideal	Upper
14,6	16,2	17,9

* For boilers, a loading density factor of 10 lb/ft³ is applic

Load Volume: cu. ft Loading Density: 7,7 lbs./ft³

Number of Spaces: Load Density (wet): 32,5 lbs./ft³

Spacer weight: lbs Dry Wood Density: 26,8 lbs./ft³

Piece Size (in):			Weight lbs	Meter Moisture Content					Ave. MC x Weight	Volume Cubic Inches	Ave. MC %
Thick	Wide	Length		Dry Uncorrected %							
1,5	3,5	15,75	1,62	19,10	19,20	19,60	19,30	19,50	31,40816	82,69	19,3
1,5	3,5	15,75	1,81	21,50	21,80	21,70	21,70	21,50	39,12512	82,69	21,6
1,5	3,5	15,75	1,82	21,20	21,60	21,40	21,90	21,30	39,05064	82,69	21,5
1,5	3,5	15,75	1,81	23,60	23,80	23,40	23,10	23,20	42,34336	82,69	23,4
3,5	3,5	15,75	4,27	22,30	21,80	21,40	21,90	22,00	93,4276	192,94	21,9
3,5	3,5	15,75	4,25	21,60	21,90	22,00	21,30	21,40	91,92672	192,94	21,6
1,5	0,75	5	0,09			19,90			1,8706	5,63	19,9
1,5	0,75	5	0,09			19,30			1,7756	5,63	19,3
1,5	0,75	5	0,09			19,80			1,8216	5,63	19,8
1,5	0,75	5	0,08			19,60			1,6464	5,63	19,6
1,5	0,75	5	0,09			19,90			1,8308	5,63	19,9
1,5	0,75	5	0,09			20,10			1,809	5,63	20,1
1,5	0,75	5	0,09			20,30			1,7458	5,63	20,3
1,5	0,75	5	0,09			20,40			1,8768	5,63	20,4
1,5	0,75	5	0,10			20,80			2,0384	5,63	20,8
1,5	0,75	5	0,09			20,90			1,881	5,63	20,9
1,5	0,75	5	0,10			20,10			1,9296	5,63	20,1
1,5	0,75	5	0,09			20,10			1,809	5,63	20,1
1,5	0,75	5	0,10			19,30			1,8914	5,63	19,3
1,5	0,75	5	0,098			19,80			1,9404	5,63	19,8
1,5	0,75	5	0,098			19,60			1,9208	5,63	19,6
1,5	0,75	5	0,096			19,70			1,8912	5,63	19,7
1,5	0,75	5	0,098			19,9			1,9502	5,63	19,9
1,5	0,75	5	0,092			20			1,84	5,63	20,0
1,5	0,75	5	0,1			20,3			2,03	5,63	20,3
1,5	0,75	5	0,098			20,4			1,9992	5,63	20,4
1,5	0,75	5	0,098			20,9			2,0482	5,63	20,9
1,5	0,75	5	0,098			20,9			2,0482	5,63	20,9
1,5	0,75	5	0,094			20,4			1,9176	5,63	20,4
1,5	0,75	5	0,098			20,6			2,0188	5,63	20,6
SUM MCx									382,8122		20,4 %

Test Load Weight: lbs. Dry Weight: kg.

Average Moisture Content: %

Dry: Dry(EPA) 21,46 Wet:
 Dry(B415) 21,46 *Must be 19-25* *must be 15,2-22*

Coal Bed Range: lbs. to lbs.

TEST CHARGE: Coal bed weight: lbs.

Project nu.	PI 20161
Date	21-02-2018
Technicien	<input type="text" value="M.M"/>

Tunnel Traverse Worksheet (for velocity calculations)

Static Pressure: 0,36 in. H2O
 Barometer: 29,900 in. Hg

Pour un tunnel de 12" et plus, prendre 6 lectures

	TUNNEL VELOCITY	TUNNEL TEMP	SQUARE ROOT
	In. wc	°F	
A center			0,0000
B center			0,0000
A1			0,0000
A2			0,0000
A3			0,0000
A4			0,0000
A5			0,0000
A6			0,0000
B1			0,0000
B2			0,0000
B3			0,0000
B4			0,0000
B5			0,0000
B6			0,0000
AVERAGE	#DIV/0!	#DIV/0!	0,0000

PITOT CONSTANT=
0,964

Pour un tunnel moins de 12", prendre 4 lectures

	TUNNEL VELOCITY	TUNNEL TEMP	SQUARE ROOT
	In. wc	°F	
A center	0,057	70,69	0,2387
B center	0,057	71,08	0,2387
A1	0,047	70,71	0,2168
A2	0,061	71,09	0,2470
A3	0,055	70,72	0,2345
A4	0,048	70,89	0,2191
B1	0,049	70,940	0,2214
B2	0,059	71,020	0,2429
B3	0,050	71,170	0,2236
B4	0,048	71,020	0,2191
AVERAGE	0,0531	70,9330	0,2302

Project nu.	PI 20161
Date	21-02-2018
Technicien	M.M

Filter set weight

	System 1 (g) 1st hour				System 1 (g)				System 2 (g)				Ambient blank (g)	Date	Heure
	probe	front	back	gasket	probe	front	back	gasket	probe	front	back	gasket	Filter		
Number	9	55	56	2	38	845	852	3	40	854	856	4	3008		
Before (1)															
Before (2)															
Before (3)															
Before (4)															:
Before (5)	61,4474	0,1271	0,1268	35,5783	110,4331	0,1281	0,1295	35,2161	110,1088	0,1270	0,1276	35,3214	0,1290	20/02/2018	20:00
Before (6)	61,4475	0,1272	0,1267	35,5784	110,4332	0,1281	0,1296	35,2160	110,1089	0,1271	0,1277	35,3215	0,1291	21/02/2018	10:00
After (1)	61,4480	0,1271	0,1273	35,5799	110,4337	0,1275	0,1288	35,2188	110,1093	0,1272	0,1279	35,3243	0,1293	21/02/2018	16:00
After (2)	61,4478	0,1269	0,1267	35,5794	110,4336	0,1273	0,1286	35,2187	110,1093	0,1269	0,1276	35,3229	0,1292	26/02/2018	08:00
After (3)	61,4477	0,1269	0,1267	35,5793	110,4336	0,1273	0,1286	35,2186	110,1094	0,1270	0,1277	35,3230	0,1292	01/03/2018	08:00
After (4)															
After (5)															
After (6)	61,4477	0,1269	0,1267	35,5793	110,4336	0,1273	0,1286	35,2186	110,1094	0,1270	0,1277	35,3230	0,1292	01/03/2018	08:00
Difference	0,0002	-0,0003	0,0000	0,0009	0,0004	-0,0008	-0,0010	0,0026	0,0005	-0,0001	0,0000	0,0015	0,0001		
Total (mg)		0,8				2				1,9			0,1		
Total ajusté (mg)		0,70				1,90				1,80					

Project nu.	PI 20161
Date	21-02-2018
Technicien	M.M

SFBA EPA EMISSION RESULTS

RESULTS

Average emission rate: 0,6 g/hr
 Burn Rate : 2,221 Dry kg/hr

Test Duration: 180 min

PRESSURE FACTOR: DGM 1 0,97356
 DGM 2 0,97362
 DGM 3 1,00276

BAROMETRIC PRESSURE
 Average: 30,002469 in Hg
 Start: 29,943409 in Hg
 End: 30,061529 in Hg

TEMPERATURE FACTORS DGM 1 0,98750
 DGM 2 0,98734
 DGM 3 0,97701

DGM CONTROLLER VALUES
 DGM 1 Final: 22306,572 Cuft
 Initial: 22274,259 Cuft

VOLUMES SAMPLED DGM 1 30,689 Scft
 DGM 2 31,007 Scft
 DGM 3 14,786 Scft

DGM 2 Final: 20255,907 Cuft
 Initial: 20223,273 Cuft

DGM #3 Final: 903,020 Cuft
 Initial: 887,720 Cuft

TOTAL TUNNEL VOLUME : 30016

TEMPERATURES
 DGM 1 534,684 °R
 DGM 2 534,769 °R

SAMPLE RATIOS
 Sample Train 1: 978,069
 Sample Train 2: 968,020

CALIBRATION FACTORS
 DGM 1 0,9879
 DGM 2 0,9884
 DGM #3 0,9864

Paticulate concentration
 Sample Train 1 **0,000065** g/dscf
 Sample Train 2 **0,000061** g/dscf
 Room **0,000007** g/dscf

TUNNEL FLOW RATE: 166,754 Dscfm

TOTAL EMISSIONS
 Sample Train 1 **1,75** g
 Sample Train 2 **1,64** g

PARTICULATE CATCH
 Total Sample Train 1: 2,00 mg
 Total Sample Train 2: 1,90 mg
 Total Sample Train 1 1st hour: 0,80 mg

EMISSION RATES
 Sample Train 1 **0,58** g/hr
 Sample Train 2 **0,55** g/hr

1st hour emission rate **0,78** g/hr

DEVIATION: 3,45%

Cs Train 1 Train 2
 6,517E-05 6,12758E-05

Elapsed Time	Raw data row	Weight Remaining	CO	CO ₂	O ₂	Flue Gas	Room Temp	Tunnel Dry Bulb	Unit Top	Unit Back	Unit R.Side	Unit L.Side	Unit Bottom	Catalyst Down	Catalyst Center	Catalyst Up
min		lbs	%	%	%	%	°F	°F	°F	°F	°F	°F	°F	°F	°F	°F
0.00	157.00	17.8	0.1	3.8	0.0	709.9	72.5	401.8	556.7	430.7	433.3	334.7	358.5	617.4	0.0	655.0
1.0	158.0	17.4	0.2	3.5	0.0	714.5	72.6	194.9	555.4	445.3	439.2	352.6	370.8	1148.3	0.0	882.5
2.0	159.0	17.3	0.1	10.7	0.0	707.2	72.5	74.5	555.4	447.7	444.7	379.8	352.2	1155.3	0.0	1096.4
3.0	160.0	17.1	0.1	10.8	0.0	746.1	72.9	156.7	551.6	465.5	448.4	375.7	386.9	1160.9	0.0	1136.8
4.0	161.0	16.9	0.1	11.2	0.0	741.6	72.9	151.0	550.9	472.1	450.4	383.3	393.7	1150.1	0.0	1127.3
5.0	162.0	16.8	0.0	9.8	0.0	736.7	72.9	147.4	550.2	475.5	451.7	388.2	399.0	1150.6	0.0	1139.4
6.0	163.0	16.6	0.0	10.2	0.0	733.1	72.9	144.5	549.3	477.4	451.8	391.1	403.1	1165.1	0.0	1088.8
7.0	164.0	16.5	0.0	9.7	0.0	729.2	73.1	142.8	548.0	476.9	450.3	393.0	406.8	1158.1	0.0	1079.1
8.0	165.0	16.3	0.0	9.9	0.0	726.6	72.7	141.4	546.6	475.7	448.2	393.5	410.2	1150.7	0.0	1093.6
9.0	166.0	16.2	0.0	9.8	0.0	723.7	72.5	140.8	545.2	473.4	445.6	393.3	412.7	1159.1	0.0	1041.2
10.0	167.0	16.0	0.8	9.8	0.0	720.2	72.4	139.3	543.7	471.6	442.6	393.2	415.6	1175.9	0.0	1027.5
11.0	168.0	15.9	0.0	9.7	0.0	717.6	72.7	139.1	542.1	467.9	438.9	391.8	416.7	1208.2	0.0	980.4
12.0	169.0	15.7	0.0	9.9	0.0	716.8	72.5	137.8	540.7	464.6	434.9	391.1	419.3	1192.6	0.0	983.1
13.0	170.0	15.5	0.0	10.3	0.0	714.7	72.7	137.3	539.1	460.6	430.6	389.6	420.1	1173.7	0.0	1041.1
14.0	171.0	15.4	0.0	10.1	0.0	711.7	76.1	137.0	537.8	455.8	427.0	388.7	420.8	1157.5	0.0	1117.2
15.0	172.0	15.2	0.0	10.1	0.0	708.8	76.2	136.2	536.1	451.2	423.4	384.7	420.9	1166.2	0.0	1137.0
16.0	173.0	15.1	0.0	10.0	0.0	707.7	77.5	136.5	527.0	439.6	415.6	359.7	410.8	1209.3	0.0	998.1
17.0	174.0	14.9	0.0	11.3	0.0	709.9	77.7	137.3	519.2	430.5	410.0	343.3	401.9	1209.9	0.0	1055.3
18.0	175.0	14.8	0.1	12.6	0.0	711.6	78.0	137.3	513.2	421.8	394.4	332.2	394.4	1188.0	0.0	1206.8
19.0	176.0	14.6	0.1	11.9	0.0	709.6	77.8	137.1	505.8	414.8	405.5	337.7	387.9	1161.7	0.0	1217.9
20.0	177.0	14.4	0.1	11.4	0.0	705.8	78.4	137.0	504.5	408.8	396.9	319.0	382.2	1145.1	0.0	1234.7
21.0	178.0	14.3	0.1	11.4	0.0	705.6	78.5	136.9	501.7	403.3	394.2	312.0	377.5	1163.5	0.0	1245.5
22.0	179.0	14.1	0.1	11.3	0.0	705.3	78.7	137.1	498.6	398.0	390.4	307.3	372.4	1169.7	0.0	1258.7
23.0	180.0	14.0	0.1	11.4	0.0	704.6	78.7	137.3	495.8	395.0	386.7	304.3	367.9	1153.7	0.0	1266.3
24.0	181.0	13.8	0.1	11.6	0.0	704.2	79.0	137.3	493.7	391.5	384.3	300.6	363.4	1157.3	0.0	1276.3
25.0	182.0	13.6	0.1	11.8	0.0	704.6	78.8	136.7	491.7	386.7	381.3	297.8	360.7	1171.8	0.0	1289.8
26.0	183.0	13.5	0.1	12.2	0.0	706.1	79.2	137.5	490.3	384.1	379.9	296.2	356.9	1185.8	0.0	1283.4
27.0	184.0	13.3	0.2	12.3	0.0	707.0	79.3	137.6	489.1	380.3	377.2	294.4	354.5	1193.6	0.0	1270.9
28.0	185.0	13.1	0.2	12.4	0.0	708.8	79.5	138.0	488.0	376.5	374.6	292.9	351.3	1200.5	0.0	1280.4
29.0	186.0	12.9	0.3	12.6	0.0	712.7	79.7	138.5	487.7	374.4	373.0	291.7	348.4	1205.1	0.0	1293.9
30.0	187.0	12.8	0.3	13.1	0.0	718.3	79.9	138.7	487.6	371.6	371.6	290.3	346.2	1213.4	0.0	1314.0
31.0	188.0	12.6	0.4	13.3	0.0	724.8	80.1	139.2	487.7	369.5	369.8	290.1	343.6	1217.1	0.0	1329.4
32.0	189.0	12.4	0.5	13.7	0.0	731.6	80.0	140.2	488.9	367.7	368.3	289.3	341.6	1231.6	0.0	1335.8
33.0	190.0	12.2	0.6	13.7	0.0	735.6	80.1	141.2	490.4	364.1	366.1	289.2	340.1	1215.4	0.0	1377.4
34.0	191.0	12.0	0.6	13.6	0.0	738.2	80.2	141.2	491.7	361.5	364.0	289.3	338.2	1203.1	0.0	1328.7
35.0	192.0	11.8	0.6	13.8	0.0	743.8	80.4	141.7	492.7	360.2	362.4	289.3	335.9	1226.7	0.0	1337.2
36.0	193.0	11.7	0.7	13.9	0.0	747.7	80.9	142.4	493.7	357.3	360.9	289.7	334.1	1230.1	0.0	1347.0
37.0	194.0	11.4	0.7	14.1	0.0	753.8	80.4	143.2	496.5	356.9	359.6	290.5	331.4	1246.4	0.0	1337.3
38.0	195.0	11.3	0.7	14.3	0.0	759.3	80.8	143.9	492.2	356.1	358.3	292.3	329.9	1244.1	0.0	1360.4
39.0	196.0	11.1	0.7	14.5	0.0	764.5	81.0	144.5	501.9	353.1	357.2	293.8	328.6	1243.6	0.0	1355.6
40.0	197.0	10.9	0.7	14.5	0.0	767.7	80.5	144.9	504.2	352.5	356.4	295.4	327.7	1247.5	0.0	1360.7
41.0	198.0	10.7	0.7	14.6	0.0	771.4	81.5	145.8	507.3	352.0	355.9	298.1	325.4	1250.1	0.0	1356.2
42.0	199.0	10.4	0.7	14.7	0.0	775.4	81.5	146.2	509.7	351.2	354.2	301.0	324.0	1257.7	0.0	1359.7
43.0	200.0	10.2	0.7	14.7	0.0	778.7	81.5	146.4	512.8	350.2	353.4	303.6	322.9	1258.8	0.0	1370.3
44.0	201.0	10.1	0.8	14.7	0.0	782.3	81.5	146.8	515.9	350.1	352.8	306.4	321.2	1268.1	0.0	1380.1
45.0	202.0	9.9	0.8	14.8	0.0	786.9	81.5	147.2	518.8	349.8	352.2	309.2	319.7	1282.4	0.0	1392.0
46.0	203.0	9.7	0.9	15.1	0.0	793.0	82.3	148.3	522.0	350.0	351.6	311.8	318.6	1294.3	0.0	1380.4
47.0	204.0	9.5	0.8	15.4	0.0	797.3	82.5	148.6	525.3	350.9	351.0	314.4	316.5	1302.8	0.0	1405.3
48.0	205.0	9.3	0.9	15.5	0.0	802.6	82.8	149.1	529.1	349.9	351.4	317.8	315.2	1311.0	0.0	1410.9
49.0	206.0	9.1	1.0	15.6	0.0	807.6	82.9	149.8	533.0	349.4	351.4	320.5	314.3	1323.2	0.0	1423.3
50.0	207.0	8.9	1.1	15.8	0.0	811.0	83.2	150.7	537.3	349.0	351.8	323.4	312.8	1330.8	0.0	1431.0
51.0	208.0	8.7	1.3	15.9	0.0	814.4	83.3	150.5	541.4	348.3	351.3	327.0	311.9	1341.5	0.0	1431.6
52.0	209.0	8.5	1.2	16.1	0.0	819.2	83.7	150.9	545.3	348.6	351.7	329.8	310.4	1349.6	0.0	1437.3
53.0	210.0	8.3	1.6	16.0	0.0	820.9	83.8	150.5	549.6	348.5	352.0	332.6	309.5	1349.7	0.0	1430.6
54.0	211.0	8.2	0.9	15.7	0.0	822.3	84.0	149.7	554.0	349.0	352.3	335.5	308.4	1327.1	0.0	1412.9
55.0	212.0	8.0	0.7	15.3	0.0	819.4	83.9	149.4	556.9	349.3	352.5	338.1	306.8	1304.2	0.0	1396.5
56.0	213.0	7.8	0.5	14.9	0.0	816.7	83.8	148.7	559.5	349.7	353.1	340.3	306.0	1273.4	0.0	1356.3
57.0	214.0	7.7	0.3	14.3	0.0	809.2	83.9	148.6	560.6	350.5	353.3	343.1	305.0	1246.4	0.0	1332.2
58.0	215.0	7.5	0.4	13.8	0.0	802.6	83.9	147.8	560.6	350.4	353.6	345.8	304.2	1231.5	0.0	1319.5
59.0	216.0	7.4	0.4	13.7	0.0	796.4	83.8	147.0	559.8	349.8	354.4	347.4	304.1	1229.4	0.0	1297.9
60.0	217.0	7.2	0.3	13.7	0.0	790.7	83.5	147.1	558.9	351.6	355.4	349.9	303.0	1219.2	0.0	1280.4
61.0	218.0	7.1	0.3	13.6	0.0	785.5	83.4	146.4	558.4	350.4	355.4	352.4	302.4	1212.7	0.0	1272.7
62.0	219.0	7.0	0.3	13.7	0.0	779.5	83.5	145.7	555.3	349.8	356.1	354.4	301.3	1220.4	0.0	1267.2
63.0	220.0	6.9	0.3	13.6	0.0	776.0	83.9	145.0	553.6	352.7	356.6	356.2	299.9	1216.5	0.0	1263.1
64.0	221.0	6.7	0.2	13.7	0.0	773.5	83.9	144.2	551.7	353.1	357.2	358.9	299.4	1214.4	0.0	1276.2
65.0	222.0	6.6	0.2	13.8	0.0	769.3	83.9	144.0	549.8	353.8	358.0	361.5	298.3	1203.7	0.0	1262.3
66.0	223.0	6.4	0.2	13.6	0.0	766.3	83.8	143.5	548.2	353.3	358.8	363.7	297.2	1184.2	0.0	1252.9
67.0	224.0	6.3	0.1	13.3	0.0	762.6	84.1	142.5	546.4	356.4	359.9	365.4	296.9	1166.4	0.0	1242.2
68.0	225.0	6.2	0.1	13.1	0.0	757.4	84.0	142.1	544.5	357.0	361.2	367.3	296.7	1154.2	0.0	1224.6
69.0	226.0	6.1	0.1	12.8	0.0	751.9	83.5	141.3	541.7	357.2	361.9	369.3	295.9	1138.3	0.0	1200.5
70.0	227.0	6.0	0.0	12.4	0.0	745.8	83.7	140.8	538.5	359.1	363.3	370.7	294.8	1117.4	0.0	1170.5
71.0	228.0	5.8	0.0	12.1	0.0	739.7	83.8	140.1	535.4	359.5	364.5	373.0	294.6	1103.9	0.0	1160.8
72.0																

126,0	283,0	2,0	0,0	7,8	0,0	596,0	80,7	126,3	393,2	460,6	423,5	387,4	295,9	904,5	0,0	863,4
127,0	284,0	2,0	0,0	8,0	0,0	595,2	80,4	126,3	391,5	461,0	424,9	386,4	297,1	905,3	0,0	865,6
128,0	285,0	1,9	0,0	8,0	0,0	594,2	80,7	126,0	389,9	461,0	423,2	386,2	297,8	905,2	0,0	862,9
129,0	286,0	1,9	0,0	8,0	0,0	593,3	80,5	126,2	389,4	461,1	423,2	386,0	298,2	905,1	0,0	864,2
130,0	287,0	1,9	0,0	8,0	0,0	592,8	80,5	126,0	387,0	460,5	423,3	386,1	299,0	905,2	0,0	866,3
131,0	288,0	1,9	0,0	8,1	0,0	591,7	79,9	126,1	384,9	460,4	420,6	385,3	299,7	902,1	0,0	868,1
132,0	289,0	1,9	0,0	8,1	0,0	590,7	80,1	126,3	383,5	461,4	421,8	384,9	300,1	902,6	0,0	864,4
133,0	290,0	1,8	0,0	8,1	0,0	590,3	79,7	126,1	382,0	462,3	420,6	384,5	301,4	902,3	0,0	861,7
134,0	291,0	1,7	0,0	8,0	0,0	589,3	80,2	126,4	380,9	462,4	420,2	384,3	302,3	885,0	0,0	848,5
135,0	292,0	1,7	0,0	7,6	0,0	586,8	79,9	126,5	379,5	463,4	420,1	384,1	303,5	876,2	0,0	844,5
136,0	293,0	1,7	0,0	7,6	0,0	585,6	80,1	126,6	378,1	464,1	419,0	383,7	303,7	873,3	0,0	845,1
137,0	294,0	1,6	0,0	7,5	0,0	584,7	79,9	126,4	376,4	465,7	418,7	383,2	304,2	872,7	0,0	848,4
138,0	295,0	1,6	0,0	7,6	0,0	583,8	80,0	126,3	375,1	466,4	418,2	382,0	304,9	868,0	0,0	843,0
139,0	296,0	1,5	0,0	7,5	0,0	582,0	80,0	126,2	373,2	465,0	420,4	380,6	306,4	873,0	0,0	844,7
140,0	297,0	1,5	0,0	7,6	0,0	581,5	79,7	126,3	371,7	467,9	416,9	379,2	307,0	873,1	0,0	843,4
141,0	298,0	1,5	0,0	7,6	0,0	580,7	79,7	126,2	370,1	467,1	417,2	378,7	308,1	869,6	0,0	843,9
142,0	299,0	1,4	0,0	7,6	0,0	579,3	79,7	126,1	368,4	468,0	416,3	378,3	308,3	866,0	0,0	841,7
143,0	300,0	1,4	0,0	7,6	0,0	579,0	79,8	126,0	367,3	468,9	416,3	377,7	308,5	865,1	0,0	838,6
144,0	301,0	1,3	0,0	7,5	0,0	578,1	79,7	125,9	365,7	469,0	415,9	377,4	308,9	866,7	0,0	832,7
145,0	302,0	1,3	0,0	7,4	0,0	578,1	79,7	126,4	364,4	471,4	415,3	376,1	309,6	869,1	0,0	832,4
146,0	303,0	1,3	0,0	7,5	0,0	577,5	79,4	126,5	363,6	472,4	415,6	375,3	310,7	874,8	0,0	832,8
147,0	304,0	1,2	0,0	7,5	0,0	577,3	79,7	126,9	362,6	472,2	415,2	375,0	311,9	874,3	0,0	834,8
148,0	305,0	1,2	0,0	7,5	0,0	576,8	79,6	126,9	361,5	471,9	414,0	375,1	312,2	866,2	0,0	827,4
149,0	306,0	1,1	0,0	7,4	0,0	575,8	79,9	126,7	360,8	474,7	413,2	373,6	313,1	864,4	0,0	824,1
150,0	307,0	1,1	0,0	7,4	0,0	575,5	80,0	126,8	360,0	474,5	412,6	373,6	314,0	864,8	0,0	824,0
151,0	308,0	1,0	0,0	7,3	0,0	574,6	79,9	126,8	358,9	474,5	411,8	373,2	315,1	858,7	0,0	821,0
152,0	309,0	1,0	0,0	7,3	0,0	572,8	80,0	126,8	358,0	474,5	412,6	372,9	315,3	856,6	0,0	820,4
153,0	310,0	1,0	0,0	7,3	0,0	573,5	80,0	126,6	357,1	474,9	411,7	372,8	315,8	858,6	0,0	823,5
154,0	311,0	0,9	0,0	7,3	0,0	573,7	80,0	127,0	356,3	474,8	412,1	371,6	317,2	857,9	0,0	829,9
155,0	312,0	0,9	0,0	8,1	0,0	574,3	79,5	127,5	355,4	475,4	410,8	370,8	317,4	857,2	0,0	869,6
156,0	313,0	0,9	0,0	7,8	0,0	575,9	79,4	127,3	354,9	475,9	409,7	370,2	317,9	860,6	0,0	864,2
157,0	314,0	0,8	0,0	7,2	0,0	575,0	79,8	127,4	354,5	474,8	409,2	370,3	318,8	860,6	0,0	851,9
158,0	315,0	0,8	0,0	7,0	0,0	574,2	79,6	127,1	353,7	472,9	409,3	369,5	319,8	858,7	0,0	844,7
159,0	316,0	0,7	0,0	7,0	0,0	574,0	79,7	126,9	353,3	473,3	408,8	368,8	319,1	859,8	0,0	839,5
160,0	317,0	0,7	0,0	6,9	0,0	573,6	79,4	127,1	352,8	471,1	409,0	368,2	319,4	860,4	0,0	836,8
161,0	318,0	0,7	0,0	6,9	0,0	574,0	79,6	126,7	352,1	468,5	409,6	367,1	319,7	859,8	0,0	832,5
162,0	319,0	0,6	0,0	6,9	0,0	574,0	79,7	126,7	351,5	466,0	411,2	365,9	320,1	860,7	0,0	832,4
163,0	320,0	0,6	0,0	6,9	0,0	573,3	79,7	126,9	351,1	463,2	412,7	365,2	320,4	859,8	0,0	827,8
164,0	321,0	0,5	0,0	7,0	0,0	572,6	79,4	126,7	350,3	460,2	412,9	364,5	320,7	861,3	0,0	827,4
165,0	322,0	0,5	0,0	6,9	0,0	572,6	79,2	126,9	349,4	456,7	414,4	363,7	321,0	862,1	0,0	826,6
166,0	323,0	0,5	0,0	7,0	0,0	572,0	79,2	126,7	348,8	453,1	416,5	363,1	321,7	861,5	0,0	828,6
167,0	324,0	0,4	0,0	7,0	0,0	571,7	79,1	126,8	348,3	450,5	417,2	362,1	322,4	865,4	0,0	827,8
168,0	325,0	0,4	0,0	6,8	0,0	571,1	78,6	126,4	347,8	447,5	417,7	361,2	323,1	865,4	0,0	824,8
169,0	326,0	0,4	0,0	6,8	0,0	570,3	78,6	126,9	347,3	445,9	417,2	360,6	323,2	864,8	0,0	823,5
170,0	327,0	0,4	0,0	6,7	0,0	569,8	78,4	126,7	346,9	443,5	417,0	359,8	323,8	865,1	0,0	822,5
171,0	328,0	0,3	0,0	6,7	0,0	569,5	78,8	126,9	346,2	441,9	417,2	358,5	324,4	864,8	0,0	819,2
172,0	329,0	0,3	0,0	6,6	0,0	568,9	78,9	126,9	345,3	438,2	418,2	356,3	325,6	860,9	0,0	814,0
173,0	330,0	0,2	0,0	6,6	0,0	568,0	79,0	127,1	344,5	435,1	418,4	357,0	326,8	861,1	0,0	811,8
174,0	331,0	0,2	0,0	6,5	0,0	566,9	78,6	126,9	344,1	433,5	419,1	355,7	326,7	857,4	0,0	807,5
175,0	332,0	0,2	0,0	6,4	0,0	566,0	78,7	126,4	343,4	433,0	417,5	355,1	327,2	856,5	0,0	804,9
176,0	333,0	0,1	0,0	6,4	0,0	565,6	78,8	126,5	343,1	431,3	417,5	354,1	328,4	858,2	0,0	801,3
177,0	334,0	0,1	0,0	6,4	0,0	565,4	78,7	126,7	342,4	428,8	417,3	352,8	329,2	857,3	0,0	801,5
178,0	335,0	0,1	0,0	6,4	0,0	564,3	78,4	126,6	341,5	427,9	417,5	351,2	329,8	852,0	0,0	792,1
179,0	336,0	0,1	0,0	6,1	0,0	562,5	78,7	126,9	340,7	426,5	419,2	350,5	329,6	847,9	0,0	782,9
180,0	337,0	0,0	0,0	5,9	0,0	561,1	78,5	126,6	339,5	424,0	418,1	349,0	330,5	843,9	0,0	781,3

Manufacturer: ICC
 Model: OPEL+ 3C

Run: 5
 Project #: PI 20161
 Test Duration: 180 min

	HHV	LHV
Eff	65,80%	71,11%
Comb Eff	98,77%	98,77%
HT Eff	66,62%	72,00%
Output	28 951	kJ/h
Burn Rate	2,22	kg/h
Grams CO	132	g
Input	44 001	kJ/h
MC wet	17,67	

Note: In the "Input data", "Calc. % O₂", "Fuel Properties", and "Mass Balance" columns, [e], [d], [g], [a], [b], [c], [h], [u], [w], [j], and [k] refer to their respective variables in Clauses 13.7.3

Ultimate CO₂
 CO_{2-ut} 19,64
 F_o
 1,062

	Air Fuel Ratio (A/F)	
Overall Heating Efficiency:	65,80%	Dry Molecular Weight (M _d) 30,00
Combustion Efficiency:	98,77%	Dry Moles Exhaust Gas (N _r): 387,85
Heat Transfer Efficiency:	66,62%	Air Fuel Ratio (A/F) 11,13

Heat Output:	27 463 Btu/h	28 951 kJ/h
Heat Input:	41 740 Btu/h	44 001 kJ/h
Burn Duration:	3,00 h	
Burn Rate:	4,90 lb/h	2,221 kg/h
Stack Temp:	666,0 Deg. F	352,2 Deg. C

Date: 2018-02-22

Manufacturer: ILL

Model: OPCL+ 3C

Project #: PT 20161

Run: 5

Tech: MR

Reviewer: DP

- 18 WARM-up + kindling 83 LBS SJAN1 FANU
- Fan off
- bypass open
- Damper 90°
Δ 36 LBS c/bst Door
Δ 71 LBS c/bst by pass
Δ 15 min oper Fan High
Δ 12 LBS instl prebnd
c/bst Fan
Δ 198 LBS c/bst Door
Δ 144 LBS c/bst by pass
- Δ 125 LBS oper Fan (High)
- Δ 36 LBS instl load
- c/bst Fan
- instl load
- c/bst Door immediately
TEST LOAD CONFIGURATION
Δ 15 min oper Fan (High)
3 hour overland days c/bst c/bst

PRE / POST CHECKS

Date: 2018-02-21 Manufacturer: IC Model: Open 30
 Project #: PI 20161 Run: 5 Tech: Mr Reviewer: JP

Moisture Meter Calibration Check:

Equipment #	Time	12%	22%
EM-191	7:00	ok	ok

Pre-Test

Post-Test

Facility Conditions:

Air Velocity from less than 2 feet

7 (max 50 Fpm)	5 (max 50 Fpm)
----------------	----------------

Smoke Capture Check

ok	ok
----	----

Picture

4 sides ok	ok
---------------	----

Wood Heater Conditions:

Date Wood Heater Stack Cleaned

2018-02-14

Date Dilution Tunnel Cleaned

2018-02-14

Induced Draft Check (max 0.005 H2O)

ok

Traverse before ignition

ok

Flow Rate 140 cfm ±10%

ok

Temperature System:

Ambient (65°-90°F)

ok	°F
----	----

Wood Heater Surface (±125°F)

ok	°F
----	----

Proportional Checks:

Thermocouple check

ok

Pitot Clean

ok

Pitot verification

ok

Sampling Train ID Numbers:

Probe

Train 1 st hour	Train 1	Train 2
009	38	40
55	845	854
56	852	856
11	3	4
✓	✓	✓

Filter Front

Filter Back

Filter Thermocouple

Filter (<90°F)

SAMPLING EQUIPMENT CHECK OUT

 Date: 2018-02-21

 Manufacturer: IC

 Model: Opcl 36

 Project #: pJ 20161

 Run: 5

 Tech: mu

 Reviewer: N

Leakage Checks Tunnel Samplers

	System 1 st hour		System 1		System 2	
	Pre-Test ASTM (-15) CSA B415 (-5)	Post-Test (max test)	Pre-Test ASTM (-15) CSA B415 (-5)	Post-Test (Max test)	Pre-Test ASTM (-15) CSA B415 (-5)	Post-Test (Max test)
Unplugged Flow Rate = .25cfm						
Vacuum (inches Hg.)	-15	-15	-15	-15	-15	-15
Final 1 minute DGM (Liter)	630736,70	631652,84	630737,03	631653,11	572659,74	573584,83
Initial 1 minute DGM (Liter)	630736,69	631652,82	630736,98	631653,09	572659,73	573584,77
Change © (Liter)	0,01	0,02	0,05	0,02	0,01	0,01
Allowable leakage .04 x Sample rate or 0.28Lpm CSA B415 (0.56)						
Check OK	ok	ok	ok	ok	ok	ok

Leakage Checks Flue Gas Sampler

Plugged Probe	Pre Test	Post Test
Vacuum (inches Hg.)	-5	-5
Rotometer Reading (mm/min.)	0	0
Flow Rate (lpm)	1.5	1.5
Allowable (.02 x Sample Rate)	30	30
Check OK	ok	ok

Leakage Checks Pitot

Plugged Probe	Pre Test 3 H ₂ O static	Pre Test 0.4-0.5 H ₂ O velocity	Post Test 3 H ₂ O Static	Post Test 0.4-0.5 H ₂ O velocity
Vacuum (inches Hg.)	3	-5	3	-4
Check OK (no change after 15 sec.)	ok	ok	ok	ok

Date: 2/8-0-21 Manufacturer: ICC Model: Opel + 3c
 Project #: PI 2/161 Run: 5 Tech: MA Reviewer: DO

Scale Type	Audit		Measured Weight
	Equipment #	Weight	
Platform	<u>EM 090</u>	<u>4.4</u> lbs, Class F	<u>4.4</u> lbs
Wood	<u>EM 090</u>	<u>4.4</u> lbs, Class F	<u>4.4</u> lbs
Analytical	<u>EM-128</u>	<u>100</u> mg, Class S	<u>100</u> mg
Analytical	<u>EM-127</u>	<u>200</u> g, Class S	<u>200</u> g

LIMITS OF WEIGHT RANGES

ANALYTICAL SCALE: 50%-150% of dry filter weight, ± 0.1 mg
PLATFORM SCALE: 20%-80% of ideal test load weight, ± 0.1 lbs or 1%
WOOD SCALE: 20%-80% of ideal test load weight, ± 0.01 lbs or 1%

Date: 2018-02-21 Manufacturer: ICC Model: OPCL 3L
 Project #: PT 2.161 Run: 5 Tech: MM Reviewer: DO

FOR TUNNELS < 12 in.

Barometric pressure (P_{bar}) 036 (KPa.) Static pressure (P_q) 101.4 (inches w.c.)
 Inside diameter: Port A _____ Port B _____
 Tunnel cross sectional area: .1963Ft²
 Pitot tube type: Standard

Traverse Point	Position (inches)			Velocity Head Δ_p (inches H ₂ O)	Tunnel Temperature (°F)
	6 po	7 po	8 po		
A- Centroid	3.00	3.50	4	0057	70.69
B - Centroid	3.00	3.50	4	0057	71.08
A-1	0.40	0.50	0.50	0047	70.71
A-2	1.50	1.75	2	0061	71.09
A-3	4.50	5.25	6	0055	70.72
A-4	5.60	6.5	7.5	0048	70.89
B-1	0.40	0.50	0.50	0049	70.94
B-2	1.50	1.75	2	0059	71.02
B-3	4.50	5.25	6	0050	71.17
B-4	5.60	6.5	7.5	0048	71.02
				AVERAGE	

$$v_s = K_p C_p (\sqrt{\Delta p})_{avg} \sqrt{\frac{(T_s)_{avg}}{P_s M_s}}$$

Where,

C_p = pitot tube coefficient, dimension less = 0.99 for standard pitot.

Δ_p = manometer reading (inches H₂O)

T_s = average absolute dilution tunnel temperature (°F + 460)

P_s = absolute dilution tunnel gas pressure or $P_{bar} + P_{sq}$

P_q = static pressure in. H₂O
 { 13.6 }

M_s = 28.56, wet molecular weight of stack gas (alternatively, it may be measured)

K_p = 85.49 pitot tube constant, (conversion factor for English units)

Δ_p avg. = average of the square roots of the velocity heads (Δ_p) measured at each traverse point.

CONTINUOUS ANALYZERS

Date: 2018-02-21 Manufacturer: 1cc Model: Opel 3L
 Project #: PT 20161 Run: .5 Tech: Mr Reviewer: DP

Pre-Test (Adjust and Record)

	ZERO		SPAN		CAL. (Record Only)	
	Actual	Should Be	Actual	Should Be	Actual	Should Be
CO	0	0	2995	3000	1004	1000
Tolerance CO		+/- 0.02		+/- 0.15		+/- 0.05
CO ₂	0	0	1797	1800	973	1000
Tolerance CO ₂		+/- 0.02		+/- 0.5		+/- 0.5
O ₂ informative CSA B415 calculated value	na	na	na	na	na	na

Post Test (Record Only)

	Zero	Span	Cal.	Zero Drift	Limit	Span Drift	Limit	Cal. Drift	Limit	OK*	Not OK*
CO	0005	2995	1004	0005	0.02	0	0.15	0004	0.05	✓	
CO ₂	0	1797	973	0	0.02	0.05	0.5	0.02	0.5	✓	

Date: 20/15/2016 Manufacturer: ica Model: opc/13c
 Project #: PT 2016 Run: 5 Tech: mm Reviewer: DP

RAW DRY GAS METER READINGS

	System 1	System 2	Blank
Final (Liter)	631651,76	573583,39	903,02
Initial (Liter)	630736,75	572659,31	887,72

AMBIENT CONDITIONS

	Before	After
Barometer (kPa):	101,4	101,8
Dry Bulb (F):	71,96	73,94
Humidity (%):	40,2	38,5

Flow Meter

	Start	End
Flow meter reading	N.A	N.A

Flow Meter Verification

	Before	After
Flow meter Check (liters)	N.A	N.A
Scale Weight (Kg)	N.A	N.A

FUEL DATA

 Date: 2018-02-21 Manufacturer: ICC Model: Opel + 3L
 Project #: PI 20161 Run: 5 Tech: MM Reviewer: DD
FUEL DESCRIPTION:

Type of wood:

PRE-TEST LOAD

Piece Size	Weight	Meter Moisture Content (% dry)*				
1 1/2 x 3 1/2 x 11 in.	1222 lbs.	216	20	218	21	219
1 1/2 x 3 1/2 x 11 in.	1224 lbs.	209	20.6	20.3	20.9	20.4
1 1/2 x 3 1/2 x 11 in.	1267 lbs.	209	20.7	20.9	20	21.1
1 1/2 x 3 1/2 x 11 in.	1234 lbs.	209	20.7	20.1	20.0	19.9
1 1/2 x 3 1/2 x 11 in.	1222 lbs.	206	19.5	19.3	19.6	19.4
1 1/2 x 3 1/2 x 11 in.	lbs.					
x x in.	lbs.					
1 1/2 x 3 1/2 x 11 in.	1260 lbs.	206	20.3	20.9	21.1	21.3
1 1/2 x 3 1/2 x 11 in.	1205 lbs.	219	20.5	20.6	20.8	20.8
1 1/2 x 3 1/2 x 11 in.	1211 lbs.	204	20.2	21.1	20.6	20.9
1 1/2 x 3 1/2 x 11 in.	1203 lbs.	213	20.4	20.8	20.7	21.3
1 1/2 x 3 1/2 x 11 in.	1218 lbs.	203	20.7	20.2	20.4	20.6
1 1/2 x 3 1/2 x 11 in.	1185 1182 lbs.	209	20.6	20.6	20.8	20.9
1 1/2 x 3 1/2 x 11 in.	1282 lbs.	207	20.7	20.5	20.8	20.6
1 1/2 x 3 1/2 x 11 in.	1172 lbs.	199	19.6	19.3	19.4	19.8
1 1/2 x 3 1/2 x 11 in.	1153 lbs.	197	19.8	19.4	19.6	19.3
1 1/2 x 3 1/2 x 11 in.	1168 lbs.	200	20.0	20.0	20.1	20.6
1 1/2 x 3 1/2 x 11 in.	1097 lbs.	201	21.6	21.3	21.4	21.6
1 1/2 x 3 1/2 x 11 in.	1210 lbs.	208	21.4	20.6	21.9	21.8
x x in.	lbs.					
x x in.	lbs.					
x x in.	lbs.					
x x in.	lbs.					

 TEST LOAD WEIGHT: 2049 lbs

FUEL DATA

Date: 2018-02-21 Manufacturer: ICL Model: Opel + 30
 Project #: pJ 20/01 Run: 5 Tech: MR Reviewer: DP

FUEL DESCRIPTION:

Type of wood :

TEST LOAD

Piece Size	Weight	Meter Moisture Content (% dry)*				
1 1/2 x 3 1/2 x 15 3/4 in.	1624 lbs.	191	192	196	193	195
1 1/2 x 3 1/2 x 15 3/4 in.	1808 lbs.	205	208	217	207	205
1 1/2 x 3 1/2 x 15 3/4 in.	1818 lbs.	212	216	214	219	213
1 1/2 x 3 1/2 x 15 3/4 in.	1808 lbs.	236	238	234	231	232
3 1/2 x 3 1/2 x 15 3/4 in.	4270 lbs.	223	218	214	219	220
3 1/2 x 3 1/2 x 15 3/4 in.	4248 lbs.	216	219	220	213	214
1 1/2 x 2 1/4 x 5 in.	0094 lbs.			199		
1 1/2 x 2 1/4 x 5 in.	0092 lbs.			193		
1 1/2 x 2 1/4 x 5 in.	0092 lbs.			198		
1 1/2 x 2 1/4 x 5 in.	0084 lbs.			196		
1 1/2 x 2 1/4 x 5 in.	0092 lbs.			192		
1 1/2 x 2 1/4 x 5 in.	0090 lbs.			201		
1 1/2 x 2 1/4 x 5 in.	0086 lbs.			203		
1 1/2 x 2 1/4 x 5 in.	0092 lbs.			204		
1 1/2 x 2 1/4 x 5 in.	0098 lbs.			208		
1 1/2 x 2 1/4 x 5 in.	0090 lbs.			207		
1 1/2 x 2 1/4 x 5 in.	0096 lbs.			201		
1 1/2 x 2 1/4 x 5 in.	0090 lbs.			202		
1 1/2 x 2 1/4 x 5 in.	0098 lbs. mn			193		
1 1/2 x 2 1/4 x 5 in.	0098 lbs. mn			198		
1 1/2 x 2 1/4 x 5 in.	0098 lbs. mn			196		
1 1/2 x 2 1/4 x 5 in.	0096 lbs.			197		
1 1/2 x 2 1/4 x 5 in.	0098 lbs.			199		
1 1/2 x 2 1/4 x 5 in.	0092 lbs.			200		
1 1/2 x 2 1/4 x 5 in.	0100 lbs.			203		
1 1/2 x 2 1/4 x 5 in.	0098 lbs.			204		
1 1/2 x 2 1/4 x 5 in.	0098 lbs.			209		

TEST LOAD WEIGHT: 1782 lbs Min 20%: 357 Max 25%: 446
1784 mm

Date: 2018-06-10 Manufacturer: 12 Model: Open 34
 Project #: PI 20161 Run: 5 Tech: NR Reviewer: NR

		SYSTEM 1 - 1 st hour					SYSTEM 1						
Pre-test Weight Record	Probe & Housing Number	Front Filter Number	Back Filter Number	gaskets	Probe & Housing Number	Front Filter Number	Back Filter Number	gaskets	Probe & Housing Number	Front Filter Number	Back Filter Number	gaskets	Blank
Date	Time	009	55	56	2	38	845	3	3008				
2018-06-10	20:00	614474	01271	01268	355793	1104331	01281	35261	01290				
2018-06-10	10:00	614475	01272	01267	355784	1104332	01281	35260	01291				

		SYSTEM 1 - 1 st hour					SYSTEM 1						
Post-test Weight Record	Probe & Housing Number	Front Filter Number	Back Filter Number	gaskets	Probe & Housing Number	Front Filter Number	Back Filter Number	gaskets	Probe & Housing Number	Front Filter Number	Back Filter Number	gaskets	Blank
Date	Time	009	55	56	2	38	845	3	3008				
2018-06-10	16:00	614480	01271	01272	355799	1104337	01275	35288	01293				
2018-06-26	8:00	614478	01269	01267	355794	1104336	01273	35287	01292				
2018-06-01	8:00	614477	01269	01267	355793	1104336	01273	35285	01292				



DILUTION TUNNEL PARTICULATE SAMPLER DATA

Date: 2018-02-20 Manufacturer: 166 Model: Opt 17 3c
 Project #: PI 20161 Run: 5 Tech: LR Reviewer: DS

SYSTEM 2					
Pre-test Weight Record	Probe & Housing Number	Front Filter Number	Back Filter Number	gaskets	
Date	Time	40	854	856	4
2018-02-20	20:00	110 1088	0 1270	0 1276	35 3214
2018-02-20	10:00	110 1089	0 1271	0 1277	35 3215

SYSTEM 2					
Post-test Weight Record	Probe & Housing Number	Front Filter Number	Back Filter Number	gaskets	
Date	Time	40	854	856	4
2018-02-20	16:00	110 1093	0 1272	0 1279	35 3243
2018-02-20	8:00	110 1093	0 1269	0 1276	35 3229
2018-03-01	8:00	110 1094	0 1270	0 1277	35 3230

Paramètres

Tous les facteurs de corrections et autres paramètres qui peuvent être modifiés par l'utilisateur du fichier sont regroupés ici.

Code verrouillage:

Description du test

Test standard	EPA
Run #	6
Date	22-02-2018
Technicien	M.M
Project #	P 20161

Description de l'unité

Manufacturier	ICC	
Modèle	OPEL+ 3C	
Combustion system	Cat	
Appliance type	FIREPLACE	
Firebox volume	2,32	cu ft.
Appliance weight empty	N.A	lbs
Appliance weight full	N.A	lbs

Paramètres du test

Logging time	1	min
Manufacturer's rated heat output	N.A	BTU/h Donnée fournie par le manufacturier
Targeted category	2	
Targeted output	N.A	BTU/h
Cp steel	N.A	BTU/lb-°F

Échantillonnage

Blank sampling rate	0,20	cuft/min
Internal probe diameter	0,18	in.
Calibration Factor (DGM #1):	0,988	Dimensionless
Equipment number (DGM #1):	EM 178	
Calibration Factor (DGM #2):	0,988	Dimensionless
Equipment number (DGM #2):	EM 179	
Calibration Factor (DGM #3):	0,986	Dimensionless
Equipment number (DGM #3):	EM 070	Dimensionless

Tunnel

Targeted tunnel flow rate	140	scfm
Tunnel diameter	6	in.
Molecular weight	28,78	May be assumed to be 28,78 (EPA) Si B-415 = 29
Pitot tube type	Standard	
Pitot tube coefficient	0,99	Dimensionless

Project nu.	P 20161
Date	22-02-2018
Technicien	M.M

Fuel data

Fuel type	Dimension	
Fuel specie	D. Fir	
HHV		19810,0 kJ/kg
%C		48,7
%H		6,9
%O		43,9
%Ash		0,5
HHV		8519,2 Btu/lb
LHV		7451,0 Btu/lb

Default Fuel Values		
	D. Fir	Oak/Maple
HHV	19 810	19 887
%C	48,73	50
%H	6,87	6,6
%O	43,9	42,9
%Ash	0,5	0,5
HHV (Btu/lb)	8519	8552
LHV (Btu/lb)	7451	7480

	Start	End
Barometer (kPa):	102,9	102,9
Barometer (in.Hg):	30,386359	30,38635856
Dry Bulb (F):	69,8	75,02
Humidity (%):	27,3	22,4
Air velocity (ft/min)	4	3

DGM #1	Final:	22368,291	cuft
	Initial:	22306,646	cuft
DGM #2	Final:	20318,402	cuft
	Initial:	20256,019	cuft
DGM room			

	Final:	633399,440	Liter
	Initial:	631653,850	Liter
	Final:	575353,070	Liter
	Initial:	573586,560	Liter
	Final:	933,720	cuft
	Initial:	903,020	cuft

Numéro de la ligne dans "Raw data" à partir duquel les données du VRAI test commencent

166

Autres données à rentrer: dans preload data, load data, traverse et filter set weight

Project nu.	P 20161
Date	22-02-2018
Technicien	M.M

Tunnel Traverse Worksheet (for velocity calculations)

Static Pressure: 0,37 in. H2O
 Barometer: 29,900 in. Hg

Pour un tunnel de 12" et plus, prendre 6 lectures

	TUNNEL VELOCITY	TUNNEL TEMP	SQUARE ROOT
	In. wc	°F	
A center			0,0000
B center			0,0000
A1			0,0000
A2			0,0000
A3			0,0000
A4			0,0000
A5			0,0000
A6			0,0000
B1			0,0000
B2			0,0000
B3			0,0000
B4			0,0000
B5			0,0000
B6			0,0000
AVERAGE	#DIV/0!	#DIV/0!	0,0000

PITOT CONSTANT=
0,953

Pour un tunnel moins de 12", prendre 4 lectures

	TUNNEL VELOCITY	TUNNEL TEMP	SQUARE ROOT
	In. wc	°F	
A center	0,061	71,75	0,2470
B center	0,060	71,1	0,2449
A1	0,050	71,69	0,2236
A2	0,062	71,54	0,2490
A3	0,053	71,18	0,2302
A4	0,050	71,09	0,2236
B1	0,050	71,180	0,2236
B2	0,059	71,500	0,2429
B3	0,054	71,380	0,2324
B4	0,051	71,480	0,2258
AVERAGE	0,0550	71,3890	0,2343

Project nu.	P 20161
Date	22-02-2018
Technicien	M.M

Filter set weight

	System 1 (g) 1st hour				System 1 (g)				System 2 (g)				Ambient blank (g)	Date	Heure
	probe	front	back	gasket	probe	front	back	gasket	probe	front	back	gasket	Filter		
Number	2	218	219	8	33	220	844	18	50	851	853	19	855		
Before (1)															
Before (2)															
Before (3)															
Before (4)															
Before (5)	61,1004	0,1293	0,1306	34,9149	109,3627	0,1298	0,1291	34,9589	107,6462	0,1304	0,1288	35,0162	0,1271	21/02/2018	17:00
Before (6)	61,1005	0,1294	0,1307	34,9148	109,3626	0,1297	0,1292	34,9588	107,6463	0,1303	0,1287	35,0163	0,1270	22/02/2018	09:00
After (1)	61,1016	0,1288	0,1300	34,9180	109,3640	0,1286	0,1287	34,9610	107,6478	0,1304	0,1277	35,0191	0,1270	22/02/2018	18:00
After (2)	61,1013	0,1288	0,1300	34,9173	109,3634	0,1285	0,1287	34,9609	107,6473	0,1303	0,1277	35,0190	0,1270	26/02/2018	08:00
After (3)	61,1013	0,1288	0,1300	34,9173	109,3634	0,1285	0,1287	34,9609	107,6474	0,1304	0,1277	35,0191	0,1270	01/03/2018	08:00
After (4)															
After (5)															
After (6)	61,1013	0,1288	0,1300	34,9173	109,3634	0,1285	0,1287	34,9609	107,6474	0,1304	0,1277	35,0191	0,1270	01/03/2018	08:00
Difference	0,0008	-0,0006	-0,0007	0,0025	0,0008	-0,0012	-0,0005	0,0021	0,0011	0,0001	-0,0010	0,0028	0,0000		
Total (mg)		2				3,2				3			0		
Total ajusté (mg)		2,00				3,20				3,00					

Project nu.	P 20161
Date	22-02-2018
Technicien	M.M

SFBA EPA EMISSION RESULTS

RESULTS

Average emission rate: 0,5 g/hr

Burn Rate : 1,140 Dry kg/hr

Test Duration: 350 min

PRESSURE FACTOR: DGM 1 0,98922
 DGM 2 0,98915
 DGM 3 1,01559

BAROMETRIC PRESSURE
 Average: 30,386359 in Hg
 Start: 30,386359 in Hg
 End: 30,386359 in Hg

TEMPERATURE FACTORS DGM 1 0,98766
 DGM 2 0,98766
 DGM 3 0,98647

DGM CONTROLLER VALUES

DGM 1 Final: 22368,291 Cuft
 Initial: 22306,646 Cuft

VOLUMES SAMPLED DGM 1 59,498 Scft
 DGM 2 60,240 Scft
 DGM 3 30,338 Scft

DGM 2 Final: 20318,402 Cuft
 Initial: 20256,019 Cuft

DGM #3 Final: 933,720 Cuft
 Initial: 903,020 Cuft

TOTAL TUNNEL VOLUME : 61310

TEMPERATURES

DGM 1 534,596 °R
 DGM 2 534,598 °R

SAMPLE RATIOS
 Sample Train 1: 1030,458
 Sample Train 2: 1017,761

CALIBRATION FACTORS

DGM 1 0,9879
 DGM 2 0,9884
 DGM #3 0,9864

Paticulate concentration
 Sample Train 1 **0,000054** g/dscf
 Sample Train 2 **0,000050** g/dscf
 Room **0,000000** g/dscf

TUNNEL FLOW RATE: 175,171 Dscfm

TOTAL EMISSIONS
 Sample Train 1 **3,30** g
 Sample Train 2 **3,05** g

PARTICULATE CATCH
 Total Sample Train 1: 3,20 mg
 Total Sample Train 2: 3,00 mg
 Total Sample Train 1 1st hour: 2,00 mg

EMISSION RATES
 Sample Train 1 **0,57** g/hr
 Sample Train 2 **0,52** g/hr

1st hour emission rate **2,06** g/hr

DEVIATION: 3,84%

Cs Train 1 Train 2
 5,378E-05 4,98008E-05

Elapsed Time min	Raw data row	Weight Remaining lbs	CO %	CO ₂ %	O ₂ %	Flue Gas %	Room Temp °F	Tunnel Dry Bulb °F	Unit Top		Unit Back		Unit R.Side		Unit L.Side		Unit Bottom		Catalyst Down	Catalyst Center	Catalyst Up
									°F	°F	°F	°F	°F	°F	°F	°F	°F	°F	°F	°F	°F
0.00	166.00	17.7	0.0	9.3	386.7	509.5	70.5	178.8	480.7	399.8	318.1	367.2	367.6	435.5	0.0	498.0	0.0	498.0	0.0	498.0	
1.0	167.0	17.4	0.2	8.8	387.4	501.8	70.3	147.7	475.0	403.0	320.4	368.4	370.3	550.3	0.0	468.2	0.0	468.2	0.0	468.2	
2.0	168.0	17.4	0.1	4.1	388.1	520.4	71.0	15.2	456.1	407.4	322.8	368.6	372.7	943.0	0.0	943.0	0.0	943.0	0.0	943.0	
3.0	169.0	16.8	0.3	7.6	389.0	641.2	69.9	165.0	465.5	411.3	325.1	368.7	374.7	1129.7	0.0	981.0	0.0	981.0	0.0	981.0	
4.0	170.0	16.6	0.1	11.8	389.9	640.4	70.6	143.5	464.0	413.6	326.6	368.6	376.6	1123.5	0.0	988.0	0.0	988.0	0.0	988.0	
5.0	171.0	16.4	0.0	11.7	391.0	614.4	70.3	124.6	465.3	415.2	327.4	369.1	378.0	1121.2	0.0	868.2	0.0	868.2	0.0	868.2	
6.0	172.0	16.3	0.0	10.4	392.0	577.0	70.6	112.2	468.0	415.3	327.7	369.3	379.6	1041.8	0.0	800.8	0.0	800.8	0.0	800.8	
7.0	173.0	16.2	0.0	9.6	392.7	559.2	70.5	107.4	471.1	415.2	328.0	368.6	380.7	1017.7	0.0	748.5	0.0	748.5	0.0	748.5	
8.0	174.0	16.1	0.0	7.3	393.2	549.3	70.4	104.8	473.3	414.2	327.9	368.8	381.8	987.6	0.0	715.1	0.0	715.1	0.0	715.1	
9.0	175.0	16.1	0.0	6.5	393.1	541.6	71.7	102.5	474.2	412.2	328.1	368.4	382.7	968.2	0.0	693.2	0.0	693.2	0.0	693.2	
10.0	176.0	16.0	0.0	6.2	392.4	534.8	72.1	101.5	474.0	410.6	327.2	367.3	383.6	954.2	0.0	676.5	0.0	676.5	0.0	676.5	
11.0	177.0	15.9	0.0	5.9	391.1	528.6	72.0	100.1	472.5	406.8	326.2	365.9	384.1	942.5	0.0	664.7	0.0	664.7	0.0	664.7	
12.0	178.0	15.9	0.0	5.8	389.6	524.1	71.7	99.5	470.0	404.2	325.5	363.9	384.3	929.5	0.0	655.6	0.0	655.6	0.0	655.6	
13.0	179.0	15.8	0.0	5.9	388.0	517.9	71.7	98.8	467.1	401.6	324.4	362.1	384.5	920.9	0.0	648.3	0.0	648.3	0.0	648.3	
14.0	180.0	15.7	0.0	6.0	385.8	513.1	71.6	98.4	463.9	397.7	322.9	359.6	384.9	916.2	0.0	643.4	0.0	643.4	0.0	643.4	
15.0	181.0	15.7	0.0	6.2	383.5	508.5	71.9	98.2	460.5	394.0	321.3	357.1	384.8	909.3	0.0	644.8	0.0	644.8	0.0	644.8	
16.0	182.0	15.6	0.0	6.6	381.3	504.6	72.1	98.2	457.1	390.8	319.7	354.6	384.4	900.9	0.0	658.6	0.0	658.6	0.0	658.6	
17.0	183.0	15.5	0.0	7.5	379.0	501.6	71.9	98.3	453.6	387.2	317.6	352.3	384.4	919.0	0.0	693.7	0.0	693.7	0.0	693.7	
18.0	184.0	15.4	0.0	8.6	376.7	500.4	71.8	97.4	450.6	383.6	315.7	349.7	383.9	943.7	0.0	736.2	0.0	736.2	0.0	736.2	
19.0	185.0	15.3	0.0	9.3	374.8	498.9	71.6	97.0	447.4	380.7	314.2	347.3	383.3	950.2	0.0	750.2	0.0	750.2	0.0	750.2	
20.0	186.0	15.2	0.0	9.2	372.8	497.4	71.7	96.9	445.1	377.5	312.6	344.9	382.9	957.3	0.0	737.5	0.0	737.5	0.0	737.5	
21.0	187.0	15.1	0.0	9.4	370.9	496.9	71.7	97.2	444.3	375.0	310.5	342.7	382.1	974.3	0.0	755.1	0.0	755.1	0.0	755.1	
22.0	188.0	15.1	0.0	10.1	369.4	496.6	72.0	96.5	442.9	372.2	309.1	340.9	381.7	989.6	0.0	764.8	0.0	764.8	0.0	764.8	
23.0	189.0	15.0	0.0	10.5	367.7	496.5	71.9	95.3	441.8	369.6	307.4	338.5	381.0	1002.6	0.0	775.7	0.0	775.7	0.0	775.7	
24.0	190.0	14.8	0.0	11.0	366.2	496.1	72.1	96.1	441.2	367.0	306.0	336.5	380.2	1021.5	0.0	779.6	0.0	779.6	0.0	779.6	
25.0	191.0	14.7	0.0	11.8	364.8	497.5	72.0	96.2	440.8	364.7	304.3	334.5	379.5	1049.8	0.0	779.9	0.0	779.9	0.0	779.9	
26.0	192.0	14.6	0.0	12.3	363.6	497.9	72.0	95.9	440.9	362.4	303.3	332.6	378.7	1061.7	0.0	787.0	0.0	787.0	0.0	787.0	
27.0	193.0	14.5	0.0	12.5	362.5	498.8	71.7	95.9	440.3	360.6	302.1	330.8	377.8	1065.3	0.0	790.1	0.0	790.1	0.0	790.1	
28.0	194.0	14.4	0.0	12.7	361.6	500.3	72.3	96.0	441.8	359.0	301.2	329.1	376.8	1073.5	0.0	799.8	0.0	799.8	0.0	799.8	
29.0	195.0	14.3	0.0	13.1	360.8	501.4	72.7	95.7	442.6	357.6	300.4	327.5	376.1	1083.2	0.0	813.7	0.0	813.7	0.0	813.7	
30.0	196.0	14.2	0.0	13.7	360.0	502.7	72.6	96.7	443.6	356.1	299.3	326.0	375.3	1105.3	0.0	835.6	0.0	835.6	0.0	835.6	
31.0	197.0	14.1	0.1	14.5	359.4	505.6	72.5	96.2	444.9	355.1	298.1	324.6	374.3	1128.3	0.0	858.5	0.0	858.5	0.0	858.5	
32.0	198.0	14.0	0.1	15.0	358.9	507.9	72.9	96.5	446.8	353.8	297.1	323.2	373.7	1150.7	0.0	881.0	0.0	881.0	0.0	881.0	
33.0	199.0	13.9	0.2	15.5	358.6	510.3	73.1	96.8	449.1	352.8	296.4	322.1	372.8	1171.8	0.0	898.8	0.0	898.8	0.0	898.8	
34.0	200.0	13.7	0.4	15.9	358.5	513.1	73.1	96.5	452.0	351.9	295.7	320.8	372.0	1187.9	0.0	918.1	0.0	918.1	0.0	918.1	
35.0	201.0	13.6	0.5	16.2	358.3	516.4	73.3	96.4	455.1	351.1	294.7	319.5	371.1	1200.9	0.0	931.2	0.0	931.2	0.0	931.2	
36.0	202.0	13.4	0.8	16.4	358.4	519.7	73.3	96.9	458.5	350.6	294.0	318.7	370.3	1211.7	0.0	946.9	0.0	946.9	0.0	946.9	
37.0	203.0	13.3	1.3	16.7	358.6	522.2	73.3	96.7	462.1	350.0	293.7	317.7	369.6	1178.5	0.0	1173.5	0.0	1173.5	0.0	1173.5	
38.0	204.0	13.2	2.1	16.7	358.9	524.6	73.7	96.8	466.2	349.3	293.4	316.9	368.7	1170.8	0.0	1237.6	0.0	1237.6	0.0	1237.6	
39.0	205.0	13.1	2.0	16.7	359.4	527.5	73.4	96.7	470.5	349.3	293.4	316.0	367.7	1174.7	0.0	1241.5	0.0	1241.5	0.0	1241.5	
40.0	206.0	13.0	1.3	16.8	359.9	529.9	73.3	96.4	475.0	348.7	293.1	315.3	367.1	1181.2	0.0	1213.0	0.0	1213.0	0.0	1213.0	
41.0	207.0	12.8	2.7	16.5	360.3	530.6	73.4	96.4	479.3	348.3	293.0	314.7	366.3	1186.4	0.0	1157.1	0.0	1157.1	0.0	1157.1	
42.0	208.0	12.7	1.9	16.1	360.7	532.4	73.5	96.2	483.7	347.7	292.9	313.9	365.6	1175.7	0.0	1118.8	0.0	1118.8	0.0	1118.8	
43.0	209.0	12.6	1.1	15.6	361.0	535.2	73.7	97.1	487.5	346.7	292.5	313.2	365.0	1185.2	0.0	1074.6	0.0	1074.6	0.0	1074.6	
44.0	210.0	12.5	0.7	15.9	361.2	535.1	74.1	96.9	491.1	345.5	292.1	312.7	364.4	1170.0	0.0	1073.8	0.0	1073.8	0.0	1073.8	
45.0	211.0	12.4	0.2	15.9	361.4	536.8	74.2	96.5	495.8	344.6	291.9	312.0	363.5	1077.2	0.0	1077.2	0.0	1077.2	0.0	1077.2	
46.0	212.0	12.3	0.5	15.5	361.4	537.7	74.2	96.6	497.1	343.7	291.8	312.0	362.7	1159.3	0.0	1109.6	0.0	1109.6	0.0	1109.6	
47.0	213.0	12.2	0.4	15.0	361.5	538.1	74.2	96.2	499.4	342.9	291.7	311.4	362.1	1161.3	0.0	1069.6	0.0	1069.6	0.0	1069.6	
48.0	214.0	12.1	0.3	14.6	361.4	538.7	74.1	96.2	501.4	341.9	291.3	310.8	361.6	1164.7	0.0	1063.7	0.0	1063.7	0.0	1063.7	
49.0	215.0	12.0	0.3	14.9	361.3	538.5	74.4	96.9	502.9	341.3	291.2	310.2	360.9	1157.3	0.0	1043.6	0.0	1043.6	0.0	1043.6	
50.0	216.0	11.9	0.5	15.7	361.1	539.1	74.5	96.7	504.1	340.2	291.1	309.7	360.5	1160.3	0.0	1000.0	0.0	1000.0	0.0	1000.0	
51.0	217.0	11.8	0.8	16.0	360.9	540.5	74.8	96.7	505.0	339.4	291.0	309.3	360.0	1152.2	0.0	980.4	0.0	980.4	0.0	980.4	
52.0	218.0	11.7	0.3	16.2	360.7	540.4	74.6	97.2	505.7	338.6	291.1	308.6	359.6	1148.7	0.0	1042.3	0.0	1042.3	0.0	1042.3	
53.0	219.0	11.6	0.4	16.2	360.5	540.8	74.3	96.5	506.1	337.9	291.3	308.1	359.2	1103.3	0.0	1229.5	0.0	1229.5	0.0	1229.5	
54.0	220.0	11.4	0.4	13.7	360.3	540.8	75.1	96.6	506.3	337.0	291.9	307.7	358.8	1083.1	0.0	1204.8	0.0	1204.8	0.0	1204.8	
55.0	221.0	11.4	0.4	13.3	360.1	539.2	74.7	96.3	505.8	336.2	292.5	307.6	358.4	1069.5	0.0	1177.7	0.0	1177.7	0.0	1177.7	
56.0	222.0	11.3	0.2	12.4	359.8	536.6	74.5	96.6	505.2	335.4	293.5	307.1	358.0	1057.2	0.0	1143.9	0.0	1143.9	0.0	1143.9	
57.0	223.0	11.2	0.1	11.7	359.5	534.6	74.5	96.1	504.3	334.8	294.4	306.5	357.7	1050.9	0.0	1101.6	0.0	1101.6	0.0	1101.6	
58.0	224.0	11.2	0.1	11.0	359.2	531.8	74.5	96.2	503.4	334.2	294.8</										

126.0	292.0	5,8	0,5	15,4	372,6	536,0	76,3	95,6	520,4	374,0	321,9	313,4	333,0	1110,9	0,0	1326,1
127.0	293.0	5,7	0,5	15,2	373,5	535,3	76,4	95,7	520,6	376,4	323,2	314,1	333,1	1111,8	0,0	1165,9
128.0	294.0	5,7	0,3	15,2	374,3	534,3	76,3	95,8	520,8	378,5	324,1	315,0	333,1	1133,9	0,0	1076,2
129.0	295.0	5,6	0,2	14,5	375,1	534,2	76,1	95,4	520,8	380,4	325,3	315,8	332,9	1135,6	0,0	1017,9
130.0	295.0	5,6	0,2	14,2	375,9	533,7	76,1	95,3	521,6	382,8	326,5	316,9	332,9	1125,5	0,0	984,5
131.0	297.0	5,5	0,1	14,0	376,7	532,9	75,9	94,8	519,8	385,0	328,3	317,8	332,6	1115,1	0,0	959,9
132.0	298.0	5,4	0,1	13,9	377,1	531,8	76,1	95,6	518,9	386,8	328,5	318,4	332,8	1105,9	0,0	949,4
133.0	299.0	5,4	0,1	13,8	377,3	530,4	76,3	95,7	517,4	388,7	328,7	319,0	333,0	1100,2	0,0	934,3
134.0	300.0	5,3	0,1	13,9	377,7	528,6	76,4	96,0	515,6	391,0	329,5	319,5	332,7	1098,7	0,0	929,5
135.0	301.0	5,2	0,1	13,9	378,0	527,9	76,2	96,2	513,5	393,4	330,4	320,0	332,8	1092,5	0,0	932,7
136.0	302.0	5,2	0,2	14,0	378,5	526,1	76,5	95,8	511,6	395,9	331,2	321,1	332,9	1089,9	0,0	939,3
137.0	303.0	5,1	0,1	14,0	378,9	525,4	76,4	95,6	509,5	398,3	332,1	321,6	332,8	1089,4	0,0	935,0
138.0	304.0	5,1	0,1	14,1	379,4	523,1	76,7	95,5	507,7	401,0	332,7	322,6	332,8	1084,2	0,0	927,0
139.0	305.0	5,0	0,1	14,1	380,1	522,8	76,5	95,4	505,9	404,3	334,1	323,5	332,5	1086,0	0,0	931,1
140.0	306.0	4,9	0,1	14,1	380,6	521,1	76,3	95,9	504,4	406,7	335,1	324,0	332,7	1084,1	0,0	930,7
141.0	307.0	4,9	0,1	14,1	381,2	520,0	76,5	95,2	502,9	409,4	335,8	324,9	333,0	1078,7	0,0	920,4
142.0	308.0	4,8	0,1	13,8	381,8	518,9	76,4	96,1	501,3	412,5	336,5	325,6	332,9	1068,3	0,0	912,4
143.0	309.0	4,7	0,1	13,6	382,2	517,7	76,5	95,6	499,8	414,8	337,0	326,3	333,1	1057,3	0,0	907,0
144.0	310.0	4,7	0,1	13,3	382,8	515,5	76,6	95,1	498,1	417,6	338,0	327,5	332,9	1044,7	0,0	904,6
145.0	311.0	4,6	0,1	13,2	383,2	513,4	76,7	95,5	496,3	420,3	338,5	328,1	333,1	1033,2	0,0	899,4
146.0	312.0	4,5	0,0	13,1	383,7	511,6	76,6	95,1	494,4	423,0	339,4	328,8	333,1	1027,7	0,0	896,8
147.0	313.0	4,5	0,0	13,1	384,2	510,5	76,9	95,1	492,5	425,5	340,2	329,5	333,1	1022,9	0,0	893,6
148.0	314.0	4,5	0,0	13,0	384,8	508,7	76,4	95,2	490,6	428,2	341,5	330,5	333,0	1018,4	0,0	893,2
149.0	315.0	4,4	0,0	13,1	385,0	507,1	76,6	95,4	488,8	430,3	341,8	331,1	333,1	1019,3	0,0	895,6
150.0	316.0	4,4	0,0	13,1	385,5	505,6	76,6	95,1	487,1	432,5	342,6	332,0	333,4	1015,8	0,0	895,1
151.0	317.0	4,4	0,0	13,1	385,8	504,2	76,7	95,1	485,4	434,3	343,2	332,8	333,3	1011,5	0,0	885,4
152.0	318.0	4,3	0,0	12,8	386,0	502,3	76,8	94,9	483,8	435,8	343,6	333,5	333,4	1004,6	0,0	879,3
153.0	319.0	4,2	0,0	12,5	386,7	500,5	76,7	94,4	482,3	437,8	345,2	335,1	333,0	1000,2	0,0	871,2
154.0	320.0	4,2	0,0	12,3	386,8	498,6	76,9	94,2	480,6	439,0	345,6	335,5	333,3	985,8	0,0	858,6
155.0	321.0	4,2	0,0	12,0	387,1	497,1	76,7	94,1	478,9	440,8	346,5	336,5	333,3	976,1	0,0	853,3
156.0	322.0	4,1	0,0	11,9	387,3	494,6	76,8	94,3	476,8	441,8	347,0	337,2	333,6	969,2	0,0	847,1
157.0	323.0	4,1	0,0	11,9	387,4	492,0	77,0	94,7	474,9	442,9	347,3	338,1	333,9	961,5	0,0	841,0
158.0	324.0	4,1	0,0	11,7	387,6	490,6	76,7	94,3	472,7	444,3	348,4	338,8	333,8	955,0	0,0	835,6
159.0	325.0	4,0	0,0	11,7	387,7	488,0	76,8	94,1	470,6	445,0	349,1	339,6	334,0	948,2	0,0	826,4
160.0	326.0	4,0	0,0	11,6	387,7	486,1	76,8	93,7	468,3	446,2	349,7	340,2	334,1	943,6	0,0	819,4
161.0	327.0	4,0	0,0	11,5	387,8	483,2	76,7	94,0	465,9	447,7	350,3	340,9	334,2	934,8	0,0	809,5
162.0	328.0	3,9	0,0	11,3	387,9	480,7	76,9	93,5	463,7	448,8	350,7	341,8	334,4	923,7	0,0	797,7
163.0	329.0	3,9	0,0	11,0	388,1	478,9	76,7	93,2	461,2	450,3	351,6	342,6	334,5	907,5	0,0	787,7
164.0	330.0	3,9	0,0	10,8	388,3	476,2	76,6	93,0	458,7	451,8	352,7	343,8	334,6	890,9	0,0	783,3
165.0	331.0	3,9	0,0	10,7	388,4	472,8	76,3	93,1	456,0	453,1	353,4	344,4	334,9	878,9	0,0	777,9
166.0	332.0	3,8	0,0	10,7	388,4	470,3	76,4	93,1	453,1	454,3	354,2	345,1	335,2	868,1	0,0	775,9
167.0	333.0	3,8	0,0	10,7	388,4	467,7	76,8	93,1	450,4	455,7	354,6	345,7	335,6	861,1	0,0	774,8
168.0	334.0	3,8	0,0	10,7	388,4	465,2	76,5	92,9	447,6	457,1	355,5	346,1	335,6	859,1	0,0	769,6
169.0	335.0	3,7	0,0	10,6	388,5	462,8	76,6	92,4	444,7	458,6	356,3	346,9	335,8	857,2	0,0	766,5
170.0	336.0	3,7	0,0	10,6	388,4	459,7	76,7	92,5	442,1	459,2	356,9	347,7	336,0	852,0	0,0	765,1
171.0	337.0	3,7	0,0	10,6	388,3	458,0	76,8	92,6	439,5	460,6	357,2	348,1	336,3	848,7	0,0	764,5
172.0	338.0	3,6	0,0	10,6	388,5	455,7	76,8	92,6	437,0	462,0	358,4	348,4	336,4	842,4	0,0	764,4
173.0	339.0	3,6	0,0	10,6	388,6	453,6	76,8	93,0	434,6	462,7	358,3	350,2	337,0	843,0	0,0	763,8
174.0	340.0	3,6	0,0	10,6	388,7	451,2	76,5	92,5	432,4	463,8	359,3	350,8	337,1	842,3	0,0	761,7
175.0	341.0	3,6	0,0	10,6	388,7	449,6	76,8	92,2	430,4	464,6	359,9	351,2	337,4	838,0	0,0	762,3
176.0	342.0	3,5	0,0	10,6	388,7	447,5	76,9	92,2	428,4	464,9	360,4	351,8	337,9	835,8	0,0	760,9
177.0	343.0	3,5	0,0	10,6	388,7	445,5	77,1	91,9	426,5	465,4	361,0	352,6	338,0	834,7	0,0	761,6
178.0	344.0	3,5	0,0	10,6	389,0	443,7	76,6	92,2	424,7	466,6	362,0	353,4	338,2	833,3	0,0	745,6
179.0	345.0	3,5	0,0	10,4	389,0	442,3	76,7	91,8	422,9	467,1	362,5	353,6	338,8	830,2	0,0	748,4
180.0	346.0	3,5	0,0	10,3	389,1	440,9	76,6	91,7	421,2	467,8	363,2	354,4	338,8	830,1	0,0	740,9
181.0	347.0	3,4	0,0	10,3	389,0	439,3	76,3	91,9	419,6	467,8	363,5	354,8	339,3	830,4	0,0	739,5
182.0	348.0	3,4	0,0	10,3	389,0	437,6	76,7	92,0	418,2	467,8	363,9	355,4	339,7	830,3	0,0	738,6
183.0	349.0	3,4	0,0	10,2	388,9	435,5	76,8	91,6	416,7	467,7	364,2	355,8	340,1	828,4	0,0	739,9
184.0	350.0	3,4	0,0	10,2	388,8	434,1	76,9	91,4	415,3	467,4	364,8	356,0	340,4	827,4	0,0	738,8
185.0	351.0	3,3	0,0	10,2	388,7	432,8	76,8	91,6	414,0	467,2	365,4	356,3	340,7	826,7	0,0	737,7
186.0	352.0	3,3	0,0	10,3	388,6	431,6	76,6	91,1	412,7	467,1	366,0	356,3	341,2	825,8	0,0	736,6
187.0	353.0	3,3	0,0	10,2	388,8	430,1	76,3	90,8	411,6	467,1	367,1	356,8	341,4	823,7	0,0	736,1
188.0	354.0	3,2	0,0	10,2	388,9	428,9	76,9	91,5	410,2	467,9	367,7	357,0	341,8	823,7	0,0	732,7
189.0	355.0	3,2	0,0	10,1	388,2	428,6	76,7	90,9	409,4	465,1	367,8	356,6	342,3	818,0	0,0	732,7
190.0	356.0	3,2	0,0	10,1	388,1	426,8	76,9	91,0	408,3	464,5	368,2	356,8	342,7	816,4	0,0	734,0
191.0	357.0	3,2	0,0	10,2	388,0	424,7	76,7	91,2	407,3	463,7	368,6	356,9	343,3	814,6	0,0	731,7
192.0	358.0	3,2	0,0	10,2	387,9	425,1	76,6	90,6	406,3	463,0	369,3	357,3	343,7	813,1	0,0	733,0
193.0	359.0	3,1	0,0	10,2	387,9	424,4	76,9	90,3	405,3	462,7	370,1	357,2	344,1	811,8	0,0	731,5
194.0	360.0	3,1	0,0	10,2	387,6	423,1	76,4	90,8	404,3	461,8	370,3	357,4	344,4	809,5	0,0	731,5
195.0	361.0	3,1	0,0	10,2	387,4	422,0	76,6	91,0	403,3	461,1	370,3	357,4	344,9	807,6	0,0	731,3
196.0	362.0	3,1	0,0	10,2	387,2	421,1	76,8	91,2	402,3	460,6	370,1	358,0	345,2	806,5	0,0	731,4
197.0	363.0	3,1	0,0	10,3	387,0	419,9	76,4	90,9	401,5	459,9	370,5	357,7	345,7	805,1	0,0	730,9
198.0	364.0	3,0	0,0	10,3	386,9	419,1	76,4	90,8	400,5	459,2	370,5	358,1	346,3	802,4	0,0	731,4
199.0	365.0	3,0	0,0	10,3	386,7	418,7	76,6	90,8	399,6	458,4	370,8	358,3	3			

255,0	421,0	1,8	0,0	10,3	380,4	387,1	75,4	88,3	374,7	430,7	358,3	373,0	365,0	757,5	0,0	692,4
256,0	422,0	1,8	0,0	10,2	379,8	386,5	75,6	88,1	374,0	429,2	357,5	372,6	365,6	757,2	0,0	692,9
257,0	423,0	1,8	0,0	10,2	379,2	386,5	75,7	88,3	373,4	427,6	356,8	372,2	366,2	756,7	0,0	690,3
258,0	424,0	1,8	0,0	10,1	378,7	386,6	76,2	88,1	372,7	425,4	356,4	372,0	366,8	758,7	0,0	689,3
259,0	425,0	1,7	0,0	10,1	378,4	384,9	75,4	88,1	372,2	424,1	356,4	371,9	367,4	758,8	0,0	689,2
260,0	426,0	1,7	0,0	10,1	377,9	384,6	75,5	87,8	371,8	422,1	356,1	371,5	368,2	762,1	0,0	687,9
261,0	427,0	1,7	0,0	10,1	377,7	383,7	75,5	87,5	371,4	420,5	355,9	371,3	369,1	761,5	0,0	687,3
262,0	428,0	1,6	0,0	10,1	377,3	383,0	75,3	87,4	371,0	418,9	355,5	371,1	370,2	760,2	0,0	686,2
263,0	429,0	1,7	0,0	10,0	377,1	383,1	75,3	87,4	370,7	417,4	355,3	370,9	371,1	759,6	0,0	686,4
264,0	430,0	1,7	0,0	10,1	376,7	383,0	75,8	87,1	370,4	415,9	354,9	370,1	372,0	757,7	0,0	685,7
265,0	431,0	1,6	0,0	10,1	376,3	383,5	75,6	88,0	370,0	413,9	354,3	369,8	373,2	756,3	0,0	684,0
266,0	432,0	1,6	0,0	10,0	376,2	382,5	75,3	87,4	369,5	412,9	354,5	369,7	374,3	757,0	0,0	682,8
267,0	433,0	1,6	0,0	10,0	376,1	381,5	75,7	87,1	369,2	411,9	354,3	369,8	375,2	756,8	0,0	683,9
268,0	434,0	1,5	0,0	10,0	375,7	381,7	75,8	87,9	368,8	410,2	353,7	369,2	376,4	755,5	0,0	685,9
269,0	435,0	1,5	0,0	10,1	375,6	380,7	75,4	87,6	368,4	409,0	353,4	369,5	377,7	754,5	0,0	688,6
270,0	436,0	1,5	0,0	10,1	375,4	380,3	75,4	87,5	368,1	407,7	353,0	369,3	378,8	753,4	0,0	688,5
271,0	437,0	1,5	0,0	10,1	375,5	380,8	75,1	86,7	367,8	406,6	353,5	369,8	379,9	753,6	0,0	686,6
272,0	438,0	1,5	0,0	10,1	375,2	380,1	75,4	87,4	367,7	405,3	352,5	369,2	381,4	756,2	0,0	687,0
273,0	439,0	1,5	0,0	10,1	375,1	379,7	75,5	86,9	367,5	404,0	352,3	369,5	382,4	757,4	0,0	686,7
274,0	440,0	1,4	0,0	10,1	375,1	379,6	75,4	87,3	367,3	403,4	351,7	369,6	383,6	759,3	0,0	687,5
275,0	441,0	1,4	0,0	10,1	374,9	379,8	75,5	87,3	367,1	402,0	351,3	369,0	385,1	761,4	0,0	689,1
276,0	442,0	1,4	0,0	10,2	374,8	379,8	75,3	87,0	367,0	401,3	350,8	368,8	385,9	761,0	0,0	689,3
277,0	443,0	1,4	0,0	10,1	374,6	378,7	75,4	87,4	366,8	400,3	350,5	368,5	386,9	761,5	0,0	690,0
278,0	444,0	1,3	0,0	10,1	374,5	378,5	75,3	87,0	366,7	399,4	350,5	368,3	387,8	761,6	0,0	690,3
279,0	445,0	1,3	0,0	10,0	374,8	377,9	75,5	86,8	366,6	399,3	350,5	368,6	388,9	762,2	0,0	689,6
280,0	446,0	1,3	0,0	10,0	374,6	377,8	75,4	86,6	366,5	398,0	350,0	368,4	389,9	763,8	0,0	692,5
281,0	447,0	1,3	0,0	10,1	374,7	378,2	74,9	86,8	366,5	397,5	350,4	368,6	390,7	766,6	0,0	692,9
282,0	448,0	1,2	0,0	10,1	374,6	377,9	75,3	86,6	366,4	396,4	349,4	368,7	392,0	766,2	0,0	692,1
283,0	449,0	1,3	0,0	10,1	374,5	376,9	75,3	86,7	366,3	395,6	349,0	368,6	393,1	768,0	0,0	691,2
284,0	450,0	1,2	0,0	10,1	374,5	376,8	75,0	86,7	366,4	395,2	348,6	368,4	394,1	769,9	0,0	691,7
285,0	451,0	1,2	0,0	10,0	374,6	376,0	75,2	86,5	366,4	394,6	348,5	368,4	395,0	770,6	0,0	694,9
286,0	452,0	1,2	0,0	10,2	374,5	376,2	75,4	86,7	366,4	393,3	347,9	368,5	396,2	772,1	0,0	694,6
287,0	453,0	1,1	0,0	10,0	374,5	375,6	75,1	86,4	366,5	393,0	347,8	368,2	397,2	772,2	0,0	693,5
288,0	454,0	1,1	0,0	10,0	374,6	375,5	75,0	86,9	366,5	392,7	347,6	368,1	398,1	772,4	0,0	693,4
289,0	455,0	1,1	0,0	10,1	374,6	375,4	75,2	86,7	366,6	392,1	347,3	368,1	399,1	773,6	0,0	694,3
290,0	456,0	1,1	0,0	10,1	374,7	376,2	75,3	86,6	366,7	391,6	347,4	367,9	400,1	776,5	0,0	696,2
291,0	457,0	1,1	0,0	10,1	374,7	375,3	75,2	87,1	366,8	391,0	347,0	367,8	401,1	777,7	0,0	693,1
292,0	458,0	1,1	0,0	10,0	374,8	374,8	75,3	87,2	366,9	390,4	346,5	367,8	402,1	772,3	0,0	687,9
293,0	459,0	1,0	0,0	9,9	375,0	374,8	75,0	86,5	367,0	390,2	347,0	367,9	402,7	769,2	0,0	684,7
294,0	460,0	1,0	0,0	9,8	374,9	373,9	75,2	86,9	366,8	389,4	346,4	367,8	403,9	769,1	0,0	684,4
295,0	461,0	1,0	0,0	9,8	375,2	374,2	74,7	86,0	366,7	389,1	347,3	368,3	404,7	769,3	0,0	683,5
296,0	462,0	1,0	0,0	9,7	375,0	373,7	74,9	86,4	366,6	388,3	346,4	367,9	405,8	769,4	0,0	682,4
297,0	463,0	1,0	0,0	9,7	375,1	373,7	74,6	86,3	366,4	388,0	346,6	368,1	406,2	768,8	0,0	679,5
298,0	464,0	1,0	0,0	9,6	374,9	375,1	75,0	86,7	366,3	387,4	346,1	367,6	406,9	768,5	0,0	678,9
299,0	465,0	0,9	0,0	9,8	375,1	373,5	74,7	85,9	366,2	387,1	346,6	367,9	407,6	761,4	0,0	669,7
300,0	466,0	0,9	0,0	9,4	375,0	372,6	74,4	86,0	365,9	386,7	346,3	367,7	408,4	752,1	0,0	665,7
301,0	467,0	0,9	0,0	9,4	375,0	372,2	74,7	85,9	365,8	386,1	346,4	367,8	409,1	750,4	0,0	663,5
302,0	468,0	0,9	0,0	9,3	374,7	372,4	74,7	86,4	365,0	385,3	345,9	367,6	409,9	749,0	0,0	664,4
303,0	469,0	0,8	0,0	9,3	374,4	372,4	74,7	86,4	364,4	384,6	345,1	367,0	410,6	748,3	0,0	666,5
304,0	470,0	0,8	0,0	9,4	374,1	371,7	74,7	86,0	364,0	383,7	344,5	366,8	411,4	747,6	0,0	667,0
305,0	471,0	0,8	0,0	9,4	373,7	371,3	74,7	86,1	363,4	382,8	343,8	366,4	412,1	746,8	0,0	668,3
306,0	472,0	0,8	0,0	9,5	373,4	369,6	75,1	86,2	362,9	382,1	343,0	366,2	412,9	745,4	0,0	669,3
307,0	473,0	0,8	0,0	9,6	373,1	369,8	75,0	86,1	362,5	381,1	342,5	366,1	413,5	741,9	0,0	673,0
308,0	474,0	0,7	0,0	9,7	372,8	368,9	75,2	86,8	361,9	380,0	341,7	366,0	414,2	736,6	0,0	674,7
309,0	475,0	0,8	0,0	9,6	372,6	368,5	75,4	86,6	361,4	379,4	341,0	366,3	414,9	732,2	0,0	677,6
310,0	476,0	0,7	0,0	9,7	372,4	368,1	75,1	86,9	360,9	378,6	340,4	366,7	415,6	729,0	0,0	678,6
311,0	477,0	0,7	0,0	9,6	372,3	367,7	75,2	87,0	360,3	377,5	339,7	367,5	416,5	727,4	0,0	678,8
312,0	478,0	0,7	0,0	9,6	372,3	367,1	75,1	86,4	359,8	376,6	339,3	368,7	417,4	726,3	0,0	679,2
313,0	479,0	0,7	0,0	9,6	372,1	366,2	74,8	86,5	359,3	375,4	338,2	369,4	418,1	726,9	0,0	681,1
314,0	480,0	0,7	0,0	9,6	372,0	366,3	75,0	86,4	358,7	374,6	337,6	370,2	418,9	729,3	0,0	683,8
315,0	481,0	0,6	0,0	9,7	371,9	366,5	74,9	87,1	358,3	373,8	336,7	371,0	419,7	731,2	0,0	685,1
316,0	482,0	0,6	0,0	9,7	371,8	366,6	74,9	86,6	358,0	372,5	335,7	372,4	420,4	733,1	0,0	685,4
317,0	483,0	0,6	0,0	9,7	371,8	365,5	74,9	86,7	357,6	371,5	335,0	373,7	421,3	735,4	0,0	686,8
318,0	484,0	0,5	0,0	9,7	372,1	365,0	74,7	85,9	357,4	370,8	334,6	375,6	421,9	736,8	0,0	686,9
319,0	485,0	0,5	0,0	9,7	372,1	366,2	74,8	86,2	357,2	369,7	333,7	377,0	422,7	740,0	0,0	688,0
320,0	486,0	0,5	0,0	9,7	372,1	364,9	74,6	85,8	356,9	368,9	333,0	378,3	423,5	739,5	0,0	681,9
321,0	487,0	0,5	0,0	9,5	372,2	364,6	74,7	85,6	356,9	367,8	332,3	379,6	424,4	735,0	0,0	677,3
322,0	488,0	0,5	0,0	9,2	372,2	364,1	74,7	85,8	356,6	366,6	331,6	380,9	425,2	734,0	0,0	677,4
323,0	489,0	0,5	0,0	9,2	372,2	362,8	74,5	86,1	356,3	366,3	330,9	382,0	425,7	734,7	0,0	681,1
324,0	490,0	0,5	0,0	9,1	372,2	363,5	74,4	85,8	355,9	365,2	330,0	382,9	426,7	736,3	0,0	682,7
325,0	491,0	0,4	0,0	9,1	372,2	362,8	74,5	85,4	355,6	364,5	329,5	383,9	427,4	736,7	0,0	683,9
326,0	492,0	0,4	0,0	9,1	372,2	361,8	74,2	85,3	355,4	363,7	329,0	384,8	428,2	737,3	0,0	682,3
327,0	493,0	0,4	0,0	9,0	372,0	361,3	74,0	85,7	355,2	362,6	328,1	384,8	429,1	736,4	0,0	681,7
328,0	494,0	0,4	0,0	9,1	371,9	361,0	74,1	85,0	355,0	361,9	327,5	385,3	429,7	737,3	0,0	680,3
329,0	495,0	0,4	0,0													

Manufacturer: ICC
 Model: OPEL+ 3C

Run: 6
 Project #: P 20161
 Test Duration: 350 min

	HHV	LHV
Eff	74,68%	80,71%
Comb Eff	99,19%	99,19%
HT Eff	75,29%	81,38%
Output	16 865	kJ/h
Burn Rate	1,14	kg/h
Grams CO	91	g
Input	22 583	kJ/h
MC wet	17,38	

Note: In the "Input data", "Calc. % O₂", "Fuel Properties", and "Mass Balance" columns, [e], [d], [g], [a], [b], [c], [h], [u], [w], [j], and [k] refer to their respective variables in Clauses 13.7.3

Ultimate CO₂
 CO_{2-ut} 19,64
 F_o
 1,063

Overall Heating Efficiency: 74,68%
 Combustion Efficiency: 99,19%
 Heat Transfer Efficiency: 75,29%

Air Fuel Ratio (A/F)	
Dry Molecular Weight (M _d)	30,18
Dry Moles Exhaust Gas (N _r):	342,48
Air Fuel Ratio (A/F)	9,82

Heat Output:	15 998 Btu/h	16 865 kJ/h
Heat Input:	21 422 Btu/h	22 583 kJ/h
Burn Duration:	5,83 h	
Burn Rate:	2,51 lb/h	1,140 kg/h
Stack Temp:	451,8 Deg. F	233,2 Deg. C

Date: 2018-02-22 Manufacturer: ICE Model: Opel 32
 Project #: PJ 2011 Run: 6 Tech: MM Reviewer: JP

- Warm up + kindling 700 LBS START FINE	
- Fan off	
- Bypass open	
- Dumper 90°	
- At 65 LBS c lose Dook	
At 50 LBS c lose bypass	
At 12 LBS hshld pre load	
At 143 LBS c lose Dook	
At 1400 LBS c lose bypass	
At 1200 LBS c lose air inld	
At 38 LBS hshld load	
- test At 0 min c lose bypass	
At 3 min c lose	
At 5 min c lose air inld	
At 6 min c lose Dumper 10°	
TEST LOAD CONFIGURATION	
3 trax overland dms c lapul cotk	

PRE / POST CHECKS

 Date: 2018-02-22 Manufacturer: ICL Model: Opel + 3c
 Project #: PT 20161 Run: 6 Tech: MR Reviewer: DP

Moisture Meter Calibration Check:

Equipment #	Time	12%	22%
EM-191	7:00	ok	ok

Pre-Test

Post-Test

Facility Conditions:

Air Velocity from less than 2 feet

	4 (max 50 Fpm)	3 (max 50 Fpm)
	ok	ok
4 sides	ok	ok

Smoke Capture Check.....

Picture.....

Wood Heater Conditions:

Date Wood Heater Stack Cleaned.....

2018-02-14

Date Dilution Tunnel Cleaned.....

2018-02-14

Induced Draft Check (max 0.005 H2O).....

ok

Traverse before ignition.....

ok

Flow Rate 140 cfm ±10%.....

ok

Temperature System:

Ambient (65°-90°F).....

ok °F

Wood Heater Surface (±125°F).....

ok °F

Proportional Checks:

Thermocouple check.....

ok

Pitot Clean.....

ok

Pitot verification.....

ok

Sampling Train ID Numbers:

Probe.....

Train 1 st hour	Train 1	Train 2
02	33	50
218	220	851
219	844	853
h	h	12
ok	ok	ok

Filter Front.....

Filter Back.....

Filter Thermocouple.....

Filter (<90°F).....

SAMPLING EQUIPMENT CHECK OUT

 Date: 2018-02-22

 Manufacturer: ICL

 Model: OPC/1+3c

 Project #: PJ 20161

 Run: 6

 Tech: MR

 Reviewer: D

Leakage Checks Tunnel Samplers

	System 1 st hour		System 1		System 2	
	Pre-Test ASTM (-15) CSA B415 (-5)	Post-Test (max test)	Pre-Test ASTM (-15) CSA B415 (-5)	Post-Test (Max test)	Pre-Test ASTM (-15) CSA B415 (-5)	Post-Test (Max test)
Vacuum (inches Hg.)	-15	-15	-15	-15	-15	-15
Final 1minute DGM (Liter)	631563.16	632400.35	631653.56	633400.48	573585.00	573354.0
Initial 1minute DGM (Liter)	631563.16	633400.36	631653.55	633400.46	573585.00	573354.0
Change © (Liter)	∅	0.03	0.01	0.02	∅	∅
Allowable leakage .04 x Sample rate or 0.28Lpm CSA B415 (0.56)						
Check OK	ok	ok	ok	ok	ok	ok

Leakage Checks Flue Gas Sampler

Plugged Probe	Pre Test	Post Test
Vacuum (inches Hg.)	-5	-5
Rotometer Reading (mml/min.)	0	0
Flow Rate (lpm)	1.5	1.5
Allowable (.02 x Sample Rate)	30	30
Check OK	ok	ok

Leakage Checks Pitot

Plugged Probe	Pre Test 3 H ₂ O static	Pre Test 0.4-0.5 H ₂ O velocity	Post Test 3 H ₂ O Static	Post Test 0.4-0.5 H ₂ O velocity
Vacuum (inches Hg.)	3	-5	3	.4
Check OK (no change after 15 sec.)	ok	ok	ok	ok

Date: 2018-02-22 Manufacturer: ICC Model: Opel + 3c
 Project #: PI 2-161 Run: G Tech: MM Reviewer: DP

Scale Type	Audit		Measured Weight
	Equipment #	Weight	
Platform	<u>EM-090</u>	<u>44</u> lbs, Class F	<u>44</u> lbs
Wood	<u>EM-090</u>	<u>44</u> lbs, Class F	<u>44</u> lbs
Analytical	<u>EM-124</u>	<u>100</u> mg, Class S	<u>100</u> mg
Analytical	<u>EM-124</u>	<u>200</u> g, Class S	<u>200</u> g

LIMITS OF WEIGHT RANGES

ANALYTICAL SCALE: 50%-150% of dry filter weight, ± 0.1 mg
PLATFORM SCALE: 20%-80% of ideal test load weight, ± 0.1 lbs or 1%
WOOD SCALE: 20%-80% of ideal test load weight, ± 0.01 lbs or 1%

Date: 2018 02-22

 Manufacturer: ICC

 Model: Opel + 3c

 Project #: PT 2-161

 Run: 6

 Tech: MM

 Reviewer: DP
FOR TUNNELS < 12 in

 Barometric pressure (P_{bar}) 102.9 (KPa.)

 Static pressure (P_s) 637 (inches w.c.)

Inside diameter: Port A _____ Port B _____

 Tunnel cross sectional area: .1963Ft²

Pitot tube type: Standard

Traverse Point	Position (inches)			Velocity Head Δ_p (inches H ₂ O)	Tunnel Temperature (°F)
	6 po	7 po	8 po		
A - Centroid	3.00	3.50	4	0.061	71.75
B - Centroid	3.00	3.50	4	0.060	71.10
A-1	0.40	0.50	0.50	0.050	71.69
A-2	1.50	1.75	2	0.062	71.54
A-3	4.50	5.25	6	0.053	71.18
A-4	5.60	6.5	7.5	0.050	71.09
B-1	0.40	0.50	0.50	0.050	71.18
B-2	1.50	1.75	2	0.057	71.50
B-3	4.50	5.25	6	0.054	71.38
B-4	5.60	6.5	7.5	0.051	71.48
				AVERAGE	

$$v_s = K_p C_p (\sqrt{\Delta p})_{avg} \sqrt{\frac{(T_s)_{avg}}{P_s M_s}}$$

Where,

 C_p = pitot tube coefficient, dimension less = 0.99 for standard pitot.

 Δ_p = manometer reading (inches H₂O)

 T_s = average absolute dilution tunnel temperature (°F + 460)

 P_s = absolute dilution tunnel gas pressure or $P_{bar} + P_{sg}$
 P_0 = static pressure in. H₂O
 { 13.6 }

 M_s = 28.56, wet molecular weight of stack gas (alternatively, it may be measured)

 K_p = 85.49 pitot tube constant, (conversion factor for English units)

 Δ_p avg. = average of the square roots of the velocity heads (Δ_p) measured at each traverse point.

CONTINUOUS ANALYZERS

Date: 2018-02-22 Manufacturer: ICL Model: OPCL 3C
 Project #: PL 2.161 Run: 6 Tech: MM Reviewer: DP

Pre-Test (Adjust and Record)

	ZERO		SPAN		CAL. (Record Only)	
	Actual	Should Be	Actual	Should Be	Actual	Should Be
CO	0	0	2995	3000	1001	1000
Tolerance CO		+/- 0.02		+/- 0.15		+/- 0.05
CO ₂	0	0	1295	1800	973	1000
Tolerance CO ₂		+/- 0.02		+/- 0.5		+/- 0.5
O ₂ informative CSA B415 calculated value	na	na	na	na	na	na
	Actual	Should Be	Actual	Should Be	Actual	Should Be

Post Test (Record Only)

	Zero	Span	Cal.	Zero Drift	Limit	Span Drift	Limit	Cal. Drift	Limit	OK?	Not OK*
CO	0.001	2996	1005	0.001	0.02	0.001	0.15	0.004	0.05	✓	
CO ₂	0.00	1298	974	0	0.02	0.07	0.5	0.01	0.5	✓	

Date: 2018-02-22 Manufacturer: ICL Model: opelt 3c
 Project #: p7 20161- Run: 6 Tech: MA Reviewer: DP

RAW DRY GAS METER READINGS

	System 1	System 2	Blank
Final (Liter)	633399.44	575353.07	933.72
Initial (Liter)	631653.85	573586.56	903.02

AMBIENT CONDITIONS

	Before	After
Barometer (kPa):	102.9	102.9
Dry Bulb (F):	69.80	75.02
Humidity (%):	22.3	22.4

Flow Meter

	Start	End
Flow meter reading	N/A	N/A

Flow Meter Verification

	Before	After
Flow meter Check (liters)	N/A	N/A
Scale Weight (Kg)	N/A	N/A

FUEL DATA

Date: 2018-02-22 Manufacturer: ICL Model: Opel + 3C
 Project #: p1 2011 Run: 6 Tech: MM Reviewer: DP

FUEL DESCRIPTION:

Type of wood:

PRE-TEST LOAD

Piece Size	Weight	Meter Moisture Content (% dry)*				
1 1/2 x 3 1/2 x 11 in.	1080 lbs.	20.1	20.6	20.9	20.7	20.3
1 1/2 x 3 1/2 x 11 in.	1152 lbs.	20.8	20.7	20.5	20.3	20.1
1 1/2 x 3 1/2 x 11 in.	1326 lbs.	19.9	19.6	19.3	19.4	19.8
1 1/2 x 3 1/2 x 11 in.	1362 lbs.	19.6	19.8	19.9	19.7	19.7
x x in.	lbs.					
1 1/2 x 3 1/2 x 5 in.	0950 lbs.	20.6	20.2	20.9	20.8	21.0
1 1/2 x 3 1/2 x 5 in.	1070 lbs.	21.1	21.3	21.8	21.3	21.4
1 1/2 x 3 1/2 x 5 in.	1096 lbs.	20.0	20.1	19.9	19.7	19.3
1 1/2 x 3 1/2 x 5 in.	1192 lbs.	19.3	19.5	19.6	19.3	19.4
1 1/2 x 3 1/2 x 5 in.	1270 lbs.	20.7	20.6	20.4	20.3	20.9
1 1/2 x 3 1/2 x 5 in.	1140 lbs.	21.4	21.8	21.5	21.6	21.8
1 1/2 x 3 1/2 x 5 in.	1180 lbs.	20.9	20.9	20.4	20.3	20.2
1 1/2 x 3 1/2 x 5 in.	1108 lbs.	19.9	19.3	20.4	20.8	20.4
1 1/2 x 3 1/2 x 5 in.	1108 lbs.	19.9	20.1	20.2	20.5	20.5
1 1/2 x 3 1/2 x 5 in.	1392 lbs.	22.7	22.3	22.3	22.4	22.5
1 1/2 x 3 1/2 x 5 in.	1350 lbs.	21.8	21.4	21.3	21.7	21.2
1 1/2 x 3 1/2 x 5 in.	1230 lbs.	20.8	20.9	20.9	20.5	20.5
x x in.	lbs.					
x x in.	lbs.					
x x in.	lbs.					
x x in.	lbs.					
x x in.	lbs.					
x x in.	lbs.					

TEST LOAD WEIGHT: 1891 lbs

FUEL DATA

Date: 2015-02-22 Manufacturer: icu Model: Opel 3L
 Project #: pj 2/161 Run: 6 Tech: Mr Reviewer: NP

FUEL DESCRIPTION:

Type of wood :

TEST LOAD

Piece Size		Weight	Meter Moisture Content (% dry)*				
1 1/2	x 3 1/2 x 15 1/2 in.	1714 lbs.	209	203	209	206	202
1 1/2	x 3 1/2 x 15 1/2 in.	1798 lbs.	238	239	239	237	238
1 1/2	x 3 1/2 x 15 1/2 in.	1660 lbs.	191	192	193	192	194
1 1/2	x 3 1/2 x 15 1/2 in.	1794 lbs.	203	200	204	208	207
3 1/2	x 3 1/2 x 15 1/2 in.	4748 lbs.	213	215	213	216	212
3 1/2	x 3 1/2 x 15 1/2 in.	3920 lbs.	201	20	200	202	203
1 1/2	x 3/4 x 5 in.	0082 lbs.			193		
1 1/2	x 3/4 x 5 in.	0080 lbs.			196		
1 1/2	x 3/4 x 5 in.	0080 lbs.			199		
1 1/2	x 3/4 x 5 in.	0084 lbs.			201		
1 1/2	x 3/4 x 5 in.	0108 lbs.			203		
1 1/2	x 3/4 x 5 in.	0082 lbs.			204		
1 1/2	x 3/4 x 5 in.	0098 lbs.			208		
1 1/2	x 3/4 x 5 in.	0082 lbs.			209		
1 1/2	x 3/4 x 5 in.	0082 lbs.			205		
1 1/2	x 3/4 x 5 in.	0098 lbs.			208		
1 1/2	x 3/4 x 5 in.	0092 lbs.			205		
1 1/2	x 3/4 x 5 in.	0090 lbs.			199		
1 1/2	x 3/4 x 5 in.	0092 lbs.			194		
1 1/2	x 3/4 x 5 in.	0086 lbs.			193		
1 1/2	x 3/4 x 5 in.	0092 lbs.			192		
1 1/2	x 3/4 x 5 in.	0086 lbs.			194		
1 1/2	x 3/4 x 5 in.	0090 lbs.			198		
1 1/2	x 3/4 x 5 in.	0086 lbs.			196		
1 1/2	x 3/4 x 5 in.	0088 lbs.			199		
1 1/2	x 3/4 x 5 in.	0088 lbs.			193		
1 1/2	x 3/4 x 5 in.	0084 lbs.			201		

TEST LOAD WEIGHT: _____ lbs Min 20%: _____ Max 25%: _____

Date: 2018-02-21 Manufacturer: 1CC Model: OPC/t 3C
 Project #: PT 20161 Run: 6 Tech: MM Reviewer: DP

Pre-test Weight Record		SYSTEM 1 - 1 st hour						SYSTEM 1						
Date	Time	Probe & Housing Number	Front Filter Number	Back Filter Number	gaskets	Probe & Housing Number	Front Filter Number	Back Filter Number	gaskets	Probe & Housing Number	Front Filter Number	Back Filter Number	gaskets	Blank
		002	218	219	8	33	220	844	18					855
2018-02-21	17:00	61604	01293	01306	349179	1093643	01298	01291	349585					01271
2018-02-22	9:00	61605	01294	01307	349178	1093644 1093644	01297	01292	349588					01270

Post-test Weight Record		SYSTEM 1 - 1 st hour						SYSTEM 1						
Date	Time	Probe & Housing Number	Front Filter Number	Back Filter Number	gaskets	Probe & Housing Number	Front Filter Number	Back Filter Number	gaskets	Probe & Housing Number	Front Filter Number	Back Filter Number	gaskets	Blank
		002	218	219	8	33	220	844	18					855
2018-02-21	18:00	61606	01288	01300	349180	1093640	01286	01287	349610					01270
2018-02-26	9:00	61603	01288	01300	349173	1093634	01285	01287	349609					01270
2018-03-01	8:00	61603	01288	01300	349173	1093634	01285	01287	349609					01270



DILUTION TUNNEL PARTICULATE SAMPLER DATA

Date: 2/18/2017
 Project #: PI 20161
 Run: 6
 Manufacturer: LCC
 Tech: M.M.
 Reviewer: DP
 Model: ope/t 3c

SYSTEM 2					
Pre-test Weight Record	Probe & Housing Number	Front Filter Number	Back Filter Number	gaskets	
Date	50	851	853	19	
2015-01-21	1076462	01304	01288	350162	
2015-01-22	1076463	01303	01287	350163 350163	

SYSTEM 2					
Post-test Weight Record	Probe & Housing Number	Front Filter Number	Back Filter Number	gaskets	
Date	50	851	853	19	
2015-01-22	1076478	01304	01277	350191	
2015-02-20	1076473	01303	01277	350190	
2015-03-01	1076474	01304	01277	350191	

APPENDIX 2: Proportionality results

Average	Average	Average						Average
15,74	Inlet +	Inlet +						0,244
	Outlet	Outlet	Average	Average	#1	#2		
Tunnel	Temp.	Temp.	100,15	100,28	System 1	System 2		SQRT
Velocity	Meter 1	Meter 2	Proportional Rates		Vol.Std.	Vol.Std.		Delta-P
			PR1	PR2			Time	
Ft/Sec	Deg. R	Deg. R	%	%	(ft3)	(ft3)	min	(in H2O)2
15,784	534,0	533,7			0,174	0,173	0	0,2246308
15,611	534,0	533,7	114,64	113,91	0,173	0,174	1	0,2284363
15,373	533,9	533,7	114,54	116,09	0,170	0,173	2	0,2234986
15,367	533,9	533,7	118,69	119,54	0,169	0,173	3	0,2207587
15,905	533,8	533,7	113,28	112,14	0,171	0,173	4	0,2318655
15,706	533,8	533,7	111,16	108,68	0,173	0,173	5	0,2337037
15,689	533,8	533,7	106,75	105,96	0,173	0,173	6	0,2373433
15,534	533,9	533,8	107,25	105,00	0,173	0,173	7	0,2362927
15,611	533,8	533,8	104,91	104,36	0,173	0,173	8	0,2382172
15,482	533,8	533,8	106,38	104,33	0,173	0,173	9	0,2367229
15,499	533,8	533,8	106,39	103,67	0,174	0,172	10	0,2373644
15,375	533,7	533,8	104,37	105,51	0,172	0,173	11	0,2356484
15,363	533,7	533,8	106,81	104,40	0,172	0,173	12	0,2356492
15,695	533,7	533,8	102,23	103,05	0,172	0,173	13	0,2407588
15,471	533,7	533,8	104,64	104,18	0,171	0,173	14	0,2373645
15,537	533,7	533,8	102,85	103,32	0,171	0,173	15	0,238856
15,799	533,7	533,8	100,90	101,75	0,170	0,173	16	0,2428574
15,728	533,7	533,8	101,49	102,24	0,170	0,173	17	0,2418102
15,787	533,7	533,8	100,84	101,52	0,170	0,173	18	0,2428572
15,878	533,7	533,8	102,07	100,83	0,171	0,173	19	0,2443146
15,803	533,7	533,8	102,34	101,28	0,173	0,173	20	0,2432742
15,630	533,7	533,8	103,21	102,21	0,173	0,173	21	0,2407601
15,575	533,7	533,8	103,73	102,53	0,173	0,173	22	0,2399518
15,961	533,8	533,9	100,36	100,49	0,172	0,173	23	0,2457642
15,834	533,9	533,9	102,39	100,46	0,172	0,173	24	0,2438993
15,859	533,9	533,9	101,23	100,58	0,173	0,172	25	0,2443147
15,948	533,9	533,9	100,09	100,35	0,171	0,173	26	0,2457638
15,849	533,9	533,9	101,18	100,38	0,171	0,173	27	0,2443148
15,886	533,9	533,9	100,15	100,43	0,171	0,173	28	0,2449837
15,967	533,9	533,9	100,85	99,59	0,172	0,173	29	0,2463826
15,870	533,9	533,9	101,15	100,37	0,173	0,173	30	0,2449365
15,637	533,9	534,0	102,17	101,84	0,172	0,173	31	0,2413905
15,886	533,9	534,0	99,24	100,93	0,170	0,174	32	0,2450105
15,829	534,0	534,0	101,63	100,75	0,171	0,174	33	0,2443148
15,926	534,0	534,0	99,20	100,33	0,171	0,173	34	0,2457643
15,893	534,0	534,0	99,39	100,37	0,170	0,174	35	0,2453513
15,860	534,0	534,1	99,37	100,44	0,170	0,173	36	0,2449419
15,856	534,0	534,1	99,59	100,54	0,170	0,173	37	0,2449366
15,786	534,0	534,0	101,95	100,52	0,171	0,173	38	0,2438992
15,849	533,9	534,0	99,27	100,51	0,171	0,173	39	0,2449364
15,940	533,9	534,0	98,83	100,05	0,169	0,174	40	0,2463826
15,583	534,0	534,1	102,90	102,20	0,171	0,174	41	0,2407573
15,852	534,0	534,1	100,42	100,23	0,172	0,173	42	0,2449366
15,950	534,1	534,1	100,37	99,41	0,172	0,173	43	0,2463828
15,907	534,1	534,2	100,15	100,08	0,172	0,173	44	0,2457634
15,948	534,1	534,2	100,45	99,63	0,172	0,173	45	0,2463837
15,815	534,1	534,2	100,21	100,54	0,171	0,173	46	0,2443145
15,878	534,0	534,1	98,98	100,34	0,170	0,173	47	0,2453508
15,741	534,0	534,1	101,41	100,87	0,170	0,173	48	0,2432759
15,872	534,0	534,1	98,78	100,47	0,170	0,173	49	0,2453511
15,773	533,9	534,0	100,42	100,41	0,170	0,173	50	0,243899
15,852	534,0	534,1	98,90	100,68	0,170	0,173	51	0,2449363
16,010	534,0	534,1	100,39	99,17	0,171	0,173	52	0,2474096
15,944	534,1	534,1	98,60	99,67	0,171	0,173	53	0,2463822

15,847	534,2	534,2	99,59	100,26	0,170	0,173	54	0,2449357
15,933	534,2	534,2	98,68	99,90	0,170	0,173	55	0,2463825
15,773	534,2	534,2	99,47	101,16	0,169	0,174	56	0,2438992
15,867	534,2	534,2	101,13	99,55	0,171	0,173	57	0,2453508
15,864	534,1	534,2	100,92	99,54	0,173	0,172	58	0,2453515
15,733	534,1	534,2	101,25	100,64	0,172	0,173	59	0,2432766
15,897	534,1	534,2	98,49	100,20	0,170	0,173	60	0,2457635
15,853	534,1	534,2	98,99	100,52	0,169	0,174	61	0,244936
15,809	534,2	534,2	99,20	100,76	0,169	0,174	62	0,2443148
15,904	534,2	534,3	98,43	100,06	0,169	0,173	63	0,2457636
15,871	534,3	534,3	98,43	100,08	0,168	0,173	64	0,2453509
15,837	534,3	534,3	100,05	100,06	0,170	0,173	65	0,2449377
15,838	534,2	534,3	99,29	100,09	0,170	0,173	66	0,2449371
15,796	534,2	534,3	101,39	100,22	0,171	0,173	67	0,2443147
15,859	534,2	534,3	100,71	100,04	0,172	0,173	68	0,2453511
15,853	534,1	534,2	98,80	100,52	0,171	0,174	69	0,2453512
15,758	534,1	534,2	99,40	101,00	0,169	0,174	70	0,2438998
15,858	534,2	534,3	100,71	99,89	0,171	0,173	71	0,2453506
15,849	534,2	534,3	98,50	100,17	0,170	0,173	72	0,2453229
15,835	534,3	534,3	98,87	100,43	0,169	0,174	73	0,2449368
15,865	534,3	534,3	100,96	99,88	0,171	0,173	74	0,2453516
15,788	534,3	534,3	99,00	100,85	0,171	0,173	75	0,2443153
15,697	534,3	534,3	101,53	100,32	0,170	0,173	76	0,242858
15,856	534,3	534,3	100,06	100,03	0,172	0,173	77	0,2453514
15,850	534,2	534,3	98,85	100,11	0,170	0,173	78	0,2453513
15,759	534,2	534,3	101,64	100,45	0,171	0,173	79	0,2439
15,757	534,2	534,2	100,31	100,47	0,172	0,173	80	0,2438999
15,922	534,2	534,3	100,68	99,25	0,172	0,173	81	0,2463839
15,860	534,3	534,3	100,16	99,55	0,172	0,173	82	0,2453511
15,897	534,3	534,4	100,26	99,83	0,171	0,173	83	0,2457644
15,935	534,4	534,4	100,89	99,40	0,172	0,173	84	0,2463835
15,937	534,4	534,4	100,36	99,31	0,173	0,173	85	0,2463835
15,871	534,4	534,4	98,72	100,02	0,171	0,173	86	0,2453516
15,843	534,3	534,4	99,21	100,13	0,169	0,173	87	0,2449372
15,865	534,3	534,4	98,99	99,94	0,169	0,173	88	0,2453513
15,795	534,3	534,4	99,26	100,41	0,169	0,173	89	0,2443152
15,863	534,3	534,4	99,74	99,71	0,170	0,173	90	0,2453518
15,799	534,3	534,4	100,62	100,10	0,171	0,173	91	0,2443149
15,733	534,4	534,4	99,62	101,04	0,170	0,173	92	0,2432745
15,809	534,5	534,5	101,57	100,53	0,171	0,173	93	0,2443155
15,872	534,5	534,5	99,38	99,78	0,171	0,173	94	0,2453522
15,842	534,5	534,5	100,45	99,54	0,171	0,172	95	0,2449375
15,707	534,5	534,5	99,49	101,32	0,170	0,173	96	0,2428586
15,796	534,5	534,5	99,11	100,52	0,169	0,173	97	0,2443156
15,600	534,5	534,5	101,08	101,03	0,169	0,173	98	0,241392
15,990	534,4	534,5	99,76	99,10	0,171	0,173	99	0,2474105
15,788	534,4	534,5	98,52	100,64	0,170	0,173	100	0,2443156
15,759	534,4	534,5	100,92	100,74	0,170	0,174	101	0,2439009
15,881	534,4	534,5	98,85	99,53	0,171	0,173	102	0,2457649
15,796	534,4	534,5	101,22	100,12	0,171	0,173	103	0,2443158
15,838	534,5	534,5	100,98	100,17	0,172	0,173	104	0,2449375
15,930	534,5	534,6	100,33	99,72	0,172	0,173	105	0,2463838
15,800	534,6	534,6	100,93	100,75	0,172	0,174	106	0,2443396
15,922	534,6	534,6	98,15	99,73	0,170	0,174	107	0,2462833
15,766	534,5	534,6	99,54	100,53	0,169	0,173	108	0,2439011
15,602	534,5	534,6	102,36	101,32	0,171	0,173	109	0,2413927
15,858	534,5	534,6	100,60	99,97	0,172	0,173	110	0,2453523
15,855	534,5	534,6	100,67	99,61	0,172	0,173	111	0,2453522
15,786	534,5	534,6	100,99	100,48	0,172	0,173	112	0,2443164
15,921	534,5	534,6	98,65	99,12	0,171	0,173	113	0,2463848
15,885	534,5	534,6	100,36	100,00	0,171	0,173	114	0,2457654

15,890	534,6	534,7	100,94	99,92	0,172	0,173	115	0,2457658
15,837	534,6	534,7	99,19	100,64	0,171	0,174	116	0,2449381
15,701	534,6	534,7	99,30	100,97	0,169	0,173	117	0,2428591
15,699	534,6	534,7	99,57	101,40	0,168	0,173	118	0,2428589
15,830	534,6	534,7	100,68	100,29	0,170	0,174	119	0,2449381
15,857	534,6	534,7	100,80	99,64	0,172	0,173	120	0,2453522
15,857	534,6	534,7	100,95	100,14	0,173	0,173	121	0,2453526
15,853	534,5	534,6	100,51	99,83	0,172	0,173	122	0,2453528
15,826	534,5	534,6	100,66	99,93	0,172	0,173	123	0,2449377
15,720	534,5	534,6	99,08	100,87	0,170	0,173	124	0,2432755
15,604	534,6	534,6	101,40	102,18	0,169	0,174	125	0,2413917
15,764	534,6	534,7	100,18	100,86	0,170	0,174	126	0,2439011
15,728	534,7	534,7	101,69	100,70	0,171	0,173	127	0,2432761
15,769	534,7	534,7	99,71	99,84	0,171	0,172	128	0,2439018
15,859	534,7	534,7	100,87	100,08	0,171	0,173	129	0,2453525
15,697	534,7	534,7	102,09	100,86	0,173	0,173	130	0,2428589
15,695	534,7	534,7	101,52	100,86	0,172	0,173	131	0,2428587
15,827	534,6	534,7	99,36	99,59	0,171	0,173	132	0,2449379
15,757	534,6	534,7	99,04	100,17	0,169	0,172	133	0,2439023
15,756	534,6	534,7	99,34	100,61	0,169	0,173	134	0,2439014
15,847	534,5	534,6	98,50	100,12	0,169	0,173	135	0,2453528
15,852	534,6	534,7	100,69	99,75	0,170	0,173	136	0,2453524
15,786	534,7	534,7	101,20	100,29	0,172	0,173	137	0,2443421
15,630	534,8	534,8	101,53	101,14	0,172	0,173	138	0,2418116
15,767	534,8	534,8	99,71	100,04	0,170	0,172	139	0,2439007
15,858	534,8	534,8	98,52	100,15	0,169	0,173	140	0,2453527
15,787	534,7	534,8	99,32	100,59	0,169	0,173	141	0,2443165
15,855	534,7	534,8	100,93	100,13	0,171	0,173	142	0,2453527
15,823	534,7	534,8	98,63	100,17	0,171	0,173	143	0,2449383
15,842	534,7	534,8	98,15	99,80	0,168	0,173	144	0,2452498
15,786	534,7	534,8	100,08	100,55	0,169	0,173	145	0,2443159
15,714	534,7	534,8	100,14	100,79	0,170	0,173	146	0,2432763
15,780	534,6	534,7	100,36	100,51	0,171	0,173	147	0,2443162
15,620	534,7	534,8	101,73	101,68	0,171	0,174	148	0,2418119
15,759	534,8	534,9	99,12	100,03	0,170	0,173	149	0,243901
15,857	534,8	534,9	99,37	99,97	0,169	0,173	150	0,2453525
15,881	534,8	534,9	97,95	99,75	0,169	0,173	151	0,2457655
15,880	534,8	534,9	98,54	99,97	0,168	0,173	152	0,2457648
15,853	534,8	534,9	100,97	100,05	0,171	0,173	153	0,2453523
15,822	534,8	534,9	101,15	100,06	0,173	0,173	154	0,2449378
15,498	534,8	534,9	102,96	102,06	0,173	0,173	155	0,2399162
15,845	534,7	534,8	98,39	100,00	0,170	0,173	156	0,2453528
15,779	534,7	534,8	101,09	100,38	0,170	0,173	157	0,2443161
15,780	534,7	534,8	99,28	99,96	0,171	0,173	158	0,2443156
15,910	534,7	534,8	97,82	99,10	0,169	0,173	159	0,2463841
15,785	534,8	534,9	99,36	99,91	0,169	0,172	160	0,2443157
15,720	534,8	534,9	101,68	100,95	0,171	0,173	161	0,2432753
15,853	534,9	535,0	98,37	99,81	0,170	0,173	162	0,2453524
15,852	534,9	535,0	98,48	99,74	0,168	0,173	163	0,2453526
15,712	534,9	535,0	101,49	100,72	0,170	0,173	164	0,2432759
15,755	534,9	535,0	101,49	100,48	0,172	0,173	165	0,2439023
15,778	534,8	535,0	101,40	100,26	0,173	0,173	166	0,2443162
15,870	534,8	534,9	100,30	99,79	0,172	0,173	167	0,245765
15,710	534,8	534,9	99,47	100,23	0,170	0,173	168	0,2432759
15,606	534,8	534,9	101,28	101,33	0,170	0,173	169	0,2418123
15,771	534,8	534,9	100,36	100,48	0,171	0,173	170	0,2443167
15,772	534,8	534,9	101,30	100,64	0,172	0,174	171	0,2443164
15,683	534,8	534,9	101,51	101,05	0,172	0,174	172	0,2428587
15,866	534,9	535,0	98,85	99,42	0,171	0,173	173	0,2457658
15,869	534,9	535,0	99,36	99,57	0,170	0,173	174	0,2457128
15,843	534,9	535,0	100,79	100,14	0,171	0,173	175	0,2453521

15,840	534,9	535,0	100,87	99,90	0,173	0,173	176	0,2453523
15,840	534,9	535,0	98,22	99,20	0,170	0,173	177	0,2453526
15,676	534,9	535,0	100,54	100,49	0,169	0,172	178	0,242859
15,740	534,8	534,9	100,64	100,49	0,171	0,173	179	0,2439011
15,739	534,8	534,9	101,16	100,62	0,172	0,173	180	0,2439012
15,897	534,9	534,9	97,75	99,01	0,170	0,173	181	0,2463845
15,855	534,8	534,9	99,36	99,24	0,169	0,173	182	0,2457654
15,850	534,8	534,9	100,13	99,87	0,171	0,173	183	0,2457654
15,770	534,8	535,0	98,70	99,57	0,170	0,173	184	0,2443165
15,833	534,9	535,0	100,39	99,71	0,170	0,172	185	0,2453783
15,852	534,9	535,0	100,10	99,61	0,172	0,173	186	0,2457656
15,799	535,0	535,1	100,70	99,83	0,172	0,173	187	0,2449385
15,854	535,0	535,0	99,79	99,72	0,172	0,173	188	0,2457657
15,734	534,9	535,0	101,39	100,73	0,172	0,174	189	0,2439008
15,853	534,9	535,0	99,26	99,61	0,172	0,173	190	0,2457653
15,726	534,9	535,0	98,71	99,98	0,169	0,173	191	0,2439015
15,883	534,9	535,0	99,68	99,49	0,170	0,173	192	0,2463845
15,683	534,8	535,0	101,29	100,70	0,172	0,173	193	0,243276
15,681	534,8	534,9	99,22	100,27	0,170	0,173	194	0,243276
15,719	534,8	534,9	98,93	100,31	0,169	0,173	195	0,2439009
15,743	534,8	534,9	100,62	100,01	0,170	0,173	196	0,2443164
15,795	534,8	535,0	100,21	99,92	0,172	0,173	197	0,2449382
15,843	534,9	535,0	100,54	99,83	0,172	0,173	198	0,2457655
15,589	534,9	535,0	99,94	100,86	0,171	0,173	199	0,2418119
15,725	534,9	535,0	98,67	99,79	0,169	0,172	200	0,2439012
15,816	534,9	535,0	100,30	99,70	0,170	0,173	201	0,2453525
15,748	534,9	535,0	98,63	99,62	0,170	0,173	202	0,2443283
15,584	534,8	535,0	101,86	101,19	0,170	0,173	203	0,2418117
15,715	534,8	535,0	99,26	99,93	0,171	0,173	204	0,2439009
15,805	534,8	535,0	98,20	99,39	0,169	0,173	205	0,2453528
15,669	534,8	534,9	98,63	99,75	0,168	0,172	206	0,2432792
15,772	534,8	534,9	98,21	99,24	0,168	0,172	207	0,2449381
15,770	534,8	534,9	100,24	99,63	0,170	0,173	208	0,2449414
15,769	534,8	534,9	99,69	99,49	0,171	0,173	209	0,2449385
15,665	534,8	534,9	99,15	100,05	0,170	0,173	210	0,2432762
15,705	534,8	535,0	99,43	100,13	0,169	0,173	211	0,2439008
15,709	534,8	535,0	100,77	100,37	0,171	0,173	212	0,2438982
15,775	534,9	535,0	98,49	99,34	0,170	0,173	213	0,244938
15,799	534,9	535,0	98,00	99,39	0,169	0,173	214	0,2453525
15,799	534,9	535,0	100,49	99,86	0,170	0,173	215	0,2453526
15,767	534,8	535,0	100,16	99,57	0,172	0,173	216	0,2449378
15,769	534,8	535,0	100,68	100,26	0,172	0,173	217	0,2449383
15,724	534,8	535,0	100,71	99,94	0,172	0,174	218	0,2443153
15,697	534,8	535,0	99,76	99,98	0,171	0,173	219	0,2439008
15,785	534,8	535,0	97,90	99,06	0,169	0,173	220	0,2453524
15,814	534,8	534,9	98,01	98,98	0,168	0,172	221	0,2457655
15,719	534,8	535,0	98,67	99,66	0,169	0,173	222	0,2443162
15,627	534,8	535,0	101,01	100,46	0,170	0,173	223	0,2428591
15,701	534,9	535,0	98,64	99,73	0,170	0,173	224	0,243901
15,929	534,9	535,1	99,25	99,01	0,170	0,173	225	0,2474113
15,793	534,9	535,1	99,50	99,39	0,171	0,173	226	0,2453527
15,821	534,9	535,1	98,01	99,36	0,170	0,173	227	0,2457655
15,790	534,9	535,1	100,00	99,42	0,170	0,173	228	0,2453528
15,696	534,9	535,1	100,87	100,19	0,172	0,173	229	0,2439007
15,693	534,9	535,1	98,90	99,97	0,171	0,173	230	0,2439014
15,756	534,9	535,1	98,05	99,41	0,169	0,173	231	0,2449384
15,688	534,9	535,0	100,79	100,34	0,170	0,173	232	0,2439006
15,688	534,8	535,0	101,00	100,26	0,172	0,174	233	0,2439009
15,645	534,8	535,0	99,02	99,59	0,171	0,173	234	0,2432755
15,750	534,8	535,0	100,37	99,95	0,171	0,173	235	0,2449388
15,486	534,8	535,0	102,24	101,39	0,172	0,173	236	0,2407606

15,725	534,9	535,0	100,55	100,16	0,172	0,173	237	0,2443166
15,723	534,9	535,1	100,66	99,88	0,172	0,173	238	0,2443168
15,692	535,0	535,1	100,30	100,40	0,172	0,173	239	0,2439015
15,852	535,0	535,1	97,27	98,66	0,170	0,173	240	0,2463847
15,691	535,0	535,1	100,64	100,62	0,170	0,173	241	0,2439012
15,716	534,9	535,1	98,49	99,42	0,170	0,173	242	0,244316
15,687	534,9	535,1	100,41	100,08	0,170	0,173	243	0,2439008
15,428	534,9	535,1	102,47	101,40	0,172	0,173	244	0,2399163
15,711	534,8	535,0	98,28	99,61	0,170	0,173	245	0,2443168
15,707	534,8	535,0	98,49	99,45	0,168	0,173	246	0,2443165
15,613	534,8	535,0	98,70	100,30	0,168	0,173	247	0,2428592
15,675	534,8	535,0	99,84	100,18	0,169	0,173	248	0,2439018
15,763	534,8	535,0	97,95	99,15	0,170	0,173	249	0,245252
15,557	534,8	535,0	99,01	100,52	0,168	0,173	250	0,2418132
15,804	534,9	535,0	98,98	99,36	0,169	0,173	251	0,2457657
15,649	534,9	535,1	98,98	99,97	0,170	0,173	252	0,2432763
15,806	534,9	535,1	98,06	99,28	0,169	0,173	253	0,2457654
15,914	534,9	535,1	98,19	98,35	0,170	0,173	254	0,2474115
15,644	534,9	535,0	100,67	100,05	0,171	0,173	255	0,2432762
15,775	534,8	535,0	98,29	99,60	0,170	0,173	256	0,2453524
15,839	534,7	535,0	98,85	98,70	0,170	0,173	257	0,2463851
15,743	534,7	534,9	98,96	99,31	0,170	0,173	258	0,2449386
15,634	534,6	534,9	100,88	100,91	0,171	0,173	259	0,2432763
15,603	534,6	534,9	101,37	100,27	0,172	0,174	260	0,2428585
15,603	534,6	534,9	98,90	100,27	0,171	0,173	261	0,242859
15,536	534,6	534,9	100,52	100,36	0,169	0,173	262	0,2418117
15,769	534,7	534,9	98,12	99,53	0,170	0,173	263	0,2453523
15,776	534,7	534,9	98,50	99,41	0,169	0,173	264	0,2453529
15,614	534,8	535,0	101,47	100,54	0,171	0,173	265	0,2428596
15,612	534,8	535,0	99,14	99,62	0,171	0,172	266	0,2428482
15,638	534,8	535,0	100,78	99,89	0,170	0,172	267	0,2432753
15,678	534,8	535,0	101,01	100,22	0,172	0,173	268	0,2438997
15,513	534,7	535,0	101,66	101,08	0,172	0,173	269	0,2413926
15,537	534,7	534,9	99,29	100,52	0,170	0,173	270	0,2418123
15,630	534,7	534,9	98,57	99,76	0,168	0,172	271	0,2432759
15,505	534,7	534,9	99,73	100,21	0,169	0,172	272	0,2413925
15,624	534,7	534,9	98,95	100,24	0,169	0,173	273	0,243267
15,620	534,6	534,9	100,66	100,00	0,170	0,173	274	0,2432757
15,780	534,6	534,8	99,81	99,47	0,172	0,173	275	0,2457651
15,766	534,7	534,9	98,43	98,76	0,171	0,173	276	0,2453524
15,828	534,7	534,9	99,85	98,67	0,171	0,172	277	0,2463841
15,609	534,8	534,9	101,31	100,19	0,173	0,173	278	0,242859
15,794	534,8	535,0	98,08	99,38	0,171	0,173	279	0,2457654
15,767	534,8	535,0	99,80	99,15	0,170	0,173	280	0,2453527
15,831	534,8	535,0	99,40	98,75	0,172	0,173	281	0,2463845
15,533	534,7	534,9	99,17	100,50	0,170	0,173	282	0,2418116
15,665	534,7	534,9	98,54	99,93	0,168	0,173	283	0,2439008
15,731	534,7	534,9	98,23	99,20	0,169	0,173	284	0,2449377
15,660	534,7	534,9	100,64	99,81	0,171	0,173	285	0,2438994
15,589	534,7	534,9	101,16	100,57	0,172	0,173	286	0,2428589
15,587	534,6	534,8	101,37	100,07	0,173	0,173	287	0,2428586
15,652	534,6	534,8	100,49	99,48	0,172	0,173	288	0,2439008
15,652	534,6	534,8	100,80	99,68	0,172	0,173	289	0,2439007
15,596	534,7	534,9	100,73	99,84	0,172	0,173	290	0,2428589
15,750	534,7	534,9	98,63	99,59	0,171	0,173	291	0,2453527
15,758	534,8	534,9	98,80	98,58	0,170	0,173	292	0,2453528
15,754	534,8	535,0	100,06	98,79	0,171	0,172	293	0,2453533
15,729	534,8	535,0	98,33	99,32	0,171	0,173	294	0,244939
15,777	534,8	535,0	97,43	99,18	0,169	0,173	295	0,2457659
15,658	534,8	534,9	98,47	99,95	0,168	0,173	296	0,2439014
15,615	534,8	534,9	99,60	99,50	0,169	0,173	297	0,2432765

15,524	534,7	534,9	100,01	101,00	0,170	0,173	298	0,2418973
15,513	534,7	534,9	100,73	100,17	0,170	0,173	299	0,241812
15,643	534,7	534,9	100,85	99,47	0,172	0,172	300	0,2439015
15,510	534,7	534,9	99,42	100,36	0,171	0,173	301	0,241812
15,707	534,7	534,9	97,85	98,97	0,169	0,173	302	0,2449381
15,711	534,6	534,8	100,32	99,07	0,171	0,173	303	0,2449385
15,675	534,7	534,9	98,44	99,81	0,171	0,173	304	0,2443161
15,741	534,7	534,9	98,15	98,89	0,169	0,173	305	0,2453526
15,614	534,8	534,9	98,78	99,98	0,169	0,173	306	0,2432754
15,587	534,8	534,9	100,53	99,63	0,170	0,172	307	0,2428589
15,719	534,8	534,9	98,51	99,86	0,170	0,173	308	0,2449385
15,769	534,7	534,9	97,63	98,93	0,169	0,173	309	0,2457657
15,740	534,7	534,9	98,27	99,64	0,169	0,173	310	0,2453534
15,645	534,7	534,9	99,98	99,81	0,170	0,174	311	0,2439009
15,441	534,7	534,9	100,47	101,33	0,171	0,173	312	0,2407605
15,602	534,7	534,9	100,65	100,09	0,171	0,173	313	0,2432757
15,639	534,7	534,9	98,55	99,46	0,170	0,173	314	0,2439007
15,705	534,7	534,9	97,91	98,91	0,169	0,173	315	0,2449386
15,571	534,7	534,9	101,44	99,88	0,171	0,173	316	0,2428589
15,663	534,7	534,9	98,23	99,61	0,171	0,173	317	0,2443163
15,581	534,8	534,9	100,76	100,29	0,170	0,173	318	0,242859
15,709	534,8	535,0	97,95	99,18	0,170	0,173	319	0,2449369
15,583	534,8	535,0	98,63	100,12	0,168	0,173	320	0,2428585
15,741	534,8	535,0	100,31	98,92	0,171	0,173	321	0,2453524
15,512	534,8	535,0	99,55	101,11	0,171	0,173	322	0,241812
15,671	534,8	535,0	100,26	99,67	0,171	0,174	323	0,2443162
15,706	534,8	534,9	98,00	99,24	0,170	0,173	324	0,2449387
15,707	534,8	534,9	97,99	99,77	0,169	0,173	325	0,2449382
15,731	534,8	534,9	100,00	98,33	0,171	0,173	326	0,2453528
15,594	534,8	535,0	100,73	100,08	0,172	0,172	327	0,2432757
15,500	534,8	534,9	99,37	100,54	0,171	0,173	328	0,2418118
15,658	534,7	534,9	100,34	99,54	0,171	0,173	329	0,2443162
15,590	534,7	534,9	100,71	99,37	0,172	0,173	330	0,2432758
15,696	534,7	534,9	97,88	99,13	0,170	0,173	331	0,2449386
15,601	534,7	534,9	100,55	99,42	0,170	0,172	332	0,243276
15,758	534,8	534,9	99,61	99,05	0,172	0,173	333	0,2457652
15,762	534,8	535,0	99,51	98,54	0,172	0,173	334	0,2457659
15,760	534,8	535,0	97,34	98,73	0,170	0,172	335	0,2457655
15,664	534,8	535,0	98,36	99,15	0,169	0,173	336	0,2443162
15,664	534,7	534,9	99,24	99,31	0,170	0,173	337	0,2443161
15,729	534,7	534,9	99,97	98,89	0,171	0,173	338	0,2453528
15,472	534,7	534,9	99,95	100,52	0,171	0,173	339	0,2413918
15,751	534,7	534,9	98,47	99,13	0,170	0,173	340	0,2457653
15,658	534,6	534,9	97,98	99,76	0,169	0,173	341	0,2443161
15,657	534,6	534,9	99,50	99,85	0,170	0,174	342	0,2443155
15,651	534,6	534,8	100,09	99,18	0,171	0,173	343	0,2443162
15,558	534,6	534,8	101,18	99,36	0,172	0,172	344	0,2428588
15,625	534,6	534,8	100,30	98,91	0,172	0,172	345	0,2439012
15,664	534,7	534,9	97,77	99,43	0,170	0,172	346	0,2443166
15,705	534,7	534,9	97,91	99,42	0,168	0,173	347	0,2449389
15,704	534,7	534,9	98,81	99,05	0,169	0,173	348	0,2449381
15,731	534,7	534,9	99,98	98,57	0,171	0,172	349	0,2453527
15,661	534,7	534,9	98,82	99,33	0,171	0,172	350	0,244316
15,726	534,7	534,9	97,92	99,21	0,169	0,173	351	0,2453525
15,496	534,6	534,8	99,41	100,54	0,169	0,173	352	0,241812
15,569	534,6	534,8	98,46	100,40	0,169	0,173	353	0,2429797
15,787	534,6	534,8	98,88	98,73	0,170	0,173	354	0,2463847
15,466	534,6	534,8	99,21	101,09	0,170	0,174	355	0,2413925
15,649	534,5	534,8	100,07	99,21	0,170	0,173	356	0,2443156
15,619	534,5	534,7	99,92	99,54	0,172	0,173	357	0,2439008
15,581	534,5	534,7	100,97	99,70	0,172	0,173	358	0,2432756

15,855	534,5	534,8	96,58	98,80	0,170	0,173	359	0,2474106
15,883	534,6	534,8	98,98	98,10	0,170	0,174	360	0,247821
15,727	534,6	534,8	97,81	99,20	0,171	0,173	361	0,2453527
15,726	534,6	534,8	97,40	99,48	0,168	0,173	362	0,2453525
15,630	534,6	534,8	98,61	99,89	0,169	0,174	363	0,243901
15,694	534,6	534,8	100,11	98,63	0,171	0,173	364	0,2449382
15,693	534,6	534,8	100,14	98,57	0,172	0,172	365	0,244938
15,558	534,5	534,7	98,71	100,20	0,171	0,173	366	0,2428588
15,555	534,5	534,7	100,90	99,86	0,171	0,173	367	0,2428586
15,551	534,5	534,7	100,67	99,70	0,172	0,173	368	0,2428585
15,711	534,4	534,7	98,44	99,14	0,171	0,173	369	0,2453525
15,615	534,4	534,6	100,55	99,25	0,171	0,173	370	0,2439008
15,574	534,4	534,6	98,97	99,98	0,171	0,173	371	0,2432752
15,775	534,4	534,6	99,24	98,23	0,171	0,173	372	0,2463842
15,622	534,5	534,7	100,61	99,48	0,172	0,173	373	0,2438431
15,588	534,5	534,7	100,34	99,86	0,172	0,173	374	0,2432758
15,694	534,5	534,7	100,27	99,05	0,172	0,173	375	0,244938
15,585	534,6	534,7	100,83	99,33	0,173	0,172	376	0,2432755
15,745	534,5	534,7	99,64	98,46	0,172	0,172	377	0,2457971
15,463	534,5	534,7	101,51	100,21	0,172	0,172	378	0,2413918
15,623	534,5	534,7	100,69	99,05	0,173	0,172	379	0,2439009
15,687	534,5	534,7	98,78	99,19	0,172	0,173	380	0,2449378

Average	Average	Average						Average
15,61	Inlet +	Inlet +						0,239
	Outlet	Outlet	Average	Average	#1	#2		
Tunnel	Temp.	Temp.	97,97	96,66	System 1	System 2		SQRT
Velocity	Meter 1	Meter 2	Proportional Rates		Vol.Std.	Vol.Std.		Delta-P
			PR1	PR2			Time	
Ft/Sec	Deg. R	Deg. R	%	%	(ft3)	(ft3)	min	(in H2O)2
15,408	535,3	535,3			0,167	0,171	0	0,2212203
15,619	535,3	535,3	113,94	110,14	0,170	0,171	1	0,2246323
15,400	535,3	535,3	114,39	110,79	0,171	0,171	2	0,2219081
15,355	535,3	535,3	113,11	112,05	0,169	0,170	3	0,2207612
15,939	535,3	535,3	110,50	106,17	0,170	0,170	4	0,2304269
15,877	535,3	535,3	106,33	103,09	0,171	0,170	5	0,233706
15,720	535,3	535,3	102,09	101,03	0,169	0,171	6	0,2356546
15,425	535,3	535,3	104,58	100,99	0,170	0,171	7	0,2326185
15,546	535,3	535,3	101,52	100,07	0,170	0,171	8	0,2352015
15,484	535,2	535,3	102,02	99,72	0,169	0,171	9	0,2347885
15,669	535,2	535,3	101,15	98,38	0,170	0,171	10	0,2378467
15,744	535,2	535,3	98,73	98,08	0,169	0,171	11	0,2391383
15,666	535,2	535,3	99,47	98,23	0,168	0,171	12	0,2382199
15,665	535,2	535,3	99,81	98,14	0,168	0,171	13	0,2382195
15,633	535,2	535,4	101,09	98,26	0,170	0,171	14	0,2377941
15,776	535,2	535,4	97,68	97,49	0,169	0,171	15	0,2403398
15,935	535,3	535,4	96,55	96,33	0,167	0,171	16	0,2428586
15,669	535,2	535,4	99,29	97,65	0,168	0,171	17	0,2388583
15,760	535,2	535,4	99,04	96,88	0,169	0,171	18	0,2403402
15,779	535,2	535,4	99,66	96,40	0,170	0,170	19	0,2407611
15,748	535,2	535,4	99,23	96,74	0,170	0,170	20	0,2402873
15,911	535,2	535,4	96,71	95,93	0,168	0,171	21	0,2428598
15,837	535,2	535,4	97,04	96,23	0,167	0,171	22	0,2418122
15,668	535,2	535,4	97,85	97,37	0,167	0,171	23	0,2392815
15,828	535,2	535,4	97,01	96,22	0,167	0,171	24	0,2418123
15,892	535,3	535,4	96,09	95,92	0,167	0,171	25	0,2428597
15,653	535,3	535,4	97,54	97,56	0,166	0,171	26	0,2392821
15,811	535,3	535,4	97,71	96,00	0,167	0,171	27	0,2418129
15,813	535,3	535,4	96,31	96,36	0,167	0,171	28	0,2418122
15,811	535,3	535,4	98,65	95,46	0,168	0,170	29	0,2418122
15,743	535,4	535,5	98,28	96,56	0,169	0,170	30	0,2407616
15,738	535,4	535,5	96,87	97,03	0,168	0,171	31	0,240761
15,718	535,4	535,5	98,84	96,36	0,168	0,171	32	0,2404425
15,872	535,4	535,5	98,05	95,30	0,170	0,170	33	0,2428595
15,636	535,4	535,5	99,87	96,34	0,170	0,170	34	0,2392821
15,732	535,4	535,5	98,12	96,26	0,170	0,170	35	0,2407616
15,706	535,4	535,5	97,10	96,91	0,168	0,171	36	0,2403398
15,893	535,4	535,5	95,95	95,69	0,167	0,171	37	0,2432761
15,725	535,3	535,5	97,11	96,61	0,167	0,171	38	0,2407614
15,696	535,3	535,4	98,13	96,52	0,168	0,171	39	0,2403401
15,726	535,3	535,5	97,93	96,25	0,168	0,170	40	0,2407608
15,791	535,3	535,4	96,22	96,40	0,167	0,171	41	0,2417506
15,694	535,3	535,4	98,51	96,51	0,168	0,171	42	0,2403397
15,808	535,2	535,4	98,13	95,79	0,169	0,171	43	0,2420656
15,888	535,2	535,4	97,83	94,69	0,170	0,170	44	0,2432765
15,592	535,3	535,4	97,89	97,16	0,168	0,170	45	0,2388578
15,922	535,3	535,4	97,55	94,59	0,168	0,170	46	0,2439012
15,666	535,3	535,4	99,16	96,43	0,170	0,170	47	0,2399166
15,887	535,4	535,4	97,51	95,34	0,170	0,170	48	0,2432755
15,928	535,3	535,4	95,17	95,42	0,168	0,171	49	0,2439021
15,862	535,4	535,5	95,82	95,76	0,166	0,171	50	0,2428601
15,625	535,3	535,4	99,08	96,80	0,168	0,171	51	0,2392817
15,693	535,3	535,4	99,30	96,36	0,170	0,170	52	0,2403402
15,861	535,3	535,4	95,81	95,82	0,168	0,171	53	0,2428596

15,622	535,3	535,4	99,55	96,68	0,168	0,171	54	0,2392821
15,856	535,2	535,3	97,75	95,47	0,170	0,170	55	0,2428598
15,623	535,2	535,3	99,59	96,42	0,170	0,170	56	0,2392814
15,855	535,2	535,3	96,27	95,81	0,169	0,170	57	0,2428594
15,719	535,2	535,3	96,63	96,69	0,167	0,171	58	0,2407614
15,785	535,2	535,3	95,97	96,11	0,166	0,171	59	0,2418123
15,854	535,2	535,3	97,81	95,08	0,168	0,170	60	0,2428596
15,881	535,2	535,3	97,96	95,18	0,170	0,170	61	0,2432766
15,593	535,2	535,3	98,23	96,83	0,169	0,170	62	0,2388578
15,854	535,3	535,4	98,04	95,00	0,169	0,170	63	0,2428597
15,629	535,3	535,4	97,50	97,14	0,168	0,170	64	0,2392823
15,632	535,3	535,4	97,49	97,21	0,167	0,171	65	0,2392821
15,634	535,4	535,4	99,38	96,83	0,168	0,171	66	0,239282
15,797	535,4	535,4	96,12	96,18	0,168	0,171	67	0,2417803
15,866	535,3	535,4	98,01	95,08	0,168	0,170	68	0,2428594
15,634	535,3	535,4	99,57	96,61	0,170	0,170	69	0,2392818
15,508	535,3	535,4	97,97	97,70	0,168	0,170	70	0,2373658
15,633	535,3	535,4	97,13	97,24	0,166	0,171	71	0,2392817
15,563	535,4	535,4	100,09	97,30	0,168	0,171	72	0,23822
15,562	535,4	535,5	97,52	97,61	0,168	0,171	73	0,2382187
15,509	535,4	535,5	97,94	97,81	0,166	0,171	74	0,2373657
15,564	535,4	535,5	99,58	97,59	0,168	0,171	75	0,238219
15,509	535,4	535,5	99,13	98,04	0,169	0,171	76	0,2373661
15,533	535,4	535,5	97,95	97,55	0,167	0,171	77	0,2377939
15,606	535,5	535,6	97,75	97,00	0,166	0,170	78	0,2388576
15,632	535,5	535,6	97,45	96,68	0,167	0,170	79	0,2392761
15,334	535,5	535,6	101,04	98,93	0,168	0,170	80	0,2347873
15,603	535,5	535,6	97,34	97,49	0,168	0,171	81	0,2388575
15,609	535,6	535,7	99,92	97,24	0,168	0,171	82	0,2388579
15,471	535,6	535,7	100,24	98,21	0,170	0,171	83	0,2367244
15,514	535,6	535,7	100,59	97,80	0,170	0,171	84	0,2373659
15,516	535,6	535,7	97,87	97,76	0,168	0,171	85	0,2373662
15,472	535,6	535,7	100,24	98,10	0,168	0,171	86	0,2367231
15,514	535,6	535,7	98,64	97,42	0,168	0,170	87	0,2373661
15,637	535,6	535,7	97,35	97,21	0,167	0,170	88	0,2392821
15,607	535,6	535,7	98,76	97,54	0,167	0,171	89	0,2388576
15,606	535,6	535,7	98,16	96,52	0,168	0,170	90	0,238858
15,605	535,6	535,7	97,33	97,45	0,167	0,170	91	0,2388577
15,630	535,6	535,7	99,01	97,18	0,168	0,171	92	0,2392817
15,556	535,6	535,7	99,39	97,63	0,169	0,171	93	0,2382199
15,499	535,6	535,7	100,31	97,69	0,170	0,171	94	0,2373661
15,591	535,5	535,7	99,03	96,88	0,170	0,170	95	0,2388575
15,621	535,5	535,7	99,03	96,67	0,169	0,170	96	0,239282
15,550	535,5	535,7	97,68	97,39	0,168	0,170	97	0,2382196
15,567	535,6	535,7	98,39	97,23	0,167	0,170	98	0,2382194
15,628	535,6	535,7	97,32	96,89	0,167	0,170	99	0,2392818
15,602	535,6	535,7	99,43	97,61	0,168	0,171	100	0,2388577
15,561	535,6	535,8	100,17	97,19	0,170	0,171	101	0,2382197
15,604	535,6	535,8	99,96	97,13	0,170	0,170	102	0,2388581
15,628	535,6	535,8	97,18	96,62	0,168	0,170	103	0,2392815
15,393	535,6	535,8	100,94	98,24	0,168	0,170	104	0,2356507
15,625	535,6	535,7	97,47	96,45	0,168	0,170	105	0,239282
15,601	535,6	535,7	99,53	97,20	0,168	0,170	106	0,2388581
15,528	535,5	535,7	98,44	97,78	0,168	0,171	107	0,2377939
15,600	535,5	535,7	99,77	97,38	0,169	0,171	108	0,2388578
15,597	535,5	535,6	97,14	97,02	0,168	0,171	109	0,2388581
15,667	535,5	535,6	98,86	96,38	0,168	0,170	110	0,2399166
15,555	535,5	535,6	99,92	97,31	0,170	0,170	111	0,2382201
15,621	535,5	535,6	99,03	97,39	0,170	0,171	112	0,2392704
15,586	535,4	535,6	97,73	96,67	0,168	0,171	113	0,2388577
15,547	535,5	535,6	99,95	97,30	0,168	0,170	114	0,2382197

15,616	535,5	535,6	97,55	96,55	0,168	0,170	115	0,2392817
15,552	535,5	535,6	99,72	97,08	0,168	0,170	116	0,2382202
15,556	535,5	535,6	98,85	97,89	0,169	0,171	117	0,2382196
15,526	535,5	535,6	100,25	97,60	0,169	0,171	118	0,2378182
15,620	535,5	535,6	99,15	96,44	0,170	0,170	119	0,2392823
15,620	535,5	535,6	97,27	96,98	0,168	0,170	120	0,2392826
15,589	535,5	535,6	97,42	97,34	0,166	0,171	121	0,2388585
15,656	535,5	535,6	98,05	96,11	0,167	0,170	122	0,2399179
15,614	535,5	535,6	96,93	96,79	0,167	0,170	123	0,2392825
15,614	535,5	535,5	99,40	96,96	0,168	0,171	124	0,239282
15,612	535,4	535,5	96,84	96,83	0,168	0,171	125	0,2392823
15,542	535,5	535,6	98,05	96,82	0,166	0,170	126	0,2382201
15,651	535,5	535,5	98,37	97,07	0,168	0,171	127	0,2398921
15,675	535,5	535,6	98,71	96,26	0,169	0,171	128	0,2402922
15,444	535,5	535,6	100,28	98,33	0,170	0,171	129	0,2367251
15,615	535,6	535,6	98,67	97,47	0,169	0,172	130	0,239283
15,661	535,6	535,6	98,77	96,49	0,169	0,171	131	0,2399459
15,594	535,6	535,6	97,32	96,70	0,168	0,170	132	0,2388595
15,618	535,6	535,7	97,73	96,57	0,167	0,170	133	0,2392832
15,590	535,6	535,7	96,76	96,82	0,166	0,170	134	0,2388597
15,590	535,5	535,7	98,29	97,08	0,166	0,170	135	0,23886
15,589	535,5	535,7	97,69	96,59	0,167	0,170	136	0,2388597
15,588	535,5	535,6	99,78	97,11	0,169	0,170	137	0,2388602
15,488	535,5	535,6	98,18	97,01	0,168	0,170	138	0,2373688
15,545	535,5	535,6	99,03	97,59	0,168	0,170	139	0,2382268
15,653	535,5	535,7	96,72	96,14	0,167	0,170	140	0,2399193
15,648	535,5	535,7	99,38	96,92	0,168	0,171	141	0,2399194
15,573	535,5	535,6	97,27	96,69	0,168	0,171	142	0,2388599
15,609	535,5	535,7	97,81	96,87	0,167	0,170	143	0,2392849
15,543	535,6	535,7	99,75	97,78	0,169	0,171	144	0,238222
15,782	535,6	535,7	98,53	96,21	0,170	0,171	145	0,2418149
15,551	535,7	535,8	97,54	96,92	0,168	0,171	146	0,2382211
15,619	535,7	535,8	97,87	96,95	0,167	0,170	147	0,2392844
15,520	535,7	535,8	99,91	97,39	0,169	0,171	148	0,2377965
15,616	535,7	535,8	98,80	97,05	0,169	0,171	149	0,2392846
15,585	535,7	535,8	97,01	96,72	0,167	0,170	150	0,2388604
15,657	535,7	535,8	96,44	96,47	0,165	0,170	151	0,2399196
15,616	535,7	535,9	99,40	97,19	0,168	0,171	152	0,239285
15,652	535,7	535,9	96,54	96,17	0,168	0,171	153	0,2399202
15,613	535,7	535,9	99,11	96,96	0,168	0,170	154	0,2392849
15,684	535,7	535,9	99,00	96,86	0,170	0,171	155	0,2403428
15,517	535,7	535,9	98,19	97,55	0,168	0,171	156	0,2377968
15,655	535,8	535,9	98,40	96,34	0,168	0,170	157	0,2399201
15,581	535,8	535,9	98,89	96,77	0,169	0,170	158	0,238861
15,655	535,8	536,0	96,63	96,10	0,167	0,170	159	0,2399198
15,679	535,8	536,0	97,11	96,19	0,166	0,170	160	0,2403433
15,616	535,9	536,0	98,79	97,15	0,168	0,171	161	0,2392856
15,619	535,9	536,0	99,01	96,81	0,169	0,171	162	0,2392853
15,592	535,9	536,1	99,23	96,91	0,169	0,170	163	0,2388617
15,520	536,0	536,1	97,79	96,91	0,168	0,170	164	0,2377977
15,589	536,0	536,1	97,54	96,72	0,166	0,170	165	0,2388619
15,589	536,0	536,1	99,40	97,01	0,168	0,170	166	0,2388621
15,615	536,1	536,2	98,58	96,64	0,169	0,170	167	0,2392865
15,590	536,1	536,2	98,82	97,04	0,169	0,170	168	0,2389126
15,583	536,1	536,2	97,82	96,78	0,168	0,170	169	0,2388628
15,680	536,1	536,2	98,75	96,59	0,168	0,171	170	0,2403441
15,650	536,1	536,2	99,11	96,95	0,170	0,171	171	0,2399215
15,580	536,2	536,2	99,28	97,12	0,170	0,171	172	0,2388624
15,607	536,2	536,2	96,81	96,55	0,168	0,170	173	0,2392867
15,675	536,2	536,2	96,58	95,77	0,166	0,170	174	0,2403451
15,575	536,3	536,3	98,49	96,85	0,167	0,170	175	0,2388631

15,651	536,3	536,3	97,34	96,43	0,168	0,170	176	0,2399224
15,316	536,4	536,3	98,84	98,57	0,166	0,170	177	0,2347929
15,588	536,4	536,3	97,33	96,86	0,166	0,170	178	0,2388633
15,608	536,4	536,4	99,31	97,15	0,168	0,171	179	0,239288
15,703	536,5	536,4	96,20	96,02	0,168	0,171	180	0,2407675
15,606	536,5	536,5	98,91	96,90	0,167	0,171	181	0,2392883
15,537	536,5	536,5	99,40	97,36	0,169	0,171	182	0,2382253
15,641	536,5	536,5	98,35	96,59	0,169	0,171	183	0,2399228
15,516	536,5	536,6	97,90	97,17	0,168	0,171	184	0,2380082
15,668	536,6	536,6	98,17	96,50	0,168	0,171	185	0,240346
15,639	536,6	536,6	96,48	96,11	0,167	0,170	186	0,2399238
15,664	536,5	536,6	98,34	96,14	0,167	0,170	187	0,240347
15,597	536,5	536,6	99,07	97,10	0,169	0,171	188	0,2392891
15,595	536,5	536,6	98,76	96,90	0,169	0,171	189	0,2392891
15,565	536,5	536,6	96,69	96,41	0,167	0,170	190	0,2388658
15,647	536,5	536,5	96,31	96,66	0,165	0,170	191	0,2399245
15,838	536,6	536,5	95,29	94,96	0,165	0,170	192	0,2428674
15,366	536,7	536,6	100,29	98,37	0,167	0,170	193	0,235658
15,768	536,7	536,7	97,23	95,85	0,169	0,171	194	0,2418222
15,597	536,8	536,7	96,31	95,99	0,166	0,170	195	0,23929
15,828	536,8	536,8	97,46	95,74	0,167	0,170	196	0,2428682
15,757	536,9	536,8	97,33	95,82	0,169	0,171	197	0,2418207
15,465	536,8	536,8	97,37	97,28	0,167	0,171	198	0,2373749
15,562	536,9	536,8	98,29	96,60	0,167	0,170	199	0,2388675
15,753	536,9	536,9	95,80	95,27	0,167	0,170	200	0,2418216
15,573	536,8	536,9	96,31	96,34	0,165	0,170	201	0,2391237
15,584	536,8	536,9	97,64	96,44	0,166	0,170	202	0,2392916
15,512	536,8	536,8	98,93	97,01	0,168	0,170	203	0,2382289
15,553	536,8	536,9	99,00	96,90	0,169	0,171	204	0,2388673
15,619	536,8	536,9	96,27	96,13	0,167	0,170	205	0,2399263
15,644	536,9	536,9	96,28	95,92	0,166	0,170	206	0,2403498
15,614	536,9	537,0	96,52	96,11	0,166	0,170	207	0,2399272
15,575	537,0	537,0	98,86	96,81	0,168	0,171	208	0,2392922
15,675	537,0	537,0	98,38	96,21	0,170	0,171	209	0,2407715
15,620	537,0	537,0	97,18	96,30	0,168	0,171	210	0,2399273
15,549	537,0	537,0	98,53	96,93	0,168	0,171	211	0,2388684
15,548	537,0	537,1	99,16	96,70	0,169	0,171	212	0,2388684
15,615	537,0	537,1	95,98	95,88	0,167	0,170	213	0,2399277
15,590	537,1	537,1	95,95	96,16	0,165	0,170	214	0,2396003
15,471	537,0	537,1	98,22	96,94	0,166	0,170	215	0,2378045
15,564	537,0	537,1	96,34	95,99	0,166	0,170	216	0,2392681
15,632	537,0	537,0	98,20	96,23	0,167	0,170	217	0,2403506
15,537	536,9	537,0	96,50	96,13	0,167	0,170	218	0,2388683
15,603	537,0	537,0	96,25	96,38	0,165	0,170	219	0,2399273
15,725	536,9	537,0	95,51	94,88	0,166	0,170	220	0,2418236
15,600	537,0	537,1	95,97	95,89	0,165	0,170	221	0,2399279
15,599	537,0	537,1	96,14	95,89	0,165	0,170	222	0,2399275
15,556	537,1	537,1	98,79	96,65	0,167	0,170	223	0,2392926
15,528	537,1	537,1	98,15	96,51	0,169	0,171	224	0,238869
15,596	537,1	537,1	96,22	96,17	0,167	0,170	225	0,2399283
15,554	537,1	537,1	98,34	97,03	0,167	0,171	226	0,2392933
15,628	537,2	537,1	95,85	95,29	0,167	0,170	227	0,2403514
15,560	537,3	537,2	96,24	95,82	0,165	0,169	228	0,2392934
15,607	537,4	537,3	96,30	95,48	0,165	0,169	229	0,2400082
15,556	537,5	537,3	98,14	96,29	0,167	0,170	230	0,2392938
15,597	537,5	537,3	95,93	96,14	0,167	0,170	231	0,2399287
15,650	537,4	537,3	95,94	96,05	0,165	0,171	232	0,2407735
15,783	537,4	537,4	94,74	94,96	0,165	0,171	233	0,2428724
15,714	537,3	537,3	97,22	95,76	0,167	0,171	234	0,2418254
15,781	537,2	537,3	95,35	94,96	0,167	0,171	235	0,2428728
15,617	537,2	537,3	98,06	96,36	0,168	0,171	236	0,2403532

15,586	537,2	537,3	97,72	96,61	0,169	0,171	237	0,2399301
15,546	537,3	537,3	98,20	96,86	0,168	0,171	238	0,2392953
15,516	537,3	537,3	95,99	96,61	0,167	0,171	239	0,2388716
15,639	537,3	537,3	97,36	96,21	0,166	0,171	240	0,2407747
15,609	537,3	537,3	97,19	96,38	0,168	0,171	241	0,240354
15,705	537,3	537,3	94,93	95,04	0,166	0,171	242	0,2418263
15,607	537,3	537,3	98,31	96,09	0,167	0,170	243	0,2403539
15,579	537,3	537,3	96,42	95,63	0,168	0,170	244	0,2399311
15,465	537,3	537,2	96,58	96,89	0,166	0,170	245	0,2382334
15,576	537,3	537,2	95,58	96,08	0,165	0,171	246	0,2399316
15,605	537,3	537,2	95,58	95,93	0,165	0,171	247	0,2403545
15,512	537,4	537,3	96,48	96,71	0,165	0,171	248	0,2388722
15,557	537,4	537,3	97,59	96,82	0,167	0,171	249	0,239556
15,612	537,5	537,4	96,02	96,10	0,167	0,171	250	0,2403545
15,544	537,6	537,4	96,76	95,99	0,166	0,170	251	0,2392969
15,541	537,6	537,4	98,50	96,55	0,168	0,170	252	0,2392968
15,538	537,5	537,4	97,99	96,85	0,169	0,171	253	0,2392965
15,582	537,5	537,4	98,15	96,04	0,169	0,171	254	0,2399317
15,541	537,5	537,4	96,01	96,43	0,167	0,171	255	0,2392969
15,581	537,4	537,4	96,42	96,46	0,166	0,171	256	0,2399316
15,538	537,4	537,4	96,25	96,22	0,166	0,171	257	0,2392969
15,634	537,4	537,4	97,43	95,71	0,167	0,170	258	0,2407761
15,580	537,4	537,4	97,63	95,72	0,168	0,170	259	0,2399315
15,508	537,4	537,4	98,33	96,95	0,168	0,171	260	0,2388727
15,564	537,4	537,4	98,07	95,88	0,169	0,171	261	0,2397687
15,631	537,4	537,4	96,36	96,26	0,168	0,171	262	0,2407763
15,602	537,5	537,4	95,91	95,67	0,166	0,171	263	0,2403545
15,531	537,4	537,4	96,80	96,64	0,166	0,171	264	0,2392969
15,570	537,3	537,3	98,00	95,99	0,168	0,171	265	0,2399323
15,567	537,3	537,3	98,35	95,93	0,169	0,170	266	0,239889
15,499	537,2	537,3	96,57	96,33	0,168	0,170	267	0,2388724
15,568	537,2	537,3	95,87	95,76	0,166	0,170	268	0,2399314
15,524	537,2	537,3	98,52	96,40	0,167	0,170	269	0,2392475
15,497	537,2	537,2	97,99	96,03	0,169	0,170	270	0,238872
15,622	537,2	537,3	95,14	95,74	0,166	0,170	271	0,2408231
15,530	537,3	537,3	96,17	96,30	0,165	0,171	272	0,2392955
15,534	537,3	537,3	98,71	96,16	0,167	0,170	273	0,2392956
15,606	537,4	537,4	96,73	96,45	0,168	0,171	274	0,2403537
15,604	537,4	537,4	97,68	96,17	0,168	0,171	275	0,2403533
15,506	537,4	537,5	96,13	96,56	0,167	0,171	276	0,2388716
15,574	537,4	537,4	97,42	96,34	0,166	0,171	277	0,2399307
15,573	537,3	537,4	98,28	96,03	0,169	0,171	278	0,23993
15,531	537,3	537,4	96,41	96,14	0,168	0,170	279	0,239295
15,503	537,3	537,4	98,75	96,37	0,168	0,170	280	0,2388711
15,501	537,3	537,4	98,68	96,29	0,169	0,170	281	0,2388705
15,528	537,3	537,4	98,37	96,61	0,169	0,171	282	0,2392943
15,596	537,2	537,4	95,75	96,18	0,167	0,171	283	0,2403527
15,622	537,2	537,4	97,25	95,88	0,167	0,171	284	0,2407739
15,496	537,2	537,4	98,39	95,89	0,169	0,170	285	0,2388708
15,592	537,2	537,3	96,05	96,38	0,167	0,171	286	0,2403522
15,521	537,2	537,3	98,28	96,16	0,168	0,171	287	0,2392941
15,494	537,1	537,3	96,96	96,51	0,168	0,171	288	0,2388698
15,453	537,1	537,2	98,85	96,69	0,168	0,171	289	0,2382312
15,751	537,0	537,2	96,09	94,74	0,169	0,170	290	0,2428717
15,537	537,1	537,2	96,17	96,12	0,167	0,170	291	0,2395747
15,490	537,0	537,2	98,23	96,11	0,167	0,170	292	0,2388697
15,490	536,9	537,1	97,61	96,29	0,168	0,170	293	0,2388693
15,489	536,9	537,1	96,43	96,81	0,167	0,171	294	0,2388693
15,517	536,9	537,0	98,02	95,90	0,167	0,171	295	0,2392936
15,583	536,8	537,0	96,31	96,10	0,168	0,171	296	0,2403512
15,561	536,8	537,0	95,74	96,06	0,166	0,171	297	0,239929

15,523	536,9	537,0	97,21	96,44	0,166	0,171	298	0,2392934
15,524	536,9	537,0	98,09	95,98	0,168	0,170	299	0,2392934
15,593	537,0	537,1	98,39	95,52	0,169	0,170	300	0,2403517
15,525	537,0	537,0	96,88	96,27	0,168	0,170	301	0,2392928
15,563	536,9	537,0	98,12	95,78	0,168	0,170	302	0,2399276
15,570	536,9	537,0	97,86	95,94	0,169	0,170	303	0,2400487
15,519	536,9	537,0	98,58	96,02	0,169	0,170	304	0,2392925
15,615	536,9	537,0	97,98	95,44	0,170	0,170	305	0,2407717
15,517	536,8	537,0	98,05	96,03	0,169	0,170	306	0,2392922
15,557	536,8	537,0	95,75	96,39	0,167	0,171	307	0,2399273
15,558	536,7	536,9	98,11	95,83	0,167	0,171	308	0,2399268
15,557	536,7	536,9	98,38	95,67	0,170	0,170	309	0,2399269
15,514	536,6	536,8	98,50	95,91	0,170	0,170	310	0,2392921
15,607	536,6	536,8	98,28	95,16	0,170	0,170	311	0,2407705
15,553	536,6	536,8	97,69	96,17	0,169	0,170	312	0,2399271
15,485	536,5	536,8	98,51	96,38	0,169	0,171	313	0,2388678
15,553	536,5	536,7	97,60	96,14	0,169	0,171	314	0,239926
15,512	536,4	536,7	98,45	96,02	0,169	0,171	315	0,2392907
15,579	536,4	536,6	98,48	95,25	0,170	0,170	316	0,2403489
15,509	536,4	536,6	96,29	97,04	0,168	0,171	317	0,2392913
15,438	536,3	536,6	97,17	96,93	0,166	0,172	318	0,2382277
15,669	536,3	536,5	96,30	95,42	0,167	0,171	319	0,2418209
15,581	536,4	536,6	95,99	96,33	0,167	0,171	320	0,2403492
15,583	536,4	536,6	96,01	96,15	0,166	0,171	321	0,2403482
15,613	536,5	536,6	97,97	95,36	0,168	0,171	322	0,2407698
15,516	536,5	536,6	98,28	96,06	0,169	0,170	323	0,2392903
15,610	536,5	536,6	96,95	95,70	0,169	0,170	324	0,2407695
15,610	536,4	536,6	97,70	95,77	0,169	0,171	325	0,2407704
15,678	536,4	536,6	95,28	95,75	0,167	0,171	326	0,2418205
15,772	536,4	536,6	96,77	94,39	0,168	0,171	327	0,2432849
15,511	536,3	536,5	98,81	96,07	0,170	0,170	328	0,23929
15,606	536,3	536,5	96,21	96,00	0,168	0,171	329	0,2407693
15,672	536,2	536,5	97,45	95,24	0,168	0,171	330	0,2418202
15,665	536,2	536,4	95,23	95,79	0,168	0,171	331	0,2417204
15,577	536,2	536,4	96,23	96,10	0,166	0,171	332	0,2403481
15,478	536,2	536,4	98,80	96,15	0,168	0,171	333	0,2388651
15,601	536,1	536,3	95,87	96,03	0,168	0,171	334	0,2407688
15,478	536,1	536,3	98,55	96,29	0,168	0,171	335	0,2388653
15,476	536,1	536,3	96,11	96,55	0,167	0,171	336	0,238865
15,502	536,0	536,3	97,55	96,30	0,167	0,171	337	0,2392885
15,474	536,0	536,2	96,86	96,94	0,167	0,171	338	0,2388643
15,502	536,0	536,2	96,27	96,85	0,166	0,172	339	0,2392888
15,662	535,9	536,2	95,22	95,40	0,166	0,171	340	0,2418188
15,500	535,9	536,2	97,26	96,18	0,167	0,171	341	0,2392884
15,543	535,9	536,2	98,65	95,79	0,169	0,171	342	0,2399235
15,833	536,0	536,2	95,53	94,32	0,169	0,171	343	0,2443239
15,605	536,0	536,2	98,37	95,49	0,169	0,171	344	0,2407682
15,576	536,1	536,2	98,26	95,57	0,170	0,170	345	0,2403464
15,577	536,1	536,2	95,77	96,00	0,168	0,171	346	0,2403453
15,481	536,1	536,2	97,21	96,35	0,166	0,171	347	0,2388642
15,480	536,0	536,2	97,84	96,60	0,168	0,171	348	0,2388744
15,505	536,0	536,2	98,96	96,17	0,169	0,171	349	0,2392873
15,473	535,9	536,2	97,68	96,33	0,169	0,171	350	0,2388639
15,736	535,9	536,1	96,22	94,87	0,168	0,171	351	0,2428629
15,503	535,9	536,1	98,63	95,81	0,169	0,170	352	0,2392882
15,501	535,9	536,1	96,40	96,47	0,168	0,171	353	0,2392875
15,664	535,8	536,0	96,34	95,61	0,167	0,171	354	0,2418182
15,662	535,7	536,0	96,85	95,16	0,168	0,171	355	0,2418175
15,729	535,7	535,9	95,24	95,33	0,168	0,171	356	0,2428648
15,565	535,6	535,9	97,64	96,07	0,168	0,171	357	0,2403454
15,536	535,6	535,8	98,31	95,93	0,169	0,171	358	0,2399222

15,535	535,5	535,8	98,36	96,13	0,170	0,171	359 0,2399219
15,563	535,5	535,8	95,88	96,13	0,168	0,171	360 0,2403451
15,560	535,5	535,7	95,72	96,32	0,166	0,172	361 0,2403199
15,751	535,5	535,7	95,55	95,14	0,167	0,172	362 0,2432819
15,568	535,5	535,7	98,55	95,78	0,169	0,171	363 0,2403449
15,540	535,6	535,7	98,08	96,41	0,170	0,171	364 0,2399215
15,735	535,7	535,8	97,56	94,77	0,170	0,171	365 0,2428641
15,732	535,7	535,8	95,34	94,73	0,169	0,171	366 0,2428761
15,665	535,7	535,9	98,16	95,02	0,169	0,170	367 0,2418173

Average	Average	Average						Average
16,00	Inlet +	Inlet +						0,249
	Outlet	Outlet	Average	Average	#1	#2		
Tunnel	Temp.	Temp.	100,66	101,79	System 1	System 2		SQRT
Velocity	Meter 1	Meter 2	Proportional Rates		Vol.Std.	Vol.Std.		Delta-P
			PR1	PR2			Time	
Ft/Sec	Deg. R	Deg. R	%	%	(ft3)	(ft3)	min	(in H2O)2
15,901	536,9	536,9			0,156	0,171	0	0,2288861
15,456	536,9	536,8	107,03	116,22	0,156	0,171	1	0,2277758
15,198	536,9	536,8	107,77	117,03	0,156	0,171	2	0,225089
15,264	536,9	536,8	114,64	119,02	0,161	0,171	3	0,2246379
16,186	536,8	536,8	113,16	112,48	0,168	0,172	4	0,2373712
16,095	536,7	536,7	110,72	109,61	0,172	0,171	5	0,2399222
15,943	536,6	536,7	108,28	106,67	0,173	0,171	6	0,2418187
15,758	536,5	536,6	107,39	106,97	0,172	0,171	7	0,2403462
16,073	536,5	536,6	105,46	103,98	0,172	0,171	8	0,2457588
16,004	536,5	536,6	105,42	104,48	0,172	0,171	9	0,2449446
15,946	536,5	536,6	104,24	104,85	0,171	0,172	10	0,2443228
15,964	536,5	536,7	103,31	104,66	0,169	0,172	11	0,2449447
15,955	536,5	536,6	105,16	104,46	0,171	0,172	12	0,2449449
15,966	536,5	536,6	105,26	103,72	0,172	0,171	13	0,2453588
15,982	536,4	536,6	104,55	103,71	0,172	0,171	14	0,2457717
15,973	536,4	536,6	104,50	103,48	0,172	0,171	15	0,2457715
15,782	536,4	536,6	106,09	104,67	0,172	0,171	16	0,2428669
16,074	536,5	536,6	103,70	102,97	0,172	0,171	17	0,2474764
16,023	536,5	536,6	102,82	103,53	0,171	0,172	18	0,2468017
16,151	536,6	536,7	102,03	102,72	0,170	0,172	19	0,2488495
16,172	536,6	536,7	102,43	102,08	0,171	0,172	20	0,2492566
16,167	536,6	536,7	102,09	102,04	0,171	0,172	21	0,249257
16,127	536,5	536,7	102,15	102,07	0,171	0,171	22	0,2488493
16,121	536,5	536,7	100,25	102,81	0,169	0,172	23	0,2488502
15,965	536,6	536,7	101,31	103,59	0,168	0,173	24	0,2463903
15,959	536,7	536,8	101,88	102,97	0,168	0,172	25	0,2463912
16,184	536,7	536,8	102,14	101,44	0,170	0,171	26	0,2498674
16,172	536,7	536,8	101,62	101,52	0,171	0,171	27	0,2498674
16,103	536,7	536,8	100,21	102,18	0,169	0,172	28	0,2488497
16,070	536,7	536,8	102,61	101,59	0,170	0,171	29	0,2484409
16,060	536,7	536,8	100,08	102,38	0,169	0,171	30	0,2484416
15,948	536,6	536,8	102,63	102,61	0,169	0,172	31	0,2468026
15,956	536,7	536,8	100,99	103,55	0,169	0,172	32	0,2468019
15,955	536,7	536,8	100,97	103,62	0,168	0,173	33	0,2468022
15,990	536,8	536,9	100,31	102,70	0,167	0,173	34	0,2474184
16,103	536,8	536,9	99,70	102,42	0,167	0,172	35	0,2492577
16,063	536,8	536,9	101,81	101,93	0,169	0,172	36	0,2487791
16,034	536,7	536,8	99,64	102,22	0,169	0,172	37	0,2484418
15,856	536,7	536,8	101,10	103,16	0,167	0,172	38	0,2457707
16,077	536,6	536,8	100,18	101,58	0,168	0,172	39	0,2492571
15,969	536,7	536,8	100,46	102,83	0,168	0,172	40	0,2474185
15,770	536,8	536,9	101,74	103,68	0,168	0,172	41	0,2443229
15,968	536,8	536,9	100,44	102,83	0,168	0,172	42	0,2474187
15,957	536,8	536,9	102,57	101,94	0,169	0,172	43	0,2474185
16,046	536,8	536,9	101,89	101,56	0,171	0,171	44	0,2488504
16,014	536,7	536,9	101,01	102,19	0,170	0,172	45	0,2484415
16,032	536,6	536,8	101,61	101,18	0,170	0,172	46	0,2488502
15,739	536,6	536,8	102,53	103,64	0,170	0,171	47	0,2443226
15,912	536,6	536,8	102,04	102,88	0,170	0,172	48	0,2468026
15,844	536,7	536,9	100,59	103,12	0,168	0,172	49	0,2457724
16,038	536,7	536,9	99,78	101,65	0,167	0,172	50	0,2488501
16,006	536,8	536,9	102,08	101,71	0,169	0,172	51	0,2484341
16,029	536,7	536,9	99,03	101,63	0,169	0,172	52	0,2488502
16,050	536,7	536,9	100,58	101,52	0,168	0,172	53	0,2492575

16,043	536,6	536,8	98,77	101,51	0,168	0,172	54	0,2492572
16,039	536,6	536,8	101,42	101,33	0,169	0,172	55	0,2492561
15,892	536,6	536,8	102,86	102,52	0,171	0,172	56	0,2468027
16,028	536,6	536,8	99,58	101,75	0,169	0,172	57	0,2488144
16,090	536,6	536,9	99,33	101,15	0,168	0,172	58	0,249867
16,019	536,7	536,9	100,89	101,99	0,169	0,172	59	0,2488495
15,990	536,6	536,8	101,92	101,45	0,170	0,172	60	0,2484413
15,986	536,6	536,8	100,77	102,40	0,170	0,172	61	0,248441
16,032	536,6	536,8	101,38	101,51	0,170	0,173	62	0,2492571
16,002	536,5	536,7	99,41	101,80	0,169	0,172	63	0,2488493
16,041	536,5	536,8	101,87	101,31	0,170	0,172	64	0,2492568
15,930	536,6	536,8	102,57	101,99	0,172	0,172	65	0,2474179
15,991	536,6	536,8	101,46	101,29	0,171	0,171	66	0,2484411
16,142	536,6	536,8	100,94	100,50	0,171	0,171	67	0,2508805
16,010	536,6	536,8	100,61	100,85	0,170	0,171	68	0,2488503
16,031	536,6	536,8	99,13	101,51	0,168	0,171	69	0,2492572
15,974	536,6	536,8	99,47	101,51	0,167	0,172	70	0,2484419
16,064	536,5	536,8	98,72	101,30	0,167	0,172	71	0,2498674
15,876	536,6	536,8	99,88	102,40	0,167	0,172	72	0,2468026
16,053	536,6	536,8	100,94	101,51	0,168	0,172	73	0,2492557
15,887	536,6	536,8	102,25	102,14	0,170	0,172	74	0,2468021
16,039	536,6	536,8	101,62	101,29	0,171	0,171	75	0,2492572
16,168	536,6	536,8	100,39	100,44	0,171	0,172	76	0,2512839
16,006	536,6	536,8	101,73	101,69	0,171	0,172	77	0,2488506
16,133	536,6	536,8	98,76	100,99	0,169	0,172	78	0,2508796
16,064	536,5	536,7	98,55	101,07	0,167	0,172	79	0,2498666
15,847	536,5	536,8	103,11	102,38	0,169	0,172	80	0,2463908
16,000	536,6	536,8	101,53	102,73	0,171	0,172	81	0,2484414
16,113	536,6	536,9	101,14	101,17	0,171	0,173	82	0,2502731
16,016	536,7	536,9	99,54	101,59	0,169	0,172	83	0,2488499
15,989	536,7	536,9	99,71	101,44	0,167	0,172	84	0,2484414
16,080	536,7	536,9	98,99	101,30	0,167	0,172	85	0,2498668
16,035	536,6	536,8	98,84	101,38	0,167	0,172	86	0,2492571
16,032	536,6	536,8	100,90	101,70	0,168	0,172	87	0,2492568
16,034	536,5	536,8	100,20	101,64	0,170	0,172	88	0,2492568
15,801	536,6	536,8	103,01	102,98	0,170	0,172	89	0,2453588
16,099	536,6	536,9	99,96	101,80	0,170	0,172	90	0,2498665
16,096	536,7	536,9	99,93	101,01	0,169	0,172	91	0,2498666
16,122	536,7	536,9	98,84	101,19	0,168	0,172	92	0,2502731
16,123	536,7	536,9	98,73	100,97	0,167	0,172	93	0,2502731
16,097	536,7	536,9	100,08	101,01	0,168	0,171	94	0,2498667
16,029	536,7	536,9	101,15	101,49	0,169	0,171	95	0,2488501
15,833	536,6	536,8	100,81	103,16	0,169	0,172	96	0,2457726
15,718	536,6	536,8	103,75	103,58	0,169	0,172	97	0,2439077
15,964	536,7	536,9	100,98	102,00	0,170	0,171	98	0,2474178
16,076	536,7	536,9	101,81	101,97	0,170	0,172	99	0,2492567
16,075	536,7	536,9	100,18	101,34	0,170	0,172	100	0,2492571
16,045	536,7	536,9	99,52	101,73	0,168	0,172	101	0,2488499
16,073	536,7	536,9	101,79	102,08	0,169	0,172	102	0,2492568
16,108	536,7	536,9	100,92	101,97	0,171	0,173	103	0,2498672
16,105	536,7	536,9	101,07	102,03	0,170	0,173	104	0,2498667
16,067	536,7	536,9	100,96	101,44	0,170	0,172	105	0,2492574
16,028	536,7	536,9	100,13	102,24	0,169	0,172	106	0,248441
15,961	536,8	537,0	102,36	102,49	0,169	0,172	107	0,2474179
16,237	536,8	537,0	100,87	100,88	0,171	0,172	108	0,2516874
16,234	536,9	537,0	99,40	100,96	0,170	0,172	109	0,2516877
16,234	536,9	537,0	100,44	101,19	0,170	0,173	110	0,2516876
16,047	536,9	537,0	101,76	101,88	0,171	0,172	111	0,2488495
15,908	536,9	537,0	101,46	102,63	0,170	0,172	112	0,2468021
16,218	536,9	537,0	99,27	100,81	0,169	0,172	113	0,2516876
16,107	536,9	537,0	98,97	100,76	0,168	0,172	114	0,2498672

16,081	536,9	537,1	99,52	101,70	0,167	0,171	115	0,2492571
16,121	537,0	537,1	101,28	101,61	0,169	0,172	116	0,2498673
16,025	537,0	537,2	99,95	101,72	0,169	0,172	117	0,2484416
16,235	537,0	537,2	100,06	100,41	0,169	0,171	118	0,2516883
16,204	537,0	537,2	98,48	100,68	0,168	0,171	119	0,2512852
16,047	537,0	537,2	99,72	101,54	0,167	0,172	120	0,2488506
16,045	537,0	537,2	100,14	101,77	0,168	0,172	121	0,2488508
16,133	537,0	537,2	101,12	101,76	0,170	0,172	122	0,2502738
15,874	537,0	537,2	102,64	102,88	0,171	0,172	123	0,2461226
16,032	537,1	537,2	99,47	101,71	0,169	0,172	124	0,2484422
16,129	537,1	537,3	99,19	101,44	0,167	0,172	125	0,2498674
16,145	537,1	537,3	101,17	101,38	0,169	0,172	126	0,2502741
16,120	537,2	537,3	101,11	101,75	0,171	0,172	127	0,2498677
16,051	537,2	537,3	101,74	101,91	0,171	0,172	128	0,2488509
16,037	537,2	537,3	100,17	101,60	0,169	0,172	129	0,2486387
16,019	537,1	537,3	102,14	102,68	0,170	0,172	130	0,2484419
15,909	537,1	537,2	101,42	102,39	0,170	0,172	131	0,246803
15,793	537,0	537,2	103,48	103,90	0,170	0,172	132	0,2449469
16,128	537,1	537,3	101,56	101,68	0,171	0,172	133	0,2498677
16,031	537,1	537,3	100,35	102,10	0,170	0,172	134	0,248442
16,080	537,2	537,3	99,75	101,51	0,168	0,172	135	0,249258
16,121	537,2	537,4	98,84	100,95	0,167	0,171	136	0,2498681
16,054	537,2	537,3	99,86	101,75	0,167	0,171	137	0,2488509
15,914	537,2	537,3	100,34	102,36	0,167	0,172	138	0,246802
16,049	537,2	537,3	99,71	101,64	0,167	0,171	139	0,2488511
16,109	537,1	537,3	101,39	101,63	0,169	0,172	140	0,2498684
16,128	537,2	537,4	98,71	100,78	0,169	0,172	141	0,2502744
16,040	537,2	537,4	102,04	102,25	0,169	0,172	142	0,2484421
16,150	537,2	537,4	99,15	101,10	0,169	0,172	143	0,2502745
16,082	537,3	537,4	101,35	101,67	0,169	0,172	144	0,2492596
15,855	537,2	537,4	100,70	102,96	0,169	0,172	145	0,2457731
16,212	537,2	537,4	100,60	100,93	0,169	0,172	146	0,2512857
16,209	537,2	537,4	100,11	100,95	0,170	0,172	147	0,2512859
16,049	537,2	537,4	102,21	102,02	0,171	0,172	148	0,2488847
16,020	537,2	537,4	99,73	101,80	0,169	0,172	149	0,2484427
16,137	537,1	537,4	100,92	101,41	0,169	0,172	150	0,2502743
15,923	537,2	537,4	102,52	102,89	0,171	0,172	151	0,2468036
16,053	537,2	537,4	101,88	102,44	0,171	0,173	152	0,2488512
16,087	537,2	537,4	99,76	101,46	0,169	0,172	153	0,2492583
16,122	537,3	537,5	98,97	100,97	0,167	0,171	154	0,2498678
16,083	537,3	537,4	101,93	102,33	0,169	0,172	155	0,2492578
16,148	537,2	537,4	100,73	101,47	0,171	0,173	156	0,2502748
16,117	537,2	537,4	100,61	101,12	0,170	0,172	157	0,2498681
16,141	537,2	537,4	100,12	101,25	0,169	0,172	158	0,2502743
16,113	537,2	537,4	99,18	101,09	0,168	0,172	159	0,2498681
16,049	537,2	537,4	99,51	101,22	0,167	0,171	160	0,2488512
15,971	537,2	537,5	100,01	102,09	0,167	0,171	161	0,2474191
15,974	537,3	537,5	102,42	102,87	0,169	0,172	162	0,2474195
16,131	537,3	537,5	98,82	101,19	0,169	0,172	163	0,2498684
15,971	537,3	537,5	100,49	101,85	0,167	0,171	164	0,2474192
16,126	537,3	537,5	101,55	101,70	0,169	0,171	165	0,2498679
15,967	537,3	537,5	101,22	102,44	0,170	0,172	166	0,2474195
15,928	537,3	537,5	101,06	102,70	0,169	0,172	167	0,2468034
16,058	537,2	537,4	99,70	101,60	0,168	0,172	168	0,2488512
16,212	537,2	537,4	98,64	100,49	0,167	0,171	169	0,2512865
15,897	537,2	537,4	102,63	103,06	0,169	0,172	170	0,2463926
16,158	537,3	537,5	100,48	101,24	0,170	0,172	171	0,2502745
15,845	537,3	537,5	101,12	103,57	0,168	0,172	172	0,2453605
16,064	537,4	537,5	101,45	102,30	0,169	0,172	173	0,2488513
16,156	537,4	537,5	99,10	101,21	0,169	0,172	174	0,2502747
16,156	537,4	537,5	100,36	101,60	0,168	0,172	175	0,2502747

16,085	537,4	537,5	99,45	101,64	0,168	0,172	176	0,2492586
16,056	537,4	537,5	100,74	102,02	0,168	0,172	177	0,248851
16,056	537,3	537,5	101,37	101,76	0,170	0,172	178	0,2488515
15,923	537,3	537,5	100,95	102,27	0,169	0,171	179	0,2468032
15,764	537,3	537,6	103,55	104,40	0,169	0,172	180	0,2443237
15,846	537,4	537,6	100,80	103,07	0,169	0,172	181	0,2453603
16,137	537,4	537,6	98,99	101,25	0,167	0,171	182	0,2498687
15,998	537,5	537,7	99,81	101,99	0,167	0,171	183	0,2477457
16,064	537,5	537,7	101,44	101,78	0,168	0,171	184	0,2488508
16,221	537,4	537,6	100,05	100,77	0,170	0,172	185	0,2512865
16,059	537,4	537,6	99,88	102,03	0,169	0,172	186	0,2488281
15,903	537,4	537,6	102,94	103,18	0,169	0,172	187	0,246392
16,031	537,4	537,6	99,51	101,67	0,169	0,172	188	0,2484451
16,083	537,3	537,6	99,41	101,42	0,167	0,171	189	0,2492567
15,903	537,3	537,6	100,95	102,98	0,167	0,172	190	0,2463919
16,092	537,4	537,6	99,31	101,51	0,167	0,172	191	0,2492576
15,941	537,4	537,6	100,66	103,05	0,167	0,172	192	0,246803
15,977	537,4	537,6	100,62	102,56	0,168	0,172	193	0,2474192
16,069	537,4	537,6	99,63	101,91	0,167	0,172	194	0,2488509
16,132	537,4	537,6	99,07	101,22	0,167	0,172	195	0,2498682
16,091	537,3	537,6	99,34	101,89	0,167	0,172	196	0,2492584
15,969	537,3	537,6	100,42	102,73	0,167	0,172	197	0,247419
16,057	537,3	537,6	99,92	101,24	0,168	0,172	198	0,2488506
16,056	537,3	537,6	99,67	101,68	0,167	0,171	199	0,2488512
16,069	537,4	537,6	99,74	101,71	0,167	0,171	200	0,2488507
15,777	537,4	537,6	103,66	104,07	0,169	0,172	201	0,2443451
15,975	537,5	537,7	102,31	102,77	0,171	0,172	202	0,2474192
16,133	537,5	537,7	99,38	101,50	0,169	0,172	203	0,2498676
16,129	537,4	537,6	99,21	101,13	0,167	0,172	204	0,2498683
15,927	537,4	537,6	102,59	102,46	0,169	0,171	205	0,2468033
16,028	537,4	537,6	99,89	102,03	0,169	0,172	206	0,2484427
15,961	537,4	537,6	99,99	102,42	0,167	0,172	207	0,2474194
15,919	537,3	537,6	102,86	102,65	0,169	0,172	208	0,2468037
16,076	537,3	537,6	99,37	101,30	0,169	0,172	209	0,2492583
15,971	537,4	537,6	101,57	102,76	0,168	0,172	210	0,2474193
16,061	537,5	537,7	99,57	101,79	0,168	0,172	211	0,2488511
16,069	537,5	537,7	99,85	102,35	0,167	0,172	212	0,2489771
15,896	537,5	537,7	102,84	102,98	0,169	0,172	213	0,2463925
16,184	537,5	537,7	101,10	100,86	0,171	0,172	214	0,250881
16,025	537,5	537,7	99,78	102,52	0,169	0,172	215	0,2484423
15,729	537,4	537,7	103,87	103,75	0,169	0,172	216	0,2439086
15,908	537,4	537,7	102,62	102,39	0,171	0,172	217	0,2468037
15,948	537,4	537,7	99,85	102,23	0,169	0,172	218	0,24742
16,037	537,4	537,7	100,69	101,42	0,168	0,171	219	0,2488507
15,922	537,4	537,7	100,36	102,65	0,168	0,172	220	0,2468034
15,962	537,4	537,7	101,43	102,86	0,168	0,172	221	0,2474189
16,024	537,5	537,7	102,04	102,00	0,170	0,172	222	0,248442
16,048	537,5	537,7	101,56	101,50	0,171	0,172	223	0,2488509
16,201	537,5	537,7	101,08	100,74	0,171	0,172	224	0,2512862
16,132	537,5	537,7	100,56	100,91	0,171	0,172	225	0,2502747
15,945	537,4	537,7	102,05	102,25	0,170	0,172	226	0,2474192
16,035	537,4	537,7	101,55	102,01	0,171	0,172	227	0,2488511
16,032	537,4	537,7	99,57	101,50	0,169	0,172	228	0,2488507
16,057	537,3	537,6	98,87	101,55	0,167	0,172	229	0,2492587
16,043	537,4	537,7	99,22	102,05	0,167	0,172	230	0,2488509
16,039	537,4	537,7	99,51	102,04	0,167	0,172	231	0,2488509
16,133	537,4	537,7	101,30	101,12	0,169	0,172	232	0,2502686
16,036	537,4	537,7	100,10	101,54	0,170	0,172	233	0,2488505
16,008	537,4	537,7	102,00	101,28	0,170	0,171	234	0,2484443
16,030	537,4	537,7	99,98	101,30	0,170	0,171	235	0,248851
16,080	537,4	537,7	101,04	101,11	0,169	0,171	236	0,2496929

16,180	537,4	537,7	99,40	100,71	0,170	0,172	237	0,2512859
16,152	537,3	537,6	100,55	100,53	0,170	0,172	238	0,2508814
16,084	537,3	537,6	100,45	101,48	0,170	0,172	239	0,2498679
15,776	537,3	537,6	100,94	103,45	0,168	0,172	240	0,2449454
15,802	537,3	537,6	100,93	103,24	0,167	0,172	241	0,2453601
16,004	537,4	537,6	99,67	102,12	0,167	0,172	242	0,2484419
16,052	537,4	537,7	99,16	101,77	0,167	0,172	243	0,249258
16,115	537,4	537,6	100,79	101,01	0,169	0,172	244	0,2502745
16,088	537,4	537,6	101,23	101,16	0,171	0,172	245	0,2498684
15,925	537,3	537,6	102,09	102,08	0,171	0,172	246	0,2474197
15,814	537,2	537,5	102,57	102,49	0,171	0,171	247	0,2457734
15,852	537,2	537,5	102,15	102,38	0,170	0,171	248	0,2463922
15,981	537,2	537,5	101,43	101,62	0,170	0,172	249	0,2484427
15,891	537,3	537,6	102,66	102,13	0,171	0,171	250	0,2468034
16,047	537,3	537,6	101,04	101,26	0,171	0,171	251	0,249258
15,972	537,4	537,6	100,65	102,32	0,169	0,172	252	0,2480799
16,044	537,4	537,6	101,15	101,43	0,170	0,172	253	0,2492577
15,924	537,4	537,6	99,87	102,44	0,169	0,172	254	0,2474186
16,013	537,4	537,6	99,52	101,71	0,167	0,172	255	0,2488505
16,010	537,3	537,6	100,19	101,43	0,168	0,172	256	0,2488508
16,032	537,3	537,6	101,13	101,10	0,170	0,171	257	0,249258
16,069	537,3	537,6	98,55	101,71	0,169	0,172	258	0,2498681
16,067	537,2	537,5	99,02	101,26	0,167	0,172	259	0,2498679
15,852	537,3	537,6	100,51	102,88	0,167	0,172	260	0,2463925
16,011	537,3	537,6	98,74	102,10	0,167	0,173	261	0,248851
16,144	537,4	537,6	100,61	100,59	0,168	0,172	262	0,2508809
16,008	537,3	537,6	99,58	101,48	0,169	0,172	263	0,248851
15,875	537,3	537,6	102,53	101,89	0,169	0,171	264	0,246806
15,912	537,3	537,6	102,12	101,90	0,171	0,171	265	0,2474195
16,064	537,3	537,6	98,88	101,50	0,169	0,172	266	0,2498329
16,090	537,3	537,6	98,56	101,45	0,167	0,173	267	0,2502741
16,022	537,2	537,6	100,85	101,20	0,169	0,172	268	0,2492579
16,085	537,2	537,5	99,23	100,70	0,169	0,172	269	0,2502742
15,747	537,3	537,6	100,84	103,44	0,168	0,172	270	0,2449457
15,977	537,3	537,6	101,80	101,52	0,169	0,172	271	0,2484419
16,072	537,3	537,6	101,19	100,81	0,171	0,171	272	0,2498678
16,028	537,4	537,6	101,28	100,94	0,171	0,171	273	0,249258
16,092	537,4	537,6	100,43	100,82	0,170	0,171	274	0,2502738
15,998	537,3	537,6	99,17	102,05	0,169	0,172	275	0,2488511
15,901	537,3	537,6	99,61	102,26	0,167	0,172	276	0,2474192
16,057	537,3	537,6	98,59	101,31	0,167	0,172	277	0,2498682
16,013	537,3	537,6	100,97	101,02	0,169	0,172	278	0,2492139
16,051	537,3	537,6	100,85	100,39	0,171	0,171	279	0,2498678
16,074	537,3	537,6	98,37	101,06	0,169	0,172	280	0,2502741
15,911	537,3	537,6	102,37	101,91	0,169	0,172	281	0,2474185
16,027	537,4	537,7	100,74	101,45	0,171	0,172	282	0,2492581
15,868	537,4	537,7	101,36	102,24	0,170	0,172	283	0,2468039
16,061	537,4	537,6	100,48	101,39	0,170	0,172	284	0,2498682
16,019	537,3	537,6	98,90	101,68	0,168	0,172	285	0,2492584
15,963	537,3	537,6	101,94	101,41	0,169	0,172	286	0,2484419
16,077	537,3	537,6	98,84	101,17	0,170	0,172	287	0,2502743
16,075	537,3	537,6	98,38	100,97	0,167	0,172	288	0,2502746
16,048	537,2	537,6	99,20	100,82	0,167	0,172	289	0,2498675
15,978	537,2	537,6	99,00	101,41	0,167	0,172	290	0,2488507
16,025	537,3	537,6	99,91	101,78	0,168	0,172	291	0,2492579
15,993	537,3	537,6	101,22	101,31	0,170	0,172	292	0,2488512
15,995	537,4	537,6	101,37	101,29	0,171	0,172	293	0,2488508
15,992	537,4	537,6	101,20	101,19	0,171	0,171	294	0,248851
16,017	537,4	537,6	101,07	100,63	0,171	0,171	295	0,2492714
16,078	537,3	537,6	98,93	100,87	0,169	0,171	296	0,2502742
15,982	537,3	537,6	101,01	101,00	0,169	0,172	297	0,2488512

15,886	537,2	537,6	101,68	101,67	0,170	0,171	298	0,2474191
16,042	537,2	537,5	98,67	101,17	0,169	0,172	299	0,2498675
16,068	537,2	537,5	98,70	100,77	0,167	0,172	300	0,2502736
15,831	537,3	537,6	102,18	102,78	0,169	0,172	301	0,2463919
15,893	537,3	537,6	99,80	102,25	0,169	0,172	302	0,2474194
15,991	537,3	537,6	100,61	101,01	0,168	0,172	303	0,2488503
16,077	537,3	537,6	100,95	100,92	0,170	0,172	304	0,2502742
16,074	537,3	537,6	100,74	100,88	0,171	0,172	305	0,2502743
16,109	537,3	537,6	98,02	100,56	0,169	0,172	306	0,2508815
16,041	537,3	537,6	98,60	101,17	0,167	0,172	307	0,2498676
15,951	537,3	537,6	101,51	101,30	0,169	0,172	308	0,2485003
15,945	537,3	537,6	101,25	101,51	0,171	0,172	309	0,2484422
15,970	537,3	537,6	99,67	100,86	0,169	0,171	310	0,2488508
15,748	537,3	537,6	101,77	103,25	0,169	0,172	311	0,2453609
16,013	537,4	537,6	98,76	101,38	0,168	0,172	312	0,2492577
16,115	537,4	537,7	99,79	100,92	0,168	0,172	313	0,2508815
15,982	537,4	537,7	101,14	101,27	0,170	0,172	314	0,2488507
16,107	537,4	537,7	98,22	100,33	0,169	0,172	315	0,2508813
15,883	537,4	537,6	99,84	102,08	0,167	0,172	316	0,2474191
15,878	537,3	537,6	101,86	102,51	0,169	0,172	317	0,2474194
15,943	537,3	537,6	99,17	101,16	0,169	0,172	318	0,2484496
15,990	537,3	537,6	100,94	100,88	0,169	0,171	319	0,2492583
15,964	537,2	537,6	99,32	100,92	0,169	0,171	320	0,2488512
16,027	537,2	537,6	100,80	100,96	0,169	0,172	321	0,249868
15,662	537,3	537,6	102,59	103,80	0,170	0,172	322	0,2439092
15,881	537,3	537,6	101,99	101,81	0,170	0,172	323	0,2474191
15,952	537,3	537,6	99,31	101,12	0,169	0,171	324	0,2484428
16,040	537,3	537,6	100,85	100,82	0,169	0,171	325	0,2498682
15,945	537,3	537,6	99,63	100,89	0,169	0,171	326	0,2484407
16,059	537,3	537,6	100,69	100,55	0,169	0,171	327	0,2502742
15,991	537,3	537,6	101,08	101,10	0,171	0,172	328	0,2492583
15,709	537,2	537,5	102,65	102,65	0,171	0,172	329	0,2449459
15,959	537,2	537,5	99,25	100,95	0,169	0,171	330	0,2488509
16,086	537,2	537,5	98,44	99,96	0,168	0,171	331	0,2508811
16,123	537,2	537,5	98,35	100,22	0,168	0,171	332	0,2512862
16,037	537,3	537,6	100,94	100,85	0,169	0,172	333	0,2498682
15,999	537,3	537,6	98,93	101,08	0,169	0,172	334	0,2492579
15,995	537,3	537,6	99,71	100,89	0,168	0,172	335	0,2492582
16,057	537,3	537,6	100,05	100,53	0,169	0,171	336	0,2502743
16,056	537,3	537,6	99,05	100,65	0,169	0,172	337	0,2502742
15,987	537,3	537,6	99,14	100,84	0,168	0,172	338	0,2492578
15,931	537,3	537,6	100,38	100,98	0,168	0,171	339	0,2484427
16,020	537,3	537,5	101,21	101,24	0,170	0,172	340	0,2498681
15,978	537,2	537,5	99,15	100,76	0,170	0,172	341	0,2492584
16,086	537,3	537,5	100,20	100,68	0,169	0,172	342	0,2508814
15,840	537,3	537,5	100,31	102,30	0,169	0,172	343	0,2468034
16,035	537,3	537,5	98,93	100,86	0,168	0,172	344	0,2498682
15,835	537,3	537,5	101,95	102,02	0,169	0,172	345	0,2468031
16,029	537,3	537,5	100,00	100,75	0,170	0,172	346	0,2498682
16,051	537,3	537,5	99,14	100,52	0,169	0,172	347	0,2502744
16,087	537,2	537,5	100,52	100,50	0,170	0,172	348	0,2508814
16,020	537,3	537,5	100,92	101,23	0,171	0,172	349	0,2498683
15,923	537,2	537,5	98,98	100,93	0,169	0,172	350	0,2484419
15,923	537,2	537,5	99,47	101,35	0,167	0,171	351	0,2484425
15,856	537,2	537,5	99,36	101,34	0,167	0,171	352	0,2474188
16,034	537,2	537,5	98,79	100,74	0,167	0,171	353	0,2498681
15,834	537,2	537,5	99,70	101,53	0,167	0,171	354	0,246803
15,831	537,3	537,5	101,76	102,44	0,169	0,172	355	0,2468033
16,049	537,3	537,5	100,24	100,82	0,170	0,172	356	0,2502741
15,956	537,2	537,5	101,31	101,83	0,171	0,172	357	0,248851
15,956	537,2	537,5	101,13	101,29	0,171	0,172	358	0,2488853

15,977	537,2	537,5	101,27	101,64	0,171	0,172	359	0,2492577
16,039	537,2	537,5	98,01	100,12	0,169	0,172	360	0,2502741
16,010	537,1	537,5	100,14	100,93	0,168	0,172	361	0,2498679
15,847	537,1	537,4	99,31	101,56	0,168	0,172	362	0,2473438
15,963	537,2	537,5	101,01	101,54	0,169	0,172	363	0,2488522
15,867	537,2	537,5	99,54	101,58	0,169	0,172	364	0,2474192
16,025	537,2	537,5	100,23	101,09	0,168	0,172	365	0,2498675
15,983	537,2	537,5	100,88	101,54	0,170	0,172	366	0,2492573
16,020	537,2	537,5	98,18	100,74	0,169	0,172	367	0,2498673
16,018	537,2	537,5	98,66	100,95	0,167	0,172	368	0,2498881
15,948	537,2	537,5	99,19	101,23	0,167	0,172	369	0,2488503
16,035	537,2	537,5	100,88	100,64	0,170	0,172	370	0,2502742
15,943	537,1	537,5	101,44	101,31	0,171	0,172	371	0,2488508
15,968	537,1	537,5	100,99	101,29	0,171	0,172	372	0,2492581
15,976	537,2	537,5	98,50	100,73	0,169	0,172	373	0,2492574
16,048	537,2	537,5	99,61	100,82	0,168	0,172	374	0,2502745
15,931	537,2	537,5	99,27	100,94	0,168	0,172	375	0,2484418
16,019	537,2	537,5	98,57	100,41	0,167	0,171	376	0,2498679
15,950	537,2	537,5	100,99	101,54	0,169	0,172	377	0,2488509
16,169	537,2	537,5	99,26	100,18	0,170	0,172	378	0,2522928
16,012	537,1	537,4	98,62	100,44	0,169	0,172	379	0,2498678
15,969	537,1	537,4	98,82	100,49	0,167	0,171	380	0,249258
15,912	537,1	537,4	98,55	101,00	0,167	0,171	381	0,2484426
16,068	537,1	537,4	100,23	100,73	0,169	0,172	382	0,2508814
15,940	537,1	537,4	98,55	101,03	0,169	0,172	383	0,2488532
16,048	537,1	537,4	100,77	101,47	0,169	0,172	384	0,2502744
15,952	537,2	537,5	99,63	101,04	0,170	0,172	385	0,2488516
16,109	537,2	537,5	97,81	100,12	0,168	0,172	386	0,2512861
15,920	537,2	537,4	101,33	101,25	0,169	0,172	387	0,2484397
16,036	537,1	537,4	99,91	100,29	0,170	0,172	388	0,2502744
15,943	537,1	537,4	101,20	101,32	0,170	0,172	389	0,2488512
16,005	537,1	537,4	100,54	100,55	0,171	0,172	390	0,2498675
16,030	537,1	537,4	98,85	100,58	0,169	0,172	391	0,250274
15,686	537,1	537,4	102,49	103,03	0,169	0,172	392	0,2449461
15,842	537,1	537,4	99,25	101,65	0,169	0,172	393	0,2474189
15,932	537,1	537,4	101,68	101,67	0,169	0,172	394	0,2484429
16,043	537,2	537,5	100,87	100,63	0,171	0,172	395	0,2502742
15,860	537,2	537,5	99,38	101,85	0,169	0,172	396	0,2474196
15,974	537,2	537,5	100,52	100,71	0,169	0,172	397	0,2492579
16,010	537,2	537,5	99,39	101,17	0,169	0,172	398	0,2498675
15,780	537,2	537,5	100,96	101,79	0,169	0,172	399	0,246315
16,030	537,2	537,5	100,87	100,45	0,170	0,171	400	0,2502737
15,962	537,2	537,4	101,08	101,03	0,171	0,172	401	0,2492576
16,090	537,1	537,4	99,72	99,80	0,171	0,172	402	0,2512852
15,776	537,1	537,4	99,92	101,89	0,169	0,171	403	0,246392
15,696	537,1	537,4	102,79	102,95	0,169	0,172	404	0,2449459
16,039	537,1	537,4	98,97	100,94	0,170	0,172	405	0,250274
15,952	537,2	537,4	99,11	101,45	0,168	0,172	406	0,2488511
15,973	537,1	537,4	100,84	101,53	0,169	0,173	407	0,2492575
15,970	537,2	537,4	98,50	101,26	0,169	0,173	408	0,2492577
16,188	537,1	537,4	99,86	99,79	0,169	0,172	409	0,2526951
16,069	537,1	537,4	100,07	100,64	0,171	0,172	410	0,2508813
16,028	537,1	537,4	99,97	99,95	0,170	0,172	411	0,250284
15,959	537,1	537,4	98,51	101,44	0,168	0,172	412	0,249258
15,997	537,1	537,4	99,64	101,15	0,168	0,173	413	0,2498678
15,961	537,1	537,4	98,84	101,20	0,168	0,172	414	0,2492581
15,824	537,1	537,4	101,75	101,92	0,169	0,172	415	0,2468032
16,040	537,2	537,5	98,44	100,80	0,169	0,172	416	0,2502741
15,973	537,2	537,5	98,81	100,87	0,167	0,172	417	0,2492578
16,101	537,2	537,5	100,48	100,03	0,169	0,172	418	0,2512859
16,097	537,2	537,5	99,93	100,30	0,171	0,172	419	0,2512857

16,030	537,2	537,5	100,41	100,79	0,171	0,172	420	0,2502742
15,999	537,1	537,4	100,55	100,43	0,171	0,172	421	0,2498678
15,959	537,1	537,4	100,85	101,10	0,171	0,172	422	0,2492578
15,995	537,1	537,4	100,85	100,58	0,171	0,172	423	0,2498674
16,058	537,1	537,4	100,66	100,29	0,171	0,172	424	0,2508811
15,917	537,1	537,4	100,88	100,93	0,171	0,172	425	0,248442
16,009	537,1	537,4	100,42	100,57	0,170	0,171	426	0,2498671
16,037	537,2	537,4	98,69	100,32	0,169	0,171	427	0,2502734
15,917	537,2	537,4	99,35	101,78	0,168	0,172	428	0,2484418
15,966	537,1	537,4	99,28	101,34	0,168	0,173	429	0,2492574
16,119	537,1	537,4	97,75	99,86	0,168	0,172	430	0,2516886
15,982	537,1	537,4	98,32	101,22	0,167	0,172	431	0,2496178
15,838	537,1	537,4	99,22	102,01	0,167	0,173	432	0,2474184
16,059	537,1	537,3	98,39	100,15	0,167	0,172	433	0,2508807
15,926	537,1	537,4	99,34	101,35	0,168	0,172	434	0,248851
16,023	537,1	537,4	98,69	100,24	0,168	0,172	435	0,2502741
16,040	537,1	537,4	100,44	100,34	0,169	0,171	436	0,2502741
15,853	537,1	537,4	99,37	102,03	0,169	0,172	437	0,2474187
16,006	537,2	537,4	98,28	100,91	0,167	0,172	438	0,2498683
15,912	537,1	537,4	99,25	101,23	0,167	0,172	439	0,2484423
16,093	537,1	537,4	100,17	100,22	0,169	0,172	440	0,2512858
16,024	537,1	537,3	98,41	100,53	0,169	0,172	441	0,2502746
15,902	537,1	537,3	101,39	100,96	0,169	0,172	442	0,2484425
16,017	537,0	537,3	100,65	100,15	0,171	0,171	443	0,2502739
16,015	537,0	537,3	100,55	99,88	0,171	0,171	444	0,2502743
16,102	536,9	537,2	100,20	99,70	0,171	0,171	445	0,2516884
16,006	537,0	537,3	101,05	100,75	0,171	0,172	446	0,2498542
15,991	537,0	537,3	100,90	100,76	0,171	0,172	447	0,2496976
16,005	537,0	537,3	98,33	100,78	0,169	0,172	448	0,2498684
15,963	537,0	537,3	100,41	100,71	0,168	0,172	449	0,2492578
15,960	537,1	537,4	100,38	100,68	0,170	0,171	450	0,2492581

Average	Average	Average						Average
15,67	Inlet +	Inlet +						0,242
	Outlet	Outlet	Average	Average	#1	#2		
Tunnel	Temp.	Temp.	100,99	100,71	System 1	System 2		SQRT
Velocity	Meter 1	Meter 2	Proportional Rates		Vol.Std.	Vol.Std.		Delta-P
			PR1	PR2			Time	
Ft/Sec	Deg. R	Deg. R	%	%	(ft3)	(ft3)	min	(in H2O)2
15,668	533,8	533,8			0,173	0,171	0	0,2257597
15,299	533,9	533,9	114,01	110,95	0,173	0,171	1	0,2277714
15,471	533,9	533,9	104,95	113,43	0,164	0,171	2	0,2266569
15,769	533,9	533,9	109,10	111,68	0,161	0,172	3	0,2313265
15,667	533,8	533,9	111,57	109,78	0,169	0,172	4	0,2319643
15,799	533,8	533,9	105,03	104,97	0,171	0,172	5	0,2388594
15,474	533,8	533,9	108,14	105,35	0,171	0,172	6	0,2352224
15,565	533,8	533,9	106,81	104,39	0,173	0,171	7	0,2373683
15,636	533,8	533,9	105,96	103,14	0,173	0,171	8	0,238859
15,633	533,8	533,9	105,29	102,90	0,173	0,171	9	0,2392835
15,613	533,8	533,9	102,91	103,55	0,171	0,172	10	0,2392308
15,602	533,7	533,9	105,16	102,90	0,171	0,172	11	0,2392835
15,629	533,7	533,9	103,09	102,83	0,171	0,172	12	0,2399186
15,563	533,7	533,9	104,84	102,91	0,171	0,172	13	0,2388597
15,583	533,7	533,9	104,10	102,96	0,172	0,172	14	0,2392836
15,797	533,7	533,9	102,39	100,99	0,171	0,172	15	0,2428613
15,721	533,7	533,9	103,34	101,26	0,172	0,171	16	0,2418142
15,558	533,7	533,9	104,71	102,46	0,172	0,171	17	0,2392834
15,725	533,7	533,9	102,46	101,55	0,171	0,171	18	0,2418137
15,719	533,7	533,9	103,56	101,23	0,171	0,171	19	0,2418141
15,724	533,7	533,9	103,47	101,46	0,172	0,171	20	0,241845
15,728	533,7	533,9	103,39	101,45	0,172	0,171	21	0,2418143
15,629	533,8	533,9	103,99	101,54	0,172	0,171	22	0,2403416
15,728	533,8	533,9	101,86	101,87	0,171	0,171	23	0,2418143
15,630	533,8	533,9	104,01	101,75	0,171	0,171	24	0,2403418
15,606	533,7	533,9	102,14	102,49	0,170	0,171	25	0,2399188
15,809	533,7	533,9	102,50	101,28	0,170	0,172	26	0,2428615
15,849	533,7	533,9	103,00	101,20	0,172	0,172	27	0,2432788
15,831	533,7	533,9	101,08	101,58	0,170	0,172	28	0,2428614
15,566	533,7	533,9	102,59	103,62	0,168	0,172	29	0,2388598
15,851	533,7	533,9	102,04	101,35	0,169	0,172	30	0,2432778
15,560	533,8	534,0	102,08	103,25	0,169	0,172	31	0,2388597
15,821	533,9	534,0	101,00	101,45	0,168	0,172	32	0,2428619
15,813	533,9	534,0	101,73	101,43	0,169	0,172	33	0,2428613
15,744	533,9	534,0	101,75	101,80	0,169	0,172	34	0,2418144
15,653	533,9	534,0	101,67	103,01	0,169	0,172	35	0,2403416
15,653	533,9	534,1	103,63	102,15	0,170	0,172	36	0,2403417
15,585	533,9	534,0	103,33	103,02	0,171	0,172	37	0,2392835
15,559	533,9	534,0	102,93	102,89	0,169	0,172	38	0,2388597
15,847	533,9	534,0	102,49	100,94	0,170	0,171	39	0,2432778
15,756	534,0	534,1	100,90	102,21	0,169	0,172	40	0,2418138
15,685	534,0	534,1	103,69	102,05	0,170	0,172	41	0,2407629
15,831	534,0	534,1	102,40	101,40	0,171	0,172	42	0,2428605
15,665	534,0	534,1	102,14	102,42	0,170	0,172	43	0,2403417
15,600	534,0	534,1	103,53	103,03	0,169	0,172	44	0,2392838
15,644	534,0	534,1	102,20	102,68	0,169	0,172	45	0,2399185
15,695	534,1	534,2	103,52	102,25	0,170	0,172	46	0,2407623
15,648	534,1	534,2	101,81	102,97	0,169	0,172	47	0,2399184
15,604	534,1	534,2	104,42	102,59	0,170	0,172	48	0,2392836
15,762	534,1	534,2	103,15	101,32	0,171	0,171	49	0,2418138
15,672	534,2	534,2	101,30	102,85	0,169	0,172	50	0,2403414
15,648	534,1	534,2	103,98	102,09	0,169	0,171	51	0,2399139
15,677	534,1	534,2	103,74	101,91	0,171	0,171	52	0,2403414
15,609	534,2	534,3	104,23	102,86	0,171	0,171	53	0,2392839

15,583	534,2	534,3	102,50	103,01	0,170	0,171	54	0,23886
15,684	534,2	534,3	103,97	102,22	0,170	0,171	55	0,2403432
15,674	534,2	534,3	101,55	102,72	0,169	0,172	56	0,2403419
15,697	534,2	534,3	103,81	101,93	0,170	0,172	57	0,2407625
15,645	534,3	534,3	101,82	102,52	0,170	0,171	58	0,2399184
15,675	534,3	534,3	102,54	102,59	0,168	0,172	59	0,2403653
15,595	534,3	534,4	102,23	102,75	0,169	0,172	60	0,2392839
15,696	534,3	534,4	103,77	102,25	0,170	0,172	61	0,2407634
15,649	534,3	534,4	103,88	102,21	0,171	0,171	62	0,2399187
15,682	534,4	534,4	101,93	103,17	0,169	0,172	63	0,2403417
15,570	534,4	534,4	103,81	102,56	0,169	0,172	64	0,2388601
15,756	534,4	534,4	103,44	101,43	0,171	0,171	65	0,2418141
15,567	534,4	534,5	102,41	103,54	0,170	0,172	66	0,2388607
15,641	534,4	534,5	102,09	102,93	0,168	0,172	67	0,2399188
15,694	534,4	534,5	101,52	102,04	0,168	0,172	68	0,2407631
15,649	534,5	534,6	103,57	102,21	0,169	0,171	69	0,2401971
15,654	534,6	534,6	102,47	102,46	0,170	0,172	70	0,2403417
15,752	534,6	534,7	102,64	101,85	0,170	0,172	71	0,2418149
15,584	534,7	534,7	101,88	103,00	0,169	0,172	72	0,2392842
15,590	534,7	534,7	104,09	102,21	0,169	0,171	73	0,2392842
15,755	534,7	534,8	103,42	101,49	0,171	0,171	74	0,241815
15,657	534,7	534,8	101,38	102,28	0,170	0,171	75	0,2403423
15,816	534,6	534,7	102,56	100,76	0,169	0,171	76	0,2428618
15,656	534,6	534,7	102,25	102,87	0,170	0,172	77	0,2403422
15,659	534,6	534,7	103,90	102,41	0,170	0,172	78	0,2403422
15,685	534,6	534,7	103,49	102,21	0,171	0,172	79	0,2407636
15,815	534,6	534,7	101,36	101,64	0,170	0,172	80	0,2428617
15,672	534,6	534,7	102,33	101,51	0,169	0,171	81	0,2407633
15,574	534,6	534,7	101,28	102,84	0,168	0,171	82	0,2392845
15,638	534,6	534,7	103,32	101,89	0,169	0,171	83	0,2403422
15,802	534,6	534,7	102,24	100,86	0,171	0,171	84	0,242862
15,565	534,6	534,7	102,38	103,22	0,170	0,172	85	0,2392843
15,685	534,5	534,7	101,35	101,35	0,168	0,172	86	0,2411594
15,797	534,5	534,7	102,71	100,85	0,170	0,171	87	0,2428617
15,728	534,5	534,7	102,87	101,54	0,171	0,171	88	0,2418148
15,798	534,6	534,7	99,97	100,90	0,169	0,171	89	0,2428622
15,630	534,5	534,7	101,47	102,62	0,167	0,172	90	0,2403423
15,786	534,6	534,7	99,82	101,10	0,167	0,172	91	0,2428455
15,652	534,5	534,7	103,02	101,79	0,169	0,171	92	0,2407643
15,652	534,5	534,7	101,65	102,28	0,170	0,172	93	0,2407639
15,648	534,5	534,7	102,15	101,39	0,169	0,171	94	0,2407638
15,811	534,5	534,7	100,33	101,06	0,169	0,171	95	0,243279
15,617	534,5	534,7	101,15	102,05	0,168	0,172	96	0,2403037
15,526	534,5	534,7	104,18	102,52	0,169	0,171	97	0,2388608
15,524	534,5	534,7	101,95	102,13	0,169	0,171	98	0,238861
15,559	534,5	534,7	102,90	103,16	0,169	0,172	99	0,2392845
15,650	534,6	534,7	102,52	101,58	0,170	0,172	100	0,2407646
15,714	534,6	534,7	102,80	101,73	0,171	0,171	101	0,2418152
15,518	534,6	534,8	104,09	102,88	0,171	0,172	102	0,2388608
15,810	534,6	534,8	102,20	100,78	0,171	0,172	103	0,2432795
15,609	534,6	534,8	102,04	101,46	0,170	0,171	104	0,2403426
15,844	534,5	534,7	101,05	101,02	0,169	0,171	105	0,2439043
15,632	534,6	534,7	102,43	101,31	0,170	0,172	106	0,2407638
15,707	534,6	534,7	100,76	101,13	0,169	0,171	107	0,2418142
15,711	534,6	534,7	100,56	101,19	0,168	0,171	108	0,2418148
15,771	534,6	534,7	99,78	100,71	0,167	0,171	109	0,2428622
15,607	534,6	534,8	101,12	102,15	0,167	0,171	110	0,2403422
15,538	534,6	534,8	103,59	103,10	0,169	0,172	111	0,239284
15,579	534,7	534,8	102,82	102,40	0,170	0,172	112	0,2399188
15,796	534,7	534,8	102,23	100,89	0,171	0,172	113	0,2432786
15,531	534,7	534,9	104,06	102,45	0,172	0,172	114	0,2392754

15,536	534,7	534,9	101,76	101,96	0,170	0,171	115	0,2392849
15,623	534,7	534,9	101,05	101,20	0,168	0,171	116	0,2407635
15,593	534,7	534,9	102,65	102,11	0,169	0,171	117	0,2403425
15,493	534,7	534,9	103,31	102,99	0,170	0,172	118	0,2388602
15,820	534,7	534,9	101,51	100,35	0,171	0,172	119	0,2439042
15,681	534,7	534,9	100,44	100,58	0,169	0,171	120	0,2418149
15,584	534,8	534,9	101,37	101,81	0,168	0,171	121	0,2403429
15,611	534,8	534,9	103,13	101,77	0,170	0,172	122	0,2407637
15,675	534,8	534,9	99,80	101,06	0,169	0,172	123	0,2418148
15,783	534,7	534,9	99,32	99,69	0,167	0,171	124	0,2435036
15,739	534,7	534,9	99,56	100,47	0,167	0,171	125	0,2428631
15,670	534,7	534,9	99,81	100,45	0,167	0,171	126	0,2418155
15,667	534,7	534,9	100,10	100,51	0,167	0,170	127	0,2418176
15,570	534,7	534,8	102,94	101,75	0,169	0,171	128	0,2403429
15,754	534,6	534,8	101,83	100,69	0,171	0,172	129	0,2432794
15,570	534,6	534,8	102,87	101,90	0,171	0,172	130	0,2403433
15,660	534,7	534,8	102,10	101,00	0,171	0,172	131	0,2418007
15,751	534,7	534,8	101,89	100,40	0,171	0,171	132	0,2432793
15,557	534,6	534,8	100,75	101,09	0,169	0,171	133	0,2403425
15,791	534,6	534,8	101,50	100,23	0,169	0,171	134	0,2439043
15,460	534,6	534,8	103,06	102,22	0,171	0,172	135	0,2388712
15,582	534,7	534,8	102,48	101,72	0,170	0,172	136	0,2407639
15,710	534,7	534,9	101,80	100,85	0,171	0,172	137	0,2428626
15,740	534,7	534,9	101,84	100,43	0,171	0,172	138	0,2432798
15,727	534,7	534,9	99,50	99,78	0,169	0,171	139	0,2432791
15,512	534,7	534,9	101,43	101,55	0,168	0,171	140	0,2399211
15,699	534,7	534,9	101,72	100,78	0,170	0,172	141	0,2428629
15,536	534,7	534,9	100,20	101,00	0,169	0,171	142	0,2403433
15,696	534,8	534,9	101,08	100,53	0,168	0,171	143	0,2428626
15,502	534,7	534,9	103,26	101,96	0,171	0,172	144	0,23992
15,520	534,7	534,9	100,23	100,89	0,169	0,171	145	0,2403448
15,778	534,7	534,9	98,84	99,39	0,167	0,171	146	0,2443201
15,754	534,7	534,9	98,76	99,31	0,167	0,171	147	0,2439049
15,682	534,7	534,9	101,57	100,50	0,169	0,171	148	0,2428629
15,513	534,7	534,9	100,63	101,18	0,169	0,171	149	0,2403432
15,699	534,7	534,9	100,63	99,97	0,169	0,171	150	0,2432795
15,528	534,7	534,9	102,00	101,19	0,170	0,171	151	0,2407641
15,531	534,7	534,9	102,23	101,22	0,171	0,172	152	0,2407641
15,691	534,7	534,9	99,20	99,94	0,169	0,171	153	0,2432793
15,425	534,7	534,9	100,35	101,20	0,167	0,171	154	0,2392844
15,684	534,7	534,9	99,26	99,87	0,167	0,171	155	0,2432792
15,491	534,7	534,9	100,24	101,10	0,167	0,171	156	0,2403421
15,583	534,6	534,8	101,94	101,13	0,169	0,172	157	0,2418161
15,681	534,7	534,8	100,81	100,48	0,171	0,172	158	0,2432794
15,646	534,7	534,9	99,36	99,97	0,169	0,172	159	0,2428627
15,711	534,7	534,9	98,96	99,47	0,168	0,171	160	0,2439049
15,580	534,7	534,9	101,66	100,81	0,169	0,172	161	0,2418156
15,708	534,7	534,9	101,12	100,19	0,171	0,172	162	0,2439053
15,570	534,7	534,9	101,56	100,84	0,171	0,172	163	0,2418215
15,776	534,7	534,9	99,15	99,30	0,170	0,172	164	0,2449429
15,730	534,6	534,9	98,59	99,38	0,168	0,171	165	0,2443204
15,766	534,6	534,8	98,47	98,94	0,168	0,171	166	0,2449424
15,724	534,6	534,8	98,92	99,46	0,168	0,171	167	0,2443201
15,815	534,6	534,8	99,89	99,21	0,169	0,172	168	0,2457695
15,788	534,6	534,8	98,15	98,66	0,169	0,172	169	0,2453568
15,718	534,6	534,8	100,66	99,46	0,169	0,171	170	0,2443201
15,621	534,6	534,8	98,49	99,63	0,169	0,171	171	0,2428635
15,458	534,6	534,8	100,47	100,99	0,167	0,171	172	0,2403441
15,700	534,6	534,8	101,07	99,86	0,170	0,172	173	0,2441064
15,485	534,5	534,8	102,16	101,11	0,171	0,172	174	0,2407642
15,617	534,5	534,8	101,12	100,47	0,171	0,172	175	0,242863

15,680	534,5	534,7	100,09	99,36	0,170	0,172	176	0,2439045
15,675	534,5	534,7	98,57	98,78	0,169	0,171	177	0,2439053
15,742	534,5	534,7	97,57	98,90	0,167	0,171	178	0,2449394
15,676	534,5	534,7	100,62	99,97	0,169	0,172	179	0,2439046
15,629	534,5	534,7	99,04	99,63	0,169	0,172	180	0,2432523
15,605	534,5	534,7	99,02	99,81	0,168	0,171	181	0,2428633
15,735	534,5	534,7	98,42	98,95	0,168	0,171	182	0,2449422
15,786	534,5	534,7	97,50	98,47	0,167	0,171	183	0,2457691
15,694	534,5	534,7	98,07	99,15	0,167	0,171	184	0,2443203
15,733	534,5	534,7	98,33	99,01	0,167	0,171	185	0,2449422
15,342	534,5	534,7	102,76	101,81	0,169	0,172	186	0,2388616
15,409	534,5	534,7	102,27	101,38	0,171	0,172	187	0,2399211
15,733	534,5	534,7	97,93	98,72	0,169	0,172	188	0,2449431
15,530	534,5	534,7	101,67	100,46	0,169	0,171	189	0,2418158
15,529	534,5	534,7	99,46	99,98	0,169	0,171	190	0,2418156
15,664	534,5	534,7	98,55	99,05	0,168	0,171	191	0,243905
15,593	534,4	534,7	98,68	99,83	0,167	0,171	192	0,2428626
15,520	534,4	534,7	101,71	100,36	0,169	0,172	193	0,2418167
15,592	534,4	534,6	99,32	100,26	0,170	0,172	194	0,2428625
15,661	534,4	534,6	97,98	99,14	0,167	0,172	195	0,2439046
15,683	534,4	534,6	100,55	99,42	0,169	0,172	196	0,2443199
15,590	534,4	534,6	98,59	99,52	0,169	0,172	197	0,2428645
15,814	534,4	534,6	97,98	98,40	0,168	0,171	198	0,2463884
15,745	534,4	534,6	100,08	98,98	0,170	0,172	199	0,245357
15,652	534,4	534,6	100,66	99,46	0,171	0,172	200	0,2439045
15,611	534,4	534,6	98,92	99,74	0,170	0,172	201	0,24328
15,743	534,4	534,6	97,65	98,57	0,167	0,172	202	0,2453567
15,718	534,4	534,6	97,89	98,70	0,167	0,171	203	0,2449418
15,634	534,4	534,6	98,77	99,20	0,168	0,171	204	0,2436175
15,744	534,4	534,6	98,06	98,88	0,168	0,171	205	0,245356
15,717	534,5	534,7	98,34	99,05	0,168	0,172	206	0,2449423
15,715	534,5	534,7	97,79	98,84	0,168	0,172	207	0,244942
15,650	534,5	534,7	98,52	99,16	0,167	0,171	208	0,2439046
15,741	534,5	534,7	99,67	99,07	0,169	0,172	209	0,2453564
15,677	534,5	534,7	98,80	99,46	0,169	0,172	210	0,2443203
15,672	534,5	534,7	98,06	98,77	0,168	0,172	211	0,2443202
15,811	534,5	534,7	97,61	98,42	0,167	0,171	212	0,2463885
15,766	534,5	534,7	99,96	98,58	0,170	0,172	213	0,24577
15,803	534,4	534,7	98,99	98,19	0,171	0,172	214	0,2463888
15,644	534,4	534,7	100,38	99,01	0,171	0,171	215	0,243906
15,669	534,4	534,6	100,52	99,35	0,171	0,172	216	0,2443199
15,707	534,3	534,6	99,60	99,49	0,171	0,172	217	0,2449426
15,763	534,3	534,6	98,57	99,05	0,170	0,173	218	0,2457692
15,705	534,3	534,6	100,16	99,26	0,170	0,172	219	0,2449425
15,703	534,3	534,6	100,14	99,14	0,171	0,172	220	0,2449429
15,599	534,3	534,6	100,00	99,91	0,171	0,172	221	0,2432802
15,756	534,3	534,5	99,48	98,15	0,170	0,172	222	0,2457695
15,701	534,2	534,5	97,83	98,64	0,169	0,171	223	0,2449482
15,727	534,2	534,5	99,78	99,01	0,169	0,172	224	0,2453567
15,595	534,2	534,5	98,73	99,67	0,169	0,172	225	0,2432801
15,565	534,2	534,5	98,85	99,50	0,168	0,172	226	0,242863
15,755	534,2	534,5	99,50	98,73	0,169	0,172	227	0,2458277
15,655	534,2	534,5	98,16	99,15	0,169	0,172	228	0,2443011
15,495	534,2	534,5	101,58	99,89	0,170	0,172	229	0,2418152
15,720	534,2	534,5	97,30	98,68	0,169	0,171	230	0,2453566
15,430	534,2	534,5	101,02	100,01	0,168	0,171	231	0,2407642
15,586	534,2	534,5	99,83	99,09	0,170	0,171	232	0,2432796
15,628	534,2	534,5	100,82	99,10	0,171	0,171	233	0,2439047
15,708	534,2	534,4	99,86	98,19	0,171	0,171	234	0,2451568
15,718	534,2	534,4	99,77	98,90	0,171	0,171	235	0,2453562
15,749	534,2	534,4	98,39	98,30	0,170	0,172	236	0,2457691

15,655	534,2	534,4	100,39	99,08	0,170	0,171	237	0,2443198
15,718	534,2	534,4	100,36	98,64	0,172	0,172	238	0,2453565
15,719	534,2	534,4	98,04	98,36	0,170	0,171	239	0,2453566
15,715	534,2	534,4	99,21	98,28	0,169	0,171	240	0,2453566
15,623	534,2	534,4	100,32	99,26	0,171	0,171	241	0,2439047
15,809	534,2	534,4	98,74	97,52	0,171	0,171	242	0,2467991
15,783	534,2	534,4	97,79	97,96	0,169	0,171	243	0,2463882
15,557	534,1	534,4	100,13	99,72	0,169	0,172	244	0,2428632
15,783	534,1	534,4	99,58	98,02	0,171	0,172	245	0,246388
15,649	534,1	534,4	100,25	99,12	0,171	0,172	246	0,2443206
15,649	534,1	534,4	97,59	98,85	0,169	0,172	247	0,2443203
15,780	534,1	534,4	97,37	98,87	0,167	0,172	248	0,2463881
15,688	534,1	534,4	99,89	98,32	0,169	0,172	249	0,2449421
15,489	534,1	534,4	99,15	100,00	0,169	0,171	250	0,2418156
15,556	534,1	534,3	100,49	99,46	0,169	0,171	251	0,2428607
15,618	534,1	534,4	100,53	98,73	0,171	0,171	252	0,2439054
15,555	534,1	534,4	101,15	99,37	0,171	0,171	253	0,2428625
15,715	534,1	534,4	97,70	99,11	0,170	0,172	254	0,2453569
15,711	534,1	534,4	100,16	98,24	0,170	0,172	255	0,2453565
15,686	534,1	534,3	98,16	98,83	0,170	0,171	256	0,2449424
15,577	534,1	534,3	100,64	99,06	0,170	0,171	257	0,2432792
15,578	534,1	534,3	98,45	99,36	0,169	0,171	258	0,2432799
15,550	534,1	534,3	100,61	99,99	0,169	0,172	259	0,2428628
15,776	534,1	534,3	96,89	98,62	0,169	0,172	260	0,2463884
15,683	534,1	534,3	97,74	99,08	0,167	0,172	261	0,2449423
15,683	534,1	534,3	98,38	99,04	0,168	0,172	262	0,2449421
15,641	534,1	534,3	98,50	99,09	0,168	0,172	263	0,2443201
15,738	534,1	534,3	97,77	98,82	0,168	0,172	264	0,2457689
15,735	534,1	534,3	99,70	98,34	0,170	0,172	265	0,2457684
15,774	534,0	534,3	98,50	98,46	0,170	0,172	266	0,2463882
15,835	534,0	534,3	96,47	98,20	0,168	0,172	267	0,2474149
15,705	534,0	534,3	98,04	98,72	0,168	0,172	268	0,2453636
15,799	534,0	534,3	97,41	98,02	0,168	0,172	269	0,246799
15,679	534,0	534,2	100,05	98,56	0,170	0,172	270	0,2449422
15,678	534,0	534,2	99,56	98,61	0,171	0,171	271	0,2449418
15,641	533,9	534,2	100,71	98,56	0,171	0,171	272	0,2443197
15,702	533,9	534,2	97,52	99,12	0,170	0,172	273	0,2453561
15,791	533,9	534,2	98,90	97,86	0,169	0,172	274	0,2467537
15,702	533,9	534,2	100,23	98,10	0,171	0,171	275	0,2453565
15,832	533,9	534,2	98,87	97,15	0,172	0,171	276	0,2474157
15,768	533,9	534,2	97,08	98,57	0,169	0,172	277	0,2463883
15,763	533,9	534,1	97,74	98,40	0,168	0,172	278	0,2463971
15,792	533,9	534,1	99,04	97,79	0,170	0,172	279	0,2467991
15,700	533,9	534,1	100,02	98,32	0,171	0,171	280	0,2453564
15,672	533,8	534,1	97,79	98,87	0,170	0,172	281	0,2449439
15,699	533,8	534,1	98,85	98,51	0,169	0,172	282	0,2453559
15,632	533,8	534,1	98,14	99,37	0,169	0,172	283	0,2443197
15,825	533,8	534,1	97,68	97,96	0,168	0,172	284	0,2473351
15,630	533,8	534,1	98,45	99,16	0,169	0,172	285	0,2443195
15,789	533,8	534,1	97,27	98,49	0,168	0,172	286	0,2467991
15,785	533,8	534,1	97,09	98,47	0,168	0,173	287	0,2467988
15,825	533,8	534,1	98,83	97,39	0,169	0,172	288	0,2474146
15,694	533,8	534,1	98,84	98,53	0,170	0,171	289	0,245356

Average	Average	Average						Average
16,26	Inlet +	Inlet +						0,240
	Outlet	Outlet	Average	Average	#1	#2		
Tunnel	Temp.	Temp.	101,18	101,50	System 1	System 2		SQRT
Velocity	Meter 1	Meter 2	Proportional Rates		Vol.Std.	Vol.Std.		Delta-P
			PR1	PR2			Time	
Ft/Sec	Deg. R	Deg. R	%	%	(ft3)	(ft3)	min	(in H2O)2
17,317	533,2	533,2			0,173	0,172	0	0,2123343
16,241	533,6	533,3	112,44	112,07	0,172	0,172	1	0,22844
16,255	533,6	533,4	106,55	107,03	0,170	0,172	2	0,2341414
16,332	533,6	533,4	104,48	104,71	0,169	0,172	3	0,2367272
16,153	533,5	533,4	106,69	105,06	0,171	0,172	4	0,2352226
16,134	533,4	533,4	106,48	104,33	0,173	0,171	5	0,2356529
16,213	533,4	533,4	104,01	103,78	0,172	0,172	6	0,2373688
16,146	533,3	533,3	103,60	103,97	0,170	0,172	7	0,2367266
16,202	533,2	533,3	103,78	103,21	0,170	0,172	8	0,2377966
15,945	533,2	533,3	104,63	105,03	0,170	0,172	9	0,2341418
16,202	533,2	533,3	102,79	103,10	0,170	0,172	10	0,238222
16,097	533,2	533,3	103,31	103,64	0,170	0,172	11	0,2367269
16,080	533,2	533,3	104,24	103,23	0,171	0,172	12	0,2367273
16,175	533,2	533,3	104,07	102,32	0,172	0,171	13	0,2382221
16,171	533,2	533,3	104,44	101,99	0,173	0,171	14	0,2382233
16,102	533,1	533,3	104,61	102,51	0,173	0,171	15	0,2373689
16,206	533,2	533,4	101,69	102,68	0,171	0,172	16	0,2388366
16,217	533,2	533,4	101,50	103,02	0,169	0,173	17	0,2388613
16,247	533,3	533,4	101,60	102,14	0,169	0,172	18	0,2392852
16,173	533,3	533,5	102,76	102,70	0,170	0,172	19	0,2382226
16,286	533,4	533,5	100,83	102,38	0,169	0,172	20	0,2399198
16,241	533,4	533,5	103,25	101,95	0,170	0,172	21	0,2392847
16,316	533,5	533,6	100,76	101,99	0,170	0,172	22	0,2403434
16,218	533,5	533,6	102,21	102,50	0,169	0,172	23	0,2388609
16,218	533,6	533,7	103,16	102,06	0,170	0,172	24	0,238861
16,208	533,6	533,7	102,91	102,20	0,171	0,171	25	0,2388346
16,221	533,7	533,7	101,59	102,11	0,170	0,171	26	0,2388607
16,150	533,7	533,8	101,52	103,11	0,168	0,172	27	0,2377977
16,227	533,8	533,8	103,62	101,86	0,170	0,172	28	0,2388614
16,364	533,8	533,8	100,27	101,99	0,170	0,172	29	0,2407643
16,265	533,8	533,9	100,84	102,29	0,168	0,172	30	0,239285
16,273	533,9	533,9	102,31	102,32	0,169	0,172	31	0,2392852
16,329	533,9	533,9	101,27	102,14	0,169	0,172	32	0,2399203
16,228	533,9	534,0	101,75	103,12	0,168	0,172	33	0,2382228
16,198	534,0	534,0	104,04	102,51	0,170	0,171	34	0,2377975
16,205	534,0	534,0	101,79	103,43	0,170	0,171	35	0,237797
16,214	534,0	534,0	101,96	103,19	0,168	0,172	36	0,2377973
16,327	534,0	534,1	101,75	102,30	0,168	0,171	37	0,2392793
16,088	534,0	534,1	102,87	104,40	0,168	0,172	38	0,2356545
16,242	534,1	534,1	103,50	103,45	0,169	0,172	39	0,2377974
16,219	534,1	534,1	104,32	102,95	0,171	0,171	40	0,2373709
16,231	534,1	534,2	102,84	103,35	0,170	0,171	41	0,2373696
16,295	534,1	534,2	103,22	103,19	0,169	0,171	42	0,2382231
16,298	534,1	534,2	103,96	103,29	0,170	0,172	43	0,2382232
16,245	534,2	534,2	102,08	103,81	0,169	0,172	44	0,2373703
16,352	534,2	534,3	102,48	103,15	0,168	0,172	45	0,2388616
16,367	534,3	534,3	101,74	103,66	0,168	0,172	46	0,2388617
16,399	534,3	534,3	101,36	103,11	0,167	0,172	47	0,2392856
16,275	534,3	534,3	102,82	103,60	0,167	0,171	48	0,2373699
15,958	534,4	534,4	106,95	105,82	0,170	0,171	49	0,2326221
16,297	534,4	534,4	105,02	103,53	0,171	0,171	50	0,2373702
16,397	534,4	534,4	103,76	102,76	0,171	0,171	51	0,2388616
16,181	534,5	534,4	105,90	104,52	0,171	0,171	52	0,2356538
16,324	534,5	534,5	102,47	103,80	0,170	0,171	53	0,237798

16,165	534,5	534,5	102,97	104,91	0,167	0,172	54	0,2356553
16,381	534,5	534,5	103,57	103,43	0,169	0,172	55	0,238862
16,300	534,6	534,5	102,17	104,07	0,169	0,172	56	0,2377977
16,269	534,6	534,6	104,37	103,51	0,169	0,172	57	0,2373707
16,316	534,6	534,6	104,41	103,20	0,171	0,171	58	0,238224
16,247	534,6	534,6	102,74	104,11	0,170	0,172	59	0,2373704
16,248	534,7	534,6	104,67	103,27	0,170	0,172	60	0,2373707
16,298	534,7	534,7	102,52	103,36	0,170	0,171	61	0,2382236
16,070	534,7	534,7	104,86	104,72	0,169	0,172	62	0,2350246
16,323	534,7	534,7	101,29	102,70	0,169	0,171	63	0,2388622
16,239	534,8	534,7	101,79	102,98	0,167	0,171	64	0,2377977
16,338	534,8	534,8	103,24	102,77	0,169	0,171	65	0,2392864
16,230	534,8	534,8	102,80	102,56	0,170	0,171	66	0,2377986
16,245	534,8	534,8	103,87	102,43	0,170	0,171	67	0,2382237
16,138	534,8	534,8	102,18	103,92	0,169	0,171	68	0,2367288
16,170	534,9	534,8	103,91	103,00	0,169	0,172	69	0,2373705
16,265	534,9	534,8	102,36	101,88	0,170	0,171	70	0,2388625
16,213	534,9	534,9	101,22	102,56	0,168	0,171	71	0,2382244
16,175	534,9	534,9	102,85	102,93	0,168	0,171	72	0,2378014
16,174	534,9	534,9	102,27	103,18	0,169	0,172	73	0,2377988
16,266	535,0	534,9	101,10	102,07	0,168	0,172	74	0,2392864
16,231	535,0	534,9	100,29	102,27	0,167	0,171	75	0,2388629
16,218	535,0	535,0	102,60	102,28	0,168	0,172	76	0,2388628
16,237	535,0	535,0	101,31	102,27	0,169	0,172	77	0,239287
16,238	535,0	535,0	100,57	101,73	0,168	0,172	78	0,2392864
16,276	535,0	535,0	102,14	100,79	0,169	0,171	79	0,2399218
16,234	535,1	535,0	100,76	102,41	0,169	0,171	80	0,2392868
16,269	535,1	535,1	102,20	101,24	0,169	0,172	81	0,239922
16,457	535,1	535,1	101,06	99,77	0,171	0,171	82	0,2428651
16,191	535,2	535,1	102,74	101,82	0,171	0,171	83	0,238863
16,259	535,2	535,1	99,76	101,75	0,169	0,172	84	0,2399223
16,418	535,2	535,2	99,05	100,64	0,167	0,172	85	0,2423932
16,204	535,3	535,2	102,52	101,74	0,169	0,172	86	0,2392872
16,198	535,3	535,2	100,33	101,52	0,169	0,171	87	0,2392875
16,438	535,3	535,3	98,41	100,28	0,167	0,171	88	0,2428652
16,237	535,3	535,3	101,85	101,12	0,169	0,171	89	0,2399227
16,159	535,3	535,3	102,65	101,25	0,171	0,171	90	0,2388636
16,224	535,3	535,3	99,84	101,11	0,169	0,171	91	0,2399228
16,147	535,3	535,3	102,46	101,35	0,169	0,171	92	0,2388642
16,273	535,4	535,4	99,28	100,98	0,169	0,171	93	0,2407673
16,246	535,4	535,4	101,64	100,77	0,169	0,171	94	0,2403465
16,408	535,4	535,4	98,67	99,33	0,169	0,171	95	0,2428659
16,237	535,4	535,5	99,59	100,70	0,167	0,171	96	0,2403462
16,233	535,4	535,5	99,50	101,17	0,167	0,171	97	0,240346
16,152	535,4	535,5	99,90	101,18	0,167	0,171	98	0,2392881
16,321	535,4	535,5	99,09	100,33	0,167	0,171	99	0,2418189
16,420	535,4	535,5	98,26	99,65	0,167	0,171	100	0,2432803
16,242	535,4	535,5	99,27	100,56	0,167	0,171	101	0,2407671
16,213	535,4	535,5	98,95	100,47	0,167	0,171	102	0,2403466
16,235	535,4	535,5	101,14	100,59	0,168	0,171	103	0,2407684
16,235	535,4	535,5	101,10	100,38	0,170	0,171	104	0,2407679
16,137	535,4	535,5	102,08	100,89	0,171	0,171	105	0,239289
16,133	535,5	535,5	101,48	101,66	0,170	0,171	106	0,2392884
16,438	535,5	535,6	97,82	99,35	0,169	0,172	107	0,2439085
16,122	535,5	535,6	102,00	101,01	0,169	0,171	108	0,2392885
16,282	535,5	535,6	99,16	99,42	0,170	0,171	109	0,2418187
16,354	535,5	535,6	98,16	99,44	0,168	0,171	110	0,2428658
16,356	535,5	535,6	99,83	99,92	0,168	0,171	111	0,2428666
16,113	535,5	535,6	99,96	101,23	0,169	0,172	112	0,2392884
16,377	535,5	535,6	99,28	99,66	0,168	0,172	113	0,2432832
16,210	535,5	535,6	100,33	100,74	0,169	0,172	114	0,240768

16,107	535,5	535,6	99,64	100,46	0,168	0,171	115	0,2392887
16,374	535,5	535,6	99,87	99,18	0,169	0,171	116	0,2432833
16,415	535,5	535,6	98,49	98,59	0,169	0,171	117	0,2438993
16,207	535,5	535,6	98,81	100,13	0,168	0,171	118	0,2407683
16,197	535,4	535,6	99,23	99,70	0,167	0,171	119	0,2407675
16,176	535,4	535,5	101,38	100,46	0,169	0,171	120	0,2403469
16,340	535,3	535,5	98,13	99,43	0,169	0,171	121	0,2428662
16,364	535,3	535,5	98,57	99,60	0,168	0,172	122	0,2432832
16,169	535,3	535,4	100,35	100,81	0,169	0,172	123	0,2403468
16,341	535,2	535,4	98,09	99,24	0,168	0,171	124	0,2428665
16,106	535,2	535,4	99,55	100,82	0,167	0,171	125	0,2394961
16,342	535,2	535,4	100,60	99,43	0,169	0,171	126	0,2429316
16,365	535,2	535,4	98,34	98,83	0,170	0,171	127	0,2432828
16,192	535,2	535,4	101,52	100,37	0,170	0,171	128	0,2407683
16,138	535,2	535,4	101,72	100,80	0,171	0,171	129	0,239926
16,263	535,2	535,3	98,09	99,77	0,169	0,171	130	0,241819
16,433	535,2	535,3	97,07	98,78	0,166	0,171	131	0,2443232
16,196	535,2	535,3	98,82	100,38	0,167	0,171	132	0,2407675
16,362	535,1	535,3	97,99	99,36	0,167	0,171	133	0,2432826
16,197	535,1	535,3	100,69	100,74	0,169	0,172	134	0,240768
16,072	535,1	535,3	99,51	100,97	0,168	0,171	135	0,2388642
16,339	535,1	535,3	99,90	99,30	0,168	0,171	136	0,2428304
16,140	535,1	535,3	99,30	100,74	0,169	0,171	137	0,239923
16,097	535,1	535,3	101,60	101,09	0,169	0,171	138	0,239288
16,167	535,1	535,3	99,03	99,86	0,169	0,171	139	0,2403428
16,267	535,1	535,3	100,88	100,10	0,169	0,171	140	0,241818
16,196	535,1	535,3	99,71	100,19	0,170	0,171	141	0,240768
16,334	535,1	535,2	97,97	99,48	0,168	0,171	142	0,2428659
16,333	535,0	535,2	98,62	99,46	0,168	0,171	143	0,2428653
16,359	535,1	535,2	98,69	99,10	0,168	0,171	144	0,2432823
16,197	535,1	535,2	100,09	100,54	0,169	0,171	145	0,2407672
16,270	535,1	535,2	100,30	100,29	0,170	0,172	146	0,2418187
16,204	535,0	535,2	100,12	100,11	0,170	0,171	147	0,2407673
16,148	535,0	535,2	101,52	100,82	0,170	0,171	148	0,2399227
16,272	535,0	535,2	98,71	100,10	0,169	0,172	149	0,241818
16,146	535,0	535,2	101,11	100,51	0,169	0,171	150	0,2399228
16,372	535,0	535,1	97,62	98,62	0,168	0,171	151	0,2432823
16,273	535,0	535,1	98,35	99,53	0,167	0,170	152	0,2418183
16,342	535,0	535,1	97,66	99,17	0,167	0,171	153	0,2428656
16,347	534,9	535,1	98,64	99,52	0,167	0,171	154	0,2428648
16,424	535,0	535,1	97,57	98,84	0,167	0,171	155	0,2439079
16,422	535,0	535,1	99,78	99,26	0,169	0,171	156	0,243908
16,154	535,0	535,1	100,58	101,09	0,170	0,172	157	0,2399231
16,277	535,0	535,1	99,97	99,97	0,169	0,172	158	0,2418183
16,275	535,0	535,1	100,54	99,98	0,170	0,171	159	0,2418181
16,446	535,0	535,1	97,71	98,68	0,169	0,171	160	0,2443227
16,343	534,9	535,1	99,29	99,75	0,168	0,171	161	0,2428658
16,202	534,9	535,1	100,77	100,50	0,170	0,172	162	0,2407672
16,275	534,9	535,1	99,78	100,11	0,170	0,172	163	0,2418188
16,414	534,9	535,1	100,09	99,66	0,170	0,172	164	0,2439077
16,147	534,9	535,1	99,57	100,41	0,169	0,172	165	0,239923
16,371	534,9	535,1	100,19	100,03	0,169	0,172	166	0,2432827
16,274	534,9	535,1	99,66	99,97	0,170	0,172	167	0,2418176
16,198	534,9	535,1	99,02	100,20	0,168	0,171	168	0,2407669
16,345	534,9	535,1	99,23	99,70	0,168	0,171	169	0,2428657
16,342	534,9	535,1	100,00	99,76	0,170	0,172	170	0,2428649
16,205	534,8	535,1	101,65	100,95	0,171	0,172	171	0,2407668
16,148	534,8	535,1	99,26	100,27	0,169	0,171	172	0,2399224
16,376	534,8	535,0	100,02	99,56	0,169	0,171	173	0,2432819
16,373	534,8	535,0	98,87	99,13	0,170	0,171	174	0,2432819
16,408	534,9	535,1	97,66	98,63	0,168	0,171	175	0,2439075

16,272	534,9	535,1	98,54	99,55	0,167	0,171	176	0,2418663
16,371	534,9	535,1	100,22	99,63	0,169	0,171	177	0,2432821
16,536	535,0	535,1	96,83	97,95	0,169	0,171	178	0,2457715
16,416	535,0	535,1	97,71	99,02	0,167	0,171	179	0,2439072
16,200	535,0	535,1	98,66	99,87	0,167	0,171	180	0,2407671

Average	Average	Average						Average
15,63	Inlet +	Inlet +						0,244
	Outlet	Outlet	Average	Average	#1	#2		
Tunnel	Temp.	Temp.	100,67	101,02	System 1	System 2		SQRT
Velocity	Meter 1	Meter 2	Proportional Rates		Vol.Std.	Vol.Std.		Delta-P
			PR1	PR2			Time	
Ft/Sec	Deg. R	Deg. R	%	%	(ft3)	(ft3)	min	(in H2O)2
15,517	531,5	531,7			0,174	0,172	0	0,225084
15,210	531,7	531,8	114,39	113,95	0,172	0,172	1	0,2262077
15,223	531,8	531,8	114,72	115,15	0,170	0,173	2	0,2257595
15,965	531,9	531,9	112,43	111,77	0,171	0,173	3	0,2341399
15,733	531,9	532,0	110,35	109,55	0,171	0,172	4	0,2347898
15,710	531,9	532,0	108,88	105,82	0,173	0,172	5	0,2382206
15,709	531,9	532,0	104,24	104,80	0,172	0,173	6	0,2407623
15,547	531,9	532,0	104,27	104,95	0,170	0,173	7	0,2392838
15,510	531,9	532,0	104,59	103,96	0,171	0,173	8	0,2392834
15,575	531,8	532,0	105,41	103,17	0,172	0,172	9	0,2407624
15,724	531,8	532,0	104,58	101,72	0,174	0,172	10	0,2432776
15,488	531,8	532,0	103,82	103,44	0,173	0,172	11	0,2399185
15,695	531,8	532,0	103,76	101,82	0,172	0,172	12	0,2432775
15,686	531,8	532,0	101,66	102,22	0,172	0,173	13	0,2432775
15,519	531,7	532,0	102,68	103,09	0,170	0,173	14	0,2407629
15,650	531,7	532,0	102,05	102,21	0,170	0,173	15	0,2428614
15,419	531,7	532,0	103,77	103,61	0,171	0,173	16	0,2392833
15,654	531,7	532,0	104,10	101,56	0,172	0,172	17	0,2428871
15,571	531,7	532,0	102,32	102,65	0,172	0,172	18	0,2418134
15,700	531,7	532,0	102,75	101,26	0,171	0,173	19	0,243903
15,497	531,7	532,0	101,85	103,37	0,171	0,173	20	0,240762
15,703	531,7	532,0	101,25	101,66	0,169	0,173	21	0,243903
15,465	531,7	532,0	104,31	102,71	0,171	0,172	22	0,2403415
15,744	531,7	532,0	102,33	100,73	0,173	0,172	23	0,2449397
15,754	531,7	532,0	100,97	101,00	0,172	0,172	24	0,2449403
15,649	531,7	532,0	101,16	101,79	0,170	0,173	25	0,2432776
15,550	531,7	532,0	102,16	102,52	0,170	0,173	26	0,2418138
15,551	531,7	532,0	102,00	102,43	0,170	0,173	27	0,2418134
15,781	531,7	532,0	100,49	101,09	0,170	0,173	28	0,2453545
15,642	531,8	532,0	103,16	101,01	0,171	0,172	29	0,2432777
15,440	531,9	532,1	102,45	103,80	0,171	0,173	30	0,2399188
15,649	532,0	532,1	103,21	101,58	0,171	0,173	31	0,2432786
15,491	532,1	532,2	101,99	103,40	0,171	0,173	32	0,2407634
15,564	532,2	532,2	103,66	102,31	0,171	0,173	33	0,2418147
15,559	532,3	532,3	101,46	102,53	0,171	0,173	34	0,2418146
15,652	532,3	532,3	100,70	101,63	0,169	0,173	35	0,2432794
15,633	532,4	532,4	101,66	102,08	0,169	0,173	36	0,2428626
15,657	532,4	532,4	101,57	101,46	0,170	0,172	37	0,24328
15,658	532,5	532,5	102,82	101,51	0,171	0,172	38	0,24328
15,563	532,6	532,5	101,02	102,70	0,170	0,173	39	0,2418164
15,540	532,6	532,5	103,55	102,09	0,170	0,173	40	0,24154
15,436	532,8	532,6	102,14	103,28	0,170	0,172	41	0,2399218
15,650	532,8	532,6	100,41	101,82	0,168	0,173	42	0,2432808
15,568	532,8	532,6	103,22	102,26	0,170	0,173	43	0,2418168
15,656	532,8	532,7	102,45	101,35	0,172	0,172	44	0,2432808
15,626	532,8	532,7	103,06	101,57	0,172	0,172	45	0,2428641
15,655	532,8	532,7	102,64	101,01	0,172	0,172	46	0,2432813
15,623	532,9	532,7	102,85	101,10	0,172	0,171	47	0,242865
15,623	532,9	532,8	100,56	102,37	0,170	0,172	48	0,2428651
15,659	533,0	532,8	102,75	101,60	0,170	0,173	49	0,2432822
15,440	533,0	532,9	101,98	103,06	0,170	0,172	50	0,2399234
15,567	533,0	532,9	103,15	101,73	0,170	0,172	51	0,2418903
15,502	533,1	532,9	103,34	102,58	0,171	0,172	52	0,2407743
15,560	533,2	533,0	103,04	101,78	0,171	0,172	53	0,2418186

15,762	533,2	533,0	100,55	100,67	0,171	0,172	54	0,2449315
15,718	533,2	533,0	99,83	101,11	0,169	0,172	55	0,2443241
15,628	533,3	533,1	100,67	101,74	0,168	0,172	56	0,2428669
15,621	533,4	533,1	102,80	101,32	0,170	0,172	57	0,2428673
15,393	533,4	533,2	101,75	103,56	0,170	0,172	58	0,23929
15,480	533,5	533,2	103,34	101,99	0,170	0,172	59	0,24077
15,640	533,6	533,3	99,97	101,77	0,169	0,172	60	0,2432852
15,527	533,7	533,4	102,60	102,29	0,169	0,173	61	0,2413783
15,690	533,7	533,4	101,91	101,40	0,171	0,172	62	0,2439116
15,695	533,8	533,5	101,63	101,23	0,171	0,172	63	0,2439117
15,626	533,9	533,6	100,60	102,34	0,169	0,173	64	0,2427131
15,789	534,0	533,6	99,09	100,87	0,168	0,173	65	0,2453648
15,755	534,1	533,7	101,75	100,47	0,170	0,172	66	0,2449505
15,760	534,2	533,8	99,67	100,72	0,170	0,172	67	0,2449511
15,688	534,3	533,9	100,29	101,12	0,168	0,172	68	0,2439143
15,684	534,4	533,9	99,66	101,59	0,168	0,172	69	0,2439149
15,643	534,5	534,0	101,22	100,57	0,169	0,172	70	0,2432897
15,773	534,6	534,1	101,29	100,16	0,170	0,171	71	0,2453668
15,642	534,7	534,2	102,11	101,26	0,171	0,172	72	0,2432907
15,639	534,7	534,2	99,18	101,26	0,169	0,172	73	0,2432907
15,715	534,8	534,3	99,19	101,16	0,167	0,172	74	0,2443331
15,712	534,8	534,4	99,32	101,03	0,167	0,172	75	0,2443325
15,786	534,9	534,4	101,27	100,33	0,169	0,172	76	0,2453692
15,487	534,9	534,5	101,11	102,37	0,169	0,172	77	0,2407776
15,558	534,9	534,5	100,11	102,09	0,167	0,172	78	0,2418286
15,652	534,9	534,5	99,56	101,26	0,167	0,172	79	0,2432926
15,651	534,9	534,5	101,00	100,67	0,168	0,171	80	0,2432934
15,498	534,9	534,6	102,77	102,13	0,170	0,171	81	0,2409744
15,801	534,9	534,6	99,95	100,53	0,170	0,172	82	0,245783
15,691	534,9	534,6	99,61	101,20	0,168	0,172	83	0,2439182
15,359	534,9	534,6	103,48	103,28	0,169	0,172	84	0,2388743
15,551	534,9	534,6	102,59	102,21	0,171	0,172	85	0,2418289
15,684	534,9	534,7	101,36	100,36	0,171	0,172	86	0,2439184
15,750	534,9	534,7	101,36	100,67	0,171	0,171	87	0,2449495
15,545	535,0	534,7	102,06	101,49	0,171	0,172	88	0,2418297
15,486	535,0	534,8	102,85	102,11	0,170	0,171	89	0,2407788
15,617	535,0	534,8	100,79	101,95	0,170	0,172	90	0,2428769
15,609	535,0	534,8	99,76	101,69	0,168	0,173	91	0,2428763
15,649	534,9	534,8	101,71	101,30	0,169	0,172	92	0,2432934
15,491	534,9	534,7	102,75	102,14	0,170	0,172	93	0,2407779
15,400	534,9	534,7	103,46	103,15	0,170	0,172	94	0,239305
15,466	534,9	534,8	102,06	102,16	0,170	0,172	95	0,2403572
15,485	534,9	534,8	102,15	102,85	0,169	0,172	96	0,2407784
15,458	535,0	534,8	103,27	102,32	0,170	0,172	97	0,2403562
15,550	535,1	534,9	101,00	101,48	0,170	0,171	98	0,2418289
15,639	535,1	534,9	100,06	101,63	0,168	0,172	99	0,2432931
15,637	535,1	534,9	100,33	100,88	0,168	0,172	100	0,2432928
15,452	535,1	534,9	100,75	102,40	0,168	0,172	101	0,2403567
15,646	535,1	534,9	102,10	101,31	0,169	0,172	102	0,2432933
15,616	535,1	535,0	99,38	101,51	0,169	0,172	103	0,2428762
15,544	535,1	535,0	99,85	101,46	0,166	0,172	104	0,241829
15,639	535,2	535,0	100,66	100,79	0,168	0,171	105	0,2432928
15,686	535,2	535,0	99,69	100,55	0,168	0,171	106	0,2439184
15,614	535,1	535,0	101,03	101,82	0,168	0,172	107	0,2428762
15,615	535,1	535,0	101,73	101,50	0,170	0,172	108	0,2428758
15,641	535,1	535,0	101,37	101,84	0,170	0,173	109	0,2432923
15,615	535,1	535,0	101,78	101,32	0,170	0,172	110	0,2428757
15,429	535,1	535,0	100,67	102,46	0,168	0,172	111	0,2399329
15,678	535,1	535,0	100,41	101,54	0,168	0,172	112	0,2439187
15,457	535,1	535,0	101,09	102,76	0,168	0,173	113	0,2403567
15,390	535,1	535,0	101,81	103,31	0,168	0,172	114	0,2392977

15,618	535,1	535,0	99,61	101,34	0,167	0,172	115	0,2428753
15,392	535,1	535,0	101,23	103,14	0,167	0,172	116	0,2392841
15,692	535,1	535,0	101,87	101,23	0,169	0,172	117	0,2439176
15,567	535,0	535,0	101,36	101,75	0,170	0,172	118	0,241828
15,555	534,9	535,0	102,33	102,45	0,170	0,172	119	0,2418277
15,462	534,8	534,9	102,07	102,61	0,170	0,172	120	0,2403557
15,493	534,8	534,9	100,80	102,38	0,168	0,172	121	0,2407766
15,365	534,8	534,9	103,43	103,38	0,169	0,172	122	0,2388738
15,625	534,8	534,9	102,08	101,78	0,170	0,172	123	0,2428751
15,497	534,8	535,0	103,07	102,98	0,171	0,173	124	0,2407765
15,483	534,8	535,0	100,56	102,54	0,169	0,173	125	0,2407764
15,548	534,8	535,0	100,58	101,79	0,167	0,172	126	0,2418277
15,481	534,8	535,0	100,97	102,33	0,168	0,172	127	0,2407762
15,617	534,9	535,0	99,94	101,33	0,167	0,172	128	0,2428739
15,489	534,9	535,0	101,46	101,78	0,168	0,171	129	0,24097
15,543	534,9	534,9	100,40	101,35	0,168	0,171	130	0,241826
15,537	534,9	534,9	102,50	101,96	0,169	0,172	131	0,2418268
15,548	534,9	534,9	102,48	101,74	0,171	0,172	132	0,2418266
15,548	534,9	534,9	100,23	101,91	0,169	0,172	133	0,2418265
15,468	534,9	534,9	102,87	102,85	0,169	0,172	134	0,2405035
15,650	534,9	534,9	102,17	101,53	0,171	0,172	135	0,2432909
15,551	535,0	534,9	102,70	101,86	0,171	0,172	136	0,2418272
15,546	535,0	534,9	100,47	101,58	0,169	0,172	137	0,2417941
15,546	535,1	535,0	99,99	101,59	0,167	0,171	138	0,2418268
15,395	535,1	535,0	101,40	102,72	0,167	0,172	139	0,2395063
15,484	535,1	535,1	102,90	102,37	0,169	0,172	140	0,2407763
15,676	535,1	535,1	101,09	101,03	0,170	0,172	141	0,2439166
15,487	535,2	535,1	101,16	102,47	0,169	0,172	142	0,240776
15,614	535,2	535,1	100,92	101,72	0,168	0,172	143	0,242874
15,609	535,3	535,2	99,41	100,92	0,168	0,172	144	0,2428851
15,613	535,3	535,2	100,08	101,04	0,167	0,171	145	0,2428752
15,634	535,3	535,2	101,80	101,47	0,169	0,172	146	0,2432922
15,634	535,4	535,3	99,17	100,58	0,169	0,172	147	0,2432903
15,609	535,4	535,3	100,29	101,15	0,167	0,171	148	0,2428745
15,639	535,5	535,3	101,62	101,72	0,169	0,172	149	0,243292
15,834	535,6	535,4	98,00	99,04	0,168	0,172	150	0,2464012
15,378	535,6	535,4	103,45	102,97	0,169	0,171	151	0,2392977
15,739	535,7	535,4	101,15	100,66	0,171	0,172	152	0,2449551
15,665	535,7	535,5	98,85	100,25	0,169	0,172	153	0,2439182
15,622	535,7	535,5	99,30	100,61	0,166	0,171	154	0,2432929
15,688	535,8	535,6	99,22	100,57	0,167	0,171	155	0,2443336
15,529	535,8	535,6	102,31	102,02	0,169	0,172	156	0,241829
15,669	535,8	535,6	98,88	100,33	0,168	0,172	157	0,2439184
15,757	535,8	535,6	100,51	100,68	0,168	0,172	158	0,2453708
15,688	535,9	535,7	99,33	100,61	0,169	0,172	159	0,244335
15,588	536,0	535,7	101,66	101,22	0,169	0,172	160	0,2428775
15,659	536,0	535,7	99,19	100,73	0,169	0,172	161	0,2439198
15,679	536,0	535,8	101,25	101,05	0,169	0,172	162	0,2443353
15,649	536,1	535,9	101,21	101,10	0,171	0,173	163	0,2439199
15,679	536,0	535,9	100,99	100,64	0,170	0,172	164	0,2444397
15,647	536,1	535,9	100,47	100,75	0,170	0,172	165	0,2439195
15,739	536,1	535,9	99,53	100,26	0,169	0,172	166	0,2453722
15,673	536,1	536,0	99,40	100,46	0,168	0,172	167	0,2443355
15,670	536,1	536,0	99,35	100,25	0,168	0,172	168	0,2443353
15,664	536,1	536,0	101,30	100,90	0,169	0,172	169	0,2443362
15,732	536,1	536,0	99,40	100,19	0,170	0,172	170	0,2453727
15,739	536,1	536,0	98,62	100,06	0,168	0,172	171	0,245373
15,639	536,1	536,0	100,81	100,89	0,169	0,172	172	0,2439211
15,712	536,0	536,0	98,75	100,25	0,168	0,172	173	0,2449587
15,504	536,0	536,0	99,80	101,43	0,167	0,172	174	0,2418323
15,661	536,1	536,0	99,38	100,54	0,167	0,172	175	0,244336

15,660	536,2	536,1	98,84	100,14	0,167	0,172	176	0,2443365
15,590	536,2	536,1	100,49	101,15	0,168	0,172	177	0,243296
15,660	536,2	536,1	100,25	100,92	0,169	0,172	178	0,2443364
15,721	536,2	536,1	100,60	100,94	0,170	0,173	179	0,2453734
15,628	536,2	536,1	100,73	100,84	0,170	0,173	180	0,2439214
15,655	536,1	536,1	99,39	100,57	0,169	0,172	181	0,2443292
15,658	536,1	536,1	100,95	100,93	0,169	0,172	182	0,2443366
15,425	536,0	536,1	100,05	102,06	0,169	0,172	183	0,2407805
15,650	536,0	536,1	100,16	100,82	0,168	0,172	184	0,2443374
15,652	536,0	536,1	100,97	101,33	0,170	0,173	185	0,2443366
15,485	536,0	536,0	102,03	101,86	0,171	0,173	186	0,2418319
15,614	536,0	536,0	100,86	101,19	0,170	0,173	187	0,2439214
15,646	535,9	536,0	101,13	101,06	0,171	0,173	188	0,2443298
15,482	535,9	536,0	102,30	102,13	0,171	0,173	189	0,2418319
15,484	535,9	536,0	99,72	101,59	0,169	0,173	190	0,2418316
15,646	535,9	536,0	100,89	100,99	0,169	0,173	191	0,2443351
15,571	535,9	536,0	99,66	100,98	0,169	0,173	192	0,2432945
15,566	535,8	535,9	101,53	101,75	0,169	0,173	193	0,243295
15,708	535,8	535,9	98,76	99,85	0,169	0,173	194	0,2453722
15,684	535,7	535,9	98,57	100,38	0,167	0,172	195	0,2449575
15,553	535,7	535,9	101,61	101,79	0,169	0,173	196	0,2428766
15,576	535,8	535,9	101,02	101,07	0,170	0,173	197	0,2432945
15,680	535,8	535,9	99,89	100,62	0,170	0,173	198	0,2449575
15,707	535,8	535,9	100,41	100,34	0,170	0,173	199	0,2453712
15,637	535,8	535,9	99,42	100,96	0,169	0,173	200	0,2443352
15,571	535,8	535,9	99,43	100,77	0,168	0,172	201	0,2432943
15,543	535,8	535,9	99,35	100,87	0,167	0,172	202	0,2429857
15,662	535,8	535,9	99,84	100,12	0,168	0,172	203	0,2449569
15,556	535,9	535,9	101,33	100,86	0,170	0,172	204	0,243294
15,606	535,9	535,9	99,94	100,71	0,170	0,172	205	0,2439193
15,666	535,8	535,9	98,67	100,13	0,168	0,172	206	0,2449566
15,600	535,9	535,9	101,19	101,06	0,169	0,173	207	0,2439193
15,593	535,9	535,9	99,31	100,18	0,169	0,172	208	0,2439189
15,592	535,9	535,9	99,77	100,51	0,168	0,172	209	0,2439195
15,621	535,9	535,9	98,87	100,43	0,168	0,172	210	0,2443344
15,655	536,0	535,9	98,50	100,13	0,167	0,172	211	0,2449565
15,523	536,0	535,9	100,86	101,03	0,169	0,172	212	0,2428767
15,550	536,0	536,0	99,47	100,35	0,169	0,172	213	0,243296
15,552	536,0	536,0	100,83	100,77	0,169	0,172	214	0,2432941
15,678	536,0	536,0	98,59	99,55	0,169	0,172	215	0,2453708
15,741	536,0	536,0	99,40	100,00	0,169	0,172	216	0,2464024
15,578	535,9	536,0	101,08	100,96	0,170	0,173	217	0,2438334
15,552	535,8	535,9	99,43	100,59	0,169	0,172	218	0,2432935
15,548	535,8	535,9	100,05	101,28	0,168	0,172	219	0,243293
15,702	535,8	535,9	100,31	99,75	0,170	0,173	220	0,2457828
15,612	535,8	535,9	100,89	100,84	0,171	0,173	221	0,2443335
15,546	535,8	535,9	99,14	100,79	0,169	0,173	222	0,2432925
15,450	535,8	535,9	100,48	101,59	0,168	0,172	223	0,2418286
15,581	535,7	535,8	101,07	101,04	0,170	0,173	224	0,2439183
15,583	535,7	535,8	100,91	100,44	0,171	0,173	225	0,2439181
15,646	535,8	535,8	98,32	100,05	0,169	0,172	226	0,2449551
15,537	535,7	535,8	101,07	100,72	0,169	0,172	227	0,2432925
15,650	535,7	535,8	98,87	99,60	0,169	0,172	228	0,2449553
15,704	535,6	535,8	99,81	99,58	0,169	0,172	229	0,2457763
15,521	535,6	535,7	99,32	100,99	0,169	0,172	230	0,242875
15,655	535,5	535,7	100,90	100,09	0,169	0,172	231	0,2449547
15,453	535,5	535,6	100,35	101,67	0,170	0,172	232	0,2418278
15,611	535,4	535,6	99,33	100,32	0,168	0,172	233	0,2443325
15,516	535,4	535,6	102,08	101,35	0,170	0,173	234	0,2428745
15,616	535,4	535,5	100,05	100,04	0,171	0,172	235	0,2443315
15,325	535,4	535,5	101,40	102,76	0,169	0,172	236	0,2399318

15,605	535,4	535,5	99,00	100,34	0,168	0,173	237	0,2443311
15,644	535,4	535,5	98,45	100,50	0,168	0,173	238	0,2449539
15,576	535,4	535,5	99,40	100,87	0,168	0,173	239	0,2439165
15,445	535,4	535,5	99,84	101,61	0,168	0,173	240	0,2418129
15,671	535,4	535,5	98,53	100,22	0,168	0,173	241	0,245368
15,644	535,4	535,4	98,67	100,15	0,168	0,173	242	0,2449541
15,643	535,4	535,4	99,45	99,88	0,168	0,172	243	0,2449537
15,538	535,4	535,4	99,19	100,81	0,168	0,172	244	0,2432912
15,691	535,3	535,4	100,71	99,64	0,170	0,172	245	0,2457808
15,645	535,3	535,4	98,58	99,97	0,170	0,172	246	0,2449531
15,710	535,3	535,3	100,70	99,95	0,170	0,172	247	0,2460358
15,599	535,3	535,3	101,17	100,58	0,172	0,173	248	0,2443307
15,440	535,3	535,3	99,93	101,79	0,170	0,173	249	0,2418272
15,578	535,2	535,2	99,82	101,15	0,168	0,173	250	0,2439156
15,640	535,2	535,2	98,49	100,48	0,168	0,173	251	0,2449529
15,637	535,2	535,2	98,99	100,77	0,168	0,173	252	0,2449529
15,530	535,2	535,2	99,59	100,78	0,168	0,173	253	0,2432904
15,598	535,2	535,2	101,09	100,70	0,170	0,173	254	0,2443311
15,671	535,2	535,2	98,87	100,01	0,170	0,173	255	0,2453674
15,603	535,2	535,2	99,02	100,67	0,168	0,173	256	0,2443305
15,578	535,1	535,2	101,48	100,90	0,170	0,173	257	0,2439161
15,602	535,1	535,1	100,72	100,57	0,171	0,173	258	0,2443308
15,535	535,1	535,1	99,36	101,34	0,169	0,173	259	0,2432902
15,730	535,0	535,1	98,44	100,05	0,168	0,173	260	0,2463987
15,593	535,0	535,1	101,52	100,49	0,170	0,173	261	0,2443298
15,684	535,0	535,1	100,38	100,13	0,172	0,173	262	0,2457793
15,632	535,0	535,1	99,08	100,84	0,170	0,173	263	0,2449521
15,654	535,0	535,1	98,44	100,03	0,168	0,173	264	0,2453666
15,641	534,9	535,0	99,03	100,37	0,168	0,173	265	0,2449521
15,631	534,9	535,0	99,10	100,60	0,168	0,173	266	0,2449523
15,680	534,9	535,0	98,89	100,51	0,169	0,174	267	0,2457789
15,731	534,9	535,0	99,94	100,07	0,170	0,174	268	0,2463982
15,528	534,9	535,0	101,81	100,87	0,171	0,173	269	0,2432889
15,686	534,9	535,0	98,80	100,25	0,170	0,173	270	0,2457788
15,490	534,9	535,0	101,70	101,25	0,170	0,173	271	0,2428724
15,632	534,9	535,0	100,72	99,95	0,171	0,173	272	0,2449514
15,743	534,9	535,0	100,18	99,09	0,171	0,172	273	0,246809
15,630	534,9	535,0	100,31	100,46	0,171	0,173	274	0,2449516
15,630	534,9	534,9	100,03	100,29	0,170	0,173	275	0,2449518
15,719	534,9	534,9	98,44	99,49	0,169	0,173	276	0,2463977
15,592	534,8	534,9	100,89	99,93	0,170	0,172	277	0,2443295
15,586	534,8	534,9	98,57	100,68	0,169	0,172	278	0,2443292
15,491	534,8	534,9	99,77	100,84	0,168	0,173	279	0,242871
15,581	534,8	534,9	101,48	100,32	0,170	0,172	280	0,2443289
15,649	534,8	534,8	100,14	99,86	0,171	0,172	281	0,2453659
15,510	534,7	534,8	101,77	100,93	0,171	0,173	282	0,2432315
15,675	534,7	534,8	98,53	99,96	0,170	0,173	283	0,2457787
15,648	534,7	534,8	98,22	100,44	0,168	0,173	284	0,2453658
15,619	534,7	534,7	101,43	100,02	0,170	0,173	285	0,2449509
15,515	534,7	534,7	99,77	101,57	0,171	0,173	286	0,2432888
15,644	534,7	534,7	98,77	100,30	0,168	0,174	287	0,245366
15,744	534,7	534,7	99,76	99,20	0,170	0,173	288	0,2468091
15,515	534,7	534,7	101,24	100,17	0,171	0,172	289	0,2432886
15,712	534,7	534,7	100,48	99,31	0,172	0,172	290	0,2463972
15,587	534,7	534,8	101,25	100,51	0,172	0,172	291	0,2443289
15,589	534,7	534,7	100,13	100,42	0,171	0,173	292	0,2443289
15,553	534,6	534,7	99,53	101,01	0,169	0,173	293	0,2439138
15,492	534,7	534,7	99,60	101,02	0,168	0,173	294	0,2428712
15,704	534,7	534,7	97,88	99,93	0,168	0,173	295	0,2463968
15,735	534,6	534,7	99,98	98,98	0,170	0,173	296	0,2468082
15,616	534,6	534,7	100,87	100,23	0,172	0,172	297	0,2449505

15,714	534,6	534,7	98,37	99,81	0,170	0,173	298	0,2463977
15,611	534,5	534,7	100,07	100,06	0,169	0,173	299	0,2449504
15,585	534,5	534,7	101,25	100,10	0,171	0,172	300	0,2445263
15,663	534,5	534,6	98,24	99,64	0,170	0,172	301	0,2457775
15,578	534,5	534,6	101,06	100,17	0,170	0,172	302	0,2443291
15,670	534,5	534,6	99,88	100,07	0,171	0,173	303	0,2457773
15,506	534,4	534,6	101,43	100,62	0,171	0,173	304	0,2432877
15,640	534,4	534,5	100,59	99,85	0,172	0,172	305	0,2453645
15,641	534,4	534,5	100,68	99,99	0,172	0,173	306	0,2453646
15,547	534,4	534,5	99,93	100,53	0,171	0,173	307	0,243913
15,517	534,4	534,5	101,51	100,83	0,170	0,173	308	0,2432878
15,514	534,4	534,5	100,17	100,81	0,170	0,173	309	0,2432884
15,518	534,4	534,5	101,97	100,65	0,171	0,172	310	0,2432877
15,626	534,4	534,5	99,40	100,46	0,171	0,173	311	0,2449498
15,710	534,4	534,5	99,63	99,59	0,170	0,173	312	0,2463963
15,933	534,4	534,5	97,60	98,31	0,170	0,173	313	0,2498721
15,892	534,4	534,5	97,01	98,76	0,169	0,173	314	0,2492639
15,850	534,4	534,5	97,91	99,17	0,168	0,173	315	0,2484466
16,050	534,5	534,6	96,95	97,63	0,169	0,173	316	0,2516927
15,935	534,4	534,6	96,76	98,67	0,169	0,173	317	0,2498723
15,883	534,5	534,6	99,51	98,04	0,170	0,173	318	0,2492319
15,863	534,5	534,6	97,53	98,80	0,171	0,173	319	0,2488553
15,948	534,4	534,5	98,94	97,62	0,170	0,173	320	0,2502781
15,919	534,4	534,6	96,92	98,50	0,170	0,173	321	0,2498718
15,948	534,4	534,5	98,38	97,81	0,170	0,173	322	0,2502783
16,081	534,4	534,6	98,09	97,07	0,172	0,172	323	0,2522963
15,923	534,3	534,6	98,10	98,10	0,171	0,173	324	0,2498718
15,982	534,3	534,5	96,37	98,10	0,169	0,173	325	0,250885
15,980	534,3	534,5	98,63	97,35	0,170	0,173	326	0,2508846
15,947	534,2	534,5	98,71	98,05	0,172	0,172	327	0,2502773
15,911	534,2	534,5	98,84	98,04	0,172	0,173	328	0,2498709
15,858	534,2	534,5	98,95	98,46	0,171	0,173	329	0,2488541
15,911	534,2	534,4	96,97	98,40	0,170	0,173	330	0,2498704
15,843	534,1	534,4	99,29	98,24	0,170	0,173	331	0,2488536
15,983	534,1	534,4	96,66	97,95	0,170	0,173	332	0,2508836
15,727	534,1	534,4	98,02	99,69	0,168	0,173	333	0,2468073
15,858	534,1	534,3	99,50	98,53	0,170	0,173	334	0,2488535
15,937	534,0	534,3	98,81	97,75	0,172	0,173	335	0,2502768
15,878	534,0	534,3	99,17	98,53	0,172	0,173	336	0,2492602
15,851	534,0	534,3	99,38	98,08	0,172	0,172	337	0,2488534
15,917	533,9	534,2	96,83	98,19	0,170	0,172	338	0,2498701
15,934	533,9	534,2	97,72	97,88	0,169	0,173	339	0,2502763
15,649	533,9	534,2	98,90	99,91	0,170	0,173	340	0,2457752
15,971	533,9	534,2	96,32	97,94	0,169	0,173	341	0,2508387
15,909	533,9	534,2	96,81	98,69	0,168	0,173	342	0,2498693
15,845	533,8	534,1	99,00	98,99	0,170	0,174	343	0,2488521
15,871	533,8	534,1	98,96	98,16	0,172	0,173	344	0,2492589
15,911	533,8	534,1	98,87	98,09	0,172	0,173	345	0,2498689
15,690	533,7	534,1	98,29	99,73	0,170	0,173	346	0,2463938
15,907	533,7	534,0	98,53	98,14	0,170	0,173	347	0,2498685
15,876	533,7	534,0	98,00	98,43	0,171	0,173	348	0,2492584
15,919	533,7	534,0	99,29	97,89	0,171	0,173	349	0,249868
15,847	533,7	534,0	99,92	98,37	0,173	0,172	350	0,2488512

APPENDIX 3: Calibration data



CERTIFICAT D'ÉTALONNAGE

No.Certificat: CE-EM-001 27/02/17

CLIENT	
Compagnie:	Services Polytests Inc
Adresse:	695 B rue Gaudette St-Jean-sur-Richelieu, Québec, J3B 7S7

SPÉCIFICATION DE CALIBRATION	
Procédure de service:	4IN9101
Précision requise:	+/- 2.0°C
Fréquence d'étalonnage: (jours)	365

SPÉCIFICATION DE L'INSTRUMENT			
Type d'instrument:	Enregistreur	Type d'entrée:	Temp
Manufacturier:	Fluke	Type de sortie:	Digitale
No. Model:	52-II	Type de mesure:	Température
No. Série:	90630037	Gamme:	Divers
Emplacement:	N.A.	No. Machine:	N.A.

SPÉCIFICATION DE L'ÉTALON			
Étalon Utilisé:	Fluke 744	No. du certificat d'étalonnage:	AC16061306
No. Série:	7798010	Dernière date d'étalonnage:	27-Jun-16
Certificat fait par:	Alpha Controls	Prochaine date d'étalonnage:	27-Jun-17
Commentaire:			

RÉSULTAT D'ÉTALONNAGE						
Entrée Source	Valeur Donnée	Valeur Actuelle	Erreur de Déviation	Valeur après Étalonnage	Incertitude Élargie	Commentaire
0.0 °C	0.0 °C	-0.1 °C	-0.1 °C	-0.1 °C	1.0 °C	T1 typeJ
125.0 °C	125.0 °C	124.9 °C	-0.1 °C	124.9 °C	1.0 °C	T1 typeJ
250.0 °C	250.0 °C	250.0 °C	0.0 °C	250.0 °C	1.0 °C	T1 typeJ
375.0 °C	375.0 °C	374.9 °C	-0.1 °C	374.9 °C	1.0 °C	T1 typeJ
500.0 °C	500.0 °C	500.0 °C	0.0 °C	500.0 °C	1.0 °C	T1 typeJ
0.0 °C	0.0 °C	0.0 °C	0.0 °C	0.0 °C	1.0 °C	T2 typeJ
125.0 °C	125.0 °C	125.0 °C	0.0 °C	125.0 °C	1.0 °C	T2 typeJ
250.0 °C	250.0 °C	250.0 °C	0.0 °C	250.0 °C	1.0 °C	T2 typeJ
375.0 °C	375.0 °C	374.9 °C	-0.1 °C	374.9 °C	1.0 °C	T2 typeJ
500.0 °C	500.0 °C	500.0 °C	0.0 °C	500.0 °C	1.0 °C	T2 typeJ
0.0 °C	0.0 °C	0.0 °C	0.0 °C	0.0 °C	1.0 °C	T1 typeK
125.0 °C	125.0 °C	125.0 °C	0.0 °C	125.0 °C	1.0 °C	T1 typeK
250.0 °C	250.0 °C	250.0 °C	0.0 °C	250.0 °C	1.0 °C	T1 typeK
375.0 °C	375.0 °C	375.0 °C	0.0 °C	375.0 °C	1.0 °C	T1 typeK
500.0 °C	500.0 °C	500.0 °C	0.0 °C	500.0 °C	1.0 °C	T1 typeK
0.0 °C	0.0 °C	0.0 °C	0.0 °C	0.0 °C	1.0 °C	T2 typeK
125.0 °C	125.0 °C	125.0 °C	0.0 °C	125.0 °C	1.0 °C	T2 typeK
250.0 °C	250.0 °C	250.0 °C	0.0 °C	250.0 °C	1.0 °C	T2 typeK
375.0 °C	375.0 °C	375.0 °C	0.0 °C	375.0 °C	1.0 °C	T2 typeK
500.0 °C	500.0 °C	500.0 °C	0.0 °C	500.0 °C	1.0 °C	T2 typeK

Conditions Environnementales: Température: 18 °C Humidité: 33 %RH

Type d'Étalonnage:

[Signature]
2017.03.16



CERTIFICAT D'ÉTALONNAGE

No.Certificat: CE-EM-001 27/02/17

CLIENT	
Compagnie:	Services Polytests Inc
Adresse:	695 B rue Gaudette St-Jean-sur-Richelieu, Québec, J3B 7S7

SPÉCIFICATION DE CALIBRATION	
Procédure de service:	4IN9101
Précision requise:	+/- 2.0°C
Fréquence d'étalonnage: (jours)	365

SPÉCIFICATION DE L'INSTRUMENT			
Type d'instrument:	Enregistreur	Type d'entrée:	Temp.
Manufacturier:	Fluke	Type de sortie:	Digitale
No. Model:	52-II	Type de mesure:	Température
No. Série:	90630037	Gamme:	Divers
Emplacement:	N.A.	No. Machine:	N.A.

Instrumentation Saint-Laurent Inc. Certifie que l'instrument ci-dessus, conforme au accord les spécifications établies par le fabricant. Le système qualité de l'entreprise est conforme aux exigences de la norme ISO 17025 et les étalons utilisés pour effectuer l'étalonnage est rattachés au CNRC et/ou au NIST. Le degré d'incertitude est basé sur le niveau de confiance=95%, k=2

DATE D'ÉTALONNAGE / ÉMISSION DU CERTIFICAT	
Date d'Étalonnage:	27 Février 2017
Date du prochain Étalonnage:	27 Février 2018
Date d'émission du certificat:	27 Février 2017

CONFORMITÉ D'ÉTALONNAGE		
	Avant	Après
Conforme:	X	X
Non Conforme:		

Le Service d'évaluation des laboratoires d'étalonnage (CLAS) du Conseil national de recherches du Canada (CNRC) a évalué et certifié la capacité d'étalonnage du laboratoire et la traçabilité au Système international d'unités (SI) ou à des étalons acceptables selon le CLAS. Le présent certificat d'étalonnage est délivré conformément aux conditions de certification du CLAS et aux conditions d'accréditation du Conseil canadien des normes (CCN). Numéro d'accréditation du CCN: # 669. Le CLAS et le CCN ne garantissent pas l'exactitude des étalonnages individuels effectués par les laboratoires accrédités.

Stéphane - Technicien



CERTIFICAT D'ÉTALONNAGE

No.Certificat: CE-EM-006 27/02/17

CLIENT	
Compagnie:	Services Polytests Inc
Adresse:	695 B rue Gaudette St-Jean-sur-Richelieu, Québec, J3B 7S7

SPÉCIFICATION DE CALIBRATION	
Procédure de service:	4IN9106
Précision requise:	+/-0.25"H2O
Fréquence d'étalonnage: (jours)	365

SPÉCIFICATION DE L'INSTRUMENT			
Type d'instrument:	Indicateur	Type d'entrée:	Pression
Manufacturier:	Dwyer	Type de sortie:	Digitale
No. Model:	MS-321-LCD	Type de mesure:	Pression
No. Série:	E47U020014	Gamme:	0-0.5"H2O
Emplacement:	N.A.	No. Machine:	N.A.

SPÉCIFICATION DE L'ÉTALON			
Étalon Utilisé:	Fluke 744	No. du certificat d'étalonnage:	AC16061306
No. Série:	7798010	Dernière date d'étalonnage:	27-Jun-16
Certificat fait par:	Alpha Controls	Prochaine date d'étalonnage:	27-Jun-17
Commentaire:			

SPÉCIFICATION DE L'ÉTALON			
Étalon Utilisé:	Setra	No. du certificat d'étalonnage:	AC17021126
No. Série:	2784759	Dernière date d'étalonnage:	17-Feb-17
Certificat fait par:	Alpha Controls	Prochaine date d'étalonnage:	17-Feb-18
Commentaire:			

RÉSULTAT D'ÉTALONNAGE						
Entrée Source	Valeur Donnée	Valeur Actuelle	Erreur de Déviation	Valeur après Étalonnage	Incertitude Élargie	Commentaire
0.0000 "H2O	0.000 "H2O	-0.007 "H2O	-0.007 "H2O	-0.007 "H2O	0.25 "H2O	Vérification indicateur
0.2500 "H2O	0.250 "H2O	0.237 "H2O	-0.013 "H2O	0.237 "H2O	0.25 "H2O	Vérification indicateur
0.5000 "H2O	0.500 "H2O	0.493 "H2O	-0.007 "H2O	0.493 "H2O	0.25 "H2O	Vérification indicateur
0.7500 "H2O	0.750 "H2O	0.740 "H2O	-0.010 "H2O	0.740 "H2O	0.25 "H2O	Vérification indicateur
1.0000 "H2O	1.000 "H2O	0.989 "H2O	-0.011 "H2O	0.989 "H2O	0.25 "H2O	Vérification indicateur
0.0000 "H2O	0.0000 V.DC	0.0003 V.DC.	+0.0003 V.DC.	0.0003 V.DC.	0.00 V.DC.	Vérification sortie analogique
0.2500 "H2O	2.5000 V.DC	2.3571 V.DC.	-0.1429 V.DC.	2.3571 V.DC.	0.00 V.DC.	Vérification sortie analogique
0.5000 "H2O	5.0000 V.DC	4.8491 V.DC.	-0.1509 V.DC.	4.8491 V.DC.	0.00 V.DC.	Vérification sortie analogique
0.7500 "H2O	7.5000 V.DC	7.4099 V.DC.	-0.0901 V.DC.	7.4099 V.DC.	0.00 V.DC.	Vérification sortie analogique
1.0000 "H2O	10.0000 V.DC	9.8836 V.DC.	-0.1164 V.DC.	9.8836 V.DC.	0.00 V.DC.	Vérification sortie analogique
Conditions Environnementales:			Température: 18 °C	Humidité: 33 %RH		
Type d'Étalonnage:						



CERTIFICAT D'ÉTALONNAGE

No. Certificat: CE-EM-006 27/02/17

CLIENT	
Compagnie:	Services Polytests Inc
Adresse:	695 B rue Gaudette St-Jean-sur-Richelieu, Québec, J3B 7S7

SPÉCIFICATION DE CALIBRATION	
Procédure de service:	4IN9106
Précision requise:	$\pm 0.25\%H_2O$
Fréquence d'étalonnage: (jours)	365

SPÉCIFICATION DE L'INSTRUMENT			
Type d'instrument:	Indicateur	Type d'entrée:	Pression
Manufacturier:	Dwyer	Type de sortie:	Digitale
No. Model:	MS-321-LCD	Type de mesure:	Pression
No. Série:	E47U020014	Gamme:	0-0.5"H ₂ O
Emplacement:	N.A.	No. Machine:	N.A.

Instrumentation Saint-Laurent Inc. Certifie que l'instrument ci-dessus, respecte ou excède les spécifications établies par le fabricant. Le système qualité de l'entreprise est conforme aux exigences de la norme ISO 17025 et les étalons utilisés pour effectuer l'étalonnage est rattachés au CNRC et/ou au NIST. Le degré d'incertitude est basé sur un niveau de confiance=95%, K=2.

DATE D'ÉTALONNAGE / ÉMISSION DU CERTIFICAT	
Date d'Étalonnage:	27 Février 2017
Date du prochain Étalonnage:	27 Février 2018
Date d'émission du certificat:	27 Février 2017

CONFORMITÉ D'ÉTALONNAGE		
	Avant	Après
Conforme:	X	X
Non Conforme:		

Le Service d'évaluation des laboratoires d'étalonnage (CLAS) du Conseil national de recherches du Canada (CNRC) a évalué et certifié la capacité d'étalonnage du laboratoire et la traçabilité au Système international d'unités (SI) ou à des étalons acceptables selon le CLAS. Le présent certificat d'étalonnage est délivré conformément aux conditions de certification du CLAS et aux conditions d'accréditation du Conseil canadien des normes (CCN). Numéro d'accréditation du CCN: # 669. Le CLAS et le CCN ne garantissent pas l'exactitude des étalonnages individuels effectués par les laboratoires accrédités.

Stéphane - Technicien

2017-05-16



CERTIFICAT D'ÉTALONNAGE

No. Certificat: CE-EM-007 27/02/17

CLIENT	
Compagnie:	Services Polytests Inc
Adresse:	695 B rue Gaudette St-Jean-sur-Richelieu, Québec, J3B 7S7

SPÉCIFICATION DE CALIBRATION	
Procédure de service:	4IN9106
Précision requise:	+/- 0.25"H2O
Fréquence d'étalonnage: (jours)	365

SPÉCIFICATION DE L'INSTRUMENT			
Type d'instrument:	Indicateur	Type d'entrée:	Pression
Manufacturier:	Dwyer	Type de sortie:	Digitale
No. Model:	MS-321-LCD	Type de mesure:	Pression
No. Série:	E23S020111/12	Gamme:	0-0.5"H2O
Emplacement:	N.A.	No. Machine:	N.A.

SPÉCIFICATION DE L'ÉTALON			
Étalon Utilisé:	Fluke 744	No. du certificat d'étalonnage:	AC18061306
No. Série:	7798010	Dernière date d'étalonnage:	27-Jun-16
Certificat fait par:	Alpha Controls	Prochaine date d'étalonnage:	27-Jun-17
Commentaire:			

SPÉCIFICATION DE L'ÉTALON			
Étalon Utilisé:	Setra	No. du certificat d'étalonnage:	AC17021126
No. Série:	2784759	Dernière date d'étalonnage:	17-Feb-17
Certificat fait par:	Alpha Controls	Prochaine date d'étalonnage:	17-Feb-18
Commentaire:			

RÉSULTAT D'ÉTALONNAGE						
Entrée Source	Valeur Donnée	Valeur Actuelle	Erreur de Déviation	Valeur après Étalonnage	Incertitude Élargie	Commentaire
0.0000 "H2O	0.0000 "H2O	0.0015 "H2O	+0.0015 "H2O	0.0015 "H2O	0.25 "H2O	Vérification indicateur
0.1500 "H2O	0.1500 "H2O	0.1484 "H2O	-0.0016 "H2O	0.1484 "H2O	0.25 "H2O	Vérification indicateur
0.2500 "H2O	0.2500 "H2O	0.2444 "H2O	-0.0056 "H2O	0.2444 "H2O	0.25 "H2O	Vérification indicateur
0.3500 "H2O	0.3500 "H2O	0.3528 "H2O	+0.0028 "H2O	0.3528 "H2O	0.25 "H2O	Vérification indicateur
0.5000 "H2O	0.5000 "H2O	0.5017 "H2O	+0.0017 "H2O	0.5017 "H2O	0.25 "H2O	Vérification indicateur
0.0000 "H2O	0.0000 V.DC	0.0026 V.DC	+0.0026 V.DC	0.0026 V.DC	0.01 V.DC	Vérification sortie analogique
0.0250 "H2O	2.5000 V.DC	2.8463 V.DC	+0.3463 V.DC	2.8463 V.DC	0.01 V.DC	Vérification sortie analogique
0.0500 "H2O	5.0000 V.DC	5.2385 V.DC	+0.2385 V.DC	5.2385 V.DC	0.01 V.DC	Vérification sortie analogique
0.0750 "H2O	7.5000 V.DC	7.5625 V.DC	+0.0625 V.DC	7.5625 V.DC	0.01 V.DC	Vérification sortie analogique
0.1000 "H2O	10.0000 V.DC	9.9601 V.DC	-0.0399 V.DC	9.9601 V.DC	0.01 V.DC	Vérification sortie analogique
Conditions Environnementales:			Température: 18 °C	Humidité: 33 %RH		
Type d'Étalonnage:						



CERTIFICAT D'ÉTALONNAGE

No. Certificat: CE-EM-007, 27/02/17

CLIENT	
Compagnie:	Services Polytests Inc.
Adresse:	695 B rue Gaudette St-Jean-sur-Richelieu, Québec, J3B 7S7

SPÉCIFICATION DE CALIBRATION	
Procédure de service:	4IN9106
Précision requise:	± 0.25"H2O
Fréquence d'étalonnage: (jours)	365

SPÉCIFICATION DE L'INSTRUMENT			
Type d'instrument:	Indicateur	Type d'entrée:	Pression
Manufacturier:	Dwyer	Type de sortie:	Digitale
No. Model:	MS-321-LCD	Type de mesure:	Pression
No. Série:	E23S020111/12	Gamme:	0-0.5"H2O
Emplacement:	N.A.	No. Machine:	N.A.

Instrumentation Saint-Laurent Inc. Certifie que l'instrument ci-dessus, lorsqu'il est utilisé conformément aux applications établies par le fabricant, le système qualité de l'entreprise est conforme aux exigences de la norme ISO 17025 et les étalons utilisés pour effectuer l'étalonnage est rattachés au CNRC et/ou au NIST. Le degré d'incertitude est basé sur un niveau de confiance=95%, K=2

DATE D'ÉTALONNAGE / ÉMISSION DU CERTIFICAT	
Date d'Étalonnage:	27 Février 2017
Date du prochain Étalonnage:	27 Février 2018
Date d'émission du certificat:	27 Février 2017

CONFORMITÉ D'ÉTALONNAGE		
	Avant	Après
Conforme:	X	X
Non Conforme:		

Le Service d'évaluation des laboratoires d'étalonnage (CLAS) du Conseil national de recherches du Canada (CNRC) a évalué et certifié la capacité d'étalonnage du laboratoire et la traçabilité au Système international d'unités (SI) ou à des étalons acceptables selon le CLAS. Le présent certificat d'étalonnage est délivré conformément aux conditions de certification du CLAS et aux conditions d'accréditation du Conseil canadien des normes (CCN). Numéro d'accréditation du CCN: # 669. Le CLAS et le CCN ne garantissent pas l'exactitude des étalonnages individuels effectués par les laboratoires accrédités.

Stéphane - Technicien

2017-02-16



CERTIFICAT D'ÉTALONNAGE

No. Certificat: CE-EM-047 28/02/17

CLIENT	
Compagnie:	Services Polytests Inc
Adresse:	695 B rue Gaudette St-Jean-sur-Richelieu, Québec, J3B 7S7

SPÉCIFICATION DE CALIBRATION	
Procédure de service:	4IN9101
Précision requise:	±1-2°C
Fréquence d'étalonnage: (jours)	365

SPÉCIFICATION DE L'INSTRUMENT			
Type d'instrument:	Enregistreur	Type d'entrée:	Temp
Manufacturier:	Keithley	Type de sortie:	Digitale
No. Model:	2700	Type de mesure:	Température
No. Série:	1217093	Gamme:	Divers
Emplacement:	N.A	No. Machine:	N.A.

SPÉCIFICATION DE L'ÉTALON			
Étalon Utilisé:	Fluke 744	No. du certificat d'étalonnage:	AC16061306
No. Série:	7798010	Dernière date d'étalonnage:	27-Jun-16
Certificat fait par:	Alpha Controls	Prochaine date d'étalonnage:	27-Jun-17
Commentaire:			

RÉSULTAT D'ÉTALONNAGE						
Entrée Source	Valeur Donnée	Valeur Actuelle	Erreur de Déviation	Valeur après Étalonnage	Incertitude Élargie	Commentaire
Voir Commentaire						
Conditions Environnementales:			Température: 18 °C	Humidité: 32 %RH		
Type d'Étalonnage: Data Acquisition system Conforme Carte1: EM-154 Carte2: EM-015						

Instrumentation St-Laurent Inc. C'est-à-dire que l'instrument d'essai, l'incertitude ou excède les spécifications établies par le fabricant. Le système qualité de l'entreprise est conforme aux exigences de la norme ISO 17025 et les étalons utilisés pour effectuer l'étalonnage est rattaché au CNRC et/ou au NIST. Le degré d'acceptabilité est basé sur un niveau de confiance 95%, K=2.

DATE D'ÉTALONNAGE / ÉMISSION DU CERTIFICAT	
Date d'Étalonnage:	28 Février 2017
Date du prochain Étalonnage:	28 Février 2018
Date d'émission du certificat:	28 Février 2017

CONFORMITÉ D'ÉTALONNAGE		
	Avant	Après
Conforme:	X	X
Non Conforme:		

Le Service d'évaluation des laboratoires d'étalonnage (CLAS) du Conseil national de recherches du Canada (CNRC) a évalué et certifié la capacité d'étalonnage du laboratoire et la traçabilité au Système international d'unités (SI) ou à des étalons acceptables selon le CLAS. Le présent certificat d'étalonnage est délivré conformément aux conditions de certification du CLAS et aux conditions d'accréditation du Conseil canadien des normes (CCN). Numéro d'accréditation du CCN: # 669. Le CLAS et le CCN ne garantissent pas l'exactitude des étalonnages individuels effectués par les laboratoires accrédités.

Stéphane - Technicien

2017-03-16

CERTIFICAT D'ÉTALONNAGE

9900 Chemin de la Côte-de-Liesse, Lachine, QC H8T 1A1
www.dispersion.ca 1.866.390.5066

Client :	Polytests	No. du Certificat :	152-4BB901-181
Adresse :	695 B rue Gaudette St-Jean-sur-Richelieu, QC J3B7S7	Date d'étalonnage :	09-01-2018

Technicien:
Simeonidis, Georgios



David Llorens, Responsable Qualité

DESCRIPTION DU SERVICE:

Description des masses :	ASTM E817	Date d'approbation :	09-01-2018
Classe de précision :	ASTM 6	Date prochain étalonnage :	09-01-2023
Densité :	7.95g/cm ³	Accréditation CCN n. :	668
Identification (si unique) :	EM-090	Certification CLAS n. :	2010-01
Condition d'essai :	Temp °C: 21.17	Pression kPa: 101.475	Humidité: 48.665

NOTES:

Pour l'étalonnage des masses, nous utilisons la procédure "Comparaison individuelle" PDL-09-MG-001 et la procédure "Détermination des incertitudes" PDL-09-MG-002. Le droit d'auteur du présent certificat appartient au laboratoire délivreur et doit être reproduit intégralement, à moins d'une autorisation écrite du laboratoire délivreur.

REMARQUES:



11 JANV. 2018

CERTIFICAT D'ÉTALONNAGE

9900 Chemin de la Côte-de-Liesse, Lachine, QC H8T 1A1
www.dispersion.ca 1.866.390.5088

BALANCES UTILISÉES

Pour l'étalonnage manuel :

> 5 kg à 25 kg :	Mettler Toledo XP32003L, SNR 1123271214, max. 32100 g, $d = 0.005$ g
> 1 kg à 5 kg :	Mettler Toledo PR5003, SNR 1115311634, max. 5100 g, $d = 0.001$ g
> 300 g à 2 kg :	Mettler Toledo XP2004S, SNR B131185222, max. 2100 g, $d = 0.1$ mg
> 100 g à 200 g :	Mettler Toledo AT201 SNR BA1115230146, max. 205 g, $d = 0.01$ mg
> 5 g à 100 g :	Mettler Toledo AX106 SNR 1127063924, max. 111 g, $d = 1$ μ g
1 mg à 5 g :	Mettler UMX5, SNR 1121103055, max. 5.1 g, $d = 0.1$ μ g

Pour l'étalonnage automatisé :

> 200 g à 1 kg :	Mettler Toledo AX1005 SNR 1127063210, max. 1109 g, $d = 0.01$ mg
> 5 g à 100 g :	Mettler Toledo AX106 SNR 1120143015, max. 111 g, $d = 1$ μ g
1 mg à 5 g :	Mettler UMX5, SNR 1125140561, max. 5.1 g, $d = 0.1$ μ g

Les balances sont vérifiées selon notre procédure de contrôle périodique PDL-11-MG-001.

INCERTITUDES:

Les incertitudes que nous retrouvons comprennent :

1. *L'incertitude associée à l'opération de pesage.*
2. *L'incertitude associée à la densité de l'air.*
3. *L'incertitude associée à l'étalon utilisé.*
4. *L'incertitude associée à la densité de la masse à être étalonnés.*

L'incertitude de l'opération de pesage comprend la reproductibilité à long terme.

Les incertitudes précisées dans ce rapport sont des incertitudes élargies représentant un niveau de confiance d'approximativement 95 %, obtenu en multipliant ensemble l'incertitude-type composée par un facteur de couverture de $k = 2$. Pour de plus amples renseignements, veuillez consulter la publication GUM (Guide pour l'expression de l'incertitude de mesure, édition de 1995).

TRAÇABILITÉ

Le Service d'évaluation de laboratoires d'étalonnage (CLAS) du Conseil national de recherches du Canada (CNRC) a évalué et a certifié des capacités d'étalonnage spécifiques de ce laboratoire et leur traçabilité à des étalons nationaux de mesure reconnus et au Système international d'unités (SI). Ce certificat d'étalonnage est émis conformément aux conditions de certification accordées par CLAS et aux conditions d'accréditation accordées par le Conseil canadien des normes (CCN). Le CLAS pas plus que le CCN ne peut garantir l'exactitude des étalonnages individuels effectués par des laboratoires accrédités.

D.P.

CERTIFICAT D'ÉTALONNAGE

3900 Chemin de la Côte-de-Liesse, Lachine, QC H8T 1A1
www.dispersion.ca 1.866.390.5066

RÉFÉRENCES UTILISÉES

Poids	No de série	Fabricant	Date d'étalonnage	Date due
20kg	69976	Troemner	30-05-2017	30-05-2018
5kg	129099	Mettler Toledo	02-09-2017	02-09-2018
5kg	96-0888-50-3	Denver Instrument Company	02-09-2017	02-09-2018
2kg	129098	Mettler Toledo	02-09-2017	02-09-2018
2kg	96-0888-50-3	Denver Instrument Company	02-09-2017	02-09-2018
300g	96-0888-50-2	Denver Instrument Company	02-09-2017	02-09-2018
1kg - 1mg	MT-01	Mettler Toledo	02-09-2017	02-09-2018

ÉTALONS CERTIFIÉS PAR LE CNRC(Référence NRC MS-2016-0021)

Poids	No de série	Fabricant	Date d'étalonnage	Date due
100g	95170	Mettler Toledo	17-10-2016	17-10-2018
10kg	129100	Mettler Toledo	17-10-2016	17-10-2018
1kg	95171	Mettler Toledo	17-10-2016	17-10-2018

RÉFÉRENCES DE LA STATION ROBOTISÉE

Poids	No de série	Fabricant	Date d'étalonnage	Date due
1kg - 1mg	DK000A132	Laboratoire Dispersion	01-08-2017	01-08-2018

DP



CERTIFICAT D'ÉTALONNAGE

No. Certificat: CE-EM-126 27/02/17

CLIENT	
Compagnie:	Services Polytests Inc
Adresse:	695 B rue Gaudette St-Jean-sur-Richelieu, Québec, J3B 7S7

SPÉCIFICATION DE CALIBRATION	
Procédure de service:	4IN9106
Précision requise:	+/- 1"Hg
Fréquence d'étalonnage: (jours)	365

SPÉCIFICATION DE L'INSTRUMENT			
Type d'instrument:	Manomètre	Type d'entrée:	Pression
Manufacturier:	Dwyer	Type de sortie:	Digitale
No. Model:	DPG200	Type de mesure:	Pression
No. Série:	N.A.	Gamme:	0-28"Hg
Emplacement:	N.A.	No. Machine:	N.A.

SPÉCIFICATION DE L'ÉTALON			
Étalon Utilisé:	Fluke 744	No. du certificat d'étalonnage:	AC16061306
No. Série:	7798010	Dernière date d'étalonnage:	27-Jun-16
Certificat fait par:	Alpha Controls	Prochaine date d'étalonnage:	27-Jun-17
Commentaire:			

SPÉCIFICATION DE L'ÉTALON			
Étalon Utilisé:	Crystal XP2i 300	No. du certificat d'étalonnage:	AC16061306
No. Série:	866756	Dernière date d'étalonnage:	27-Jun-16
Certificat fait par:	Alpha Controls	Prochaine date d'étalonnage:	27-Jun-17
Commentaire:			

RÉSULTAT D'ÉTALONNAGE						
Entrée Source	Valeur Donnée	Valeur Actuelle	Erreur de Déviation	Valeur après Étalonnage	Incertitude Élargie	Commentaire
0.00 "Hg	0.00 "Hg	0.00 "Hg	0.00 "Hg	0.00 "Hg	1 "Hg	Vérification indicateur
-7.50 "Hg	-7.50 "Hg	-7.61 "Hg	-0.11 "Hg	-7.61 "Hg	1 "Hg	Vérification indicateur
-15.00 "Hg	-15.00 "Hg	-15.23 "Hg	-0.23 "Hg	-15.23 "Hg	1 "Hg	Vérification indicateur
-22.50 "Hg	-22.50 "Hg	-22.84 "Hg	-0.34 "Hg	-22.84 "Hg	1 "Hg	Vérification indicateur
-28.00 "Hg	-28.00 "Hg	-28.44 "Hg	-0.44 "Hg	-28.44 "Hg	1 "Hg	Vérification indicateur
0.00 "Hg	10.0000 V.DC.	10.0600 V.DC.	+0.0600 V.DC.	10.0600 V.DC.	0.01 V.DC.	Vérification sortie analogique
-7.50 "Hg	8.0000 V.DC.	8.0461 V.DC.	+0.0461 V.DC.	8.0461 V.DC.	0.01 V.DC.	Vérification sortie analogique
-15.00 "Hg	6.0000 V.DC.	6.0117 V.DC.	+0.0117 V.DC.	6.0117 V.DC.	0.01 V.DC.	Vérification sortie analogique
-22.50 "Hg	4.0000 V.DC.	3.9727 V.DC.	-0.0273 V.DC.	3.9727 V.DC.	0.01 V.DC.	Vérification sortie analogique
-28.00 "Hg	2.5333 V.DC.	2.4605 V.DC.	-0.0728 V.DC.	2.4605 V.DC.	0.01 V.DC.	Vérification sortie analogique
Conditions Environnementales:			Température: 18 °C	Humidité: 33 %RH		
Type d'Étalonnage:						

[Signature]
2017-03-16



CERTIFICAT D'ÉTALONNAGE

No.Certificat: CÉ-EM-126 27/02/17

CLIENT	
Compagnie:	Services Polytests Inc
Adresse:	695 B rue Gaudette St-Jean-sur-Richelieu, Québec, J3B 7S7

SPÉCIFICATION DE CALIBRATION	
Procédure de service:	4IN9106
Précision requise:	± 1"Hg
Fréquence d'étalonnage: (jours)	365

SPÉCIFICATION DE L'INSTRUMENT			
Type d'instrument:	Manomètre	Type d'entrée:	Pression
Manufacturier:	Dwyer	Type de sortie:	Digitale
No. Model:	DPG200	Type de mesure:	Pression
No. Série:	N.A.	Gamme:	0-28"Hg
Emplacement:	N.A.	No. Machine:	N.A.

Instrumentation Saint-Laurent Inc. Certifie que l'instrument ci-dessus, rencontre ou excède les spécifications établies par le fabricant. Le système qualité de l'entreprise est conforme aux exigences de la norme ISO 17025 et les étalons utilisés pour effectuer l'étalonnage est rattaché au CNRC ou au NIST. Le degré d'incertitude est basé sur un niveau de confiance de 95%. 502

DATE D'ÉTALONNAGE / ÉMISSION DU CERTIFICAT	
Date d'Étalonnage:	27 Février 2017
Date du prochain Étalonnage:	27 Février 2018
Date d'émission du certificat:	27 Février 2017

CONFORMITÉ D'ÉTALONNAGE		
	Avant	Après
Conforme:	X	X
Non Conforme:		

Le Service d'évaluation des laboratoires d'étalonnage (CLAS) du Conseil national de recherches du Canada (CNRC) a évalué et certifié la capacité d'étalonnage du laboratoire et la traçabilité au Système international d'unités (SI) ou à des étalons acceptables selon le CLAS. Le présent certificat d'étalonnage est délivré conformément aux conditions de certification du CLAS et aux conditions d'accréditation du Conseil canadien des normes (CCN). Numéro d'accréditation du CCN: # 069. Le CLAS et le CCN ne garantissent pas l'exactitude des étalonnages individuels effectués par les laboratoires accrédités.

- Stéphane - Technicien



CERTIFICAT D'ÉTALONNAGE

No.Certificat: CE-EM-127 27/02/17

CLIENT		SPÉCIFICATION DE CALIBRATION	
Compagnie:	Services Polytests Inc.	Procédure de service:	4IN9106
Adresse:	695 B rue Gaudette	Précision requise:	±1 "Hg
	St-Jean-sur-Richelieu, Québec, J3B 7S7	Fréquence d'étalonnage: (jours)	365

SPÉCIFICATION DE L'INSTRUMENT			
Type d'instrument:	Manomètre	Type d'entrée:	Pression
Manufacturier:	Dwyer	Type de sortie:	Digitale
No. Model:	DPG200	Type de mesure:	Pression
No. Série:	N.A	Gamme:	0-28 "Hg
Emplacement:	N.A	No. Machine:	N.A

SPÉCIFICATION DE L'ÉTALON			
Étalon Utilisé:	Fluke 744	No. du certificat d'étalonnage:	AC16061308
No. Série:	7798010	Dernière date d'étalonnage:	27-Jun-16
Certificat fait par:	Alpha Controls	Prochaine date d'étalonnage:	27-Jun-17
Commentaire:			

SPÉCIFICATION DE L'ÉTALON			
Étalon Utilisé:	Crystal XP2i 300	No. du certificat d'étalonnage:	AC16061306
No. Série:	866756	Dernière date d'étalonnage:	27-Jun-16
Certificat fait par:	Alpha Controls	Prochaine date d'étalonnage:	27-Jun-17
Commentaire:			

RÉSULTAT D'ÉTALONNAGE						
Entrée Source	Valeur Donnée	Valeur Actuelle	Erreur de Déviation	Valeur après Étalonnage	Incertitude Élargie	Commentaire
0.00 "Hg	0.00 "Hg	0.00 "Hg	0.00 "Hg	0.00 "Hg	1 "Hg	Vérification indicateur
-7.50 "Hg	-7.50 "Hg	-7.53 "Hg	-0.03 "Hg	-7.53 "Hg	1 "Hg	Vérification indicateur
-15.00 "Hg	-15.00 "Hg	-15.03 "Hg	-0.03 "Hg	-15.03 "Hg	1 "Hg	Vérification indicateur
22.50 "Hg	-22.50 "Hg	-22.56 "Hg	-0.06 "Hg	-22.56 "Hg	1 "Hg	Vérification indicateur
-28.00 "Hg	-28.00 "Hg	-28.08 "Hg	-0.08 "Hg	-28.08 "Hg	1 "Hg	Vérification indicateur
0.00 "Hg	10.0000 V.DC.	10.0101 V.DC.	+0.0101 V.DC.	10.0101 V.DC.	0.01 V.DC.	Vérification sortie analogique
-7.50 "Hg	8.0000 V.DC.	8.0232 V.DC.	+0.0232 V.DC.	8.0232 V.DC.	0.01 V.DC.	Vérification sortie analogique
-15.00 "Hg	6.0000 V.DC.	6.0216 V.DC.	+0.0216 V.DC.	6.0216 V.DC.	0.01 V.DC.	Vérification sortie analogique
-22.50 "Hg	4.0000 V.DC.	4.0059 V.DC.	+0.0059 V.DC.	4.0059 V.DC.	0.01 V.DC.	Vérification sortie analogique
-28.00 "Hg	2.5333 V.DC.	2.5208 V.DC.	-0.0125 V.DC.	2.5208 V.DC.	0.01 V.DC.	Vérification sortie analogique
Conditions Environnementales:			Température: 18 °C.	Humidité:	33 %RH	
Type d'Étalonnage:						

[Signature]
2017-03-16



CERTIFICAT D'ÉTALONNAGE

No.Certificat: CE-EM-127 27/02/17

CLIENT	
Compagnie:	Services Polytests Inc.
Adresse:	695 B rue Gaudette St-Jean-sur-Richelieu, Québec, J3B 7S7

SPÉCIFICATION DE CALIBRATION	
Procédure de service:	4IN9106
Précision requise:	± 1"Hg
Fréquence d'étalonnage: (jours)	365

SPÉCIFICATION DE L'INSTRUMENT			
Type d'instrument:	Manomètre	Type d'entrée:	Pression
Manufacturier:	Dwyer	Type de sortie:	Digitale
No. Model:	DPG200	Type de mesure:	Pression
No. Série:	N.A.	Gamme:	0-28"Hg
Emplacement:	N.A.	No. Machine:	N.A.

Instrumentation Saint-Laurent Inc. Certifie que l'instrument ci-dessus, rencontre ou excède les spécifications établies par le fabricant. Le système qualité de l'entreprise est conforme aux exigences de la norme ISO 17025 et les étalons utilisés pour effectuer l'étalonnage ont été vérifiés au CNRC ainsi qu'au NIST. Le degré d'incertitude est basé sur un niveau de confiance de 95%, k=2.

DATE D'ÉTALONNAGE / ÉMISSION DU CERTIFICAT	
Date d'Étalonnage:	27 Février 2017
Date du prochain Étalonnage:	27 Février 2018
Date d'émission du certificat:	27 Février 2017

CONFORMITÉ D'ÉTALONNAGE		
	Avant	Après
Conforme:	X	X
Non Conforme:		

Le Service d'évaluation des laboratoires d'étalonnage (CLAS) du Conseil national de recherches du Canada (CNRC) a évalué et certifié la capacité d'étalonnage du laboratoire et la traçabilité au Système international d'unités (SI) ou à des étalons acceptables selon le CLAS. Le présent certificat d'étalonnage est délivré conformément aux conditions de certification du CLAS et aux conditions d'accréditation du Conseil canadien des normes (CCN). Numéro d'accréditation du CCN: # 569. Le CLAS et le CCN ne garantissent pas l'exactitude des étalonnages individuels effectués par les laboratoires accrédités.

Stéphane - Technicien

CERTIFICAT D'ÉTALONNAGE

9900 Chemin de la Côte-de-Liesée, Lachine, QC H8T 1A1
www.dispersion.ca 1.866.390.5066

Client :	Polytests	No. du Certificat :	152-4BB901-182
Adresse :	695 B rue Gaudette St-Jean-sur-Richelieu, QC J3B7S7	Date d'étalonnage :	09-01-2018

Technicien:
Simeonidis, Georgios



David Llorens, Responsable Qualité


DESCRIPTION DU SERVICE:

Description des masses :	ASTM E817	Date d'approbation :	09-01-2018
Classe de précision :	ASTM 1	Date prochain étalonnage :	09-01-2023
Densité :	7.95g/cm ³	Accréditation CCN n. :	668
Identification (si unique) :	(items multiples)	Certification CLAS n. :	2010-01
Condition d'essai :	Temp °C: 21.265	Pression kPa: 101.565	Humidité: 49.58

NOTES:

Pour l'étalonnage des masses, nous utilisons la procédure "Comparaison individuelle" PDL-09-MG-001 et la procédure "Détermination des incertitudes" PDL-09-MG-002. Le droit d'auteur du présent certificat appartient au laboratoire délivreur et doit être reproduit intégralement, à moins d'une autorisation écrite du laboratoire délivreur.

REMARQUES:



11 JANV 2018
page 1 de 5

CERTIFICAT D'ÉTALONNAGE

9900 Chemin de la Côte-de-Liesse, Lachine, QC H8T 1A1
www.dispersion.ca 1.866.390.5066

BALANCES UTILISÉES

Pour l'étalonnage manuel :

> 5 kg à 25 kg :	Mettler Toledo XP32003L, SNR 1123271214, max. 32100 g, d = 0.005 g
> 1 kg à 5 kg :	Mettler Toledo PR5003, SNR 1115311634, max. 5100 g, d = 0.001 g
> 300 g à 2 kg :	Mettler Toledo XP2004S, SNR B131185222, max. 2100 g, d = 0.1 mg
> 100 g à 200 g :	Mettler Toledo AT201 SNR BA1115230146, max. 205 g, d = 0.01 mg
> 5 g à 100 g :	Mettler Toledo AX106 SNR 1127063924, max. 111 g, d = 1 µg
1 mg à 5 g :	Mettler UMX5, SNR 1121103055, max. 5.1 g, d = 0.1 µg

Pour l'étalonnage automatisé :

> 200 g à 1 kg :	Mettler Toledo AX1005 SNR 1127063210, max. 1109 g, d = 0.01 mg
> 5 g à 100 g :	Mettler Toledo AX106 SNR 1120143015, max. 111 g, d = 1 µg
1 mg à 5 g :	Mettler UMX5, SNR 1125140561, max. 5.1 g, d = 0.1 µg

Les balances sont vérifiées selon notre procédure de contrôle périodique PDL-11-MG-001.

INCERTITUDES:

Les incertitudes que nous retrouvons comprennent :

1. L'incertitude associée à l'opération de pesage.
2. L'incertitude associée à la densité de l'air.
3. L'incertitude associée à l'étalon utilisé.
4. L'incertitude associée à la densité de la masse à être étalonnée.

L'incertitude de l'opération de pesage comprend la reproductibilité à long terme.

Les incertitudes précisées dans ce rapport sont des incertitudes élargies représentant un niveau de confiance d'approximativement 95 %, obtenu en multipliant ensemble l'incertitude-type composée par un facteur de couverture de $k = 2$. Pour de plus amples renseignements, veuillez consulter la publication GUM (Guide pour l'expression de l'incertitude de mesure, édition de 1995).

TRAÇABILITÉ

Le Service d'évaluation de laboratoires d'étalonnage (CLAS) du Conseil national de recherches du Canada (CNRC) a évalué et a certifié des capacités d'étalonnage spécifiques de ce laboratoire et leur traçabilité à des étalons nationaux de mesure reconnus et au Système international d'unités (SI). Ce certificat d'étalonnage est émis conformément aux conditions de certification accordées par CLAS et aux conditions d'accréditation accordées par le Conseil canadien des normes (CCN). Le CLAS pas plus que le CCN ne peut garantir l'exactitude des étalonnages individuels effectués par des laboratoires accrédités.

S.P.

CERTIFICAT D'ÉTALONNAGE

9900 Chemin de la Côte-de-Liesse, Lachine, QC H8T 1A1
www.dispersion.ca 1.866.390.5086

RÉFÉRENCES UTILISÉES

Poids	No de série	Fabricant	Date d'étalonnage	Date due
20kg	69976	Troemner	30-05-2017	30-05-2018
5kg	129099	Mettler Toledo	02-09-2017	02-09-2018
5kg	96-0888-50-3	Denver Instrument Company	02-09-2017	02-09-2018
2kg	129098	Mettler Toledo	02-09-2017	02-09-2018
2kg	96-0888-50-3	Denver Instrument Company	02-09-2017	02-09-2018
300g	96-0888-50-2	Denver Instrument Company	02-09-2017	02-09-2018
1kg - 1mg	MT-01	Mettler Toledo	02-09-2017	02-09-2018

ÉTALONS CERTIFIÉS PAR LE CNRC(Référence NRC MS-2016-0021)

Poids	No de série	Fabricant	Date d'étalonnage	Date due
100g	95170	Mettler Toledo	17-10-2016	17-10-2018
10kg	129100	Mettler Toledo	17-10-2016	17-10-2018
1kg	95171	Mettler Toledo	17-10-2016	17-10-2018

RÉFÉRENCES DE LA STATION ROBOTISÉE

Poids	No de série	Fabricant	Date d'étalonnage	Date due
1kg - 1mg	DK000A132	Laboratoire Dispersion	01-08-2017	01-08-2018



CERTIFICAT D'ÉTALONNAGE

9900 Chemin de la Côte-de-Liesse, Lachinc, QC H8T 1A1
www.dispersion.ca | 1.866.390.5066

Client :	Polytests	No. du Certificat :	142-439505-171-2130
Adresse :	695 B rue Gaudette St-Jean-sur-Richelieu, QC J3B7S7	Date d'étalonnage :	18-05-2017

Technicien:

Gatto, Angelo


David Liorens, Responsable Qualité

DESCRIPTION DU SERVICE:

Modèle de Balance :	PA214	Méthode :	ISO 17025
Manufacturier :	Ohaus	Date d'approbation :	23-05-2017
Numéro de Série :	8331230529	Date prochain étalonnage :	23-05-2018
Numéro d'identification :		accréditation CCN n. :	668
Capacité :	210g	Certification CLAS n. :	2010-01
Résolution:	0.0001g		

Condition d'essai :	Temp °C: 15.6	Pression kPa: 101	Humidité %: 45.6
----------------------------	----------------------	--------------------------	-------------------------

Note: Les conditions environnementales ne sont pas utilisées dans le calcul de l'incertitude.

CETTE BALANCE RENCONTRE LES SPÉCIFICATIONS SUIVANTES:

Type de test :	Manufacturier
Excentricité:	<input checked="" type="checkbox"/> Oui <input type="checkbox"/> Non
Linéarité:	<input checked="" type="checkbox"/> Oui <input type="checkbox"/> Non
Sensibilité:	<input checked="" type="checkbox"/> Oui <input type="checkbox"/> Non
Répétabilité:	<input checked="" type="checkbox"/> Oui <input type="checkbox"/> Non

NOTES:

Cette balance a été certifiée selon la procédure de travail PDL-09-MG-010 (certification de balance analytique et à plateau) et la et la procédure PDL-09-MG-012 (détermination des incertitudes de pesées). Nos étalons sont certifiés à chaque année. Le droit d'auteur du présent certificat appartient au laboratoire délivreur et doit être reproduit intégralement, à moins d'une autorisation écrite du laboratoire délivreur.

23. MA. 2017

CERTIFICAT D'ÉTALONNAGE

9900 Chemin de la Côte-de-Liesse, Lachine, QC H8T 1A1
www.dispersion.ca - 1.866.390.5066

Client :	Polytests	No. du Certificat :	142-439505-171-2130
Adresse :	695 B rue Gaudette St-Jean-sur-Richelieu, QC J3B7S7	Accréditation CCN n. :	668
		Certification CLAS n. :	2010-01
		Modèle de Balance :	PA214
Méthode :	ISO 17025	Date d'étalonnage :	18-05-2017
		Date du prochain étalonnage :	23-05-2018

TEST D'EXCENTRICITÉ:

Poids Test: 50 g Tolérance 0.0003 g
(Note: Le Poids Test est taré au centre du plateau de pesée)

Position	Avant Ajustement	Après Ajustement	
1: Centre:	0.0000 g	---	
2: Avant Gauche:	0.0001 g	---	
3: Arrière Gauche:	-0.0001 g	---	
4: Arrière Droit:	0.0000 g	---	
5: Avant Droit:	-0.0003 g	---	
Résultats	0.0003 g	---	
STATUT	CONFORME	N/A	

TEST DE LINÉARITÉ:

Méthode: Substitution Plage: 210 g Poids Test: 50 g Tolérance: 0.0002 g

Pré-Charge	Avant Ajustement	Après Ajustement	
0.0000 g	50.0000 g	---	
50.0000 g	50.0001 g	---	
100.0000 g	50.0002 g	---	
150.0000 g	50.0001 g	---	
---	---	---	
Résultats	0.00010 g	---	
STATUT	CONFORME	N/A	

TEST DE SENSIBILITÉ:

Valeur de masse conventionnelle: 200.0001 g Tolérance: 0.0004 g

	Avant Ajustement	Après Ajustement	$S = \frac{\Delta W}{\Delta m}$
Lecture:	199.9998 g	---	
Résultats:	0.0003 g	---	
STATUT	CONFORME	N/A	

CERTIFICAT D'ÉTALONNAGE

9900 Chemin de la Côte-de-Liesse, Lachine, QC H8T 1A1
www.dispersion.ca 1.866.390.5066

Cliant :	Polyests	No. du Certificat :	142-439505-171-2130
Adresse :	695 B rue Gaudette St-Jean-sur-Richelieu, QC J3B7S7	Accréditation CCN n. :	668
		Certification CLAS n. :	2010-01
		Modèle de Balance :	PA214
Méthode :	ISO 17025	Date d'étalonnage :	18-05-2017
		Date du prochain étalonnage :	23-05-2018

TEST DE RÉPÉTABILITÉ:

AVANT AJUSTEMENT:

Charge Utilisée:
100.0000 g

Tolérance:
0.00010 g

Résolution d'affichage:
0.0001 g

Moyenne:
100.00001 g

Écart-type:
0.00003 g

#	Vide	Chargé	Différence
1	0.0000 g	100.0000 g	100.0000 g
2	0.0000 g	100.0000 g	100.0000 g
3	0.0000 g	100.0000 g	100.0000 g
4	0.0000 g	100.0000 g	100.0000 g
5	0.0000 g	100.0001 g	100.0001 g
6	0.0000 g	100.0000 g	100.0000 g
7	0.0000 g	100.0000 g	100.0000 g
8	0.0000 g	100.0000 g	100.0000 g
9	0.0000 g	100.0000 g	100.0000 g
10	0.0000 g	100.0000 g	100.0000 g

Statut : **CONFORME**

APRÈS AJUSTEMENT:

Charge Utilisée:

Tolérance:
0.00010 g

Résolution d'affichage:
0.0001 g

Moyenne:

Écart-type:

#	Vide	Chargé	Différence
1	---	---	---
2	---	---	---
3	---	---	---
4	---	---	---
5	---	---	---
6	---	---	---
7	---	---	---
8	---	---	---
9	---	---	---
10	---	---	---

Statut : **N/A**

CERTIFICAT D'ÉTALONNAGE

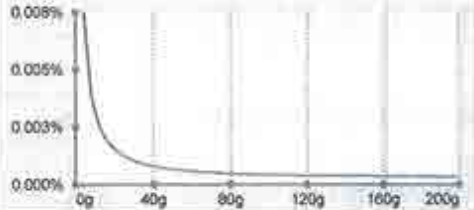
9900 Chemin de la Côte-de-Liesse, Lachinc, QC H8T 1A1
www.dispersion.ca 1.866.390.5066

INCERTITUDE AVANT AJUSTEMENT :

$$Uc = \sqrt{(u_{(cr)})^2 + s_p^2 + u_{(l)}^2 + u_{(dr)}^2 + u_{(s)}^2}$$

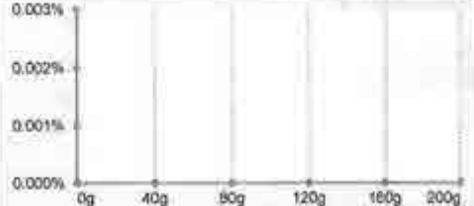
- $u_{(cr)}$ = Incertitude reliée à l'étalon utilisé
- s_p = Incertitude de l'écart-type
- $u_{(l)}$ = Incertitude associée à la linéarité
- $u_{(dr)}$ = Incertitude associée à résolution si $S_p = 0$
- $u_{(s)}$ = Incertitude liée à la sensibilité (span)

Valeur	Incertitude	Incertitude (%)
12.5000 g	0.00017 g	0.001329 %
25.0000 g	0.00018 g	0.000727 %
50.0000 g	0.00023 g	0.000468 %
100.0000 g	0.00038 g	0.000376 %
200.0000 g	0.00073 g	0.000364 %



INCERTITUDE APRÈS AJUSTEMENT :

Valeur	Incertitude	Incertitude (%)
---	---	---
---	---	---
---	---	---
---	---	---



NOTES :

De ces valeurs d'incertitudes, seule la valeur surlignée est calculée selon ISO17025:2005, les autres étant estimées jusqu'au résultat de l'incertitude minimale. Dans le calcul de cette incertitude, l'écart-type utilisé est de 0,577d (où d est la précision d'affichage de la balance) lorsque cet écart-type est plus inférieur à 0,577d.

CERTIFICAT D'ÉTALONNAGE

9900 Chemin de la Côte-de-Liesse, Lachine, QC H8T 1A1
www.dispersion.ca 1.866.390.5066

RÉFÉRENCE

ENSEMBLE DE RÉFÉRENCE:

Référence	No de série	Fabricant	Date d'étalonnage
1mg-5kg	DK000A175	Dispersion	23-08-2016

INCERTITUDES:

Les incertitudes que nous retrouvons comprennent :

1. L'incertitude associée à l'opération de pesage.
2. L'incertitude associée à l'écart-type.
3. L'incertitude associée à l'étalon utilisé.
4. L'incertitude associée à la résolution de l'appareil.

L'incertitude de l'opération de pesage comprend la reproductibilité à long terme.

Les incertitudes précisées dans ce rapport sont des incertitudes élargies représentant un niveau de confiance d'approximativement 95 %, obtenu en multipliant ensemble l'incertitude-type composée par un facteur de couverture de $k = 2$. Pour de plus amples renseignements, veuillez consulter la publication GUM (Guide pour l'expression de l'incertitude de mesure, édition de 1995).

TRAÇABILITÉ

Le Service d'évaluation de laboratoires d'étalonnage (CLAS) du Conseil national de recherches du Canada (CNRC) a évalué et a certifié des capacités d'étalonnage spécifiques de ce laboratoire et leur traçabilité à des étalons nationaux de mesure reconnus et au Système international d'unités (SI). Ce certificat d'étalonnage est émis conformément aux conditions de certification accordées par CLAS et aux conditions d'accréditation accordées par le Conseil canadien des normes (CCN). Le CLAS pas plus que le CCN ne peut garantir l'exactitude des étalonnages individuels effectués par des laboratoires accrédités.

REMARQUES:



CERTIFICAT D'ÉTALONNAGE

No.Certificat: CE-EM-015 28/02/17

CLIENT		SPÉCIFICATION DE CALIBRATION	
Compagnie:	Services Polytests Inc	Procédure de service:	4IN9101
Adresse:	695 B rue Gaudette	Précision requise:	+/- 2°C
	St-Jean-sur-Richelieu, Québec, J3B 7S7	Fréquence d'étalonnage: (jours)	365

SPÉCIFICATION DE L'INSTRUMENT			
Type d'instrument:	Enregistreur	Type d'entrée:	Temp
Manufacturier:	Keithley	Type de sortie:	Digitale
No. Model:	7700	Type de mesure:	Température
No. Série:	1213648	Gamme:	Divers
Emplacement:	N/A	No. Machine:	N.A.

SPÉCIFICATION DE L'ÉTALON			
Étalon Utilisé:	Fluke 744	No. du certificat d'étalonnage:	AC16061306
No. Série:	7798010	Dernière date d'étalonnage:	27-Jun-16
Certificat fait par:	Alpha Controls	Prochaine date d'étalonnage:	27-Jun-17
Commentaire:			

RÉSULTAT D'ÉTALONNAGE						
Entrée Source	Valeur Donnée	Valeur Actuelle	Erreur de Déviation	Valeur après Étalonnage	Incertitude Élargie	Commentaire
-190.0 °C	-190.0 °C	-190.7 °C	-0.7 °C	-190.7 °C	1.0 °C	Input#1TypeK
0.0 °C	0.0 °C	-0.3 °C	-0.3 °C	-0.3 °C	1.0 °C	Input#1TypeK
750.0 °C	750.0 °C	749.7 °C	-0.3 °C	749.7 °C	1.0 °C	Input#1TypeK
100.0 °C	100.0 °C	99.7 °C	-0.3 °C	99.7 °C	1.0 °C	Input#2 TypeK
100.0 °C	100.0 °C	99.7 °C	-0.3 °C	99.7 °C	1.0 °C	Input#3 TypeK
100.0 °C	100.0 °C	99.7 °C	-0.3 °C	99.7 °C	1.0 °C	Input#4 TypeK
100.0 °C	100.0 °C	99.7 °C	-0.3 °C	99.7 °C	1.0 °C	Input#5TypeK
100.0 °C	100.0 °C	99.7 °C	-0.3 °C	99.7 °C	1.0 °C	Input#6TypeK
100.0 °C	100.0 °C	99.8 °C	-0.2 °C	99.8 °C	1.0 °C	Input#7TypeK
100.0 °C	100.0 °C	99.8 °C	-0.2 °C	99.8 °C	1.0 °C	Input#8TypeK
100.0 °C	100.0 °C	99.8 °C	-0.2 °C	99.8 °C	1.0 °C	Input#9TypeK
100.0 °C	100.0 °C	99.9 °C	-0.1 °C	99.9 °C	1.0 °C	Input#10TypeJ
100.0 °C	100.0 °C	99.7 °C	-0.3 °C	99.7 °C	1.0 °C	Input#11TypeJ
100.0 °C	100.0 °C	99.8 °C	-0.2 °C	99.8 °C	1.0 °C	Input#12TypeJ
100.0 °C	100.0 °C	99.8 °C	-0.2 °C	99.8 °C	1.0 °C	Input#13 TypeJ
100.0 °C	100.0 °C	99.9 °C	-0.1 °C	99.9 °C	1.0 °C	Input#14TypeJ
100.0 °C	100.0 °C	99.9 °C	-0.1 °C	99.9 °C	1.0 °C	Input#15 TypeJ
100.0 °C	100.0 °C	99.9 °C	-0.1 °C	99.9 °C	1.0 °C	Input#16TypeJ
100.0 °C	100.0 °C	99.9 °C	-0.1 °C	99.9 °C	1.0 °C	Input#17TypeJ
100.0 °C	100.0 °C	99.9 °C	-0.1 °C	99.9 °C	1.0 °C	Input#18TypeJ
100.0 °C	100.0 °C	99.9 °C	-0.1 °C	99.9 °C	1.0 °C	Input#19TypeJ
100.0 °C	100.0 °C	99.9 °C	-0.1 °C	99.9 °C	1.0 °C	Input#20TypeJ
12.000 mA	12.000 mA	12.002 mA	+0.002 mA	12.002 mA	1.00 mA	Input#21
12.000 mA	12.000 mA	12.002 mA	+0.002 mA	12.002 mA	1.00 mA	Input#22
Conditions Environnementales:			Température: 18 °C	Humidité: 34 %RH		



CERTIFICAT D'ÉTALONNAGE

No. Certificat: CE-EM-015 28/02/17

CLIENT	
Compagnie:	Services Polytests Inc
Adresse:	695 B rue Gaudette St-Jean-sur-Richelieu, Québec, J3B 7S7

SPÉCIFICATION DE CALIBRATION	
Procédure de service:	4IN9101
Précision requise:	+/- 2°C
Fréquence d'étalonnage: (jours)	365

SPÉCIFICATION DE L'INSTRUMENT			
Type d'instrument:	Enregistreur	Type d'entrée:	Temp
Manufacturier:	Keithley	Type de sortie:	Digitale
No. Model:	7700	Type de mesure:	Température
No. Série:	1213648	Gamme:	Divers
Emplacement:	N/A	No. Machine:	N.A.

Type d'Étalonnage: Test avec EM-047

Instrumentation St-Laurent Inc. Certifie que l'instrument ci-haut, respecte ou excède les spécifications établies par le fabricant. Le système qualité de l'entreprise est conforme aux exigences de la norme ISO 17025 et les étalons utilisés pour effectuer l'étalonnage est relié au CNRC et/ou au NIST. Le degré d'incertitude est basé sur un niveau de confiance=95% K=2.

DATE D'ÉTALONNAGE / ÉMISSION DU CERTIFICAT	
Date d'Étalonnage:	28 Février 2017
Date du prochain Étalonnage:	28 Février 2018
Date d'émission du certificat:	28 Février 2017

CONFORMITÉ D'ÉTALONNAGE		
	Avant	Après
Conforme:	X	X
Non Conforme:		

Le Service d'évaluation des laboratoires d'étalonnage (CLAS) du Conseil national de recherches du Canada (CNRC) a évalué et certifié la capacité d'étalonnage du laboratoire et la traçabilité au Système international d'unités (SI) ou à des étalons acceptables selon le CLAS. Le présent certificat d'étalonnage est délivré conformément aux conditions de certification du CLAS et aux conditions d'accréditation du Conseil canadien des normes (CCN). Numéro d'accréditation du CCN: # 689. Le CLAS et le CCN ne garantissent pas l'exactitude des étalonnages individuels effectués par les laboratoires accrédités.



Stéphane - Technicien

[Signature]
2017-03-16



CERTIFICAT D'ÉTALONNAGE # 7274

Date d'étalonnage : 2017-09-29
Date d'émission du certificat : 2017-09-29

Services Polytests
695 B Gaudette street
St-Jean-sur-Richelieu, Québec, Canada
J3B 7S7

Étalonnage d'un
Débitmètre volumétrique American Meter Company DTM-200A S/N : 99A274209

CONFORMITÉ AU PROGRAMME DE QUALITÉ

Tous les étalonnages sont effectués conformément au manuel d'assurance qualité de Polycontrols et sont conformes à la norme ISO/IEC 17025 – 2005, à la norme ISO 9001 – 2008 ainsi qu'à tout autre exigences de qualité définies dans la description d'achat des clients.

TRAÇABILITÉ

La traçabilité des étalons de débit au National Institute of Standards and Technology, NIST, est maintenue par les laboratoires de Fluke Corporation de Phoenix, Arizona et est conforme aux normes ISO/IEC 17025, AINSI/NCSL Z540-1-1994, ISO-10012-1, MIL-STD 45662A.

Le Service d'évaluation des laboratoires d'étalonnage (CLAS) du Conseil national de recherches du Canada (CNRC) a évalué et certifié la capacité d'étalonnage du laboratoire et la traçabilité au Système international d'unités (SI) ou à des étalons acceptables selon le CLAS. Le présent certificat d'étalonnage est délivré conformément aux conditions de certification du CLAS et aux conditions d'accréditation du Conseil canadien des normes (CCN). Le CLAS et le CCN ne garantissent pas l'exactitude des étalonnages individuels effectués par les laboratoires accrédités.

APTITUDE EN MATIÈRE DE MESURE ET D'ÉTALONNAGE - CMC

Les références utilisées pour l'étalonnage de débit ont une incertitude de $\pm 0.2\%$ de la lecture pour les mesures entre 5 SCCM à 10 SLPM, $\pm 0.3\%$ de la lecture pour les mesures entre 10 SLPM à 30 SLPM, $\pm 0.2\%$ de la lecture pour les mesures entre 30 SLPM à 3000 SLPM, $\pm 0.3\%$ de la lecture pour les mesures supérieures à 3000 SLPM jusqu'à 6000 SLPM et $\pm 0.5\%$ pour les mesures inférieures à 5 SCCM jusqu'à concurrence de 1 SCCM, équivalent air ou azote. Les incertitudes exprimées sont élargies avec un facteur d'élargissement $k = 2$, et ce, pour un niveau de confiance d'environ 95 %, dans l'hypothèse d'une distribution normale incluant la résolution de l'instrument. Le rapport d'incertitude des essais (RIE) de cet étalonnage respecte un ratio de 4:1 à moins d'indication contraire.

SOMMAIRE DES CONDITIONS DE L'INSTRUMENT EN TEST

Conditions initiales	En bon état
Travail Effectué	Étalonnage de l'instrument Lectures Initiales = Lectures finales, aucun ajustement
Résultats	Lectures finales dans les tolérances
Remarques	Fréquence d'étalonnage aux 12 mois

Métrologiste

Responsable du laboratoire

Certificat d'étalonnage # 7274

Numero de série:	99A274209	Station de mesure:	3
Date d'étalonnage:	2017-09-29	Procédure:	POS-CAL-005
Identification de l'instrument:	EM-130		

Instrument de mesure de référence utilisé pour l'étalonnage final

Description	Modèle	# Série	Traçabilité	Date dû
DHI molbloc (120 slpm)	2E2-S	237	1500210395	2017-12-28
DHI molbloc (30 slpm)	3E4-VCR-V-Q	3444	1500218603	2018-06-05
DHI molbox1	Molbox1	755	1500215634	2018-04-18
RTD Mist	M22	1871501	2017002165	2018-04-20
Module 44.5 PSI avec Baro 163671	Module 30	160659	2017002162	2018-04-26

Spécifications finales de l'appareil

Condition d'étalonnage

Spécifications finales de l'appareil		Condition d'étalonnage	
Gaz	Air	Gaz	Air
Température d'opération		Température ambiante	24 °C
Pression à l'entrée		Pression ambiante	1010.52 mbar
Pression à la sortie		Orientation	Verticale
Température de référence		Élastomère	Viton
Pression de référence		Valve	Viton
Étendue d'échelle	0-200 ACFH		
Signaux Entrée/Sortie	-		
Alimentation			
Tolérance	±1 %O.R.		

Lectures finales

Débit du test ACFH	Instrument en test ft³	Valeurs mesurées			Référence calculée ft³	Erreur calculée ft³	Tolérance acceptable ft³	TUR
		Pression PSIA	Température °C	Référence ft³				
41.7507	6.920	14.671	23.16	6.879	6.939	-0.019	0.069	2.92
70.7794	11.810	14.765	22.18	11.805	11.793	0.017	0.118	3.99
160.2473	26.690	14.870	22.27	26.906	26.697	-0.007	0.267	>4

Fct. cor : 1.00274566

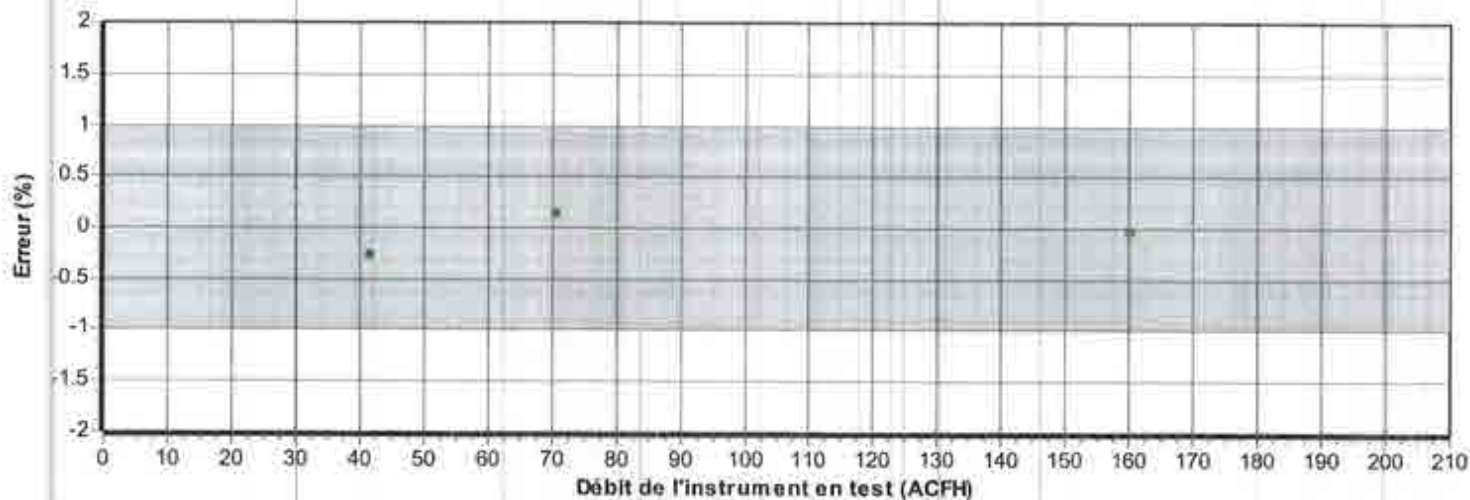
[Signature]
3 oct 2017

[Signature]
Signature

Certificat d'étalonnage # 7274

Numéro de série:	99A274209	Station de mesure:	3
Date d'étalonnage:	2017-09-29	Procédure:	POS-CAL-005
Identification de l'instrument:	EM-130		

Résultats finaux



- La mesure (et son incertitude) se situe dans les tolérances
- La mesure (et son incertitude) se situe hors tolérance
- La mesure (et son incertitude) ne rencontre pas la marge de sécurité tel que spécifié dans le document G-8 de l'ILAC

[Signature]
30 Oct 2017

[Signature]
Signature



CERTIFICAT D'ÉTALONNAGE

No.Certificat: CE-EM-136 01/03/17

CLIENT	
Compagnie:	Services Polytests Inc
Adresse:	695 B rue Gaudette St-Jean-sur-Richelieu, Québec, J3B 7S7

SPÉCIFICATION DE CALIBRATION	
Procédure de service:	ISL-004
Précision requise:	+/-2°C +/-3%RH
Fréquence d'étalonnage: (jours)	365

SPÉCIFICATION DE L'INSTRUMENT			
Type d'instrument:	Hygromètre	Type d'entrée:	Temp/%RH
Manufacturier:	Fluke	Type de sortie:	Digitale
No. Model:	971	Type de mesure:	Temp/humidité
No. Série:	10610850	Gamme:	5-95%RH -20a60°C
Emplacement:	N.A.	No. Machine:	N.A.

SPÉCIFICATION DE L'ÉTALON			
Étalon Utilisé:	Vaisala Portable 1	No. du certificat d'étalonnage:	AC16071314
No. Série:	U4840010/U4920031	Dernière date d'étalonnage:	21-Jul-16
Certificat fait par:	Alpha Controls	Prochaine date d'étalonnage:	21-Jul-17
Commentaire:			

RÉSULTAT D'ÉTALONNAGE						
Entrée Source	Valeur Donnée	Valeur Actuelle	Erreur de Déviation	Valeur après Étalonnage	Incertitude Élargie	Commentaire
25.0 °C	25.0 °C	25.2 °C	+0.2 °C	25.2 °C	1.0 °C	
40.0 °C	40.0 °C	40.2 °C	+0.2 °C	40.2 °C	1.0 °C	
33.0 %RH	33.0 %RH	32.9 %RH	-0.1 %RH	32.9 %RH	3.0 %RH	
50.0 %RH	50.0 %RH	50.6 %RH	+0.6 %RH	50.6 %RH	3.0 %RH	
80.0 %RH	80.0 %RH	80.9 %RH	+0.9 %RH	80.9 %RH	3.0 %RH	
Conditions Environnementales: Température: 22 °C Humidité: 35 %RH						
Type d'Étalonnage:						

Instrumentation St Laurent Inc. Certifie que l'instrument ci-dessus respecte ou excède les spécifications établies par le fabricant. La systématique qualité de l'entreprise est conforme aux exigences de la norme ISO 17025 et les étalons utilisés pour effectuer l'étalonnage ont été calibrés au CNRC et/ou au NIST. Le degré d'incertitude est basé sur un niveau de confiance de 95%. K=2

DATE D'ÉTALONNAGE / ÉMISSION DU CERTIFICAT	
Date d'Étalonnage:	1 Mars 2017
Date du prochain Étalonnage:	1 Mars 2018
Date d'émission du certificat:	1 Mars 2017

CONFORMITÉ D'ÉTALONNAGE		
	Avant	Après
Conforme:	X	X
Non Conforme:		

Le Service d'évaluation des laboratoires d'étalonnage (CLAS) du Conseil national de recherches du Canada (CNRC) a évalué et certifié la capacité d'étalonnage du laboratoire et la traçabilité au Système international d'unités (SI) ou à des étalons acceptables selon le CLAS. Le présent certificat d'étalonnage est délivré conformément aux conditions de certification du CLAS et aux conditions d'accréditation du Conseil canadien des normes (CCN). Numéro d'accréditation du CCN: # 669. Le CLAS et le CCN ne garantissent pas l'exactitude des étalonnages individuels effectués par les laboratoires accrédités.

Stéphane - Technicien

2017-03-16

CERTIFICATE OF NIST TRACEABLE CALIBRATION

Calibration Certificate No: 63484

Customer Information

Customer: Services Polytests, Inc.
Address : 695-B Gaudette
St-Jean-sur-richelieu
J3B 7S7
Customer PO #: 100431



**LABORATORY
ACCREDITATION
BUREAU** a division of A5-B
ACCREDITED ISO/IEC 17025
Certificate # L2115-1 Calibration

Calibration Procedure Information

Procedure ID: GTP AIRVEL

Revision #: 6

Revision Date: 1/6/2013

Calibration Standards Information

<u>Graffel ID</u>	<u>Manufacturer</u>	<u>Model #</u>	<u>Description</u>	<u>CAL Due</u>
10017	Hart Scientific/Burns	1502A/3925	Thermometer	2/18/2018
10086	Furness Controls	FC0332	DP Transmitter	6/6/2018
10100	Graffel	n/a	Temperature	10/29/2019
10155	HOBO	UX100-011	RH/Temp logger	11/15/2017
10171	Furness	FC0332-2W	0 - 4" H2O	11/10/2017
10187	Vaisala	PTB210	Barometric Pressure Gauge	12/6/2017

Sensor Information

Manufacturer: Omega

Description: Anemometer

Method Used: Pitot Tube

Model #: HHF143

Rated Accuracy: ± See Attachment

Accuracy Specified By: Omega

Instrument ID#: EM153

Range: 40 to 7800 fpm

Condition: Functional

Serial #: 1015949

Comments: Calibration Date: 08/22/2017 *Limited calibration up to 5000 fpm
Calibration Due: 08/22/2018

The instruments(s) listed on this certificate have been calibrated against standards traceable to the National Institute of Standards & Technology (NIST) or compared to nationally or internationally recognized consensus standards. The reported calibration uncertainty has a confidence level of 95% (k=2). A calibration uncertainty ratio of 4:1 was maintained unless required uncertainty is supported by analysis. Graffel, LLC. Quality Assurance System complies with applicable requirements of ISO/IEC-17025-2005, ANSI/NCCL Z540-1-1994 and ISO 9001: 2008. All results contained within this certificate relate only to item(s) calibrated. This certificate shall not be reproduced except in full and with the written consent of Graffel, LLC. Acceptance Criteria per Simple Acceptance Rule: Measurement Uncertainty is not applied to the measured value when in/out of tolerance statement is made.

Performed By:

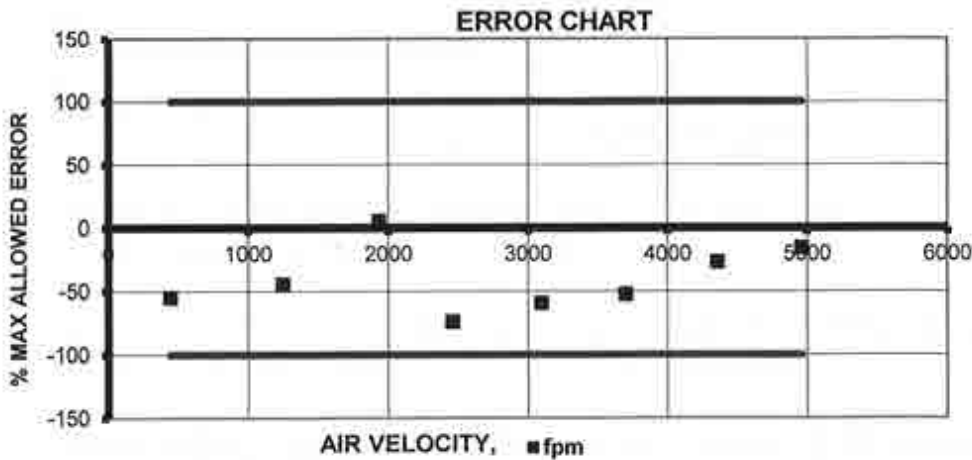
Date: 8/22/2017

D. Paras
Calibration Technician

**ATTACHMENT TO CALIBRATION CERTIFICATE 63484
AS FOUND/AS LEFT DATA**

Page 2 of 2

Reading From Standard,	Lower Limit of Meter Reading,	Measured Reading From Meter,	Upper Limit of Meter Reading,	Error,	Measurement Uncertainty,	STATUS
Actual Air Velocity						
fpm	fpm	fpm	fpm	fpm	fpm	
446	441	443	451	-3	2.23	Pass
1249	1236	1243	1262	-6	6.25	Pass
1932	1912	1933	1952	1	9.66	Pass
2459	2433	2440	2485	-19	12.30	Pass
3096	3064	3077	3128	-19	15.48	Pass
3701	3663	3681	3739	-20	18.51	Pass
4361	4316	4349	4406	-12	21.81	Pass
4960	4909	4952	5011	-8	24.8	Pass



INSTRUMENT SPECIFICATIONS		
Test Fluid	Air	
Lower Range	40	fpm
Upper Range	7800	fpm
Rated Accuracy	+/- 1% reading +/-1 digit	
LABORATORY AMBIENT CONDITIONS		
Pressure	14.42	psia
Humidity	51.10	% RH
Temperature	78.65	F



Flow - Humidity - Temperature - Pressure - Design - Consulting - Engineering

NIST Traceable Calibration Data Sheet

Graftel, LLC, 870 Cambridge Drive, Elk Grove Village, IL 60007
P. 847-364-2600 F. 847-364-2899

www.graftel.com

[Signature]
Sept 5th 2017



CERTIFICAT D'ÉTALONNAGE

No. Certificat: CE-EM-154 28/02/17

CLIENT		SPÉCIFICATION DE CALIBRATION	
Compagnie:	Services Polytests Inc	Procédure de service:	4IN9101
Adresse:	695 B rue Gaudette	Précision requise:	+/- 2°C
	St-Jean-sur-Richelieu, Québec, J3B 7S7	Fréquence d'étalonnage: (jours)	365

SPÉCIFICATION DE L'INSTRUMENT			
Type d'instrument:	Enregistreur	Type d'entrée:	Temp
Manufacturier:	Keithley	Type de sortie:	Digitale
No. Model:	7700	Type de mesure:	Température
No. Série:	1306774	Gamme:	Divers
Emplacement:	N/A	No. Machine:	N.A

SPÉCIFICATION DE L'ÉTALON			
Étalon Utilisé:	Fluke 744	No. du certificat d'étalonnage:	AC16061306
No. Série:	7798010	Dernière date d'étalonnage:	27-Jun-16
Certificat fait par:	Alpha Controls	Prochaine date d'étalonnage:	27-Jun-17
Commentaire:			

RÉSULTAT D'ÉTALONNAGE						
Entrée Source	Valeur Donnée	Valeur Actuelle	Erreur de Déviation	Valeur après Étalonnage	Incertitude Élargie	Commentaire
-17.000 mV	-17.000 mV	-16.948 mV	+0.052 mV	-16.948 mV	0.1 mV	Input#1
0.000 mV	0.000 mV	0.038 mV	+0.038 mV	0.038 mV	0.1 mV	Input#1
20.000 mV	20.000 mV	20.030 mV	+0.030 mV	20.030 mV	0.1 mV	Input#1
30.000 mV	30.000 mV	30.068 mV	+0.068 mV	30.068 mV	0.1 mV	Input#2
Input#3 Non-Conforme						
100.0 °C	100.0 °C	99.5 °C	-0.5 °C	99.5 °C	1.0 °C	Input#4 TypeJ
30.000 mV	30.000 mV	29.518 mV	-0.452 mV	29.518 mV	0.1 mV	Input#5
30.000 mV	30.000 mV	29.574 mV	-0.426 mV	29.574 mV	0.1 mV	Input#6
100.0 Ohms	100.0 Ohms	100.0 Ohms	0.0 Ohms	100.0 Ohms	1.0 Ohms	Input#7
100.0 Ohms	100.0 Ohms	100.0 Ohms	0.0 Ohms	100.0 Ohms	1.0 Ohms	Input#8
100.0 Ohms	100.0 Ohms	99.9 Ohms	-0.1 Ohms	99.9 Ohms	1.0 Ohms	Input#9
100.0 Ohms	100.0 Ohms	99.9 Ohms	-0.1 Ohms	99.9 Ohms	1.0 Ohms	Input#10
100.0 °C	100.0 °C	99.7 °C	-0.3 °C	99.7 °C	1.0 °C	Input#11 TypeT
100.0 °C	100.0 °C	99.7 °C	-0.3 °C	99.7 °C	1.0 °C	Input#12 TypeT
100.0 °C	100.0 °C	99.7 °C	-0.3 °C	99.7 °C	1.0 °C	Input#13 TypeJ
100.0 °C	100.0 °C	99.8 °C	-0.2 °C	99.8 °C	1.0 °C	Input#14 TypeJ
100.0 °C	100.0 °C	99.7 °C	-0.3 °C	99.7 °C	1.0 °C	Input#15 TypeJ
100.0 °C	100.0 °C	99.6 °C	-0.4 °C	99.6 °C	1.0 °C	Input#16 TypeJ
100.0 Ohms	100.0 Ohms	100.2 Ohms	+0.2 Ohms	100.2 Ohms	1.0 Ohms	Input#17
100.0 Ohms	100.0 Ohms	100.1 Ohms	+0.1 Ohms	100.1 Ohms	1.0 Ohms	Input#18
100.0 Ohms	100.0 Ohms	100.2 Ohms	+0.2 Ohms	100.2 Ohms	1.0 Ohms	Input#19
100.0 Ohms	100.0 Ohms	100.1 Ohms	+0.1 Ohms	100.1 Ohms	1.0 Ohms	Input#20
12.000 mA	12.000 mA	12.002 mA	+0.002 mA	12.002 mA	1.00 mA	Input#21
12.000 mA	12.000 mA	12.002 mA	+0.002 mA	12.002 mA	1.00 mA	Input#22
Conditions Environnementales:			Température: 18 °C	Humidité: 33 %RH		



**Instrumentation
Saint-Laurent^{inc.}**
Accrédité ISO 17025



80 rue de la montagne
St-Joseph du lac
(Québec), J0N 1M0
Tél: (450) 473-6169
Fax: (450) 473-5207
Email: inst.st-laurent@videotron.ca

CERTIFICAT D'ÉTALONNAGE

No.Certificat: CE-EM-154 28/02/17

CLIENT	
Compagnie:	Services Polytests Inc.
Adresse:	695 B rue Gaudette St-Jean-sur-Richelieu, Québec, J3B 7S7

SPÉCIFICATION DE CALIBRATION	
Procédure de service:	4IN9101
Précision requise:	$\pm 2^{\circ}\text{C}$
Fréquence d'étalonnage: (jours)	365

SPÉCIFICATION DE L'INSTRUMENT			
Type d'instrument:	Enregistreur	Type d'entrée:	Temp
Manufacturier:	Keithley	Type de sortie:	Digitale
No. Model:	7700	Type de mesure:	Température
No. Série:	1306774	Gamme:	Divers
Emplacement:	N/A	No. Machine:	N.A.
Type d'Étalonnage:	Test avec EM-047		

Instrumentation St-Laurent Inc. Certifie que l'instrument ci-haut, rencontre ou excède les spécifications établies par le fabricant. Le système qualité de l'entreprise est conforme aux exigences de la norme ISO 17025 et les étalons utilisés pour effectuer l'étalonnage est rattaché au CNRC, métro au NIST. Le degré d'incertitude est basé sur un niveau de confiance de 95%, K=2.

DATE D'ÉTALONNAGE / ÉMISSION DU CERTIFICAT	
Date d'Étalonnage:	28 Février 2017
Date du prochain Étalonnage:	28 Février 2018
Date d'émission du certificat:	28 Février 2017

	CONFORMITÉ D'ÉTALONNAGE	
	Avant	Après
Conforme:	X	X
Non Conforme:		

Le Service d'évaluation des laboratoires d'étalonnage (CLAS) du Conseil national de recherches du Canada (CNRC) a évalué et certifié la capacité d'étalonnage du laboratoire et la traçabilité au Système international d'unités (SI) ou à des étalons acceptables selon le CLAS. Le présent certificat d'étalonnage est délivré conformément aux conditions de certification du CLAS et aux conditions d'accréditation du Conseil canadien des normes (CCN). Numéro d'accréditation du CCN: # 669. Le CLAS et le CCN ne garantissent pas l'exactitude des étalonnages individuels effectués par les laboratoires accrédités.

Stéphane - Technicien

2017-03-16



Certificat d'Étalonnage / Certificate of Calibration

CLIENT :
SERVICES POLYTESTS INC.
695-B GAUDETTE
ST-JEAN-SUR-RICHELIEU, QUEBEC

Description: CHRONOMÈTRE / STOPWATCH / TIMER
Fabricant/ Manufacturer: EXTECH
Modèle/ Model : 365510
No série / Serial no : 131636
Inventaire / Asset # : EM-175

CERTIFICAT No / Certificate No: 227991

PROCÉDURE / Procedure :
TRESICAL - EXTECH_365510

Date étalonnage/ Calibration Performed : 2017-12-28

Echéance/ Due Date : 2018-12-28

Type de résultat / Results type : **As-Found = As-Left**

Conditions de mesure / Measurement conditions

Résultats d'essais / Test results : **Conforme / In Tolerance**

TEMPÉRATURE / Temp. : 22°C

Usage restreint/ Restricted use :

HUMIDITÉ / Humidity : 23%RH

Réparation effectuée / Repair performed :

Ajustement effectué / Adjustment performed :


ÉTALONS UTILISÉS/ Standards Used:

Identification	Manuf.	Model	Description	Ser. #	Étalonné/ Cal.	Echéance/ Due
PR0313	H-P	53132A	UNIVERSAL COUNTER	3546A03142	2017-06-20	2018-06-20
PR0392	AGILENT	33250A	FUNCTION/ARBITRARY WAVEFORM GENERATOR	MY40008014	2017-06-19	2019-06-19

Les spécifications mentionnées comme limites de tolérances d'essai sont celles établies par le fabricant, sauf indication contraire.

Test tolerance limits are based on manufacturers specifications unless stated otherwise.

NOTES :


2018-01-11

Technicien :
Technician


M. ZAIDI

Le système qualité de la société est conforme aux exigences de la norme ISO 17025 et les étalons utilisés pour le processus d'étalonnage sont traçables au SI par l'entremise de CNRC et/ou du NIST.

Our quality system complies with the requirements of ISO 17025 and the standards used for the calibration are traceable to SI through NRC and/or NIST.

LE DROIT PROPRIÉTAIRE DE CE CERTIFICAT APPARTIEN À TRESICAL / FRMRO INSTRUMENT INC. CE CERTIFICAT NE PEUT ÊTRE REPRODUIT AUTREMENT QU'EN ENTIER ET AVEC LE CONSENTEMENT PRÉALABLE ÉCRIT DU GROUPE TRESICAL / TRESICAL / FRMRO INSTRUMENT INC. OWNERSHIP OF THIS CERTIFICATE MAY NOT BE REPRODUCED OTHER THAN IN FULL ENTIRETY WITH THE PRIOR WRITTEN CONSENT OF THE TRESICAL GROUP.

CLIENT / Customer :

DESCRIPTION / Description :

MANUFACTURIER / Manufacturer :

MODÈLE / Model :

227991

SERVICES POLYTESTS INC.

CHRONOMÈTRE / STOPWATCH TIMER

EXTECH

365510

DESCRIPTION Description	LIMITES Limits	LECTURES Readings	LIMITES Limits
----------------------------	-------------------	----------------------	-------------------

			Min		Max
Temps écoulé, chronomètre sous test / Elapsed time on test stopwatch					
Minutes	Seconds	1/100 sec		Comptes / Counts Chronomètre/timer	
27	31	15		165115	
Total au compteur / Reference timer:					
(Δt) Déviation (1/100sec): 1.00 Déviation Par jour/ Per day (%): 0.0006 % Déviation Par jour/ Per day (sec): 0.52 sec			* Secondes -3.00	Deviation 24hrs 0.52	* Secondes 3.00
* Tolérances basées sur une déviation maximale de 3 sec/jour * Tolerances based on a 3 sec/day maximum deviation					
Incertitude/ Uncertainty: ±37 ms					
Lorsque fournies dans le rapport, les incertitudes de mesure sont des incertitudes élargies représentant un niveau de confiance d'approximativement 95%, obtenu en multipliant l'incertitude type composée par un facteur de couverture de k=2. When supplied in the report, the measurement uncertainties are expanded uncertainties representing a confidence level of approximately 95%, obtain by multiplying the combined standard uncertainty by a coverage factor of k=2.					

CERTIFICAT D'ÉTALONNAGE # 7275

Date d'étalonnage : 2017-09-29

Date d'émission du certificat : 2017-09-29

Services Polytests
695 B Gaudette street
St-Jean-sur-Richelieu, Québec, Canada
J3B 7S7

Étalonnage d'un
Shinigawa DC Da-2c S/N : 23544

CONFORMITÉ AU PROGRAMME DE QUALITÉ

Tous les étalonnages sont effectués conformément au manuel d'assurance qualité de Polycontrols et sont conformes à la norme ISO/IEC 17025 – 2005, à la norme ISO 9001 – 2008 ainsi qu'à tout autre exigences de qualité définies dans la description d'achat des clients.

TRAÇABILITÉ

La traçabilité des étalons de débit au National Institute of Standards and Technology, NIST, est maintenue par les laboratoires de Fluke Corporation de Phoenix, Arizona et est conforme aux normes ISO/IEC 17025, AINSI/NCSL Z540-1-1994, ISO-10012-1, MIL-STD 45662A.

Le Service d'évaluation des laboratoires d'étalonnage (CLAS) du Conseil national de recherches du Canada (CNRC) a évalué et certifié la capacité d'étalonnage du laboratoire et la traçabilité au Système international d'unités (SI) ou à des étalons acceptables selon le CLAS. Le présent certificat d'étalonnage est délivré conformément aux conditions de certification du CLAS et aux conditions d'accréditation du Conseil canadien des normes (CCN). Le CLAS et le CCN ne garantissent pas l'exactitude des étalonnages individuels effectués par les laboratoires accrédités.


APTITUDE EN MATIÈRE DE MESURE ET D'ÉTALONNAGE - CMC

Les références utilisées pour l'étalonnage de débit ont une incertitude de $\pm 0.2\%$ de la lecture pour les mesures entre 5 SCCM à 10 SLPM, $\pm 0.3\%$ de la lecture pour les mesures entre 10 SLPM à 30 SLPM, $\pm 0.2\%$ de la lecture pour les mesures entre 30 SLPM à 3000 SLPM, $\pm 0.3\%$ de la lecture pour les mesures supérieures à 3000 SLPM jusqu'à 6000 SLPM et $\pm 0.5\%$ pour les mesures inférieures à 5 SCCM jusqu'à concurrence de 1 SCCM, équivalent air ou azote. Les incertitudes exprimées sont élargies avec un facteur d'élargissement $k = 2$, et ce, pour un niveau de confiance d'environ 95 %, dans l'hypothèse d'une distribution normale incluant la résolution de l'instrument. Le rapport d'incertitude des essais (RIE) de cet étalonnage respecte un ratio de 4:1 à moins d'indication contraire.

SOMMAIRE DES CONDITIONS DE L'INSTRUMENT EN TEST

Conditions initiales	En bon état
Travail Effectué	Étalonnage de l'instrument Lectures Initiales = Lectures finales, aucun ajustement
Résultats	Lectures finales dans les tolérances
Remarques	Fréquence d'étalonnage aux 12 mois Tolérance placée à 2% OR à la demande du client


Métrologiste


Responsable du laboratoire

Certificat d'étalonnage # 7275

Numéro de série:	23544	Station de mesure:	3
Date d'étalonnage:	2017-09-29	Procédure:	POS-CAL-005
Identification de l'instrument:	EM-178		

Instrument de mesure de référence utilisé pour l'étalonnage final

Description	Modèle	# Série	Traçabilité	Date dû
DHI molbloc (30 slpm)	3E4-VCR-V-Q	3444	1500218603	2018-06-05
DHI molbox1	Molbox1	755	1500215634	2018-04-18
RTD Mist	M22	1871501	2017002165	2018-04-20
Module 44.5 PSI avec Baro 163671	Module 30	160659	2017002162	2018-04-26

Spécifications finales de l'appareil

Condition d'étalonnage

Spécifications finales de l'appareil	Condition d'étalonnage
Gaz	Air
Température d'opération	Température ambiante
Pression à l'entrée	Pression ambiante
Pression à la sortie	Orientation
Température de référence	Élastomère
Pression de référence	Valve
Étendue d'échelle	
Signaux Entrée/Sortie	
Alimentation	
Tolérance ±2 %O.R.	

Lectures finales

Débit du test ALH	Instrument en test L	Valeurs mesurées			Référence calculée L	Erreur calculée L	Tolérance acceptable L	TUR
		Pression PSIA	Température °C	Référence L				
379.0008	63.9100	14.7537	22.51	63.0822	63.1350	0.7750	1.2627	>4
603.4297	102.1200	14.7568	22.41	100.3666	100.3948	1.7252	2.0079	>4
1618.8469	273.9200	14.7824	22.31	269.9690	269.4835	4.4365	5.3897	>4

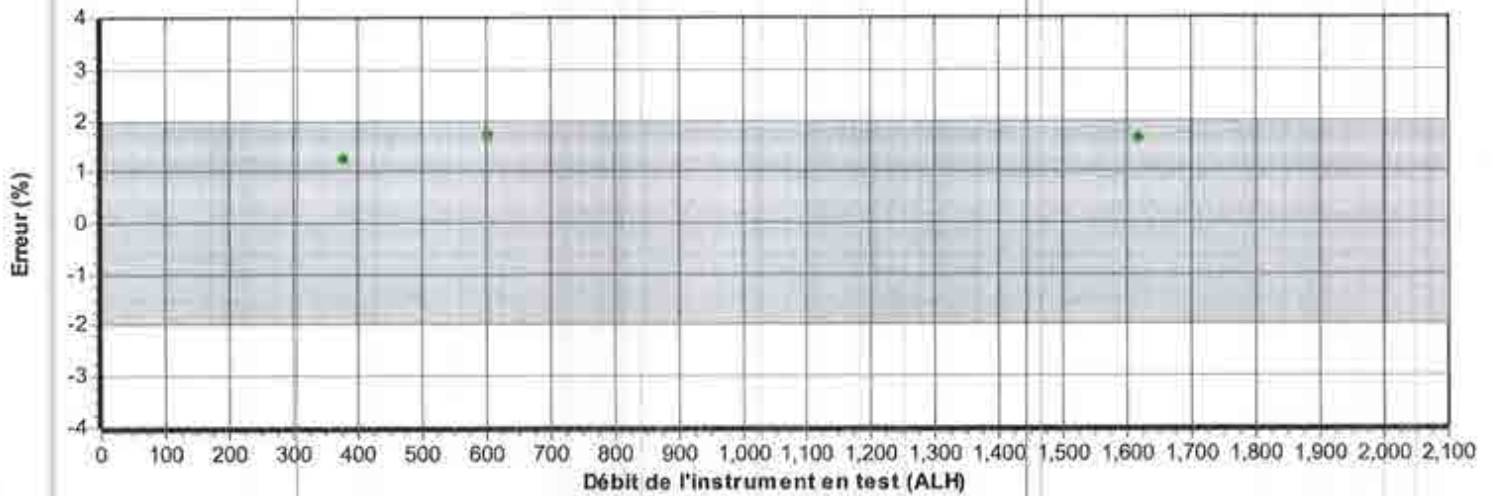
Facteur 0,98787357

3 oct 2017
Signature

Certificat d'étalonnage # 7275

Numéro de série:	23544	Station de mesure:	3
Date d'étalonnage:	2017-09-29	Procédure:	POS-CAL-005
Identification de l'instrument:	EM-178		

Résultats finaux



- La mesure (et son incertitude) se situe dans les tolérances
- La mesure (et son incertitude) se situe hors tolérance
- La mesure (et son incertitude) ne rencontre pas la marge de sécurité tel que spécifié dans le document G-8 de l'ILAC

Bernard Poirier
Métrologue


Signature

CERTIFICAT D'ÉTALONNAGE # 7276

Date d'étalonnage : 2017-09-29
Date d'émission du certificat : 2017-09-29

Services Polytests
695 B Gaudette street
St-Jean-sur-Richelieu, Québec, Canada
J3B 7S7

Étalonnage d'un
Shinigawa DCDa-2c S/N : 23543

CONFORMITÉ AU PROGRAMME DE QUALITÉ

Tous les étalonnages sont effectués conformément au manuel d'assurance qualité de Polycontrols et sont conformes à la norme ISO/IEC 17025 – 2005, à la norme ISO 9001 – 2008 ainsi qu'à tout autre exigences de qualité définies dans la description d'achat des clients.

TRAÇABILITÉ

La traçabilité des étalons de débit au National Institute of Standards and Technology, NIST, est maintenue par les laboratoires de Fluke Corporation de Phoenix, Arizona et est conforme aux normes ISO/IEC 17025, AINSI/NCSL Z540-1-1994, ISO-10012-1, MIL-STD 45662A.

Le Service d'évaluation des laboratoires d'étalonnage (CLAS) du Conseil national de recherches du Canada (CNRC) a évalué et certifié la capacité d'étalonnage du laboratoire et la traçabilité au Système international d'unités (SI) ou à des étalons acceptables selon le CLAS. Le présent certificat d'étalonnage est délivré conformément aux conditions de certification du CLAS et aux conditions d'accréditation du Conseil canadien des normes (CCN). Le CLAS et le CCN ne garantissent pas l'exactitude des étalonnages individuels effectués par les laboratoires accrédités.


APTITUDE EN MATIÈRE DE MESURE ET D'ÉTALONNAGE - CMC

Les références utilisées pour l'étalonnage de débit ont une incertitude de $\pm 0.2\%$ de la lecture pour les mesures entre 5 SCCM à 10 SLPM, $\pm 0.3\%$ de la lecture pour les mesures entre 10 SLPM à 30 SLPM, $\pm 0.2\%$ de la lecture pour les mesures entre 30 SLPM à 3000 SLPM, $\pm 0.3\%$ de la lecture pour les mesures supérieures à 3000 SLPM jusqu'à 6000 SLPM et $\pm 0.5\%$ pour les mesures inférieures à 5 SCCM jusqu'à concurrence de 1 SCCM, équivalent air ou azote. Les incertitudes exprimées sont élargies avec un facteur d'élargissement $k = 2$, et ce, pour un niveau de confiance d'environ 95 %, dans l'hypothèse d'une distribution normale incluant la résolution de l'instrument. Le rapport d'incertitude des essais (RIE) de cet étalonnage respecte un ratio de 4:1 à moins d'indication contraire.

SOMMAIRE DES CONDITIONS DE L'INSTRUMENT EN TEST

Conditions initiales	En bon état
Travail Effectué	Étalonnage de l'instrument Lectures Initiales = Lectures finales, aucun ajustement
Résultats	Lectures finales dans les tolérances
Remarques	Fréquence d'étalonnage aux 12 mois Tolérance placée à 2% OR à la demande du client


Métrélogiste


Responsable du laboratoire

Certificat d'étalonnage # 7276

Numero de série:	23543	Station de mesure:	3
Date d'étalonnage:	2017-09-29	Procédure:	POS-CAL-005
Identification de l'instrument:	EM-179		

Instrument de mesure de référence utilisé pour l'étalonnage final

Description	Modèle	# Série	Traçabilité	Date dû
DHI molbloc (30 slpm)	3E4-VCR-V-Q	3444	1500218603	2018-06-05
DHI molbox1	Molbox1	755	1500215634	2018-04-18
RTD Mist	M22	1871501	2017002165	2018-04-20
Module 44.5 PSI avec Baro 163671	Module 30	160659	2017002162	2018-04-26

Spécifications finales de l'appareil

Condition d'étalonnage

Spécifications finales de l'appareil	Condition d'étalonnage
Gaz	Air
Température d'opération	Température ambiante
Pression à l'entrée	Pression ambiante
Pression à la sortie	Orientation
Température de référence	Élastomère
Pression de référence	Valve
Étendue d'échelle	
Signaux Entrée/Sortie	
Alimentation	
Tolérance ± 2 %O.R.	

Lectures finales

Débit du test ALH	Instrument en test L	Valeurs mesurées			Référence calculée L	Erreur calculée L	Tolérance acceptable L	TUR
		Pression PSIA	Température °C	Référence L				
358.4817	60.4100	14.7516	22.32	59.6919	59.7116	0.6984	1.1942	>4
608.1934	102.5600	14.7553	22.14	101.2793	101.2264	1.3336	2.0245	>4
1625.7775	271.8600	14.7817	22.09	270.7253	270.0544	1.8056	5.4011	>4

Fact. corr. : 0,988439

[Signature]
3 oct 2017

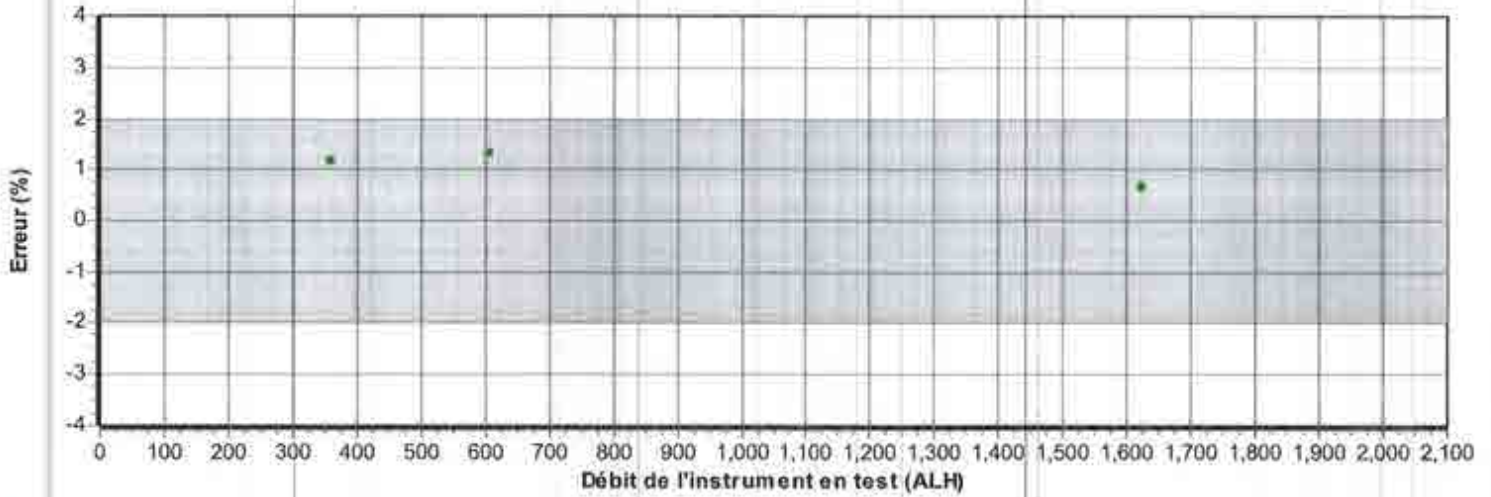
[Signature]
Signature

Bernard Poirier
Métrologue

Certificat d'étalonnage # 7276

Numéro de série:	23543	Station de mesure:	3
Date d'étalonnage:	2017-09-29	Procédure:	POS-CAL-005
Identification de l'instrument:	EM-179		

Résultats finaux



- La mesure (et son incertitude) se situe dans les tolérances
- La mesure (et son incertitude) se situe hors tolérance
- La mesure (et son incertitude) ne rencontre pas la marge de sécurité tel que spécifié dans le document G-8 de l'ILAC




Signature

Bernard Poirier
Métrologue

CERTIFICATE OF ANALYSIS

Grade of Product: **CERTIFIED STANDARD-SPEC**


Part Number:	X04NI79C15A2VF3	Reference Number:	37-400238139-1
Cylinder Number:	SG9140147	Cylinder Volume:	151.0 CF
Laboratory:	ANE - Cheshire (SAP) - CT	Cylinder Pressure:	2015 PSIG
Analysis Date:	Aug 16, 2013	Valve Outlet:	590
Lot Number:	37-400238139-1		

Product composition verified by direct comparison to calibration standards traceable to N.I.S.T. weights and/or N.I.S.T. Gas Mixture reference materials.

ANALYTICAL RESULTS

Component	Requested Concentration	Actual Concentration (Mole %)	Analytical Uncertainty
CARBON MONOXIDE	1.000 %	1.031 %	+/- 2%
CARBON DIOXIDE	10.00 %	9.968 %	+/- 2%
OXYGEN	10.00 %	9.995 %	+/- 2%
NITROGEN	Balance		

Notes.


Approved for Release



Airgas USA, LLC
325 McCausland Court
Cheshire, CT 06410
(203) 250-6820
(203) 272-1584 (FAX)

CERTIFICATE OF ANALYSIS

Grade of Product: CERTIFIED STANDARD-SPEC

Part Number:	X04NI77C15A0004	Reference Number:	37-400429255-1
Cylinder Number:	CC46789	Cylinder Volume:	144.0 CF
Laboratory:	ANE - Cheshire (SAP) - CT	Cylinder Pressure:	1862 PSIG
Analysis Date:	Sep 29, 2014	Valve Outlet:	350
Lot Number:	37-400429255-1		

Product composition verified by direct comparison to calibration standards traceable to N.I.S.T. weights and/or N.I.S.T. Gas Mixture reference materials.

ANALYTICAL RESULTS

Component	Requested Concentration	Actual Concentration (Mole %)	Analytical Uncertainty
OXYGEN	2.000 %	1.989 %	+/- 2%
CARBON MONOXIDE	3.000 %	2.971 %	+/- 2%
CARBON DIOXIDE	18.00 %	17.87 %	+/- 2%
NITROGEN	Balance		


Approved for Release

Certificat d'Étalonnage / Certificate of Calibration

CLIENT :
 SERVICES POLYTESTS INC.
 695-B GAUDETTE
 ST-JEAN-SUR-RICHELIEU, QUEBEC

Description: RUBAN A MESURER / MEASURING TAPE
Fabriqueur/ Manufacturer: STANLEY
Modèle/ Model : 12 ft
No série / Serial no : N/A
Inventaire / Asset # : EM-224

CERTIFICAT No / Certificate No: 202449

PROCÉDURE / Procedure :
 CAN / CGSB-39.22-94

Certificat émis/ Certificate issued : 2016-12-28

Echéance/ Due Date : 2017-12-28

Type de résultat / Results type : **Tel que trouvé / As Found**

Résultats d'essais / Test results : **Ok Pass**

Conditions de mesure / Measurement conditions

TEMPÉRATURE / Temp : **20.2°C**

Usage restreint/ Restricted use :

HUMIDITÉ / Humidity : **32%RH**

Réparation effectuée / Repair performed :

Ajustement effectué / Adjustment performed :

ÉTALONS UTILISÉS/ Standards Used:

Identification	Fabricant / Manufacturer	Modèle / Model	Description	Ser. #	Echéance/ Due Date
PRO 10	STARRETT	SS8AAX	GAUGE BLOCK SET	111488.9	2018-03-16
PRO 17	MITUTOYO	516-902 GRADE 2	GAUGE BLOCK SET	106053	2017-02-17
PRO 26	NEWAGE IND.	0-4 mm	POCKET MAGNIFIER	N/A	2017-03-09
PRO 68	MITUTOYO	517-816	TABLE DE GRANITE	5053-471	2017-07-16

Les spécifications mentionnées comme limites de tolérances d'essai sont celles établies par le manufacturier, sauf indication contraire.
 Test tolerance limits are based on manufacturers specifications unless stated otherwise.

NOTES :


 2017-01-11

**Technicien :
 Technician**


 T. DUMONT

Le système qualité de la société est conforme aux exigences de la norme ISO 17025 et les étalons utilisés pour le processus d'étalonnage sont retraçables au SI par l'entremise du CNRC et/ou du NIST.
 Our quality system complies with the requirements of ISO 17025 and the standards used for the calibration are traceable to SI through NRC and/or NIST.

LE SYSTÈME DE QUALITÉ DE LA SOCIÉTÉ EST CONFORME AUX EXIGENCES DE LA NORME ISO 17025 ET LES ÉTALONS UTILISÉS POUR LE PROCESSUS D'ÉTALONNAGE SONT RETRACABLES AU SI PAR L'ENTREMISE DU CNRC ET/OU DU NIST.
 OUR QUALITY SYSTEM COMPLIES WITH THE REQUIREMENTS OF ISO 17025 AND THE STANDARDS USED FOR THE CALIBRATION ARE TRACEABLE TO SI THROUGH NRC AND/OR NIST.

CERTIFICAT No / Certificate No : **202449**

CLIENT / Customer : **SERVICES POLYTESTS INC.**

DESCRIPTION / Description : **RUBAN A MESURER / MEASURING TAPE**

MANUFACTURIER / Manufacturer : **STANLEY**

MODÈLE / Model : **12 ft**

DESCRIPTION Description	LIMITES Limits	LECTURES Readings	LIMITES Limits
EXACTITUDE ACCROCHE / PULL 1 "	0.980	0.998	1.020
EXACTITUDE APPUYE / PUSH 1 "	0.980	0.992	1.020
ZONE VÉRIFIÉE / TESTED ZONE 0-4 PIEDS / FT 4-8 PIEDS / FT 8-12 PIEDS / FT	NOMINAL 48 PO / IN 48 PO / IN 48 PO / IN	 48.004 48.000 47.998	 48.024 48.024 48.024


2017-01-11 Page 2 / 2



Posttest dry gas meter calibration data


Date : February 26th 2018		Barometric pressure: 101.4	Tech/Eng. Maxime Martin
Manufacturer. : ICC Model : OPEL +3C	Calibration factor 0.987873 DGM 1 : EM-178	Calibration factor 0.98844 DGM 2 : EM-179	Calibration factor 0.9864 DGM 3 : EM-070 Standardized DGM : EM-130

Standard meter							Dry gas meter #1					
Trail #	Press drop	Final ft3	Initial ft3	Change ft3	Temp F	STD ft3	Final Liter	Initial Liter	Change ft3	Temp F	STD ft3	Cal Factor
1	0	837	836	1,000	67,2	0,999	633443,290	633414,260	1,025	68,72	1,0238	0,9757
2	0	838	837	1,000	66,9	0,999	633472,280	633443,290	1,024	68,54	1,0227	0,9773
3	0	839	838	1,000	66,8	1,000	633501,160	633472,330	1,018	68,54	1,0171	0,9829
Average calibration factor : 0.9786												

Previous cal factor	minus	Average cal factor	Divided by	Previous cal. factor	Multiplied * 100	Equals	Deviation percent Max5%
0.98788	-	0.9786	/	0.98788	*100	=	0.94 %

Standard meter							Dry gas meter #2					
Trail #	Press drop	Final ft3	Initial ft3	Change ft3	Temp F	STD ft3	Final Liter	Initial Liter	Change ft3	Temp F	STD ft3	Cal Factor
1	0	837	836	1,000	67,2	0,999	575397,1	575368,03	1,027	68,72	1,025	0,9744
2	0	838	837	1,000	66,9	0,999	575426,06	575397,1	1,023	68,9	1,021	0,9790
3	0	839	838	1,000	66,8	1,000	575455,04	575426,06	1,023	68,9	1,022	0,9785
Average calibration factor :0.9773												

Previous cal factor	minus	Average cal factor	Divided by	Previous cal. factor	Multiplied * 100	Equals	Deviation percent Max5%
0.98844	-	0.9773	/	0.98844	*100	=	1.13 %

 Posttest dry gas meter calibration data		Date : February 26th 2018	Barometric pressure: 101.4	Tech/Eng. Maxime Martin
Manufacturer. : ICC Model : OPEL +3C	Calibration factor 0.987873 DGM 1 : EM-178	Calibration factor 0.98844 DGM 2 : EM-179	Calibration factor 0.9864 DGM 3 : EM-070	Calibration factor 1.0027 Standardized DGM : EM-130

Standard meter							Dry gas meter #3					
Trail #	Press drop	Final ft3	Initial ft3	Change ft3	Temp F	STD ft3	Final Liter	Initial Liter	Change ft3	Temp F	STD ft3	Cal Factor
1	0	837	836	1,000	67,2	0,999	935,32	934,29	1,030	67,200	1,032	0,9683
2	0	838	837	1,000	66,9	0,999	936,33	935,32	1,010	66,900	1,012	0,9875
3	0	839	838	1,000	66,8	1,000	937,35	936,33	1,020	66,800	1,022	0,9778
Average calibration factor :0.9779												

Previous cal factor	minus	Average cal factor	Divided by	Previous cal. factor	Multiplied * 100	Equals	Deviation percent Max5%
0.9864	-	0.9779	/	0.9864	*100	=	0.86 %

APPENDIX 4: Unit pre burn

Temps
acquisition
de données

Flue	Room	Tunnel	Catalyst down	Catalyst center	Catalyst up	scale	Tunnel Velocity
temp	temp	dry bulb					Pressure
°F	°F	°F	°F	°F	°F	lbs	dcV
1,00	146,29	64,83	105,19	197,86	76,88	158,88	5,552
2,00	159,34	64,72	104,83	159,65	76,87	160,81	5,725
3,00	181,20	64,84	116,95	191,31	77,06	192,52	5,705
4,00	190,86	64,61	86,87	202,26	77,20	260,67	5,755
5,00	196,39	64,71	83,41	239,29	77,26	315,07	5,755
6,00	215,75	64,45	84,77	286,78	77,37	383,38	5,776
7,00	239,14	64,59	87,30	347,45	77,60	465,85	5,776
8,00	264,33	64,30	90,24	430,43	77,91	531,28	5,705
9,00	291,60	64,37	93,51	524,65	78,43	613,17	5,603
10,00	339,23	64,38	98,10	716,36	79,25	702,33	5,725
11,00	378,04	64,51	102,73	723,52	80,42	727,64	5,552
12,00	387,32	64,47	183,18	405,47	82,01	541,14	5,218
13,00	394,40	64,58	117,15	736,92	84,10	723,52	5,481
14,00	424,38	64,57	114,82	759,13	86,10	765,70	5,552
15,00	446,80	64,48	98,11	781,23	88,26	794,16	0,985
16,00	470,30	64,48	77,23	828,78	90,62	858,30	0,001
17,00	486,07	64,57	68,43	830,53	93,14	870,78	0,001
18,00	497,78	64,61	64,79	847,76	95,68	883,46	0,001
19,00	507,51	64,91	63,88	830,21	97,69	859,74	0,001
20,00	513,26	65,12	94,67	837,10	99,71	867,88	0,001
21,00	523,56	65,17	125,96	856,59	101,77	890,58	3,712
22,00	532,30	65,19	125,55	850,41	104,00	880,23	3,007
23,00	540,60	65,39	84,79	849,91	106,31	878,23	0,001
24,00	550,44	65,31	72,24	890,45	108,70	912,24	0,001
25,00	558,11	65,58	122,31	861,47	111,34	872,46	4,0209
26,00	559,72	65,71	139,97	845,89	114,08	842,30	4,8932
27,00	564,34	65,85	142,65	903,06	116,79	932,73	4,6499
28,00	571,20	65,99	143,83	891,40	119,50	925,44	4,6499
29,00	575,07	65,99	145,38	897,90	122,22	930,55	4,7716
30,00	581,16	66,04	146,37	917,83	125,01	943,46	4,8020
31,00	583,86	66,04	146,80	908,18	127,74	929,26	4,9439
32,00	585,37	66,25	147,27	913,99	130,42	928,33	4,8223
33,00	587,85	66,24	147,61	918,67	133,19	927,19	4,8223
34,00	589,80	66,18	147,71	911,74	135,78	912,37	4,9946
35,00	589,41	66,07	148,25	898,66	138,20	906,90	4,9439
36,00	589,93	66,35	148,24	898,78	140,29	910,86	5,0149
37,00	591,78	66,22	149,29	905,02	142,32	922,10	4,9947
38,00	591,25	66,36	206,48	801,62	144,41	776,23	4,4593
39,00	468,86	66,35	306,63	307,15	150,99	391,38	4,3356
40,00	433,37	66,18	310,27	273,07	159,84	311,88	4,2343
41,00	520,25	66,08	218,21	486,01	165,21	493,78	4,5282
42,00	612,60	65,97	199,11	685,02	165,99	750,71	4,5283
43,00	651,46	65,82	178,31	1190,87	166,74	1034,92	4,7310
44,00	697,95	65,51	175,90	1265,21	168,51	1173,48	4,7006
45,00	728,06	65,66	174,52	1285,43	171,05	1271,72	4,9237
46,00	746,79	65,35	176,85	1327,74	174,18	1358,84	4,9947
47,00	765,15	65,41	176,94	1341,43	177,71	1360,86	4,9440
48,00	777,12	65,33	172,39	1310,24	181,84	1345,80	5,0656
49,00	753,45	65,51	146,60	1260,55	186,64	1411,99	4,9947
50,00	722,36	65,62	132,92	1291,48	192,40	928,93	11,6773
51,00	710,51	65,47	129,44	1310,30	198,48	895,18	11,4764
52,00	706,57	65,62	127,49	1235,80	204,37	904,16	11,2754
53,00	698,64	65,76	125,59	1189,06	209,88	877,48	11,0776
54,00	689,05	65,42	123,78	1162,95	214,90	841,17	10,8766
55,00	680,57	65,52	121,59	1121,00	219,33	820,74	10,7761
56,00	672,11	65,63	120,62	1095,00	223,20	819,28	10,5750
57,00	663,72	65,87	119,38	1079,34	226,20	841,65	10,4747
58,00	655,72	65,99	118,36	1078,41	228,12	859,60	10,2769
59,00	650,22	65,69	117,76	1086,77	229,30	895,79	10,1763
60,00	645,76	65,02	117,22	1093,00	229,77	943,30	9,9751
61,00	643,06	65,66	116,71	1099,53	229,74	1081,11	9,8747
62,00	641,00	65,23	115,96	1121,79	229,55	1101,68	9,6769
63,00	640,97	66,41	115,77	1133,35	229,36	1088,13	9,5765
64,00	639,02	65,82	116,51	1139,13	228,91	1051,58	9,3753
65,00	638,09	66,07	116,92	1155,03	228,60	1011,79	9,2748
66,00	639,34	66,45	117,42	1181,69	228,42	1028,34	9,1725
67,00	643,37	66,32	117,07	1187,98	228,21	1327,33	8,9766

68,00	645,11	66,44	116,52	1200,20	228,12	1395,91	8,7756	5,3091
69,00	647,01	65,32	116,25	1202,27	228,22	1403,26	8,5746	5,3091
70,00	646,50	65,42	115,66	1202,20	228,22	1404,07	8,4740	5,3597
71,00	644,75	65,79	115,37	1193,74	228,32	1398,69	8,2762	5,4105
72,00	643,77	66,21	114,66	1189,54	228,41	1379,97	8,1757	5,4105
73,00	642,48	66,91	114,42	1195,17	228,69	1391,37	8,0754	5,4815
74,00	643,04	66,83	114,62	1198,73	228,96	1397,66	7,8743	5,3801
75,00	642,75	66,70	113,61	1203,05	229,39	1413,34	7,7738	5,3090
76,00	644,90	66,64	113,73	1203,63	229,82	1415,29	7,6732	5,4105
77,00	645,88	67,79	113,54	1207,69	230,25	1418,19	7,4756	5,3597
78,00	647,30	67,54	113,56	1206,95	230,63	1412,65	7,3750	5,3395
79,00	646,92	67,37	112,93	1201,74	231,32	1411,04	7,2746	5,4105
80,00	647,27	67,87	113,03	1200,09	231,90	1396,58	7,0734	5,4612
81,00	647,82	67,29	113,30	1207,68	232,48	1420,79	6,9731	5,4815
82,00	649,16	67,69	113,09	1208,59	233,13	1421,79	6,8758	5,4815
83,00	650,96	68,25	114,03	1202,99	233,76	1433,76	6,6747	5,5119
84,00	657,07	68,48	114,29	1209,64	234,27	1434,97	6,5744	5,3598
85,00	660,29	68,20	114,67	1213,04	234,89	1438,26	6,3733	5,4106
86,00	664,67	68,55	114,69	1205,99	235,71	1437,79	6,2728	5,3802
87,00	668,97	68,22	115,01	1213,02	236,51	1444,50	6,1756	5,4613
88,00	673,61	68,41	114,34	1210,73	237,31	1429,27	5,9745	5,3598
89,00	676,90	69,06	114,37	1211,64	238,28	1436,64	5,7737	5,4106
90,00	677,19	68,85	114,44	1220,44	239,40	1445,19	5,6731	5,4815
91,00	678,21	68,82	114,60	1223,55	240,41	1445,19	5,5725	5,3598
92,00	679,66	68,66	114,08	1228,30	241,59	1428,12	5,4754	5,4612
93,00	682,46	67,80	114,82	1236,54	242,78	1406,22	5,2744	5,5323
94,00	680,90	67,73	113,79	1229,88	243,83	1381,48	5,2073	5,4816
95,00	679,44	67,75	113,85	1213,68	245,10	1365,36	5,0733	5,3801
96,00	675,03	68,18	113,44	1202,31	245,90	1345,71	4,9729	5,5323
97,00	669,93	67,72	113,03	1188,21	246,58	1312,32	4,8723	5,3802
98,00	665,20	67,61	112,29	1170,70	247,21	1312,17	4,7752	5,4106
99,00	661,46	68,14	111,96	1161,26	247,53	1320,16	4,6746	5,5526
100,00	657,42	67,98	111,35	1140,37	247,68	1299,34	4,5742	5,58
101,00	650,79	68,21	110,25	1119,72	247,70	1229,77	4,4737	5,55
102,00	644,61	68,02	110,64	1102,83	247,52	1194,04	4,4736	5,51
103,00	638,07	68,48	109,97	1095,67	247,23	1137,57	4,3732	5,48
104,00	632,34	67,92	109,90	1072,46	246,90	1057,75	4,2727	5,58
105,00	626,09	67,86	109,60	1056,37	246,51	1021,39	4,2712	5,48
106,00	620,67	67,87	109,58	1045,16	245,85	1022,84	4,1721	5,51
107,00	615,30	67,85	109,77	1030,25	245,17	1036,71	4,0750	5,48
108,00	609,79	67,50	109,18	1021,87	244,41	1001,52	3,9745	5,55
109,00	604,57	68,08	108,34	1008,17	243,43	981,10	3,9744	5,53
110,00	599,46	67,73	107,24	998,58	242,43	960,63	3,8739	5,53
111,00	593,97	67,91	107,05	985,97	241,21	937,72	3,8740	5,53
112,00	588,62	68,21	106,49	976,09	239,96	925,02	3,7735	5,41
113,00	582,34	68,24	106,36	964,45	238,65	906,15	3,7734	5,51
114,00	577,88	67,77	105,63	959,80	237,45	893,22	3,6729	5,48
115,00	573,71	67,52	105,24	954,06	236,26	882,02	3,6729	5,51
116,00	569,41	67,74	104,84	938,88	235,19	872,17	3,6725	5,53
117,00	564,16	67,41	104,20	922,59	234,15	856,04	3,5720	5,51
118,00	541,15	67,29	313,99	443,59	237,38	517,26	45,3101	4,65
119,00	482,57	67,34	309,57	433,71	245,08	410,39	17,4781	4,65
120,00	534,00	66,94	273,22	564,15	248,37	532,80	17,1779	4,68
121,00	659,37	67,23	266,29	1009,15	253,36	1132,74	16,6772	4,60
122,00	631,40	67,05	156,45	1104,07	253,12	909,36	16,4794	4,82
123,00	617,49	66,58	135,31	1089,56	250,56	880,25	16,2786	5,26
124,00	573,44	66,54	113,13	1073,67	250,36	821,09	16,1780	5,38
125,00	554,57	66,53	106,35	1012,32	251,77	746,35	16,1555	5,48
126,00	543,14	66,66	102,68	961,95	253,16	702,78	16,0774	5,53
127,00	533,54	66,82	100,35	937,52	254,23	678,98	15,9772	5,48
128,00	526,47	66,31	99,40	918,59	254,85	661,95	15,9769	5,36
129,00	519,57	66,53	97,92	910,04	255,07	652,03	15,8796	5,6541
130,00	513,31	66,73	96,91	906,94	254,90	644,26	15,7791	5,4107
131,00	506,90	66,47	96,39	904,60	254,41	639,67	15,7791	5,4239
132,00	501,69	66,63	95,91	909,88	253,72	639,42	15,6787	5,5831
133,00	495,73	67,07	93,76	913,96	252,58	641,68	15,6785	5,6540
134,00	490,42	67,21	93,03	921,99	250,53	647,47	15,5783	5,6337
135,00	485,53	67,11	92,75	930,05	248,00	652,51	15,4778	5,7250
136,00	480,91	67,09	92,65	938,44	245,21	654,66	15,4776	5,6338
137,00	476,40	67,41	92,11	945,40	242,19	659,53	15,3769	5,5323
138,00	472,21	67,56	91,98	954,22	239,23	663,45	15,2765	5,6033
139,00	469,00	67,14	91,39	963,92	236,17	669,96	15,1791	5,6541

140,00	465,42	67,42	91,06	973,01	233,27	674,42	15,1794	5,6541
141,00	462,61	67,43	90,80	981,32	230,32	680,10	15,0786	5,5831
142,00	459,65	67,74	90,67	988,05	227,41	685,37	14,9784	5,6542
143,00	457,62	67,92	90,13	984,69	224,65	699,44	14,9783	5,6340
144,00	454,83	67,54	89,90	954,06	222,12	709,55	14,8776	5,5526
145,00	452,12	67,43	89,92	950,88	219,76	719,72	14,7771	5,7250
146,00	449,44	67,64	89,54	959,82	217,51	723,70	14,6768	5,58
147,00	447,65	67,23	89,07	962,00	215,36	728,87	14,6762	5,58
148,00	445,85	67,02	88,95	973,88	213,28	735,06	14,5762	5,53
149,00	443,92	67,04	88,27	980,25	211,39	737,36	14,4791	5,63
150,00	442,93	67,41	88,41	1023,57	209,55	752,60	14,3786	5,58
151,00	442,65	67,49	87,98	1034,41	207,89	780,75	14,2781	5,55
152,00	442,21	67,39	88,17	1036,66	206,27	787,64	14,1772	5,63
153,00	441,01	67,24	87,78	1035,60	204,82	774,78	14,1772	5,58
154,00	440,29	67,23	86,92	1036,20	203,54	790,44	14,0770	5,60
155,00	440,88	67,21	86,78	1041,14	202,48	811,99	13,9764	5,65
156,00	440,53	67,80	86,86	1043,20	201,49	791,30	13,8758	5,63
157,00	440,84	67,31	87,51	1068,25	200,65	875,62	13,7787	5,70
158,00	440,97	67,43	87,49	1083,84	199,94	898,91	13,6779	5,73
159,00	440,58	67,61	86,83	1084,87	199,33	858,89	13,5890	5,76
160,00	441,01	67,59	86,34	1093,09	198,83	926,20	13,5027	5,71
161,00	441,68	67,39	86,35	1090,50	198,41	914,21	13,4770	5,73
162,00	443,45	67,46	86,63	1104,60	198,07	985,91	13,3473	5,65
163,00	444,14	67,26	86,61	1117,03	197,85	992,26	13,2760	5,65
164,00	445,15	67,42	86,49	1125,25	197,65	935,16	13,1754	5,60
165,00	447,05	67,62	86,60	1146,45	197,47	921,68	13,0781	5,58
166,00	448,94	67,35	86,49	1159,69	197,39	935,43	12,9778	5,65
167,00	451,48	67,33	86,06	1163,74	197,45	942,17	12,8774	5,58
168,00	452,93	67,25	86,38	1161,52	197,68	947,72	12,7766	5,60
169,00	454,63	67,43	86,26	1156,95	197,86	948,05	12,6763	5,55
170,00	455,72	67,34	86,22	1151,78	198,03	949,39	12,5756	5,65
171,00	457,45	67,36	86,07	1145,71	198,42	950,82	12,4783	5,76
172,00	459,78	67,40	86,51	1139,97	198,74	950,69	12,3778	5,60
173,00	462,12	67,49	86,56	1132,30	199,12	946,82	12,2774	5,73
174,00	462,53	67,78	86,35	1129,44	199,55	945,79	12,0763	5,63
175,00	465,14	67,70	86,67	1126,20	200,08	946,39	11,9759	5,5831
176,00	467,64	67,54	86,67	1123,40	200,63	945,65	11,8752	5,5526
177,00	468,78	67,76	86,91	1123,38	201,12	946,09	11,7781	5,5526
178,00	469,56	67,57	86,39	1118,27	201,72	946,58	11,6777	5,6338
179,00	471,74	67,53	86,83	1113,22	202,31	941,66	11,5771	5,6541
180,00	472,85	67,48	86,57	1110,31	202,93	935,90	11,4751	5,6338
181,00	473,82	67,68	86,66	1108,74	203,63	947,24	11,2757	5,7048
182,00	474,57	67,52	86,01	1102,93	204,29	960,18	11,1749	5,5831
183,00	475,84	67,50	86,15	1112,54	204,95	948,83	11,0778	5,6338
184,00	476,19	67,89	86,08	1117,24	205,51	961,29	10,9772	5,7251
185,00	477,65	67,52	87,26	1114,89	206,08	976,21	10,8766	5,6338
186,00	478,08	67,97	86,94	1110,87	206,63	958,74	10,7761	5,6338
187,00	479,14	67,99	87,10	1112,18	207,26	960,55	10,6736	5,7251
188,00	479,76	67,99	87,67	1108,95	207,84	980,40	10,5091	5,6033
189,00	479,62	67,96	87,10	1112,00	208,39	978,96	10,3773	5,7251
190,00	480,18	67,83	86,95	1108,68	209,04	971,52	10,2770	5,7048
191,00	481,59	67,83	87,10	1114,32	209,57	977,32	10,1764	5,6541
192,00	482,22	67,94	86,92	1122,76	210,05	1002,66	10,0757	5,63
193,00	482,39	67,88	87,08	1115,63	210,48	1178,39	9,9754	5,58
194,00	484,26	67,66	86,88	1079,41	210,93	1351,65	9,8684	5,73
195,00	484,59	67,58	86,91	1080,40	211,38	1371,13	9,7743	5,63
196,00	485,02	67,96	86,67	1103,20	211,76	1361,09	9,6772	5,55
197,00	484,73	67,92	86,39	1104,79	212,02	1334,01	9,5764	5,65
198,00	483,83	67,61	86,21	1057,37	212,28	1290,84	9,4761	5,58
199,00	482,68	68,02	86,12	1033,42	212,46	1228,55	9,4761	5,76
200,00	480,25	68,18	85,17	1022,43	212,64	1179,61	9,3755	5,70
201,00	476,48	67,85	85,32	1010,38	212,89	1173,62	9,2751	5,70
202,00	476,57	67,93	85,45	1094,68	213,20	992,63	9,2751	5,73
203,00	477,52	67,76	85,76	1144,99	213,41	992,14	9,1930	5,73
204,00	477,00	67,63	85,48	1161,32	213,50	989,60	9,1743	5,63
205,00	476,23	67,55	85,82	1169,23	213,48	989,64	9,0739	5,63
206,00	475,73	67,55	85,80	1174,51	213,42	989,16	8,9766	5,70
207,00	474,45	67,62	85,99	1179,54	213,47	990,71	8,9767	5,70
208,00	476,09	67,63	85,91	1186,14	213,33	995,23	8,8763	5,70
209,00	476,15	67,63	85,79	1189,29	213,23	996,62	8,7756	5,55
210,00	476,24	67,70	85,49	1190,29	213,15	993,95	8,7758	5,65
211,00	475,29	67,44	85,87	1189,34	213,11	992,55	8,6753	5,58

212,00	475,37	67,62	85,75	1191,96	213,04	994,33	8,5781	5,58
213,00	475,25	67,67	85,32	1193,09	212,94	995,20	8,5747	5,73
214,00	475,57	67,50	85,64	1195,24	212,93	996,67	8,4742	5,70
215,00	475,08	67,57	85,75	1195,68	212,83	1000,42	8,4741	5,60
216,00	474,30	67,51	85,89	1196,92	212,86	1004,19	8,3737	5,60
217,00	475,23	67,57	85,92	1197,61	212,80	1008,65	8,2763	5,70
218,00	475,21	67,41	85,59	1196,93	212,85	1012,82	8,1855	5,61
219,00	474,51	67,43	85,60	1198,63	212,96	1017,76	8,1758	5,65
220,00	475,90	67,46	85,58	1200,10	213,02	1019,27	8,1656	5,60
221,00	475,59	67,61	85,53	1199,95	213,00	1017,42	8,0303	5,60
222,00	475,56	67,62	85,55	1200,08	212,98	1016,09	7,9749	5,6033
223,00	475,07	67,60	85,47	1200,45	213,03	1015,95	7,9673	5,6337
224,00	475,22	67,58	85,64	1197,62	213,18	1012,64	7,8743	5,7757
225,00	475,54	67,54	85,61	1197,05	213,25	1008,60	7,7738	5,6540
226,00	475,96	67,56	85,79	1195,49	213,44	1004,00	7,6732	5,7048
227,00	476,07	67,60	85,04	1192,60	213,59	999,47	7,6732	5,6350
228,00	475,33	67,79	84,85	1190,29	213,64	994,69	7,5761	5,6540
229,00	474,65	67,77	85,59	1188,24	213,67	990,93	7,4755	5,7250
230,00	475,01	67,74	85,68	1184,82	213,94	985,59	7,4755	5,6033
231,00	475,04	67,72	85,51	1181,58	214,01	979,01	7,3751	5,6531
232,00	473,73	67,79	85,49	1178,18	214,09	980,56	7,3752	5,6337
233,00	473,75	67,80	85,87	1175,87	214,22	975,06	7,2746	5,6540
234,00	473,86	67,81	85,84	1174,47	214,19	971,31	7,1740	5,6033
235,00	473,55	67,81	85,76	1170,97	214,16	971,22	7,1742	5,6337
236,00	473,16	67,85	85,50	1169,99	214,13	967,26	7,0735	5,5830
237,00	472,96	67,91	85,57	1168,86	214,13	966,12	7,0736	5,7554
238,00	472,81	67,90	85,51	1167,30	214,08	968,28	6,9731	5,6540
239,00	472,01	68,08	85,61	1167,47	214,02	966,98	6,960	5,58
240,00	471,97	67,94	85,36	1165,65	214,06	966,77	6,855	5,73
241,00	471,73	67,86	85,46	1166,97	214,00	969,55	6,775	5,73
242,00	471,21	68,00	85,58	1167,66	213,94	971,24	6,775	5,60
243,00	471,31	68,04	85,44	1169,61	213,84	974,92	6,675	5,66
244,00	471,08	68,06	85,58	1172,87	213,76	983,05	6,674	5,63
245,00	470,20	68,02	85,50	1175,00	213,70	986,74	6,574	5,76
246,00	470,70	68,17	85,46	1174,07	213,66	985,55	6,474	5,70
247,00	469,91	68,06	85,36	1138,33	213,70	1028,34	6,373	5,60
248,00	467,87	67,99	85,12	1099,40	213,67	980,90	6,373	5,70
249,00	467,62	68,15	85,23	1115,27	213,60	933,53	6,273	5,73
250,00	466,07	68,26	85,04	1110,82	213,54	929,67	6,273	5,63
251,00	465,24	68,22	85,23	1108,85	213,51	941,76	6,175	5,60
252,00	464,47	68,12	84,83	1088,14	213,51	915,64	6,173	5,63
253,00	463,23	68,32	84,95	1079,66	213,38	905,41	6,075	5,76
254,00	461,01	68,19	84,67	1087,87	213,28	935,33	5,977	5,63
255,00	459,49	68,27	84,90	1073,60	213,17	911,68	5,975	5,54
256,00	457,41	68,09	84,62	1061,48	212,96	920,49	5,975	5,65
257,00	455,76	68,22	84,77	1062,83	212,66	914,52	5,874	5,63
258,00	454,43	68,28	84,41	1061,74	212,36	905,13	5,774	5,58
259,00	453,52	68,05	84,46	1053,99	212,07	891,51	5,773	5,73
260,00	454,35	68,09	84,32	1057,31	211,77	907,54	5,673	5,90
261,00	452,11	68,06	84,01	1052,79	211,43	899,24	5,673	5,73
262,00	450,93	68,25	84,21	1038,12	211,07	862,45	5,572	5,60
263,00	448,10	68,18	84,36	1024,75	210,68	858,96	5,572	5,65
264,00	448,51	68,08	84,29	1014,11	210,23	834,54	5,572	5,60
265,00	446,96	68,19	84,24	1049,05	209,70	847,36	5,475	5,63
266,00	446,42	68,23	84,26	1059,16	209,09	851,47	5,475	5,65
267,00	445,72	68,34	83,84	1061,33	208,48	851,65	5,475	5,73
268,00	443,58	68,13	84,11	1061,81	207,96	849,98	5,375	5,70
269,00	444,29	68,20	83,94	1062,48	207,34	849,65	5,284	5,65
270,00	442,20	68,31	84,08	1061,61	206,71	849,70	5,274	5,73
271,00	442,22	68,22	83,37	1061,98	206,06	850,19	5,274	5,60
272,00	441,60	68,23	83,79	1063,39	205,56	852,74	5,174	5,70
273,00	440,62	67,98	83,59	1065,89	205,12	856,62	5,174	5,73
274,00	440,07	68,46	83,86	1070,19	204,64	866,44	5,073	5,65
275,00	439,67	68,46	83,80	1076,68	204,15	874,02	5,073	5,63
276,00	438,78	68,54	83,64	1084,91	203,81	889,25	5,073	5,73
277,00	438,55	68,48	83,94	1094,06	203,47	902,67	4,973	5,58
278,00	438,29	68,72	83,66	1102,16	203,06	911,14	4,973	5,60
279,00	438,39	68,89	83,66	1107,82	202,67	915,86	4,872	5,58
280,00	439,29	68,86	83,63	1115,72	202,32	923,95	4,872	5,65
281,00	437,94	68,85	83,70	1123,65	202,04	930,32	4,775	5,64
282,00	438,56	68,94	83,66	1126,22	201,80	930,15	4,775	5,60
283,00	438,71	69,13	83,70	1127,81	201,66	929,07	4,675	5,56

284,00	439,26	69,26	83,72	1130,47	201,62	930,11	4,675	5,78
285,00	439,71	69,42	83,17	1129,87	201,51	929,66	4,574	5,73
286,00	439,19	69,47	83,43	1127,08	201,49	922,46	4,574	5,70
287,00	439,63	69,52	83,62	1126,52	201,49	915,28	4,474	5,73
288,00	439,64	69,54	83,66	1122,81	201,50	907,04	4,474	5,60
289,00	440,11	69,52	83,49	1112,89	201,46	890,60	4,474	5,73
290,00	439,72	69,69	83,66	1101,94	201,46	879,01	4,373	5,73
291,00	439,25	69,73	83,76	1092,05	201,48	868,84	4,373	5,60
292,00	439,65	69,49	83,74	1083,84	201,52	864,23	4,373	5,78
293,00	438,50	69,72	83,63	1076,35	201,47	858,61	4,273	5,73
294,00	437,88	69,74	83,53	1065,94	201,46	846,50	4,273	5,63
295,00	435,89	69,55	83,33	1051,86	201,33	834,31	4,273	5,70
296,00	434,69	69,66	83,47	1045,26	201,16	832,04	4,172	5,76
297,00	433,49	69,84	83,31	1042,40	201,07	825,87	4,172	5,70
298,00	433,20	69,86	83,45	1029,12	200,93	814,71	4,172	5,55
299,00	432,18	69,75	83,59	1016,74	200,68	808,18	4,075	5,72
300,00	430,52	69,75	83,69	1007,58	200,42	800,12	4,075	5,55
301,00	428,28	69,82	83,29	999,79	200,05	793,01	4,075	5,65
302,00	426,61	69,61	83,13	992,87	199,76	788,59	4,075	5,63
303,00	425,84	69,78	83,36	985,46	199,40	783,77	3,974	5,58
304,00	423,08	69,79	83,17	979,54	198,93	779,23	3,974	5,73
305,00	421,75	69,90	83,24	972,77	198,44	774,89	3,974	5,75
306,00	420,58	69,98	83,31	967,28	197,88	772,59	3,974	5,63
307,00	419,90	69,96	83,31	961,51	197,43	771,19	3,974	5,73
308,00	418,69	69,92	83,34	957,06	196,90	768,85	3,874	5,65
309,00	416,83	70,00	83,31	953,07	196,35	766,08	3,874	5,65
310,00	414,82	69,81	82,71	949,85	195,81	764,59	3,874	5,76
311,00	412,52	69,86	83,30	945,57	195,26	763,14	3,874	5,70
312,00	410,67	69,94	83,04	942,03	194,67	760,93	3,874	5,63
313,00	409,57	70,04	82,83	938,19	194,07	758,19	3,789	5,80
314,00	408,33	70,06	83,06	935,77	193,52	757,21	3,773	5,63
315,00	405,55	70,11	82,86	932,97	192,93	755,86	3,773	5,65
316,00	404,86	70,10	82,63	928,89	192,23	753,78	3,773	5,73
317,00	403,26	70,24	82,65	925,46	191,54	753,14	3,673	5,60
318,00	402,00	70,23	82,79	922,77	190,88	751,92	3,690	5,58
319,00	401,29	70,32	82,78	918,84	190,27	750,56	3,673	5,70
320,00	399,09	70,23	82,39	916,38	189,57	748,30	3,673	5,78
321,00	397,64	70,35	82,65	914,94	188,97	749,32	3,673	5,78
322,00	394,93	70,45	82,64	913,33	188,34	747,33	3,673	5,73
323,00	394,10	70,50	82,37	912,28	187,72	745,67	3,572	5,83
324,00	392,77	70,41	82,33	909,84	187,26	744,03	3,572	5,65
325,00	392,37	70,37	82,38	907,61	186,73	742,71	3,572	5,70
326,00	390,46	70,40	82,51	905,21	186,27	741,31	3,572	5,65
327,00	388,17	70,30	82,23	902,77	185,83	739,64	3,572	5,60
328,00	387,81	70,41	82,31	900,58	185,22	738,81	3,572	5,55
329,00	386,28	70,45	82,22	898,16	184,78	737,97	3,472	5,53
330,00	385,40	70,46	82,22	896,34	184,40	737,40	3,472	5,58
331,00	384,62	70,25	82,16	894,49	183,96	735,42	3,472	5,70
332,00	383,01	70,26	82,01	892,50	183,54	733,36	3,472	5,78
333,00	382,16	70,37	82,22	889,73	183,16	733,56	3,472	5,70
334,00	381,45	70,55	82,05	887,25	182,69	732,06	3,471	5,80
335,00	380,56	70,49	81,57	884,92	182,21	731,38	3,375	5,58
336,00	379,64	70,34	81,87	883,63	181,90	730,74	3,375	5,60
337,00	378,09	70,42	81,89	884,68	181,60	729,50	3,375	5,83
338,00	376,38	70,52	81,66	907,27	181,30	728,66	3,375	5,61
339,00	376,35	70,34	81,67	916,19	180,91	727,67	3,274	5,65
340,00	376,02	70,54	81,50	921,11	180,61	726,31	3,274	5,73
341,00	375,07	70,56	81,77	924,67	180,35	726,52	3,274	5,70
342,00	375,12	70,46	81,50	926,72	180,02	728,96	3,274	5,73
343,00	375,24	70,51	81,66	926,74	179,71	729,54	3,243	5,78
344,00	376,19	70,54	81,45	927,66	179,58	728,74	3,274	5,63
345,00	375,70	70,66	81,33	927,51	179,37	730,33	3,174	5,58
346,00	376,04	70,60	81,33	926,62	179,31	730,57	3,174	5,60
347,00	376,24	70,58	81,12	925,66	179,24	728,80	3,174	5,70
348,00	374,99	70,55	81,19	924,26	179,14	728,10	3,073	5,58
349,00	373,95	70,49	81,27	922,44	179,06	727,48	3,073	5,76
350,00	374,22	70,55	81,28	919,29	178,93	725,23	3,073	5,70
351,00	374,40	70,43	81,10	917,84	178,95	724,12	3,073	5,65
352,00	373,87	70,35	81,25	917,47	178,96	724,35	3,049	5,63
353,00	373,48	70,40	81,03	914,76	178,96	721,93	2,973	5,63
354,00	372,14	70,28	81,03	913,13	178,94	719,41	2,973	5,55
355,00	371,83	70,35	81,18	910,25	178,84	717,19	2,973	5,55

356,00	371,88	70,39	80,93	908,24	178,84	765,45	2,973	5,60
357,00	370,69	70,22	80,96	907,51	178,84	764,18	2,899	5,70
358,00	371,01	70,40	81,13	906,26	178,76	761,17	2,973	5,63
359,00	371,79	70,43	81,06	904,62	178,67	762,37	2,872	5,60
360,00	371,13	70,48	80,70	902,04	178,61	762,49	2,872	5,55
361,00	370,62	70,40	80,65	900,89	178,63	759,75	2,868	5,55
362,00	370,37	70,32	81,10	899,28	178,67	758,57	2,774	5,72
363,00	370,44	70,33	80,89	897,90	178,63	756,70	2,772	5,60
364,00	370,77	70,32	80,89	896,35	178,54	756,98	2,772	5,70
365,00	369,58	70,46	81,01	895,59	178,57	758,68	2,772	5,58
366,00	369,68	70,43	80,93	894,54	178,45	755,79	2,772	5,63
367,00	368,49	70,64	80,86	892,78	178,38	754,01	2,674	5,55
368,00	368,85	70,71	80,83	891,57	178,41	751,74	2,715	5,76
369,00	368,42	70,77	80,63	889,39	178,41	750,96	2,674	5,70
370,00	367,09	70,84	80,72	888,01	178,43	749,07	2,674	5,58
371,00	366,19	70,77	80,45	887,03	178,41	747,13	2,674	5,65
372,00	365,39	70,77	80,67	884,88	178,39	746,99	2,575	5,55
373,00	366,66	70,70	80,64	883,05	178,35	745,16	2,628	5,65
374,00	366,20	70,65	80,89	881,76	178,29	744,81	2,674	5,41
375,00	365,70	70,48	80,70	880,22	178,29	743,34	2,574	5,55
376,00	364,03	70,54	80,44	879,37	178,26	742,32	2,574	5,65
377,00	363,89	70,46	80,72	877,85	178,19	742,63	2,574	5,73
378,00	363,41	70,44	80,85	876,53	178,03	741,70	2,574	5,58
379,00	362,72	70,39	80,78	875,12	177,96	739,00	2,574	5,65
380,00	362,73	70,51	80,77	873,94	177,83	738,78	2,473	5,65
381,00	362,59	70,40	80,75	872,33	177,67	737,72	2,473	5,80
382,00	362,78	70,55	80,70	871,37	177,52	736,79	2,473	5,70
383,00	361,44	70,60	80,64	869,92	177,32	735,51	2,473	5,78
384,00	360,84	70,57	80,79	868,00	177,11	732,92	2,441	5,63
385,00	360,74	70,70	80,37	866,37	176,97	731,17	2,373	5,58
386,00	360,00	70,70	80,04	865,26	176,76	731,72	2,454	5,65
387,00	358,62	70,57	80,41	862,36	176,64	745,64	2,373	5,70
388,00	359,71	70,51	80,63	818,88	176,55	745,25	2,361	5,76
389,00	358,34	70,75	80,62	791,49	176,43	751,93	2,272	5,60
390,00	358,11	70,79	80,50	783,82	176,37	758,47	2,272	5,60
391,00	358,62	70,81	80,56	779,30	176,33	753,74	2,172	5,63
392,00	356,48	70,72	80,54	775,72	176,22	746,37	2,172	5,65
393,00	355,59	70,73	80,66	770,28	175,98	740,45	2,172	5,55
394,00	355,08	70,75	80,74	762,55	175,71	734,81	2,172	5,70
395,00	352,78	70,62	80,51	755,78	175,54	733,07	2,071	5,58
396,00	352,23	70,71	80,58	749,59	175,33	724,59	2,097	5,55
397,00	351,25	70,70	80,40	746,19	175,16	723,30	2,071	5,60
398,00	348,58	70,67	80,49	744,87	174,92	720,11	2,071	5,65
399,00	347,35	70,78	80,73	743,39	174,64	715,10	2,071	5,58
400,00	347,96	70,76	80,34	741,26	174,43	711,27	2,025	5,73
401,00	346,80	70,73	80,26	739,07	174,10	708,90	1,974	5,70
402,00	345,55	70,64	80,25	736,32	173,82	704,45	1,974	5,63
403,00	343,81	70,57	80,44	733,76	173,47	701,70	1,974	5,78
404,00	342,47	70,56	80,32	730,78	173,26	698,28	1,974	5,63
405,00	342,95	70,59	80,32	727,53	173,00	695,23	1,874	5,60
406,00	341,80	70,54	80,09	724,91	172,75	691,35	1,874	5,65
407,00	340,67	70,49	80,01	722,09	172,50	687,41	1,874	5,48
408,00	339,49	70,55	79,83	719,94	172,22	687,59	1,874	5,73
409,00	338,47	70,58	79,54	719,04	171,96	683,71	1,874	5,60
410,00	336,00	70,57	79,53	718,64	171,70	686,22	1,871	5,71
411,00	336,23	70,72	79,42	718,06	171,64	682,68	1,773	5,53
412,00	335,12	70,68	79,54	717,61	171,58	681,18	1,773	5,70
413,00	334,38	70,40	79,36	717,47	171,41	679,71	1,773	5,60
414,00	333,24	70,58	79,14	716,90	171,20	673,74	1,773	5,60
415,00	332,49	70,61	79,45	716,59	171,03	676,83	1,773	5,76
416,00	331,01	70,46	79,43	716,50	170,90	674,43	1,673	5,65
417,00	330,41	70,52	79,59	716,30	170,70	674,22	1,673	5,65
418,00	329,65	70,43	79,44	716,08	170,60	672,28	1,673	5,76
419,00	328,85	70,55	79,11	715,51	170,30	672,54	1,673	5,78
420,00	328,12	70,41	79,06	715,76	170,17	670,39	1,673	5,55
421,00	326,62	70,57	79,09	715,84	169,99	668,73	1,673	5,73
422,00	326,09	70,58	79,10	712,73	169,86	673,69	1,668	5,73
423,00	324,74	70,50	78,94	711,03	169,70	672,73	1,572	5,73
424,00	325,13	70,55	79,13	710,82	169,59	671,76	1,572	5,65
425,00	324,89	70,58	78,73	710,37	169,46	669,21	1,572	5,73
426,00	324,19	70,51	79,01	709,12	169,32	674,80	1,558	5,60
427,00	323,32	70,48	79,07	705,59	169,15	676,38	1,472	5,73

428,00	322,63	70,60	78,84	704,25	169,01	676,46	1,472	5,76
429,00	321,54	70,52	78,54	703,36	168,86	676,72	1,472	5,55
430,00	321,66	70,42	78,78	702,51	168,72	676,79	1,472	5,73
431,00	321,95	70,51	78,48	700,95	168,56	674,29	1,472	5,53
432,00	320,85	70,51	78,59	700,09	168,37	674,46	1,380	5,73
433,00	319,30	70,41	78,60	699,14	168,21	671,78	1,371	5,63
434,00	318,47	70,38	78,56	697,68	168,03	669,88	1,371	5,58
435,00	317,71	70,36	78,44	696,05	167,76	669,06	1,371	5,65
436,00	317,97	70,38	78,38	694,13	167,57	669,03	1,371	5,63
437,00	317,25	70,41	78,50	692,60	167,40	668,48	1,371	5,78
438,00	316,47	70,42	78,36	691,99	167,15	666,00	1,274	5,70
439,00	315,25	70,37	78,39	690,83	166,88	663,31	1,274	5,60
440,00	314,99	70,45	78,28	690,37	166,72	662,27	1,274	5,73
441,00	314,90	70,40	78,18	689,26	166,59	660,70	1,274	5,70
442,00	313,14	70,37	78,27	689,19	166,42	661,02	1,274	5,76
443,00	311,87	70,42	78,18	688,91	166,17	660,73	1,274	5,65
444,00	311,42	70,41	78,16	689,43	166,07	660,45	1,173	5,70
445,00	311,06	70,52	78,25	690,40	165,87	661,11	1,173	5,70
446,00	310,70	70,56	78,43	689,89	165,63	659,93	1,173	5,76
447,00	310,34	70,58	78,09	690,77	165,46	658,96	1,173	5,70
448,00	310,44	70,46	78,19	691,55	165,28	659,56	1,172	5,65
449,00	309,22	70,41	78,23	692,07	165,13	656,62	1,173	5,65
450,00	308,65	70,45	78,24	691,93	164,92	658,44	1,173	5,73
451,00	308,50	70,36	78,29	692,74	164,67	657,14	1,073	5,58
452,00	308,59	70,30	78,15	693,84	164,49	657,02	1,073	5,65
453,00	307,35	70,32	78,10	693,73	164,27	654,69	1,073	5,65
454,00	306,52	70,42	78,27	694,20	164,10	655,36	1,073	5,63
455,00	305,81	70,49	77,98	694,92	163,89	653,76	1,073	5,65
456,00	305,28	70,44	77,64	695,78	163,79	654,07	1,001	5,73
457,00	305,94	70,29	77,75	696,51	163,69	653,71	1,073	5,70
458,00	306,60	70,45	78,00	697,41	163,57	653,99	0,972	5,73
459,00	306,07	70,41	77,83	696,48	163,31	651,97	0,972	5,58
460,00	305,08	70,31	78,11	691,51	163,23	647,90	0,972	5,55
461,00	303,99	70,46	77,79	688,66	163,01	645,67	0,972	5,65
462,00	302,50	70,42	77,85	688,20	162,95	646,05	0,972	5,55
463,00	303,22	70,46	77,91	686,87	162,76	643,24	0,972	5,63
464,00	302,59	70,44	77,85	684,47	162,72	641,20	0,872	5,63
465,00	302,84	70,32	77,90	683,09	162,59	639,07	0,872	5,55
466,00	301,55	70,28	77,94	683,13	162,39	639,03	0,872	5,73
467,00	301,47	70,53	77,60	683,27	162,17	637,09	0,872	5,53
468,00	302,04	70,48	77,53	683,72	162,01	637,02	0,872	5,65
469,00	301,15	70,52	77,63	684,17	161,91	637,18	0,872	5,60
470,00	300,31	70,55	77,74	684,71	161,76	637,92	0,872	5,70
471,00	299,68	70,62	77,83	685,16	161,59	635,99	0,771	5,70
472,00	299,99	70,59	77,73	684,83	161,44	634,70	0,771	5,70
473,00	299,06	70,55	77,81	685,08	161,35	632,78	0,771	5,58
474,00	299,32	70,50	77,81	685,63	161,20	629,30	0,771	5,60
475,00	298,82	70,42	77,71	685,71	161,07	629,83	0,771	5,53
476,00	298,71	70,40	77,50	687,10	160,96	630,21	0,771	5,70
477,00	299,69	70,45	77,72	687,50	160,87	628,23	0,771	5,58
478,00	298,40	70,48	77,56	688,34	160,75	629,57	0,671	5,58
479,00	297,06	70,43	77,63	688,56	160,65	627,23	0,671	5,73
480,00	297,09	70,56	77,50	688,35	160,47	625,51	0,671	5,73
481,00	296,92	70,48	77,71	687,67	160,26	623,52	0,671	5,70
482,00	296,36	70,51	77,46	686,35	160,14	622,69	0,671	5,70
483,00	295,30	70,40	77,62	686,08	160,07	621,45	0,671	5,70
484,00	295,62	70,49	77,65	684,88	159,95	621,99	0,624	5,60
485,00	295,50	70,41	77,63	684,10	159,80	620,65	0,627	5,70
486,00	295,80	70,39	77,43	684,69	159,69	619,14	0,611	5,55
487,00	295,74	70,39	77,66	681,97	159,63	615,02	0,574	5,73
488,00	295,68	70,36	77,51	678,31	159,49	613,90	0,574	5,55
489,00	294,26	70,11	77,53	676,20	159,35	611,05	0,574	5,83
490,00	295,26	70,33	77,54	675,82	159,23	609,11	0,574	5,70
491,00	294,06	70,48	77,69	675,90	159,12	607,86	0,574	5,63
492,00	294,16	70,48	77,43	675,68	158,98	606,86	0,540	5,57
493,00	293,82	70,30	77,47	675,75	158,90	604,07	0,473	5,58
494,00	293,30	70,44	77,61	675,69	158,76	607,97	0,542	5,63
495,00	293,31	70,29	77,52	675,08	158,61	606,88	0,473	5,80
496,00	292,35	70,33	77,28	675,62	158,40	604,77	0,473	5,65
497,00	291,96	70,28	77,41	677,06	158,19	605,23	0,473	5,76
498,00	290,94	70,24	77,55	676,60	157,92	603,75	0,473	5,78
499,00	291,35	70,37	77,51	673,39	157,64	603,49	0,373	5,70

500,00	291,49	70,32	77,41	665,25	157,39	599,11	0,373	5,70
501,00	290,85	70,35	77,41	664,00	157,13	598,43	0,373	5,83
502,00	290,17	70,20	77,43	664,49	156,78	594,52	0,373	5,58
503,00	290,49	70,26	77,62	664,41	156,46	592,05	0,373	5,78
504,00	289,15	70,22	77,38	664,21	156,27	591,07	0,373	5,55
505,00	290,02	70,16	77,35	663,70	156,05	591,43	0,289	5,63
506,00	290,01	70,25	77,25	665,16	155,85	591,43	0,272	5,65
507,00	289,21	70,26	77,23	663,44	155,59	589,70	0,301	5,60
508,00	287,61	70,29	77,24	661,11	155,34	587,16	0,272	5,70
509,00	287,69	69,94	77,34	659,29	155,10	587,12	0,324	5,60
510,00	287,31	70,20	77,34	658,19	154,79	589,67	0,272	5,65
511,00	287,15	70,20	77,23	658,51	154,58	589,28	0,272	5,62
512,00	286,75	70,11	77,06	658,60	154,30	587,27	0,272	5,78
513,00	285,58	70,12	77,11	659,16	154,05	587,15	0,272	5,75
514,00	284,79	70,08	76,91	659,65	153,86	587,21	0,272	5,63
515,00	284,85	70,07	77,17	661,22	153,59	585,92	0,172	5,63
516,00	284,15	70,06	77,20	660,48	153,37	585,38	0,172	5,58
517,00	284,62	70,05	77,10	659,26	153,09	584,14	0,172	5,58
518,00	285,88	69,88	76,99	658,63	152,86	583,97	0,172	5,55
519,00	285,21	69,99	76,97	654,72	152,66	581,70	0,172	5,75
520,00	284,08	70,00	76,86	649,73	152,43	580,90	0,172	5,73
521,00	283,19	69,91	77,02	649,26	152,27	580,30	0,172	5,63
522,00	282,26	69,93	76,83	648,82	152,03	581,10	0,071	5,60
523,00	282,48	69,88	76,77	643,68	151,86	582,29	0,171	5,73
524,00	281,50	69,83	77,01	638,10	151,69	581,25	0,071	5,70
525,00	282,03	69,93	76,91	634,92	151,48	581,24	0,071	5,76
526,00	281,89	69,92	76,93	632,16	151,31	578,75	0,071	5,76
527,00	280,61	69,90	77,07	630,81	151,16	575,22	0,071	5,70
528,00	280,13	69,91	76,98	629,85	150,87	574,20	0,071	5,76
529,00	278,90	69,80	76,81	629,64	150,60	574,80	0,071	5,78
530,00	279,17	69,79	76,97	629,24	150,30	575,05	0,049	5,65
531,00	281,24	70,06	79,40	575,21	150,43	524,82	30,255	5,55
532,00	283,89	69,94	79,86	569,06	152,07	456,41	38,893	5,65
533,00	292,39	69,96	80,23	580,85	153,55	420,57	38,796	5,63
534,00	298,71	69,83	80,78	557,06	155,01	410,82	38,796	5,55
535,00	304,87	69,71	81,88	590,59	156,89	420,62	38,695	5,58
536,00	309,47	69,48	82,14	626,10	159,05	431,13	38,670	5,58
537,00	314,67	69,21	82,33	643,88	161,28	445,34	38,595	5,53
538,00	318,86	69,13	82,62	662,95	163,57	476,10	38,494	5,60
539,00	324,33	68,94	82,76	665,06	165,79	496,00	38,494	5,60
540,00	329,13	68,85	82,78	677,47	167,91	504,72	38,394	5,55
541,00	333,32	68,78	83,23	687,13	169,92	516,57	38,394	5,58
542,00	335,44	68,67	82,51	664,63	171,98	532,44	38,293	5,70
543,00	328,50	68,64	80,89	725,72	172,76	511,86	38,193	5,58
544,00	326,39	68,46	80,78	727,56	172,76	486,46	38,193	5,63
545,00	337,47	68,63	82,73	707,16	172,10	448,10	38,193	5,55
546,00	343,47	68,47	83,28	678,89	170,91	441,15	38,193	5,65
547,00	345,70	68,70	83,84	693,58	169,59	458,35	38,095	5,60
548,00	347,79	68,39	84,20	710,99	168,27	453,09	38,095	5,60
549,00	348,60	68,20	84,30	726,18	166,97	446,23	37,995	5,58
550,00	350,62	68,26	84,07	739,10	165,82	440,43	37,995	5,58
551,00	352,97	68,29	84,35	752,78	164,79	444,54	37,894	5,53
552,00	355,04	68,33	84,63	759,90	163,81	443,21	37,859	5,55
553,00	357,51	68,32	84,83	771,34	162,92	442,03	37,793	5,51
554,00	360,24	68,10	85,02	789,17	162,14	442,55	37,735	5,48
555,00	363,02	68,12	85,06	798,93	161,41	441,72	37,693	5,53
556,00	366,56	68,02	85,14	804,22	160,73	439,96	37,593	5,41
557,00	368,57	68,01	85,44	811,12	160,16	437,46	37,592	5,58
558,00	370,79	67,95	85,62	819,71	159,66	438,01	37,495	5,53
559,00	373,86	68,11	86,05	828,78	159,21	439,04	37,495	5,51
560,00	377,30	67,90	86,48	838,90	158,83	442,18	37,395	5,51
561,00	380,64	67,92	86,39	848,15	158,51	446,09	37,295	5,60
562,00	384,64	68,04	86,81	853,54	158,25	440,99	37,213	5,58
563,00	387,57	67,85	86,96	862,98	158,00	448,41	37,194	5,58
564,00	391,76	67,90	86,96	876,34	157,79	448,79	37,093	5,58
565,00	396,23	67,88	87,51	880,55	157,67	450,53	36,992	5,51
566,00	400,95	67,95	87,82	900,67	157,60	454,48	36,992	5,55
567,00	406,70	67,87	88,23	927,01	157,57	464,61	36,892	5,51
568,00	412,57	67,90	88,45	956,42	157,60	482,36	36,795	5,55
569,00	419,37	67,88	88,96	974,25	157,67	496,88	36,694	5,58
570,00	424,75	67,76	89,36	994,00	157,89	507,02	36,594	5,41
571,00	432,33	67,80	90,06	1017,24	158,15	527,89	36,493	5,47

572,00	438,74	67,85	90,62	1031,46	158,51	541,32	36,399	5,58
573,00	444,92	67,80	90,90	1037,56	158,97	551,25	36,292	5,46
574,00	450,67	67,79	91,52	1049,47	159,49	561,46	36,191	5,58
575,00	455,84	67,73	91,69	1058,51	160,11	561,74	36,094	5,51
576,00	461,63	67,81	92,23	1062,28	160,81	560,35	35,993	5,58
577,00	467,25	67,80	92,89	1076,00	161,57	569,75	35,893	5,55
578,00	472,67	67,70	93,14	1082,76	162,44	578,13	35,792	5,53
579,00	477,70	67,73	93,63	1087,68	163,36	584,33	35,692	5,55
580,00	483,61	67,79	93,89	1103,80	164,32	603,11	35,591	5,51
581,00	489,43	67,76	94,29	1113,72	165,42	611,21	35,491	5,55
582,00	494,96	67,84	95,30	1127,03	166,57	629,39	35,393	5,48
583,00	500,51	67,72	95,55	1137,92	167,83	643,18	35,293	5,53
584,00	506,64	67,88	96,02	1140,56	169,08	648,10	35,092	5,46
585,00	511,21	67,76	96,00	1142,86	170,39	649,62	34,991	5,48
586,00	516,62	67,95	96,52	1147,46	171,77	657,14	34,890	5,51
587,00	521,08	67,81	97,25	1149,53	173,16	663,55	34,790	5,58
588,00	525,33	67,94	97,60	1153,80	174,57	671,63	34,592	5,55
589,00	528,69	67,76	97,69	1153,87	175,98	671,76	34,555	5,41
590,00	532,75	67,92	98,07	1151,19	177,43	676,60	34,391	5,55
591,00	536,16	67,73	98,35	1147,36	178,92	677,10	34,290	5,48
592,00	539,46	67,85	98,82	1150,65	180,41	688,92	34,176	5,46
593,00	543,10	67,79	99,49	1155,47	181,90	696,28	34,089	5,46
594,00	546,58	67,86	99,96	1159,71	183,36	719,02	33,891	5,51
595,00	549,85	67,87	100,45	1169,70	184,79	741,03	33,791	5,51
596,00	553,27	68,00	100,55	1175,69	186,29	766,77	33,690	5,46
597,00	555,10	67,85	100,45	1173,57	187,79	773,07	33,489	5,46
598,00	557,54	67,95	101,40	1175,12	189,29	777,56	33,388	5,34
599,00	559,57	67,86	101,48	1176,57	190,83	785,14	33,291	5,38
600,00	561,29	67,90	101,81	1174,34	192,34	792,65	33,090	5,37
601,00	562,77	67,79	101,86	1168,83	193,89	804,05	32,990	5,53
602,00	565,50	67,88	102,13	1166,99	195,39	828,91	32,889	5,38
603,00	566,86	67,96	102,48	1160,27	196,93	838,03	32,789	5,46
604,00	568,14	67,99	102,72	1156,83	198,39	883,38	32,591	5,38
605,00	569,47	68,08	103,51	1153,93	199,85	913,18	32,490	5,46
606,00	570,93	68,00	103,20	1152,52	201,25	946,98	32,289	5,46
607,00	573,13	67,91	103,36	1163,44	202,66	952,82	32,188	5,46
608,00	573,82	68,18	103,62	1160,12	203,98	954,18	32,088	5,36
609,00	575,54	68,12	104,03	1166,68	205,30	951,10	31,890	5,38
610,00	577,62	68,00	104,23	1173,74	206,58	946,11	31,789	5,38
611,00	580,15	67,96	104,38	1176,43	207,88	961,55	31,689	5,38
612,00	581,59	68,17	104,78	1176,16	209,09	955,41	31,588	5,34
613,00	583,55	67,95	104,62	1178,16	210,31	954,47	31,387	5,38
614,00	584,44	67,84	104,75	1185,54	211,51	969,41	31,201	5,48
615,00	585,78	68,12	104,93	1184,24	212,70	979,50	31,089	5,41
616,00	586,43	67,88	104,85	1176,66	213,82	979,28	30,988	5,36
617,00	587,81	68,11	105,04	1184,70	214,96	966,63	30,878	5,41
618,00	587,57	67,91	105,23	1176,64	216,04	952,10	30,687	5,38
619,00	587,73	68,19	105,23	1174,47	217,13	972,71	30,586	5,41
620,00	586,77	68,12	105,29	1170,44	218,15	948,76	30,489	5,48
621,00	586,64	68,06	104,90	1166,58	219,19	940,90	30,379	5,38
622,00	587,26	67,91	105,33	1152,95	220,14	953,34	30,188	5,38
623,00	586,60	68,10	104,98	1212,80	221,07	891,05	30,087	5,48
624,00	588,86	68,15	105,04	1246,29	222,01	924,41	29,986	5,41
625,00	589,31	68,07	104,59	1141,85	223,03	872,31	29,886	5,48
626,00	586,83	68,12	104,52	1204,22	224,00	861,90	29,788	5,51
627,00	589,31	68,16	105,08	1159,70	225,00	870,71	29,688	5,48
628,00	585,98	67,97	105,11	1116,31	225,95	884,62	29,491	5,34
629,00	584,56	68,16	105,31	1107,31	226,80	891,10	29,389	5,41
630,00	582,90	67,95	104,64	1106,25	227,64	854,30	29,286	5,41
631,00	585,74	68,07	104,68	1233,47	228,45	877,93	29,185	5,29
632,00	589,18	68,09	104,58	1250,42	229,29	878,60	29,088	5,36
633,00	592,26	67,83	104,63	1264,80	230,21	879,52	28,987	5,51
634,00	593,85	68,13	105,38	1186,19	231,20	900,23	28,887	5,41
635,00	590,44	67,85	104,98	1180,71	232,14	855,59	28,691	5,48
636,00	593,75	68,09	105,24	1273,37	233,08	894,47	28,585	5,48
637,00	598,82	67,95	105,37	1295,13	234,02	907,52	28,484	5,36
638,00	598,93	68,10	105,23	1248,46	235,00	927,49	28,387	5,48
639,00	600,99	68,09	105,36	1250,25	235,97	905,50	28,287	5,22
640,00	603,53	68,08	105,82	1294,22	236,92	981,75	28,131	5,29
641,00	602,93	68,13	105,32	1221,02	237,92	951,62	27,985	5,35
642,00	604,75	68,11	107,56	1237,00	238,84	983,64	27,885	5,53
643,00	604,49	68,28	106,76	1245,40	239,74	986,82	27,785	5,41

644,00	605,77	68,13	105,74	1268,22	240,57	944,28	27,687	5,46
645,00	611,10	68,21	106,16	1311,39	241,33	944,59	27,586	5,46
646,00	613,04	67,98	106,37	1308,18	242,18	987,35	27,413	5,31
647,00	615,55	68,20	106,16	1325,20	243,04	947,32	27,285	5,38
648,00	616,86	67,99	106,64	1301,95	243,90	940,91	27,184	5,38
649,00	619,60	67,94	106,53	1314,38	244,80	952,57	27,083	5,41
650,00	622,23	68,06	106,78	1347,74	245,65	1010,41	26,959	5,46
651,00	626,03	67,92	106,98	1348,47	246,57	972,10	26,785	5,36
652,00	628,61	68,23	107,31	1363,66	247,49	985,85	26,685	5,36
653,00	631,33	67,93	107,40	1370,90	248,47	990,71	26,584	5,36
654,00	635,17	67,85	107,55	1380,29	249,50	1001,03	26,483	5,36
655,00	638,00	67,88	108,07	1386,46	250,55	1010,22	26,286	5,38
656,00	641,90	68,23	108,04	1392,13	251,69	1021,19	26,185	5,46
657,00	645,18	68,17	108,29	1397,00	252,87	1027,28	26,085	5,48
658,00	647,81	68,11	108,61	1401,76	254,01	1033,38	25,984	5,29
659,00	651,14	68,05	108,68	1401,70	255,19	1036,27	25,783	5,38
660,00	654,19	68,06	109,09	1405,39	256,39	1038,28	25,682	5,41
661,00	657,16	67,89	108,98	1408,23	257,58	1049,18	25,585	5,38
662,00	659,62	68,25	109,63	1412,49	258,78	1054,41	25,485	5,48
663,00	662,63	68,01	109,30	1415,52	260,03	1059,41	25,284	5,46
664,00	664,24	68,12	110,00	1417,78	261,25	1066,49	25,183	5,36
665,00	665,29	68,15	109,77	1418,74	262,49	1067,36	25,082	5,40
666,00	667,75	67,98	110,02	1422,51	263,69	1072,69	24,885	5,41
667,00	670,29	68,29	110,09	1425,49	264,92	1075,71	24,784	5,41
668,00	671,80	67,61	110,37	1425,23	266,13	1081,34	24,683	5,36
669,00	673,99	68,27	110,88	1424,67	267,30	1081,42	24,583	5,31
670,00	675,52	67,49	110,68	1425,11	268,46	1085,17	24,421	5,34
671,00	676,34	68,11	110,72	1424,65	269,57	1085,68	24,285	5,36
672,00	676,84	67,70	110,91	1425,09	270,72	1089,96	24,184	5,41
673,00	679,11	67,69	111,40	1426,75	271,77	1089,72	24,084	5,34
674,00	679,81	67,90	111,39	1425,19	272,90	1092,55	23,883	5,38
675,00	680,74	67,93	111,19	1423,36	273,93	1088,23	23,782	5,19
676,00	682,33	67,99	110,86	1421,23	274,89	1089,16	23,682	5,46
677,00	684,23	67,77	111,60	1417,86	275,82	1087,31	23,584	5,46
678,00	684,87	68,16	111,60	1417,79	276,69	1087,41	23,383	5,29
679,00	685,94	67,85	111,76	1417,14	277,50	1086,69	23,282	5,34
680,00	685,41	67,93	111,59	1414,81	278,26	1086,90	23,182	5,51
681,00	685,41	68,05	111,70	1413,01	278,95	1081,97	23,082	5,29
682,00	685,36	68,07	112,17	1412,18	279,59	1081,98	22,889	5,34
683,00	686,81	68,28	111,66	1413,11	280,17	1083,88	22,786	5,38
684,00	686,97	67,95	111,92	1412,74	280,73	1086,10	22,683	5,31
685,00	685,76	67,92	111,63	1412,10	281,26	1082,83	22,582	5,41
686,00	686,52	68,10	111,42	1409,52	281,78	1083,61	22,482	5,24
687,00	686,42	67,70	111,34	1407,65	282,23	1076,27	22,381	5,26
688,00	686,42	67,94	111,64	1405,63	282,61	1077,16	22,280	5,31
689,00	685,88	67,92	111,62	1404,84	282,95	1076,96	22,083	5,36
690,00	684,59	68,03	111,66	1402,33	283,21	1078,03	21,982	5,41
691,00	685,59	68,14	111,35	1402,06	283,46	1075,34	21,882	5,36
692,00	686,48	67,85	111,79	1402,02	283,64	1076,74	21,781	5,41
693,00	687,83	67,96	112,16	1403,65	283,84	1081,87	21,681	5,38
694,00	688,12	68,05	111,70	1403,17	284,09	1076,71	21,580	5,46
695,00	687,74	67,57	111,74	1405,12	284,36	1082,88	21,483	5,41
696,00	687,09	68,05	111,49	1399,50	284,58	1120,70	21,282	5,41
697,00	688,10	68,09	111,66	1401,77	284,76	1084,25	21,256	5,34
698,00	688,47	67,76	111,93	1410,32	284,89	1091,41	21,081	5,51
699,00	688,65	67,68	112,03	1390,72	285,10	1083,32	20,980	5,38
700,00	688,76	67,94	111,56	1390,59	285,25	1087,61	20,880	5,48
701,00	689,92	67,75	112,28	1408,80	285,38	1169,22	20,782	5,19
702,00	687,24	68,03	112,59	1251,00	285,53	1285,09	20,682	5,38
703,00	681,95	67,78	112,77	1195,01	285,49	1288,19	20,582	5,34
704,00	676,70	67,84	112,25	1175,77	285,30	1242,72	20,381	5,38
705,00	672,56	68,03	112,66	1164,94	285,00	1263,97	20,280	5,51
706,00	668,13	67,89	111,96	1156,15	284,54	1225,56	20,179	5,51
707,00	663,54	68,04	111,86	1137,53	284,08	1211,66	20,082	5,31
708,00	658,55	67,86	110,97	1139,16	283,52	1295,15	19,981	5,45
709,00	654,43	67,94	110,39	1204,21	282,97	1088,81	19,881	5,38
710,00	655,75	67,97	109,93	1323,41	282,42	1059,51	19,781	5,41
711,00	655,51	68,17	109,29	1332,82	281,85	1019,34	19,680	5,34
712,00	653,31	68,02	109,24	1322,39	281,29	983,20	19,579	5,34
713,00	650,16	67,82	108,68	1286,08	280,82	951,51	19,579	5,46
714,00	645,10	67,64	108,36	1248,11	280,24	942,28	19,381	5,46
715,00	641,65	67,58	108,16	1184,81	279,62	951,26	19,382	5,38

716,00	635,97	67,67	108,34	1144,68	278,79	911,94	19,281	5,41
717,00	630,29	67,72	108,28	1124,19	277,88	904,17	19,180	5,46
718,00	627,02	67,61	108,12	1104,99	276,78	898,25	19,085	5,34
719,00	621,87	68,00	107,62	1095,84	275,59	898,93	19,080	5,48
720,00	616,59	68,28	107,57	1094,40	274,29	909,73	18,980	5,41
721,00	611,79	67,94	107,42	1094,44	272,96	907,91	18,879	5,38
722,00	607,88	67,91	107,01	1107,88	271,56	933,36	18,779	5,51
723,00	604,31	68,18	106,61	1092,30	270,12	897,61	18,681	5,48
724,00	599,51	67,96	105,72	1089,46	268,65	913,77	18,681	5,51
725,00	596,22	67,91	105,74	1098,77	267,18	911,07	18,580	5,41
726,00	592,73	67,94	105,06	1092,74	265,68	881,92	18,480	5,38
727,00	587,75	67,89	105,24	1092,21	264,21	854,80	18,480	5,36
728,00	584,21	67,96	104,78	1078,47	262,77	854,71	18,406	5,41
729,00	579,87	67,92	104,38	1055,96	261,32	851,36	18,306	5,41
730,00	575,61	67,43	104,18	1049,57	259,90	853,54	18,279	5,46
731,00	572,37	67,58	103,56	1044,71	258,49	854,36	18,178	5,41
732,00	567,87	67,95	102,94	1041,38	257,04	864,63	18,078	5,53
733,00	565,48	67,55	103,22	1063,05	255,63	809,06	18,078	5,48
734,00	565,82	68,00	103,59	1073,08	254,21	803,95	17,981	5,31
735,00	565,75	67,71	103,14	1076,37	252,92	802,60	17,880	5,46
736,00	564,61	67,67	102,76	1079,12	251,68	808,53	17,880	5,46
737,00	563,00	67,43	102,46	1082,22	250,50	815,44	17,779	5,53
738,00	561,38	67,57	102,63	1066,78	249,48	850,06	17,679	5,46
739,00	559,20	67,51	102,03	1051,41	248,55	853,26	17,657	5,51
740,00	557,12	67,40	101,82	1051,02	247,70	851,85	17,551	5,46
741,00	554,67	67,57	102,12	1052,98	246,92	848,94	17,478	5,48
742,00	552,82	67,37	101,88	1044,04	246,18	848,53	17,478	5,41
743,00	551,07	67,66	101,05	1053,11	245,50	846,22	17,376	5,48
744,00	549,02	67,70	101,13	1066,56	244,90	848,23	17,280	5,34
745,00	548,03	67,40	101,26	1068,08	244,38	847,36	17,180	5,46
746,00	546,00	67,31	101,00	1070,61	243,95	846,91	17,079	5,48
747,00	544,75	67,69	101,04	1075,49	243,58	847,85	17,045	5,46
748,00	543,64	67,71	100,81	1072,47	243,20	851,47	16,979	5,51
749,00	543,09	67,47	100,33	1062,56	242,90	872,61	16,878	5,46
750,00	543,14	67,54	100,00	1050,03	242,69	882,63	16,778	5,51
751,00	543,06	67,51	100,39	1053,03	242,56	902,20	16,778	5,55
752,00	543,39	67,47	100,30	1055,78	242,54	914,31	16,677	5,48
753,00	544,44	67,71	100,67	1058,79	242,54	950,71	16,580	5,55
754,00	545,13	67,54	100,56	1068,61	242,63	989,24	16,480	5,41
755,00	545,92	67,71	99,96	1084,78	242,75	986,93	16,478	5,58
756,00	547,24	67,55	100,56	1085,00	242,92	1029,71	16,378	5,38
757,00	548,00	67,63	100,39	1098,39	243,16	1020,93	16,278	5,38
758,00	549,01	67,65	100,22	1105,32	243,47	1027,65	16,178	5,36
759,00	548,29	67,59	99,73	1111,69	243,84	1024,35	16,077	5,51
760,00	550,33	67,60	100,28	1122,50	244,27	1032,83	15,977	5,51
761,00	552,56	67,49	99,50	1124,71	244,75	1030,44	15,879	5,58
762,00	555,56	67,77	100,48	1118,14	245,27	1142,54	15,782	5,31
763,00	557,24	67,67	100,52	1111,69	245,82	1154,46	15,779	5,48
764,00	558,48	67,56	100,45	1105,84	246,34	1104,62	15,678	5,53
765,00	557,85	67,40	100,71	1088,55	246,83	1084,07	15,578	5,46
766,00	558,10	67,62	100,05	1090,77	247,34	1105,16	15,478	5,46
767,00	558,08	67,66	100,26	1083,57	247,85	1104,99	15,397	5,48
768,00	557,82	67,38	100,33	1082,08	248,40	1106,16	15,277	5,48
769,00	558,06	67,62	100,14	1085,87	248,92	1098,96	15,277	5,46
770,00	557,88	67,26	100,11	1084,42	249,44	1109,31	15,179	5,51
771,00	557,82	67,38	100,07	1085,95	249,94	1098,94	15,079	5,51
772,00	557,62	67,67	99,89	1078,97	250,46	1115,90	14,978	5,57
773,00	556,96	67,57	100,21	1075,95	250,99	1068,63	14,877	5,46
774,00	556,48	67,44	99,77	1066,37	251,49	1057,50	14,777	5,45
775,00	554,94	67,64	99,20	1052,24	251,91	982,47	14,777	5,51
776,00	555,88	67,57	99,29	1163,85	252,30	906,12	14,676	5,4815
777,00	557,28	67,52	99,28	1185,47	252,68	885,71	14,576	5,5323
778,00	557,59	67,92	99,28	1143,83	253,01	867,62	14,576	5,5322
779,00	557,57	67,57	99,09	1155,72	253,34	854,58	14,479	5,5119
780,00	557,01	67,44	99,32	1157,14	253,66	848,41	14,479	5,4815
781,00	556,51	67,73	99,27	1149,93	253,91	843,77	14,378	5,5525
782,00	555,48	67,53	99,23	1147,01	254,12	840,14	14,378	5,5334
783,00	556,09	67,27	98,60	1142,93	254,18	836,95	14,278	5,5525
784,00	555,30	67,26	99,17	1142,94	254,15	837,06	14,278	5,5829
785,00	555,51	67,41	98,90	1141,70	254,10	836,50	14,177	5,5119
786,00	554,57	67,53	98,92	1107,67	253,98	834,84	14,077	5,5322
787,00	551,88	67,54	98,67	1089,83	253,79	863,36	14,076	5,5525

788,00	549,92	67,30	98,32	1054,81	253,51	864,55	13,976	5,4815
789,00	547,64	67,01	98,49	1042,42	253,14	867,74	13,976	5,5525
790,00	544,00	67,03	98,65	1036,68	252,70	851,88	13,876	5,4815
791,00	542,18	67,18	98,35	1031,85	252,18	863,02	13,875	5,5829
792,00	540,36	67,32	98,55	1022,91	251,60	847,21	13,778	5,5501
793,00	537,92	67,28	98,15	1020,68	250,89	826,57	13,778	5,4612
794,00	534,91	67,13	98,28	1015,99	250,13	823,69	13,733	5,5119
795,00	532,18	67,46	98,20	1012,28	249,31	820,20	13,678	5,4612
796,00	530,22	67,20	98,09	1011,71	248,44	813,94	13,577	5,5525
797,00	527,88	67,51	97,85	1011,38	247,60	817,19	13,577	5,5829
798,00	525,08	67,12	97,57	1010,94	246,69	806,41	13,477	5,4612
799,00	523,60	67,13	97,62	1004,10	245,81	802,00	13,477	5,5525
800,00	521,23	67,25	97,63	1004,64	244,99	800,96	13,376	5,3598
801,00	518,69	67,23	97,00	1003,00	244,17	796,80	13,374	5,5553
802,00	516,62	67,21	97,01	1003,42	243,34	800,92	13,276	5,5119
803,00	515,02	67,08	96,88	994,87	242,49	795,98	13,276	5,4612
804,00	513,24	67,22	96,88	993,17	241,69	794,68	13,175	5,4815
805,00	512,03	67,33	96,46	995,47	240,91	795,84	13,175	5,4612
806,00	509,54	67,31	96,06	995,40	240,15	794,83	13,078	5,4105
807,00	508,49	67,12	95,77	993,84	239,43	791,42	13,078	5,3448
808,00	506,70	67,01	96,13	993,70	238,71	793,36	12,977	5,4105
809,00	504,91	67,13	95,89	992,10	238,01	793,66	12,950	5,5525
810,00	503,04	67,35	95,59	985,58	237,33	790,69	12,877	5,4611
811,00	500,96	67,40	95,59	985,45	236,62	787,90	12,876	5,6539
812,00	499,10	67,20	95,45	986,16	235,95	782,42	12,776	5,4612
813,00	497,29	67,45	95,50	985,37	235,30	778,74	12,776	5,5829
814,00	496,10	67,42	95,01	981,97	234,78	775,40	12,776	5,5322
815,00	495,04	67,14	95,15	985,17	234,22	770,58	12,676	5,4105
816,00	494,01	67,46	95,23	986,58	233,72	766,62	12,676	5,3801
817,00	492,62	67,37	94,70	991,07	233,21	764,90	12,575	5,4105
818,00	491,58	67,15	94,58	993,60	232,74	759,57	12,575	5,5829
819,00	490,59	67,37	95,10	995,10	232,29	757,96	12,478	5,5830
820,00	489,84	67,07	95,06	999,63	231,80	755,84	12,478	5,3800
821,00	489,61	67,58	94,69	996,88	231,35	754,11	12,378	5,5525
822,00	488,69	67,40	94,35	995,33	230,87	753,33	12,378	5,5829
823,00	488,56	67,27	94,20	1006,12	230,40	747,50	12,374	5,5322
824,00	487,43	67,19	94,21	1000,79	229,90	745,40	12,277	5,5538
825,00	487,84	67,16	94,28	995,62	229,49	751,63	12,277	5,4815
826,00	486,59	67,07	94,41	991,69	229,06	763,81	12,176	5,5119
827,00	487,67	67,10	94,03	987,14	228,65	772,34	12,166	5,5829
828,00	486,92	67,08	93,97	985,36	228,27	772,42	12,076	5,4815
829,00	487,03	67,20	94,49	983,43	227,93	771,50	12,026	5,5525
830,00	487,28	67,09	94,21	981,60	227,62	771,63	11,976	5,4815
831,00	487,02	67,07	94,10	977,31	227,30	771,25	11,975	5,5525
832,00	485,91	67,32	93,75	972,53	226,95	768,91	11,875	5,5525
833,00	485,21	67,35	93,70	969,40	226,63	766,71	11,875	5,4612
834,00	484,76	67,31	93,93	964,53	226,27	764,60	11,778	5,4612
835,00	483,12	67,16	93,69	961,62	225,91	760,33	11,778	5,5525
836,00	482,04	67,21	93,43	957,41	225,61	755,07	11,778	5,5119
837,00	480,84	67,30	93,58	950,15	225,33	754,63	11,677	5,5525
838,00	480,42	66,97	93,37	946,87	224,96	751,84	11,677	5,5829
839,00	479,58	67,32	93,16	944,16	224,60	750,26	11,674	5,5829
840,00	477,90	66,96	93,42	942,31	224,33	744,29	11,577	5,4105
841,00	477,30	67,30	92,96	939,14	223,97	742,45	11,476	5,5119
842,00	476,18	67,11	92,91	935,11	223,64	738,22	11,476	5,5829
843,00	474,52	67,23	93,09	934,90	223,23	737,55	11,476	5,4814
844,00	473,74	66,79	92,46	935,37	222,79	738,22	11,376	5,5852
845,00	471,63	67,05	92,71	934,79	222,41	735,70	11,376	5,5525
846,00	471,38	67,07	92,81	934,22	222,07	736,44	11,275	5,5119
847,00	470,78	67,06	92,54	934,09	221,68	737,18	11,275	5,5829
848,00	470,35	66,94	92,53	939,46	221,28	737,26	11,186	5,5322
849,00	469,68	67,01	92,44	944,59	220,91	740,82	11,188	5,5829
850,00	468,89	67,08	92,33	950,62	220,56	742,78	11,175	5,6032
851,00	468,90	67,22	92,28	960,31	220,26	745,12	11,078	5,5525
852,00	468,84	67,04	92,40	969,17	219,94	748,29	11,077	5,5524
853,00	468,91	67,40	92,49	976,09	219,61	750,18	10,977	5,5322
854,00	468,76	67,29	91,89	977,47	219,32	756,80	10,977	5,5829
855,00	468,22	67,39	92,36	972,35	219,07	761,46	10,977	5,5119
856,00	468,41	67,14	91,93	969,39	218,88	764,84	10,876	5,5536
857,00	467,61	67,26	92,49	960,25	218,68	764,02	10,877	5,4612
858,00	467,83	67,26	92,13	959,31	218,48	766,91	10,876	5,5119
859,00	466,65	67,47	92,16	956,63	218,33	770,17	10,776	5,5322

860,00	466,99	67,10	92,01	966,57	218,16	774,63	10,776	5,5525
861,00	467,08	67,18	92,24	971,34	217,94	776,75	10,675	5,5829
862,00	467,43	67,10	91,82	970,57	217,68	775,32	10,676	5,5829
863,00	468,01	67,21	91,64	966,94	217,46	775,31	10,673	5,5119
864,00	467,86	67,30	92,10	960,22	217,29	776,20	10,575	5,4105
865,00	468,15	67,11	91,82	959,91	217,14	775,90	10,474	5,5829
866,00	468,08	67,17	91,97	956,04	216,99	775,60	10,474	5,4815
867,00	467,71	66,76	91,70	953,96	216,84	774,26	10,474	5,5322
868,00	467,52	67,12	91,92	957,63	216,72	774,54	10,377	5,5829
869,00	467,48	67,16	91,63	953,65	216,63	774,23	10,377	5,5829
870,00	466,59	67,04	92,02	949,58	216,48	776,19	10,377	5,4799
871,00	466,89	67,23	91,62	947,00	216,36	774,98	10,277	5,5525
872,00	467,10	67,24	91,52	952,32	216,23	775,62	10,276	5,5322
873,00	465,94	66,89	91,66	950,90	216,12	774,37	10,276	5,4814
874,00	465,71	67,20	91,91	951,71	216,08	776,49	10,176	5,5119
875,00	465,92	67,19	91,68	954,66	215,94	776,18	10,080	5,5524
876,00	465,99	67,16	91,76	958,18	215,82	776,07	10,076	5,5322
877,00	465,89	67,00	91,37	962,73	215,69	779,07	10,076	5,5322
878,00	466,19	67,05	91,61	961,33	215,59	781,76	10,076	5,5525
879,00	465,80	67,12	91,50	960,49	215,51	781,23	9,975	5,4612
880,00	465,68	66,93	91,41	969,28	215,43	787,39	9,975	5,5829
881,00	466,31	67,08	91,49	969,87	215,32	786,35	9,955	5,5119
882,00	466,16	67,05	91,71	979,30	215,21	785,00	9,874	5,4814
883,00	467,05	67,19	91,10	965,26	215,09	774,47	9,874	5,5829
884,00	465,83	66,80	90,82	939,75	214,96	762,47	9,774	5,6032
885,00	464,06	66,72	91,01	913,59	214,81	753,75	9,774	5,5322
886,00	461,56	67,20	90,58	893,25	214,68	746,68	9,774	5,7045
887,00	458,92	66,84	90,70	881,73	214,61	742,76	9,677	5,5524
888,00	456,42	67,48	90,82	870,39	214,46	743,15	9,677	5,5479
889,00	455,12	67,42	90,45	862,10	214,34	742,00	9,677	5,5322
890,00	453,66	67,61	90,79	851,94	214,23	740,59	9,677	5,4105
891,00	450,58	67,42	90,66	842,79	214,03	737,92	9,576	5,6336
892,00	449,21	67,20	90,53	837,44	213,83	735,59	9,576	5,5541
893,00	447,76	67,23	90,47	832,00	213,59	734,08	9,576	5,5524
894,00	445,57	67,40	90,21	827,38	213,33	729,93	9,576	5,5524
895,00	443,47	67,36	90,21	822,76	213,02	727,76	9,476	5,5525
896,00	441,90	67,03	89,92	820,20	212,70	725,53	9,476	5,5322
897,00	439,57	66,87	89,96	817,21	212,36	723,41	9,476	5,5322
898,00	438,09	66,93	89,37	814,58	212,07	722,70	9,476	5,5829
899,00	437,09	66,65	89,60	810,93	211,71	721,19	9,375	5,5524
900,00	435,89	66,83	89,55	808,91	211,39	719,24	9,375	5,5119
901,00	434,39	66,51	89,23	808,24	211,01	716,93	9,375	5,5829
902,00	433,06	66,81	89,34	806,05	210,66	714,01	9,375	5,5119
903,00	431,52	66,65	89,33	805,02	210,33	713,91	9,275	5,5118
904,00	429,63	66,84	89,15	804,02	209,96	712,95	9,275	5,5524
905,00	429,26	66,47	88,85	801,46	209,66	709,76	9,275	5,5322
906,00	428,12	66,46	88,76	799,01	209,30	705,13	9,275	5,4868
907,00	427,53	66,41	88,46	796,58	208,99	706,68	9,174	5,5829
908,00	426,04	66,49	88,76	794,65	208,68	705,63	9,224	5,5829
909,00	425,06	66,31	88,73	792,86	208,38	705,17	9,174	5,5525
910,00	424,19	66,60	88,42	789,08	208,05	705,15	9,174	5,5829
911,00	423,28	66,58	88,28	787,29	207,74	702,88	9,174	5,5829
912,00	421,97	66,44	88,49	785,65	207,45	701,38	9,074	5,5524
913,00	420,40	66,87	88,74	784,14	207,13	701,45	9,074	5,5829
914,00	419,50	66,96	88,21	782,47	206,91	700,53	9,074	5,4823
915,00	417,63	67,17	88,46	779,80	206,63	698,35	8,977	5,5829
916,00	417,21	66,67	88,11	777,88	206,38	697,65	9,074	5,4814
917,00	416,23	67,18	88,15	775,88	206,12	696,24	8,976	5,5322
918,00	415,17	67,31	88,02	772,92	205,83	693,71	8,977	5,5118
919,00	413,87	66,84	87,64	769,87	205,55	690,46	8,977	5,5524
920,00	413,52	66,77	87,81	768,14	205,27	688,52	8,976	5,6539
921,00	412,94	67,03	87,96	766,52	204,98	686,87	8,876	5,5524
922,00	410,63	67,00	88,02	766,49	204,65	686,11	8,876	5,5524
923,00	410,31	67,18	87,51	765,84	204,31	683,28	8,876	5,4814
924,00	409,94	66,97	87,75	765,52	204,02	681,51	8,876	5,5829
925,00	408,75	66,69	87,70	764,52	203,67	683,03	8,776	5,5524
926,00	407,32	66,87	87,57	766,19	203,34	682,69	8,855	5,5524
927,00	406,20	66,82	87,27	765,72	203,01	683,27	8,775	5,5829
928,00	406,24	67,07	87,39	764,42	202,68	681,18	8,776	5,5524
929,00	405,04	66,38	87,03	764,35	202,34	680,43	8,776	5,5524
930,00	404,88	66,43	86,82	764,03	201,98	680,84	8,765	5,5829
931,00	404,24	66,49	86,99	762,46	201,69	679,71	8,675	5,5118

932,00	403,87	66,41	86,74	762,16	201,38	678,32	8,675	5,5957
933,00	402,55	66,53	86,68	763,39	201,06	676,49	8,675	5,5829
934,00	402,24	66,36	86,91	761,57	200,77	676,75	8,675	5,5829
935,00	402,21	66,76	86,66	761,44	200,46	675,97	8,574	5,5829
936,00	400,86	66,66	86,78	761,90	200,15	676,59	8,575	5,5118
937,00	400,16	66,59	86,86	759,43	199,90	674,50	8,574	5,5829
938,00	400,24	66,57	86,87	758,89	199,63	674,86	8,574	5,5524
939,00	399,51	66,79	86,35	756,79	199,39	673,25	8,575	5,6539
940,00	398,88	66,74	86,10	756,46	199,11	672,54	8,575	5,5119
941,00	398,28	66,96	86,44	754,05	198,80	672,47	8,474	5,5829
942,00	397,75	66,68	86,34	753,58	198,58	668,66	8,474	5,5322
943,00	397,21	66,93	86,49	755,47	198,33	668,10	8,474	5,6031
944,00	396,26	66,89	86,68	755,08	198,06	664,44	8,474	5,5524
945,00	395,18	66,91	86,44	753,93	197,86	663,21	8,474	5,5524
946,00	394,47	66,72	86,25	751,36	197,66	664,11	8,373	5,5829
947,00	394,71	66,45	86,64	750,26	197,48	661,58	8,373	5,6031
948,00	393,85	66,57	86,50	751,08	197,25	662,04	8,374	5,5524
949,00	393,57	66,94	86,28	750,92	197,04	665,21	8,277	5,5829
950,00	393,10	66,79	86,23	751,43	196,83	664,07	8,276	5,5524
951,00	393,63	66,60	86,21	749,66	196,62	662,26	8,276	5,5524
952,00	393,09	66,69	86,09	748,80	196,40	661,27	8,276	5,5829
953,00	392,27	66,47	86,07	747,87	196,20	661,69	8,276	5,5322
954,00	391,56	66,61	86,19	746,06	195,99	661,18	8,276	5,6336
955,00	390,36	66,53	86,01	743,82	195,82	658,63	8,274	5,6031
956,00	391,06	66,52	85,82	742,60	195,64	656,30	8,176	5,5524
957,00	389,78	66,46	85,76	739,18	195,42	654,85	8,176	5,5806
958,00	389,31	66,65	85,94	736,69	195,24	653,15	8,176	5,4105
959,00	388,67	66,58	85,75	735,71	195,03	652,83	8,176	5,5524
960,00	387,47	66,65	85,66	734,78	194,82	650,87	8,176	5,6031
961,00	387,00	66,60	85,58	734,51	194,58	651,80	8,075	5,6031
962,00	385,61	66,83	85,65	734,09	194,38	652,08	8,075	5,7046
963,00	385,41	66,33	85,40	733,82	194,14	652,09	8,075	5,5524
964,00	385,82	66,93	85,20	732,42	193,89	651,90	8,075	5,5829
965,00	385,25	66,59	85,30	730,74	193,69	653,51	7,975	5,5322
966,00	384,76	66,85	85,49	730,73	193,49	653,10	7,975	5,7046
967,00	384,21	66,71	85,72	728,65	193,25	654,20	7,975	5,5829
968,00	383,79	67,06	85,82	729,07	193,02	652,76	7,975	5,5813
969,00	382,49	66,99	85,20	729,60	192,81	653,52	7,939	5,6336
970,00	383,89	67,17	85,50	727,60	192,58	653,68	7,975	5,5829
971,00	383,29	66,46	85,58	728,51	192,40	654,10	7,874	5,5829
972,00	382,20	66,71	85,41	726,63	192,26	652,94	7,874	5,4612
973,00	381,75	66,97	85,39	725,39	192,10	653,19	7,874	5,6031
974,00	381,62	66,60	85,33	725,71	191,94	651,78	7,874	5,5414
975,00	381,49	66,40	85,29	723,79	191,81	648,51	7,774	5,6336
976,00	381,65	66,70	85,06	727,33	191,63	644,72	7,774	5,6031
977,00	380,60	66,46	85,46	728,70	191,51	644,79	7,774	5,5829
978,00	380,00	66,43	85,01	729,14	191,36	645,18	7,774	5,6336
979,00	380,14	66,58	85,24	728,19	191,23	645,26	7,774	5,5525
980,00	380,30	66,65	84,92	728,08	191,07	645,29	7,673	5,5502
981,00	379,26	67,08	84,84	726,73	190,91	644,61	7,673	5,5829
982,00	378,28	66,70	84,85	726,22	190,73	643,46	7,673	5,5524
983,00	378,15	66,70	84,87	725,07	190,59	642,55	7,673	5,4612
984,00	377,71	66,44	84,58	724,24	190,44	641,84	7,673	5,5321
985,00	377,81	66,70	84,87	723,98	190,27	642,09	7,576	5,6031
986,00	376,96	66,49	84,75	723,85	190,07	641,73	7,576	5,6031
987,00	377,08	66,75	84,59	720,96	189,95	641,28	7,576	5,5524
988,00	377,30	66,58	84,93	720,18	189,76	640,50	7,576	5,5829
989,00	376,49	66,51	84,90	719,33	189,60	639,25	7,476	5,5829
990,00	375,57	66,46	84,40	716,42	189,43	639,75	7,530	5,7046
991,00	375,12	66,24	84,81	716,40	189,29	639,18	7,475	5,5829
992,00	374,93	66,40	84,47	716,12	189,17	638,10	7,475	5,5829
993,00	375,26	66,45	84,60	716,28	189,04	638,46	7,476	5,5846
994,00	373,96	66,87	84,50	715,22	188,91	638,78	7,475	5,5524
995,00	373,93	66,50	84,64	715,03	188,76	638,53	7,375	5,5118
996,00	373,08	66,90	84,37	716,35	188,60	637,59	7,375	5,5829
997,00	373,40	66,71	84,43	715,83	188,50	637,51	7,375	5,5829
998,00	373,08	66,92	84,69	714,65	188,35	637,11	7,305	5,5322
999,00	372,43	66,68	84,49	713,06	188,25	638,58	7,275	5,5685
1000,00	372,12	66,57	84,21	714,07	188,18	636,98	7,274	5,6336
1001,00	372,15	66,82	84,26	714,41	188,12	637,37	7,275	5,5524
1002,00	372,68	66,70	84,52	714,24	188,06	637,68	7,275	5,5829
1003,00	371,90	66,38	84,07	713,43	187,96	637,92	7,274	5,4814

1004,00	370,35	66,68	84,57	713,43	187,91	637,25	7,272	5,5524
1005,00	371,28	66,48	84,19	712,88	187,76	637,28	7,174	5,5584
1006,00	371,38	66,69	84,31	711,13	187,67	635,03	7,174	5,6538
1007,00	371,49	66,62	84,23	712,16	187,60	636,37	7,174	5,5524
1008,00	370,83	66,66	84,37	713,12	187,49	636,19	7,073	5,5321
1009,00	370,31	66,44	83,89	713,65	187,43	635,40	7,073	5,5524
1010,00	370,00	66,49	84,37	713,39	187,37	635,32	7,074	5,5321
1011,00	369,50	66,38	84,05	712,19	187,34	634,49	7,073	5,5829
1012,00	369,35	66,48	84,23	711,89	187,30	634,58	7,073	5,5829
1013,00	369,48	66,69	84,12	711,14	187,23	634,17	7,073	5,5524
1014,00	369,60	66,70	84,05	711,43	187,20	633,82	6,973	5,5829
1015,00	369,19	66,35	83,80	710,81	187,17	634,20	6,973	5,5118
1016,00	369,08	66,27	84,11	710,12	187,10	634,08	6,973	5,5524
1017,00	369,13	66,48	83,91	708,89	187,10	633,08	6,973	5,6539
1018,00	368,86	66,58	83,98	708,99	187,09	632,11	6,903	5,5829
1019,00	368,85	66,50	83,93	708,25	187,05	632,44	6,919	5,5829
1020,00	368,24	66,30	84,06	708,50	187,03	632,38	6,876	5,5524
1021,00	367,75	66,36	84,12	707,05	186,99	632,69	6,876	5,6031
1022,00	368,40	66,75	83,72	706,02	186,97	631,29	6,876	5,6031
1023,00	367,95	66,64	84,22	706,13	186,93	633,15	6,876	5,4105
1024,00	367,72	66,97	83,84	706,96	186,86	631,99	6,824	5,5753
1025,00	367,93	66,93	83,78	706,82	186,81	631,00	6,775	5,5828
1026,00	367,86	67,18	84,04	705,46	186,77	631,41	6,775	5,6031
1027,00	368,14	66,67	84,33	704,22	186,73	630,86	6,775	5,5829
1028,00	366,15	66,76	83,96	703,70	186,71	630,32	6,775	5,6031
1029,00	367,49	66,80	83,86	704,38	186,73	629,25	6,675	5,6336
1030,00	367,19	66,40	83,86	703,46	186,76	629,23	6,675	5,6031
1031,00	367,23	66,45	84,05	702,32	186,76	628,45	6,675	5,5524
1032,00	366,85	66,45	84,32	702,18	186,72	628,52	6,675	5,6031
1033,00	366,77	66,51	83,82	701,33	186,72	630,64	6,675	5,5829
1034,00	366,11	66,50	84,10	702,56	186,71	633,54	6,574	5,5524
1035,00	366,24	66,41	83,92	702,35	186,66	634,32	6,574	5,5524
1036,00	366,28	66,44	83,93	702,18	186,68	633,02	6,574	5,5829
1037,00	366,55	66,40	83,55	705,21	186,70	639,07	6,574	5,5525
1038,00	366,90	66,75	83,65	710,58	186,66	640,68	6,574	5,6032
1039,00	366,86	66,42	83,63	712,23	186,66	642,17	6,474	5,5524
1040,00	367,55	66,30	83,52	712,98	186,67	642,17	6,474	5,6336
1041,00	368,14	66,41	83,43	713,19	186,67	640,80	6,474	5,6031
1042,00	368,54	66,42	83,52	714,75	186,65	639,83	6,474	5,6539
1043,00	367,82	66,52	83,66	714,28	186,65	636,76	6,458	5,7046
1044,00	367,36	66,30	83,87	713,99	186,64	636,88	6,373	5,5524
1045,00	367,94	66,33	83,64	713,86	186,64	636,39	6,396	5,5525
1046,00	367,96	66,53	83,52	713,24	186,64	635,19	6,373	5,5326
1047,00	367,97	66,45	83,39	713,23	186,63	633,45	6,373	5,5829
1048,00	368,28	66,29	83,59	712,37	186,64	634,06	6,373	5,5829
1049,00	368,09	66,42	83,75	711,40	186,64	632,55	6,273	5,7046
1050,00	367,50	66,54	84,42	711,06	186,59	631,76	6,273	5,5119
1051,00	365,82	66,99	83,78	710,14	186,52	629,90	6,273	5,5525
1052,00	366,08	67,07	83,69	709,57	186,45	630,02	6,273	5,6336
1053,00	367,62	66,98	84,03	707,76	186,40	629,12	6,273	5,5119
1054,00	366,23	66,54	83,89	707,04	186,33	629,29	6,273	5,5829
1055,00	366,28	66,47	83,80	705,47	186,30	627,14	6,175	5,5524
1056,00	365,49	66,97	83,76	704,83	186,28	627,07	6,175	5,5524
1057,00	365,50	66,41	83,73	703,47	186,26	623,50	6,175	5,6031
1058,00	366,21	66,48	83,52	702,29	186,24	622,23	6,175	5,5524
1059,00	364,41	66,48	83,55	700,96	186,22	620,39	6,175	5,5317
1060,00	364,15	66,40	83,59	699,64	186,18	620,65	6,075	5,5829
1061,00	364,22	66,49	83,72	699,07	186,11	619,09	6,167	5,4818
1062,00	363,40	66,48	83,67	698,18	186,05	618,14	6,075	5,6031
1063,00	363,34	66,43	83,46	696,81	186,01	615,56	6,075	5,6543
1064,00	362,91	66,40	83,34	695,93	185,91	615,37	6,075	5,6539
1065,00	362,64	66,46	83,64	694,58	185,81	616,45	6,024	5,5829
1066,00	361,92	66,41	83,28	693,56	185,72	616,41	6,027	5,5524
1067,00	362,16	66,27	83,36	692,26	185,63	614,07	6,075	5,5524
1068,00	362,35	66,28	83,54	692,39	185,54	614,07	5,974	5,6031
1069,00	361,83	66,16	83,33	691,55	185,39	612,95	5,974	5,5829
1070,00	360,94	66,34	83,37	689,33	185,24	612,18	5,974	5,5321
1071,00	361,04	66,12	83,50	687,63	185,12	612,72	5,975	5,5829
1072,00	360,59	66,23	83,27	686,76	185,00	611,16	5,974	5,5524
1073,00	359,53	66,31	83,08	684,78	184,87	608,12	5,874	5,6539
1074,00	359,44	66,46	83,42	683,14	184,69	606,45	5,875	5,5524
1075,00	358,94	66,39	83,01	680,83	184,54	603,65	5,874	5,5524

1076,00	359,18	66,69	83,58	680,10	184,35	602,45	5,874	5,6539
1077,00	358,31	66,63	82,70	679,09	184,18	602,17	5,874	5,6336
1078,00	357,05	66,95	83,55	677,87	183,95	602,68	5,874	5,5829
1079,00	357,12	66,86	83,26	677,19	183,81	601,76	5,773	5,6031
1080,00	357,14	66,88	83,53	675,37	183,62	601,09	5,773	5,6031
1081,00	355,81	66,63	83,16	674,35	183,42	599,02	5,773	5,6336
1082,00	355,59	66,45	83,18	672,88	183,30	597,75	5,773	5,6539
1083,00	355,71	66,62	83,09	672,07	183,16	597,16	5,773	5,5829
1084,00	355,44	66,34	83,25	671,01	183,04	595,80	5,774	5,5525
1085,00	354,39	66,70	83,32	669,86	182,94	595,32	5,673	5,5322
1086,00	353,92	66,47	82,72	669,13	182,76	594,99	5,673	5,6035
1087,00	353,19	66,62	82,87	668,25	182,60	600,68	5,673	5,3800
1088,00	352,39	66,34	82,80	666,17	182,44	601,59	5,673	5,5111
1089,00	352,44	66,31	82,80	665,18	182,30	601,47	5,673	5,7046
1090,00	353,14	66,40	82,75	663,46	182,15	600,07	5,673	5,6539
1091,00	352,01	66,22	82,64	661,98	182,01	597,97	5,578	5,5322
1092,00	352,02	66,42	82,92	660,24	181,86	597,70	5,572	5,5524
1093,00	352,10	66,22	82,67	667,92	181,70	601,46	5,572	5,5524
1094,00	350,23	66,40	82,83	670,78	181,60	602,07	5,572	5,5555
1095,00	351,18	66,64	82,90	670,36	181,44	600,83	5,572	5,5829
1096,00	349,89	66,33	82,48	668,02	181,27	602,26	5,572	5,5524
1097,00	350,51	66,30	82,64	665,54	181,09	601,21	5,475	5,6336
1098,00	350,35	66,38	82,86	664,20	180,91	600,17	5,475	5,5829
1099,00	349,09	66,14	82,70	663,75	180,77	599,90	5,475	5,6032
1100,00	349,52	66,30	82,27	663,39	180,62	597,59	5,475	5,6336
1101,00	348,84	66,56	83,36	661,73	180,46	598,19	5,475	5,5524
1102,00	349,34	66,77	82,24	660,25	180,28	598,72	5,475	5,6888
1103,00	348,53	66,77	83,13	658,95	180,08	599,17	5,475	5,5829
1104,00	347,77	66,72	82,69	655,62	179,96	598,80	5,375	5,6031
1105,00	347,13	66,86	82,93	653,01	179,77	599,26	5,375	5,5322
1106,00	346,17	66,78	82,58	651,51	179,61	598,04	5,375	5,5829
1107,00	346,79	66,59	82,38	650,38	179,44	596,97	5,375	5,5524
1108,00	346,73	66,60	82,67	648,73	179,31	595,18	5,375	5,5823
1109,00	345,63	66,39	82,38	647,77	179,16	595,89	5,375	5,5829
1110,00	346,17	66,71	82,54	647,13	179,03	594,55	5,309	5,5829
1111,00	345,40	66,24	82,60	646,16	178,91	593,67	5,274	5,5524
1112,00	344,92	66,20	82,62	645,32	178,80	592,69	5,361	5,6539
1113,00	344,58	66,50	82,45	643,63	178,66	591,99	5,274	5,5524
1114,00	344,69	66,26	82,55	642,22	178,53	590,73	5,274	5,6031
1115,00	345,01	66,22	82,30	641,63	178,43	589,59	5,274	5,5829
1116,00	344,24	66,21	82,21	640,19	178,32	588,82	5,274	5,5829
1117,00	343,78	66,44	81,89	638,88	178,18	586,18	5,274	5,5524
1118,00	343,48	66,55	82,06	636,39	178,02	585,43	5,174	5,6011
1119,00	342,51	66,41	82,09	635,90	177,87	583,60	5,174	5,5524
1120,00	342,63	66,40	81,85	634,02	177,72	581,54	5,174	5,5829
1121,00	342,14	66,56	82,25	633,15	177,54	581,56	5,174	5,6336
1122,00	341,28	66,42	82,02	636,60	177,38	581,25	5,174	5,6336
1123,00	341,25	66,66	81,86	636,73	177,25	578,77	5,174	5,5832
1124,00	340,04	66,18	81,83	636,33	177,08	578,71	5,073	5,6335
1125,00	339,73	66,44	82,12	636,10	176,93	576,49	5,073	5,5522
1126,00	338,91	66,48	82,94	635,30	176,76	576,18	5,073	5,5524
1127,00	338,44	66,58	81,57	634,55	176,57	575,42	5,073	5,7046
1128,00	337,81	66,75	82,24	633,24	176,34	573,90	5,073	5,6031
1129,00	338,17	66,75	82,08	633,65	176,20	571,96	5,073	5,6336
1130,00	338,46	66,80	82,32	632,50	176,04	570,80	5,073	5,6336
1131,00	337,90	66,38	82,20	632,03	175,91	570,52	4,973	5,5524
1132,00	337,75	66,75	82,01	632,29	175,77	570,92	4,997	5,6068
1133,00	337,25	66,27	81,78	631,15	175,64	569,55	4,973	5,6031
1134,00	336,23	66,50	82,02	631,48	175,54	568,15	5,067	5,5524
1135,00	335,75	66,10	81,64	629,54	175,39	567,16	4,973	5,4104
1136,00	335,75	66,29	81,83	628,95	175,25	567,33	4,973	5,6515
1137,00	335,34	66,31	81,63	629,54	175,12	568,78	4,973	5,4612
1138,00	335,46	66,03	81,72	628,69	174,98	567,78	4,972	5,5524
1139,00	335,38	66,22	81,77	629,35	174,88	567,05	4,872	5,5322
1140,00	334,59	66,38	81,86	630,60	174,73	568,63	4,872	5,5829
1141,00	334,52	66,16	81,76	632,13	174,61	568,07	4,872	5,6031
1142,00	334,22	66,22	81,55	633,41	174,48	566,86	4,872	5,58
1143,00	333,52	66,19	81,69	633,97	174,34	566,25	4,872	5,58
1144,00	333,72	66,21	81,52	641,33	174,21	568,38	4,872	5,60
1145,00	334,82	66,19	81,49	643,51	174,06	568,45	4,829	5,53
1146,00	334,92	66,07	81,42	643,72	173,93	568,30	4,775	5,63
1147,00	334,50	65,97	81,43	643,05	173,82	566,53	4,775	5,60

1148,00	333,53	65,94	81,55	640,97	173,74	565,31	4,775	5,53
1149,00	334,13	65,95	81,54	638,75	173,62	564,80	4,775	5,63
1150,00	333,87	66,42	81,20	637,77	173,50	562,39	4,775	5,55
1151,00	333,38	66,62	81,15	637,51	173,38	562,32	4,775	5,65
1152,00	334,33	66,63	81,70	636,20	173,19	561,98	4,775	5,58
1153,00	333,96	66,76	81,84	634,87	173,09	561,79	4,679	5,58
1154,00	333,09	66,76	81,83	634,07	172,97	560,83	4,674	5,63
1155,00	333,61	66,43	81,64	632,85	172,87	560,70	4,674	5,55
1156,00	333,16	66,32	81,67	632,64	172,79	558,30	4,674	5,53
1157,00	332,62	66,31	81,61	631,17	172,69	557,63	4,674	5,72
1158,00	331,73	66,45	81,76	628,34	172,63	555,33	4,674	5,60
1159,00	332,20	66,63	81,73	627,41	172,50	553,70	4,624	5,58
1160,00	331,34	66,17	81,40	624,39	172,43	551,46	4,628	5,58
1161,00	331,19	66,22	81,46	621,07	172,31	549,36	4,574	5,55
1162,00	330,56	66,38	81,41	619,20	172,24	547,52	4,574	5,60
1163,00	331,00	66,52	81,23	617,10	172,12	546,88	4,574	5,65
1164,00	330,65	66,14	81,30	615,53	172,03	546,74	4,574	5,55
1165,00	330,75	66,13	81,35	613,82	171,91	545,12	4,574	5,63
1166,00	329,82	66,10	81,05	612,86	171,80	544,53	4,574	5,58
1167,00	328,68	66,37	80,94	612,51	171,68	543,71	4,574	5,53
1168,00	329,80	66,15	81,43	612,25	171,58	542,65	4,473	5,58
1169,00	329,12	66,17	81,15	610,96	171,45	542,71	4,473	5,58
1170,00	328,71	66,45	81,10	611,46	171,31	541,08	4,473	5,61
1171,00	328,28	66,52	81,07	609,35	171,16	541,09	4,473	5,55
1172,00	327,58	65,95	81,09	608,61	171,03	539,81	4,473	5,55
1173,00	328,03	66,08	80,92	607,74	170,89	539,58	4,473	5,53
1174,00	328,32	66,25	80,99	608,01	170,76	540,22	4,411	5,72
1175,00	328,15	66,43	80,76	608,72	170,62	540,14	4,473	5,55
1176,00	327,73	66,43	80,93	608,52	170,41	538,87	4,373	5,55
1177,00	327,27	66,57	81,48	606,37	170,26	538,39	4,373	5,58
1178,00	326,54	66,69	81,18	605,55	170,14	537,68	4,373	5,70
1179,00	326,28	66,38	81,41	603,17	169,98	534,78	4,373	5,55
1180,00	326,17	66,22	80,89	604,81	169,89	534,59	4,373	5,58
1181,00	326,43	66,42	81,22	605,28	169,77	533,49	4,373	5,65
1182,00	326,16	66,21	80,93	611,17	169,68	534,10	4,272	5,55
1183,00	326,75	65,93	80,90	627,39	169,56	537,69	4,272	5,60
1184,00	327,30	66,01	81,07	628,99	169,43	537,70	4,272	5,41
1185,00	327,21	66,02	80,89	628,27	169,33	538,80	4,272	5,51
1186,00	326,71	66,10	80,79	625,86	169,22	537,03	4,272	5,60
1187,00	326,72	65,98	80,88	623,12	169,12	536,99	4,272	5,55
1188,00	325,31	65,96	80,82	621,52	169,01	536,33	4,272	5,60
1189,00	325,14	65,94	80,90	618,98	168,89	535,57	4,271	5,64
1190,00	325,13	65,86	80,61	615,48	168,77	534,96	4,272	5,58
1191,00	323,58	66,10	80,58	613,15	168,67	533,84	4,172	5,60
1192,00	323,11	66,00	80,62	612,31	168,54	534,04	4,172	5,58
1193,00	323,57	66,15	80,67	610,77	168,43	533,14	4,172	5,60
1194,00	323,74	66,31	80,49	609,47	168,27	532,53	4,172	5,58
1195,00	323,60	65,88	80,67	607,87	168,11	531,25	4,172	5,58
1196,00	322,24	65,89	80,71	605,21	167,95	530,10	4,172	5,55
1197,00	321,87	66,10	81,49	603,71	167,80	529,84	4,075	5,65
1198,00	322,02	66,35	80,43	602,82	167,57	528,87	4,172	5,65
1199,00	321,79	66,35	80,69	601,22	167,41	527,95	4,075	5,55
1200,00	321,66	66,32	80,78	599,61	167,23	525,82	4,075	5,58
1201,00	321,03	66,48	80,90	598,67	167,05	525,55	4,075	5,55
1202,00	320,37	66,30	80,85	597,47	166,88	525,68	4,075	5,55
1203,00	319,56	66,27	80,78	596,89	166,73	524,57	4,075	5,58
1204,00	318,59	66,18	80,72	595,55	166,57	523,00	4,075	5,60
1205,00	318,72	66,26	80,59	594,81	166,44	522,90	4,075	5,55
1206,00	318,11	66,37	80,65	592,54	166,31	521,87	4,075	5,63
1207,00	316,61	66,00	80,28	589,98	166,14	521,04	3,974	5,63
1208,00	316,89	66,28	80,31	588,27	166,00	520,13	3,974	5,63
1209,00	317,37	65,85	80,40	586,92	165,86	518,84	3,974	5,70
1210,00	316,49	65,93	80,12	584,88	165,70	516,09	3,974	5,55
1211,00	315,71	65,92	80,31	579,79	165,55	510,76	3,974	5,63
1212,00	316,03	65,73	80,10	577,00	165,39	507,74	3,974	5,58
1213,00	315,37	66,00	80,45	575,34	165,22	506,46	3,874	5,58
1214,00	315,37	66,03	80,29	572,85	165,02	504,90	3,974	5,63
1215,00	313,88	66,12	79,94	571,81	164,84	504,64	3,974	5,60
1216,00	313,60	66,04	80,24	569,32	164,66	502,96	3,874	5,58
1217,00	312,54	65,87	80,24	568,53	164,47	501,65	3,874	5,60
1218,00	311,78	66,09	80,01	567,86	164,29	500,88	3,874	5,58
1219,00	311,50	66,10	79,90	565,79	164,10	498,78	3,874	5,55

1220,00	311,15	66,20	79,47	564,36	163,90	496,80	3,874	5,55
1221,00	310,22	66,26	80,18	562,60	163,63	496,30	3,874	5,58
1222,00	309,46	66,28	80,40	562,79	163,45	495,35	3,874	5,60
1223,00	308,81	66,46	80,46	559,49	163,26	493,81	3,874	5,60
1224,00	308,14	65,94	80,41	557,28	163,10	493,20	3,773	5,63
1225,00	306,98	66,12	79,79	557,07	162,93	493,15	3,773	5,55
1226,00	306,96	66,10	80,13	560,62	162,76	493,38	3,773	5,58
1227,00	306,26	65,90	80,18	560,97	162,55	492,66	3,773	5,65
1228,00	306,46	65,78	79,68	557,69	162,38	491,13	3,773	5,63
1229,00	306,05	66,03	79,87	557,14	162,16	489,69	3,773	5,58
1230,00	305,33	65,97	79,72	554,85	161,95	489,44	3,773	5,48
1231,00	304,85	65,75	79,98	553,05	161,77	488,38	3,773	5,58
1232,00	303,89	65,95	79,72	552,57	161,60	488,26	3,773	5,58
1233,00	304,00	65,75	79,74	551,38	161,42	487,76	3,773	5,60
1234,00	302,59	65,95	79,27	552,41	161,21	486,54	3,673	5,60
1235,00	301,61	65,94	79,47	553,53	161,05	486,04	3,673	5,65
1236,00	301,76	65,80	79,37	552,97	160,85	485,35	3,673	5,55
1237,00	302,75	65,70	79,62	551,54	160,70	484,84	3,673	5,60
1238,00	301,92	65,87	79,39	550,20	160,47	484,22	3,673	5,70
1239,00	300,98	65,63	79,47	549,63	160,26	483,82	3,673	5,58
1240,00	300,92	65,85	79,28	548,69	160,09	482,36	3,673	5,63
1241,00	300,41	66,00	80,36	548,31	159,87	482,58	3,673	5,73
1242,00	300,00	66,17	78,78	545,53	159,63	480,19	3,673	5,58
1243,00	299,02	66,25	79,29	545,62	159,41	480,30	3,673	5,58
1244,00	298,46	66,38	79,45	545,15	159,21	479,35	3,572	5,60
1245,00	297,93	66,12	79,59	544,61	159,05	479,11	3,572	5,55
1246,00	297,60	66,13	79,36	543,88	158,86	477,37	3,572	5,70
1247,00	297,79	66,31	79,22	542,22	158,68	476,27	3,572	5,65
1248,00	296,40	66,03	79,38	540,93	158,50	474,92	3,572	5,65
1249,00	296,45	66,18	79,28	538,45	158,30	473,44	3,572	5,65
1250,00	296,38	65,99	79,12	537,62	158,15	472,71	3,572	5,55
1251,00	295,16	65,87	79,20	534,47	157,98	471,53	3,572	5,65
1252,00	294,68	65,81	79,24	532,54	157,80	471,51	3,570	5,63
1253,00	293,72	65,82	78,95	532,28	157,59	470,80	3,472	5,63
1254,00	293,07	65,91	79,42	532,42	157,41	470,18	3,472	5,53
1255,00	292,69	65,65	79,22	531,43	157,22	469,21	3,572	5,58
1256,00	292,58	65,68	79,03	531,49	157,03	468,60	3,472	5,53
1257,00	292,62	65,93	79,05	530,30	156,86	468,01	3,472	5,53
1258,00	290,58	65,78	78,85	529,49	156,62	464,81	3,472	5,65
1259,00	290,93	65,84	79,04	523,69	156,42	461,29	3,472	5,55
1260,00	290,95	65,86	78,73	520,60	156,23	458,63	3,472	5,58
1261,00	289,62	65,70	78,65	518,52	156,04	457,05	3,472	5,55
1262,00	289,09	65,79	78,59	517,43	155,77	455,08	3,472	5,58
1263,00	288,18	66,18	78,60	516,37	155,55	453,10	3,472	5,51
1264,00	287,28	66,11	78,37	515,20	155,28	452,61	3,472	5,61
1265,00	287,23	66,07	78,84	513,89	155,07	451,07	3,374	5,55
1266,00	285,79	66,19	78,66	512,28	154,86	449,40	3,378	5,55
1267,00	284,86	65,88	78,59	511,38	154,66	448,22	3,374	5,63
1268,00	285,19	66,03	78,60	509,77	154,43	446,47	3,472	5,60
1269,00	284,47	65,98	78,57	508,08	154,20	444,97	3,374	5,65
1270,00	283,02	65,87	78,52	506,69	153,97	443,93	3,374	5,72
1271,00	282,72	65,92	78,67	505,06	153,73	442,38	3,374	5,58
1272,00	281,95	65,87	78,44	503,94	153,48	440,97	3,374	5,55
1273,00	281,36	65,81	78,40	502,96	153,20	439,60	3,374	5,60
1274,00	281,21	65,87	78,17	501,46	152,97	439,13	3,374	5,58
1275,00	280,18	65,65	77,84	498,99	152,67	438,22	3,374	5,63
1276,00	279,28	65,72	78,04	497,52	152,42	436,37	3,374	5,58
1277,00	279,00	65,60	78,02	496,65	152,19	434,49	3,374	5,63
1278,00	277,57	65,64	77,99	495,04	151,89	433,50	3,374	5,58
1279,00	277,16	65,56	77,70	492,35	151,64	432,26	3,274	5,72
1280,00	276,71	65,55	77,58	489,35	151,34	430,71	3,274	5,70
1281,00	274,90	65,60	77,86	487,65	151,04	428,53	3,274	5,58
1282,00	274,70	65,77	77,96	486,45	150,78	427,32	3,274	5,60
1283,00	273,28	65,75	78,60	484,54	150,50	426,23	3,274	5,72
1284,00	272,86	65,95	76,92	482,91	150,19	424,08	3,274	5,70
1285,00	272,91	65,99	77,87	481,09	149,85	423,01	3,274	5,65
1286,00	271,78	66,10	77,93	478,90	149,57	421,12	3,274	5,63
1287,00	271,23	65,84	78,02	476,70	149,31	419,39	3,274	5,65
1288,00	269,78	65,98	77,64	474,78	148,99	417,75	3,274	5,70
1289,00	269,23	65,92	77,81	473,40	148,72	416,11	3,274	5,58
1290,00	268,69	65,90	77,41	471,75	148,44	414,28	3,274	5,55
1291,00	267,75	65,75	77,58	469,93	148,12	412,16	3,274	5,66

1292,00	267,09	65,71	77,36	468,13	147,82	411,04	3,274	5,60
1293,00	266,18	65,71	77,50	466,54	147,52	409,96	3,173	5,60
1294,00	264,98	65,86	77,18	464,83	147,21	407,82	3,230	5,58
1295,00	264,25	65,81	77,36	462,90	146,87	406,75	3,274	5,71
1296,00	263,41	65,74	77,21	461,59	146,56	405,23	3,173	5,65
1297,00	262,45	65,76	77,11	460,17	146,25	403,20	3,173	5,63
1298,00	262,15	65,78	77,07	458,05	145,94	400,63	3,173	5,60
1299,00	260,31	65,79	76,82	457,08	145,63	399,50	3,173	5,63
1300,00	258,11	65,61	76,86	455,97	145,28	398,47	3,173	5,60
1301,00	257,90	65,53	76,97	455,15	144,96	397,42	3,173	5,70
1302,00	257,24	65,61	76,97	455,90	144,64	396,09	3,173	5,60
1303,00	256,75	65,59	76,83	449,87	144,36	394,74	3,173	5,58
1304,00	256,00	65,85	76,56	450,38	144,03	394,10	3,173	5,58
1305,00	255,77	65,84	76,76	450,23	143,68	392,74	3,173	5,60
1306,00	255,11	65,83	77,01	449,51	143,40	391,44	3,173	5,70
1307,00	254,04	65,81	76,86	448,85	143,09	390,54	3,173	5,58
1308,00	253,46	65,77	76,89	447,79	142,85	389,19	3,173	5,60
1309,00	252,96	65,76	76,59	446,66	142,53	387,50	3,173	5,60
1310,00	252,58	65,94	76,55	446,07	142,26	386,33	3,173	5,70
1311,00	251,85	65,68	76,38	444,89	141,98	385,04	3,173	5,65
1312,00	250,50	65,68	76,45	443,46	141,68	384,11	3,173	5,55
1313,00	250,23	65,66	76,40	442,36	141,36	381,27	3,173	5,70
1314,00	249,62	65,73	76,20	439,99	141,04	378,93	3,173	5,72
1315,00	248,63	65,70	76,15	431,11	140,71	375,74	3,173	5,70
1316,00	248,07	65,67	76,30	406,73	140,39	372,63	3,173	5,65
1317,00	247,41	65,71	75,95	406,21	140,07	369,94	3,073	5,60
1318,00	245,60	65,73	76,01	418,14	139,75	367,33	3,073	5,55
1319,00	244,51	65,74	75,93	421,25	139,46	365,94	3,073	5,63
1320,00	242,71	65,74	75,65	421,43	139,11	364,15	3,073	5,63
1321,00	241,16	65,66	75,81	420,96	138,80	362,80	3,073	5,63
1322,00	238,78	65,66	75,68	419,95	138,49	362,52	3,073	5,70
1323,00	237,45	65,60	75,76	419,21	138,18	361,45	3,073	5,78
1324,00	236,57	65,77	75,33	419,19	137,85	360,20	3,073	5,70
1325,00	235,58	65,77	75,82	418,01	137,51	358,99	3,073	5,63
1326,00	234,89	65,81	75,74	417,53	137,23	358,85	3,073	5,58
1327,00	233,79	65,74	75,59	417,39	136,93	358,00	3,073	5,60
1328,00	232,95	65,70	75,41	416,02	136,67	354,63	3,073	5,63
1329,00	231,99	65,67	75,36	410,32	136,36	351,98	3,073	5,60
1330,00	230,34	65,75	75,64	404,43	136,06	349,10	3,072	5,60
1331,00	229,61	65,59	75,59	386,17	135,73	346,19	3,073	5,70
1332,00	228,78	65,67	75,47	364,39	135,39	342,70	3,073	5,58
1333,00	227,59	65,60	75,06	354,10	135,03	339,63	3,073	5,70
1334,00	226,13	65,60	75,01	347,50	134,69	337,37	3,073	5,65
1335,00	224,38	65,57	74,83	342,82	134,34	335,44	3,073	5,58
1336,00	222,23	65,56	74,99	338,34	133,98	333,14	3,073	5,60
1337,00	220,73	65,47	74,62	334,66	133,62	331,48	3,073	5,63
1338,00	219,34	65,42	74,82	331,00	133,29	329,69	3,073	5,60
1339,00	217,71	65,43	74,40	328,24	132,91	328,07	3,073	5,60
1340,00	218,33	65,48	78,61	321,77	132,57	314,73	3,173	5,72
1341,00	205,97	65,93	101,53	219,82	133,37	226,50	2,734	5,58
1342,00	191,68	66,10	100,68	203,73	134,80	182,95	0,972	5,60
1343,00	181,01	66,34	98,19	196,74	135,40	157,92	6,044	5,60
1344,00	174,20	66,69	97,17	190,42	135,07	147,42	1,371	5,58
1345,00	168,87	66,63	95,89	182,74	134,42	142,72	0,974	5,51
1346,00	163,03	66,79	94,18	177,62	133,53	137,81	1,073	5,70
1347,00	158,82	66,75	92,89	172,03	132,50	136,05	1,072	5,70
1348,00	154,61	65,71	91,54	169,81	131,27	132,69	0,981	5,72
1349,00	151,11	66,03	90,38	163,81	130,07	130,24	1,073	5,72
1350,00	148,10	66,02	89,42	159,24	128,77	129,94	1,073	5,72
1351,00	145,50	66,09	88,61	155,58	127,45	129,43	1,073	5,58
1352,00	142,72	66,27	87,63	154,71	126,13	126,11	1,073	5,70
1353,00	139,86	66,34	86,55	152,86	124,71	123,67	1,073	5,70
1354,00	137,23	66,42	85,60	149,39	123,37	121,58	1,073	5,78
1355,00	134,96	66,44	84,94	147,32	121,98	119,66	1,073	5,78
1356,00	133,04	66,29	84,48	145,52	120,53	119,59	0,972	5,78

Temps
acquisition
de données
min

Flue	Room	Tunnel	Catalyst down	Catalyst up	scale
temp	temp	dry bulb			
°F	°F	°F	°F	°F	lbs

1357,00	102,90	63,29	79,42	192,98	150,07	7,2745
1358,00	199,01	63,45	118,07	284,05	233,66	6,9729
1359,00	207,68	63,39	86,60	289,83	399,80	6,8733
1360,00	234,06	63,17	84,54	408,18	625,74	6,6747
1361,00	262,98	63,24	86,68	460,58	715,06	6,4738
1362,00	303,65	63,27	91,05	519,20	887,70	6,2727
1363,00	376,15	63,35	153,93	510,96	674,36	7,1841
1364,00	402,81	63,49	122,99	533,79	733,92	5,7734
1365,00	405,48	63,51	111,83	601,09	751,42	5,5724
1366,00	421,99	63,43	112,14	631,18	730,08	5,3748
1367,00	426,07	63,52	111,22	648,66	711,89	5,1737
1368,00	427,12	63,55	106,37	704,91	654,21	4,9728
1369,00	423,20	63,52	105,40	650,94	609,39	4,8723
1370,00	419,17	63,60	104,83	633,64	580,97	4,7750
1371,00	418,35	63,50	105,04	633,32	568,77	4,6745
1372,00	421,03	63,56	106,75	644,99	582,40	4,5403
1373,00	427,74	63,87	107,89	668,22	604,23	4,4735
1374,00	432,15	64,02	107,69	672,50	605,75	4,2725
1375,00	436,98	64,24	109,02	719,55	697,25	4,1719
1376,00	454,83	64,40	110,74	783,46	783,43	4,0745
1377,00	471,71	64,40	112,58	822,43	836,19	3,8738
1378,00	485,89	64,40	84,25	824,68	818,22	3,7477
1379,00	490,85	64,53	72,56	810,94	787,25	3,5806
1380,00	492,52	64,45	91,54	800,92	776,79	3,4718
1381,00	493,26	64,54	117,81	793,84	764,26	3,3746
1382,00	494,31	64,91	119,72	789,94	754,62	3,2740
1383,00	500,24	64,83	121,46	819,43	846,02	3,0889
1384,00	489,03	64,93	147,70	657,98	745,40	2,9725
1385,00	498,56	64,92	125,10	798,44	810,43	2,8720
1386,00	509,89	64,88	124,31	819,95	829,26	2,6744
1387,00	515,92	64,86	124,32	818,55	825,55	2,5738
1388,00	519,23	64,76	124,39	817,31	815,42	2,4639
1389,00	522,17	64,90	124,68	815,55	814,49	2,2723
1390,00	523,60	64,80	125,41	815,01	807,24	2,1718
1391,00	525,78	65,07	126,55	821,13	814,77	2,0714
1392,00	527,87	65,42	126,58	821,45	817,28	1,9741
1393,00	531,07	65,12	127,45	833,68	845,03	1,8736
1394,00	536,04	65,31	128,29	849,26	872,77	1,6727
1395,00	543,93	65,30	128,94	877,53	886,04	1,5722
1396,00	554,66	65,21	130,49	884,54	930,75	1,4637
1397,00	564,08	65,11	131,03	894,07	946,37	1,2739
1398,00	571,67	65,22	165,34	841,24	827,49	3,2958
1399,00	458,48	65,02	289,41	370,27	436,37	9,2896
1400,00	377,47	65,02	264,59	296,69	296,68	15,3753
1401,00	369,80	64,95	263,03	286,30	297,45	15,1791
1402,00	361,77	65,01	258,25	288,23	276,67	14,9779
1403,00	417,81	64,95	271,37	322,07	380,86	14,4787
1404,00	478,24	64,89	166,67	647,46	814,90	14,1772
1405,00	547,32	64,89	150,18	1163,63	1113,94	13,8755
1406,00	612,93	64,85	148,47	1185,98	1224,89	13,5774

1407,00	648,22	64,82	149,38	1201,89	1261,60	13,2758
1408,00	674,53	64,78	150,89	1221,13	1275,89	12,8772
1409,00	700,36	64,88	153,25	1325,02	1333,67	12,5753
1410,00	720,53	64,69	154,41	1308,12	1342,92	12,2766
1411,00	708,58	64,70	138,33	1253,86	1344,90	11,9565
1412,00	670,74	64,94	120,71	1293,51	955,95	11,6772
1413,00	654,70	64,78	116,64	1235,71	839,37	11,5770
1414,00	644,48	64,62	114,73	1204,78	797,98	11,4762
1415,00	638,23	64,93	113,64	1194,84	781,07	11,2754
1416,00	634,09	65,07	112,02	1202,60	791,53	11,1747
1417,00	631,13	65,23	110,81	1189,47	819,15	11,0776
1418,00	623,29	65,51	110,24	1131,06	796,92	10,8767
1419,00	615,55	65,80	109,37	1075,19	784,39	10,7760
1420,00	607,88	65,74	108,35	1040,91	778,17	10,6754
1421,00	599,36	65,78	107,98	1028,36	777,23	10,5750
1422,00	593,53	65,78	107,01	1017,66	786,55	10,4744
1423,00	588,69	65,86	107,05	1023,30	817,82	10,3601
1424,00	587,25	65,84	108,11	1066,67	858,65	10,1763
1425,00	590,20	65,87	108,99	1134,61	896,59	10,0757
1426,00	594,28	65,87	109,21	1170,46	938,03	9,8747
1427,00	598,86	65,64	109,02	1172,04	981,63	9,7744
1428,00	601,07	65,54	108,45	1174,38	1017,62	9,6769
1429,00	601,78	65,88	107,91	1163,04	1020,17	9,5740
1430,00	605,26	65,63	108,57	1176,71	1099,79	9,3755
1431,00	606,23	65,66	108,19	1175,28	1047,69	9,2120
1432,00	608,62	65,89	107,62	1180,04	1091,24	9,0740
1433,00	609,80	66,07	107,62	1184,45	1058,03	8,9768
1434,00	613,05	65,70	107,19	1183,59	1093,29	8,7758
1435,00	615,06	66,60	107,61	1178,43	1127,76	8,6752
1436,00	618,06	65,81	108,11	1180,26	1143,60	8,5741
1437,00	620,54	66,47	108,43	1173,17	1122,41	8,3735
1438,00	621,60	66,28	108,23	1175,71	1139,40	8,2222
1439,00	623,06	66,20	107,73	1180,93	1188,31	8,0753
1440,00	623,76	66,17	107,98	1172,66	1223,25	7,9747
1441,00	623,89	66,08	107,45	1171,40	1181,04	7,8743
1442,00	625,37	66,21	108,03	1170,39	1178,28	7,7738
1443,00	628,03	66,19	107,96	1169,91	1158,92	7,4769
1444,00	629,22	66,37	107,82	1164,07	1194,93	7,4684
1445,00	632,12	66,24	108,11	1220,49	1293,78	7,2746
1446,00	634,59	66,53	107,39	1193,52	1360,73	7,1741
1447,00	632,39	66,15	106,05	1189,84	1334,29	7,0737
1448,00	630,73	66,32	107,36	1178,45	1356,29	6,8759
1449,00	629,95	66,43	107,78	1184,40	1310,06	6,7753
1450,00	627,85	66,37	106,98	1174,76	1328,12	6,6749
1451,00	626,12	66,84	106,46	1160,08	1226,81	6,5744
1452,00	624,46	66,83	106,69	1132,61	1204,17	6,4738
1453,00	622,20	66,77	106,36	1115,86	1146,25	6,3734
1454,00	620,23	66,65	105,90	1118,32	1132,14	6,2728
1455,00	620,00	66,83	107,19	1130,00	1120,81	6,1756
1456,00	618,72	66,70	106,57	1127,17	1148,74	6,0750
1457,00	617,25	66,69	105,90	1142,63	1157,25	5,9655
1458,00	617,80	67,16	105,66	1130,03	1154,56	5,7971
1459,00	617,20	67,10	104,37	1142,61	1204,19	5,6731
1460,00	616,09	66,69	105,47	1146,52	1087,06	5,6731
1461,00	616,75	67,54	105,75	1149,91	1136,13	5,4754

1462,00	616,72	66,96	105,62	1142,65	1132,07	5,3750
1463,00	616,37	66,67	106,31	1131,14	1111,35	5,3615
1464,00	616,24	67,33	106,37	1134,32	1104,02	5,1739
1465,00	617,22	67,00	106,58	1141,19	1163,72	5,0733
1466,00	616,03	66,89	105,85	1142,83	1076,64	4,9728
1467,00	613,79	66,98	105,31	1144,68	1056,21	4,9729
1468,00	613,40	66,95	105,47	1152,63	1050,21	4,7752
1469,00	612,90	66,77	105,07	1145,18	1062,20	4,7662
1470,00	610,55	67,41	104,59	1122,73	1066,55	4,6746
1471,00	609,08	66,86	103,91	1103,17	1065,23	4,5741
1472,00	606,32	67,20	104,09	1093,02	1075,02	4,4737
1473,00	603,56	66,88	104,06	1072,02	1044,93	4,3732
1474,00	599,66	67,19	103,63	1053,83	1011,06	4,2727
1475,00	595,77	67,16	103,33	1042,55	996,51	4,2727
1476,00	591,97	67,65	103,14	1034,04	980,52	4,1722
1477,00	588,47	67,14	103,33	1033,37	952,34	4,0749
1478,00	584,31	67,70	103,26	1034,67	929,84	4,0749
1479,00	580,73	67,68	102,34	1030,89	915,82	3,9745
1480,00	576,51	67,42	102,32	1028,96	897,45	3,9744
1481,00	573,47	67,16	102,12	1028,50	888,53	3,8739
1482,00	569,96	67,40	101,53	1023,36	876,31	3,8740
1483,00	566,83	67,27	101,13	1013,53	865,18	3,6741
1484,00	544,05	67,01	314,98	528,10	553,54	29,7678
1485,00	509,48	66,99	306,53	765,02	602,56	17,4784
1486,00	578,24	66,65	282,59	787,06	634,42	17,1789
1487,00	635,96	66,77	229,33	876,79	936,94	16,6773
1488,00	632,99	66,51	156,07	1058,27	966,25	16,4793
1489,00	634,02	66,09	141,16	1076,73	1011,53	16,3785
1490,00	577,97	66,33	111,87	1103,21	922,22	16,1781
1491,00	558,83	66,42	104,31	1077,31	827,59	16,0776
1492,00	547,81	66,48	101,76	1041,23	777,03	15,9768
1493,00	539,55	66,43	99,83	1011,35	746,11	15,9771
1494,00	532,88	66,24	97,83	984,16	720,58	15,8798
1495,00	526,03	66,27	96,69	960,30	701,13	15,7789
1496,00	520,61	66,26	96,15	945,66	689,48	15,7792
1497,00	514,84	66,27	94,23	938,65	682,19	15,6786
1498,00	509,80	66,10	94,57	937,48	677,43	15,6786
1499,00	504,48	66,64	92,63	935,69	678,87	15,5780
1500,00	499,81	66,48	91,64	935,90	682,80	15,5766
1501,00	494,61	66,46	91,82	940,97	686,68	15,4774
1502,00	490,27	66,67	90,93	946,98	689,16	15,3772
1503,00	485,32	66,50	90,90	954,43	692,88	15,3627
1504,00	481,22	66,51	90,32	959,14	696,60	15,2767
1505,00	477,44	66,66	90,14	963,72	700,75	15,1793
1506,00	474,59	66,68	89,25	968,32	706,25	15,0789
1507,00	470,50	67,22	89,43	972,84	709,06	14,9885
1508,00	467,00	66,88	89,57	978,01	713,47	14,9782
1509,00	464,03	67,01	89,32	969,92	717,78	14,8956
1510,00	460,72	67,10	89,03	979,14	724,71	14,8775
1511,00	458,02	67,03	88,37	989,89	734,66	14,7773
1512,00	455,18	66,87	87,95	993,73	743,54	14,6766
1513,00	453,52	66,88	88,12	986,85	762,29	14,5763
1514,00	452,04	67,01	88,20	1037,08	815,90	14,4790
1515,00	451,78	66,71	88,26	1076,62	869,86	14,3784
1516,00	451,01	67,01	88,25	1080,37	873,18	14,2777

1517,00	451,58	66,98	87,52	1083,96	877,69	14,1775
1518,00	451,86	67,09	87,41	1091,28	878,29	14,0766
1519,00	451,96	67,00	86,77	1103,88	895,54	13,9762
1520,00	451,53	66,92	86,59	1111,68	898,12	13,8759
1521,00	452,26	67,03	86,44	1114,85	907,22	13,7782
1522,00	451,78	67,37	86,67	1117,12	904,98	13,6780
1523,00	452,61	67,10	86,38	1119,52	903,47	13,5774
1524,00	451,91	66,82	86,71	1112,02	886,80	13,4770
1525,00	452,46	67,04	86,43	1104,31	877,10	13,3765
1526,00	451,77	67,08	86,19	1101,57	873,93	13,3381
1527,00	451,32	66,87	85,84	1103,65	882,20	13,2758
1528,00	451,81	67,15	85,72	1104,54	887,93	13,1755
1529,00	451,61	67,09	85,15	1106,65	894,50	13,0782
1530,00	452,02	66,84	85,10	1102,79	902,95	12,9774
1531,00	452,15	66,96	85,39	1105,73	907,56	12,8770
1532,00	452,06	66,92	84,64	1110,36	906,65	12,7766
1533,00	451,62	66,55	84,41	1108,49	901,78	12,6761
1534,00	451,81	66,69	84,96	1102,52	895,56	12,5755
1535,00	451,96	67,01	84,25	1099,78	892,92	12,5699
1536,00	451,96	66,89	84,51	1099,57	893,31	12,3777
1537,00	451,16	67,02	84,89	1100,67	899,60	12,3779
1538,00	451,74	67,06	85,06	1101,35	904,99	12,2774
1539,00	451,51	66,82	85,31	1107,36	913,99	12,1766
1540,00	451,06	66,74	85,03	1110,12	921,47	12,0762
1541,00	452,07	66,85	84,70	1112,91	926,24	11,9756
1542,00	451,42	66,73	84,61	1111,04	940,88	11,8750
1543,00	452,57	66,70	84,48	1109,12	942,86	11,7778
1544,00	453,51	66,59	84,54	1110,79	965,49	11,6774
1545,00	453,67	66,69	84,12	1113,32	976,18	11,6773
1546,00	453,74	66,44	84,23	1112,49	978,13	11,5770
1547,00	453,76	66,16	84,20	1112,49	979,81	11,4765
1548,00	454,91	66,54	83,73	1113,91	985,98	11,3757
1549,00	455,50	66,24	83,87	1114,92	988,50	11,2755
1550,00	456,26	66,41	83,69	1118,33	992,45	11,1749
1551,00	456,56	66,35	84,02	1121,08	1018,27	11,1488
1552,00	459,07	66,91	84,70	1109,14	1033,09	11,0776
1553,00	460,90	66,58	85,14	1111,17	1074,00	10,9425
1554,00	461,32	66,51	84,84	1111,01	1036,74	10,8764
1555,00	462,10	66,63	84,81	1109,88	998,47	10,7761
1556,00	462,70	66,61	85,23	1107,26	1043,82	10,7654
1557,00	462,95	66,55	85,14	1134,44	971,11	10,6754
1558,00	466,22	66,71	84,82	1167,96	988,58	10,5751
1559,00	468,34	66,38	84,98	1179,75	993,44	10,4746
1560,00	469,40	66,56	84,90	1185,22	998,19	10,3773
1561,00	471,37	66,50	84,57	1187,03	1001,31	10,3301
1562,00	471,91	66,44	84,78	1191,33	1001,77	10,2768
1563,00	472,80	66,30	84,63	1190,33	1000,96	10,1761
1564,00	472,59	66,36	84,76	1156,24	1029,57	10,0756
1565,00	471,78	66,33	84,73	1124,76	966,64	10,0755
1566,00	473,51	66,57	85,07	1169,56	983,23	9,9750
1567,00	474,36	66,53	85,35	1185,69	1000,97	9,8746
1568,00	476,02	66,63	85,48	1191,06	1006,31	9,8714
1569,00	476,77	66,59	85,47	1196,05	1008,02	9,7741
1570,00	478,10	66,66	85,35	1200,23	1008,05	9,6769
1571,00	479,30	66,41	85,43	1201,68	1008,78	9,5763

1572,00	479,21	66,62	85,26	1200,00	1003,18	9,4802
1573,00	480,57	66,59	85,36	1198,90	999,11	9,4757
1574,00	480,52	66,59	85,26	1196,11	995,95	9,3753
1575,00	481,31	66,43	85,21	1191,94	988,33	9,2747
1576,00	480,50	66,60	84,85	1189,09	986,84	9,2749
1577,00	480,69	66,39	84,89	1184,88	981,94	9,1742
1578,00	481,50	66,53	85,09	1181,76	978,59	9,1744
1579,00	481,30	66,35	85,12	1178,05	971,36	9,0739
1580,00	482,00	66,65	85,13	1173,78	964,97	8,9766
1581,00	481,21	66,73	84,91	1171,49	963,60	8,8759
1582,00	480,09	66,82	85,37	1169,01	962,27	8,8761
1583,00	480,33	66,77	85,45	1167,42	958,62	8,7755
1584,00	480,24	66,85	85,49	1165,49	956,69	8,7756
1585,00	479,29	66,58	85,65	1163,36	954,33	8,6751
1586,00	479,05	66,65	85,47	1161,69	951,88	8,5744
1587,00	478,46	66,54	85,04	1158,62	951,32	8,5744
1588,00	478,46	66,55	84,89	1155,38	950,38	8,4740
1589,00	477,19	66,62	85,31	1153,54	947,80	8,3733
1590,00	476,94	66,56	85,20	1150,23	945,57	8,3736
1591,00	476,76	66,41	85,25	1147,92	945,62	8,2763
1592,00	476,55	66,42	84,84	1145,13	941,51	8,1758
1593,00	475,31	66,26	84,79	1141,48	934,49	8,1756
1594,00	474,73	66,41	84,33	1140,01	934,17	8,1731
1595,00	474,93	66,52	84,73	1138,30	930,31	8,0753
1596,00	474,06	66,78	84,75	1135,72	924,34	7,9746
1597,00	472,24	66,48	85,33	1132,67	924,05	7,9748
1598,00	472,46	66,50	85,43	1132,64	924,00	7,8743
1599,00	471,66	66,37	85,21	1134,68	926,44	7,8739
1600,00	471,50	66,57	84,91	1137,47	931,09	7,7738
1601,00	470,13	66,47	85,04	1139,95	933,21	7,6731
1602,00	470,54	66,35	85,06	1145,15	938,41	7,6733
1603,00	470,87	66,68	84,74	1150,97	948,16	7,5759
1604,00	470,01	66,19	84,81	1154,03	953,06	7,5754
1605,00	469,97	66,67	84,70	1159,08	957,92	7,4755
1606,00	469,62	66,55	84,97	1162,31	964,20	7,3750
1607,00	470,79	66,08	84,48	1165,02	966,93	7,2743
1608,00	470,61	66,26	84,32	1167,01	966,26	7,2745
1609,00	469,70	66,22	84,50	1169,98	970,75	7,1740
1610,00	470,76	66,69	85,09	1170,92	974,11	7,1739
1611,00	471,36	66,30	84,97	1171,19	977,62	7,0733
1612,00	471,61	66,78	85,34	1173,47	980,54	6,9784
1613,00	470,57	66,49	85,22	1173,93	983,08	6,9728
1614,00	471,00	66,83	84,90	1174,84	988,73	6,9728
1615,00	471,78	66,73	84,68	1175,29	991,45	6,8755
1616,00	471,77	66,47	84,63	1175,97	994,04	6,7751
1617,00	472,41	66,40	84,38	1175,97	992,40	6,6747
1618,00	472,61	66,52	84,77	1176,85	997,25	6,6747
1619,00	472,90	66,49	84,59	1178,97	997,73	6,5741
1620,00	473,78	66,81	84,59	1179,26	999,24	6,5740
1621,00	473,74	66,54	84,40	1178,83	1000,98	6,4737
1622,00	474,45	66,58	84,44	1176,55	997,27	6,3730
1623,00	474,64	66,71	84,74	1174,60	994,98	6,3732
1624,00	475,02	66,98	84,76	1171,61	993,76	6,2727
1625,00	475,50	66,68	85,22	1169,86	994,62	6,2726
1626,00	475,01	67,21	85,07	1166,77	990,68	6,1754

1627,00	474,99	67,16	84,91	1162,93	988,98	6,0750
1628,00	474,72	67,29	84,78	1159,85	983,42	6,0749
1629,00	474,22	67,48	85,14	1156,47	980,57	6,0341
1630,00	474,17	67,64	84,74	1153,73	978,79	5,9745
1631,00	474,34	67,90	84,95	1151,61	976,46	5,8739
1632,00	473,46	68,35	84,36	1148,23	970,62	5,7734
1633,00	472,37	68,43	84,72	1145,10	967,39	5,7735
1634,00	473,16	68,56	84,68	1143,28	964,39	5,7307
1635,00	472,97	68,37	84,61	1140,63	961,46	5,6730
1636,00	472,79	68,23	84,91	1139,52	958,75	5,5725
1637,00	471,86	68,37	84,76	1136,51	952,43	5,5724
1638,00	471,72	68,73	84,40	1133,94	947,50	5,4752
1639,00	470,57	68,36	84,86	1132,01	944,18	5,4752
1640,00	469,76	68,28	84,88	1129,69	936,80	5,3747
1641,00	470,93	68,75	84,91	1127,55	935,11	5,3747
1642,00	470,13	68,70	85,05	1125,89	936,77	5,2743
1643,00	468,42	68,33	85,31	1125,88	937,78	5,2060
1644,00	468,79	68,35	85,65	1128,42	938,67	5,1737
1645,00	468,48	68,47	85,72	1134,09	947,52	5,1731
1646,00	468,86	68,76	85,14	1138,47	953,00	5,0733
1647,00	468,10	68,83	85,52	1140,28	955,68	4,9728
1648,00	468,84	68,65	85,43	1142,50	955,38	4,9728
1649,00	467,37	68,68	84,86	1142,58	956,82	4,8722
1650,00	467,11	68,95	85,39	1145,75	958,44	4,872
1651,00	467,02	69,02	85,05	1147,46	958,49	4,775
1652,00	466,80	68,67	85,11	1147,86	959,67	4,775
1653,00	466,55	68,66	85,17	1146,94	956,91	4,675
1654,00	466,00	69,18	84,56	1146,25	954,97	4,675
1655,00	466,45	68,64	84,90	1145,80	954,79	4,574
1656,00	465,52	68,75	84,95	1144,76	953,94	4,489
1657,00	465,53	68,60	85,16	1141,53	948,16	4,474
1658,00	466,00	68,95	85,27	1138,39	945,06	4,474
1659,00	465,13	68,98	84,81	1133,51	938,31	4,373
1660,00	465,13	68,64	84,76	1126,61	929,94	4,373
1661,00	463,86	68,91	84,79	1118,44	919,48	4,273
1662,00	463,41	68,21	84,69	1108,79	906,11	4,273
1663,00	461,51	68,34	84,54	1098,53	891,72	4,273
1664,00	461,12	68,66	84,51	1088,12	879,34	4,172
1665,00	459,96	68,06	84,74	1078,25	869,28	4,172
1666,00	459,27	68,75	84,55	1069,70	860,51	4,075
1667,00	457,81	68,27	84,21	1062,29	856,77	4,075
1668,00	456,07	69,13	84,72	1054,30	851,81	4,022
1669,00	454,85	69,15	85,25	1047,86	845,36	3,974
1670,00	453,66	68,64	84,68	1042,10	845,26	3,974
1671,00	452,47	69,32	84,92	1038,45	842,06	3,974
1672,00	450,39	69,22	85,14	1034,64	838,85	3,874
1673,00	449,16	68,90	84,54	1031,03	836,76	3,874
1674,00	448,62	68,55	84,57	1027,33	834,81	3,776
1675,00	447,12	68,64	84,41	1024,68	832,80	3,773
1676,00	446,29	68,88	84,54	1022,42	830,19	3,773
1677,00	444,77	69,15	84,47	1021,79	832,23	3,773
1678,00	443,59	69,07	84,44	1019,90	829,83	3,673
1679,00	442,21	69,06	84,11	1018,15	831,42	3,673
1680,00	441,48	68,62	83,88	1017,59	834,14	3,572
1681,00	440,03	68,92	84,01	1015,46	832,68	3,572

1682,00	439,56	68,66	83,81	1015,73	834,53	3,572
1683,00	438,10	69,69	84,01	1014,32	833,06	3,475
1684,00	437,77	69,37	84,15	1015,69	831,85	3,472
1685,00	437,00	69,19	83,67	1017,79	833,38	3,472
1686,00	436,68	69,16	83,84	1022,75	834,62	3,472
1687,00	435,22	69,08	83,78	1026,02	837,15	3,375
1688,00	434,72	68,56	83,96	1030,96	836,49	3,375
1689,00	435,39	67,84	83,86	1033,52	834,95	3,274
1690,00	434,69	68,07	83,68	1028,99	827,35	3,274
1691,00	434,14	67,85	83,58	1025,79	818,93	3,274
1692,00	433,33	68,23	83,26	1018,80	809,92	3,174
1693,00	432,03	68,10	83,04	1002,69	796,19	3,174
1694,00	429,91	68,30	83,11	985,80	784,65	3,174
1695,00	428,70	68,29	83,26	972,29	776,04	3,174
1696,00	426,26	68,58	82,92	920,74	753,81	3,174
1697,00	423,75	68,86	83,20	870,27	731,12	3,073
1698,00	420,75	69,05	83,19	843,74	720,78	3,073
1699,00	417,54	68,65	82,69	826,45	712,64	3,073
1700,00	414,55	69,31	83,03	812,56	706,23	3,073
1701,00	411,17	69,04	83,22	801,54	703,33	3,073
1702,00	407,99	69,25	83,07	792,53	701,01	2,973
1703,00	405,43	68,60	83,22	785,20	696,51	2,973
1704,00	402,18	68,93	82,82	779,87	697,57	2,973
1705,00	399,35	68,92	82,82	775,44	693,82	2,973
1706,00	396,81	69,22	82,71	771,34	692,58	2,973
1707,00	393,62	68,84	82,41	767,47	690,44	2,872
1708,00	391,36	69,24	82,39	764,55	692,02	2,872
1709,00	388,32	69,41	82,31	764,13	690,97	2,872
1710,00	385,83	69,11	82,03	763,00	689,14	2,872
1711,00	383,25	69,02	81,35	760,50	685,76	2,835
1712,00	381,21	69,11	81,84	756,89	687,22	2,830
1713,00	378,48	69,12	81,76	755,16	687,86	2,772
1714,00	376,61	69,20	81,51	754,01	687,14	2,772
1715,00	375,02	69,42	81,34	753,05	688,18	2,772
1716,00	372,96	69,17	81,40	751,01	686,24	2,772
1717,00	370,70	69,17	81,41	750,82	684,86	2,675
1718,00	368,97	69,23	81,30	748,61	687,01	2,771
1719,00	366,99	69,31	81,10	745,11	685,46	2,674
1720,00	365,10	68,92	80,97	742,63	685,29	2,674
1721,00	363,38	69,03	81,00	741,80	686,26	2,674
1722,00	361,72	69,28	80,63	740,62	683,03	2,575
1723,00	360,03	69,08	80,89	738,73	685,13	2,574
1724,00	357,27	68,56	80,27	738,48	683,44	2,574
1725,00	356,16	69,01	80,61	737,19	677,89	2,574
1726,00	354,42	69,13	80,40	734,13	676,86	2,574
1727,00	353,46	69,14	80,50	733,62	677,35	2,574
1728,00	352,97	68,99	80,30	734,88	671,65	2,574
1729,00	351,73	69,03	80,17	736,73	670,43	2,473
1730,00	349,64	69,03	80,17	736,23	666,86	2,473
1731,00	349,12	69,20	80,10	735,61	665,80	2,473
1732,00	348,15	68,85	80,03	735,45	662,83	2,473
1733,00	346,53	69,06	79,87	735,82	659,75	2,373
1734,00	346,19	69,18	79,81	734,29	654,96	2,473
1735,00	344,63	69,15	79,90	733,68	652,82	2,373
1736,00	343,52	69,02	79,78	734,45	651,04	2,373

1737,00	342,68	68,75	79,57	735,02	650,34	2,373
1738,00	341,47	69,17	79,41	735,25	647,55	2,340
1739,00	339,98	69,30	79,63	736,10	646,77	2,373
1740,00	340,17	69,02	79,88	736,51	645,38	2,279
1741,00	338,77	69,33	79,70	738,27	644,52	2,272
1742,00	338,89	69,23	79,57	740,35	643,51	2,272
1743,00	338,12	68,98	79,48	741,50	641,78	2,272
1744,00	337,72	69,09	79,60	741,01	639,88	2,212
1745,00	337,92	68,93	79,43	740,15	638,45	2,272
1746,00	335,96	69,29	79,42	739,54	636,68	2,172
1747,00	335,72	69,05	79,26	739,34	636,20	2,172
1748,00	333,14	69,31	79,27	738,03	636,05	2,172
1749,00	331,75	69,34	79,02	739,22	635,78	2,172
1750,00	330,77	69,37	78,91	738,35	635,34	2,172
1751,00	329,83	69,33	78,91	738,22	634,91	2,071
1752,00	329,98	69,41	78,77	737,55	635,22	2,071
1753,00	329,27	69,04	78,45	736,75	635,29	2,071
1754,00	328,67	69,30	78,34	735,41	634,08	2,071
1755,00	327,38	69,33	78,45	732,93	633,32	2,071
1756,00	326,51	69,01	78,36	730,39	632,28	2,071
1757,00	326,16	68,64	78,44	726,15	631,01	1,974
1758,00	325,05	68,87	78,36	722,25	629,32	1,974
1759,00	324,33	68,97	78,48	718,58	627,61	1,974
1760,00	323,49	69,28	78,50	716,19	627,08	1,974
1761,00	323,49	69,14	78,16	713,60	625,75	1,974
1762,00	322,80	69,05	78,18	711,24	623,30	1,974
1763,00	322,13	69,12	78,18	709,47	622,94	1,874
1764,00	321,19	69,02	78,12	708,86	621,52	1,874
1765,00	320,00	69,24	77,97	706,76	620,25	1,874
1766,00	318,02	69,28	78,18	706,00	620,31	1,874
1767,00	318,31	69,06	78,17	706,03	619,63	1,874
1768,00	318,28	69,16	78,08	705,52	618,42	1,850
1769,00	317,54	68,95	77,98	706,00	619,47	1,874
1770,00	316,55	68,90	77,89	706,99	619,04	1,773
1771,00	316,27	68,97	78,06	707,14	618,84	1,773
1772,00	316,35	68,89	77,93	707,32	617,21	1,773
1773,00	315,18	69,23	77,79	708,16	617,50	1,773
1774,00	314,41	70,62	77,92	708,32	617,39	1,773
1775,00	314,94	69,39	77,84	707,68	617,90	1,773
1776,00	315,26	69,20	77,46	705,91	616,72	1,673
1777,00	314,00	69,03	77,74	701,06	613,88	1,673
1778,00	313,63	69,47	77,74	698,13	611,92	1,673
1779,00	312,87	69,25	77,62	696,35	611,46	1,673
1780,00	312,58	69,09	77,60	695,95	610,19	1,673
1781,00	313,01	69,05	77,47	695,35	609,14	1,673
1782,00	311,76	69,65	77,75	694,42	608,55	1,673
1783,00	311,79	69,36	77,63	692,22	612,24	1,657
1784,00	311,06	69,30	77,71	693,17	615,54	1,572
1785,00	310,21	69,38	77,61	694,14	616,73	1,572
1786,00	309,82	69,54	77,72	694,41	618,22	1,572
1787,00	309,55	69,08	77,60	695,19	617,15	1,572
1788,00	309,31	69,36	77,63	695,10	620,01	1,572
1789,00	307,94	69,28	77,45	697,40	627,03	1,472
1790,00	307,50	69,16	77,49	700,09	630,30	1,521
1791,00	309,01	69,09	77,63	702,05	630,56	1,472

1792,00	309,29	69,37	77,54	703,73	633,03	1,472
1793,00	308,04	69,12	77,48	704,67	633,83	1,472
1794,00	307,75	69,14	77,36	705,78	633,22	1,472
1795,00	308,76	69,11	77,43	707,05	626,20	1,371
1796,00	308,29	69,28	77,47	712,07	626,15	1,472
1797,00	307,83	69,09	77,61	714,92	625,18	1,371
1798,00	306,99	69,05	77,44	716,00	625,95	1,371
1799,00	307,78	69,15	77,41	717,82	627,63	1,371
1800,00	309,04	69,02	77,28	718,44	624,76	1,371
1801,00	308,47	69,30	77,22	717,23	624,55	1,317
1802,00	308,08	68,98	77,37	716,40	624,29	1,274
1803,00	307,57	69,07	77,36	716,14	624,14	1,274
1804,00	307,31	69,25	77,22	715,59	625,08	1,274
1805,00	306,56	69,26	77,44	714,89	623,87	1,274
1806,00	307,69	69,28	77,04	714,09	621,45	1,274
1807,00	307,12	69,09	77,16	712,30	619,72	1,246
1808,00	306,87	69,24	77,38	710,90	618,77	1,173
1809,00	306,88	69,25	77,12	710,17	619,18	1,173
1810,00	306,88	69,14	77,02	709,76	618,40	1,173
1811,00	306,02	69,28	77,28	709,29	620,64	1,173
1812,00	306,24	69,06	76,96	708,17	618,64	1,173
1813,00	304,90	69,14	76,91	706,34	620,09	1,073
1814,00	304,73	69,36	76,80	704,85	619,54	1,173
1815,00	305,08	69,14	77,03	706,01	618,63	1,137
1816,00	305,47	69,10	77,14	706,09	620,36	1,073
1817,00	304,72	69,21	76,97	706,26	618,52	1,073
1818,00	304,56	68,87	77,01	707,56	616,99	1,073
1819,00	305,42	69,77	77,00	708,82	617,48	1,073
1820,00	304,50	69,23	77,03	708,45	615,89	1,073
1821,00	305,13	69,08	76,83	710,02	615,86	0,972
1822,00	305,24	68,22	76,62	711,15	614,61	0,972
1823,00	304,41	68,82	76,78	710,81	612,86	0,972
1824,00	304,26	68,48	76,70	710,73	612,25	0,972
1825,00	304,02	68,35	76,67	710,62	611,49	0,972
1826,00	304,23	68,10	76,56	710,59	610,91	0,903
1827,00	303,85	68,43	76,73	711,44	611,67	0,872
1828,00	303,32	68,32	76,41	712,97	614,99	0,872
1829,00	303,72	68,31	76,49	715,70	615,10	0,872
1830,00	303,32	67,85	76,28	717,96	615,90	0,872
1831,00	302,95	67,93	76,17	718,18	614,51	0,872
1832,00	303,64	68,06	76,43	719,99	615,17	0,872
1833,00	303,85	67,83	76,18	720,25	616,38	0,872
1834,00	303,52	67,94	76,26	720,54	613,42	0,771
1835,00	303,92	67,64	76,04	727,48	616,57	0,771
1836,00	304,17	67,60	76,29	744,64	625,30	0,771
1837,00	303,88	67,74	76,16	754,19	621,57	0,771
1838,00	304,77	67,83	76,12	760,11	624,31	0,771
1839,00	306,16	67,72	76,11	775,92	635,74	0,771
1840,00	306,54	67,76	75,97	790,99	646,06	0,671
1841,00	307,78	67,65	75,89	801,63	652,30	0,671
1842,00	308,88	67,56	75,96	809,39	656,13	0,671
1843,00	310,04	67,56	75,97	815,53	659,81	0,671
1844,00	310,34	67,63	75,65	818,65	660,43	0,574
1845,00	310,43	67,61	75,99	820,07	662,52	0,574
1846,00	311,77	67,65	75,81	820,84	662,65	0,574

1847,00	311,45	67,57	75,77	820,41	662,38	0,574
1848,00	311,96	67,50	75,71	819,89	662,04	0,559
1849,00	314,17	67,49	75,92	819,26	660,76	0,574
1850,00	315,58	67,46	75,88	817,64	659,53	0,473
1851,00	315,08	67,54	76,01	815,82	657,29	0,473
1852,00	316,14	67,50	75,57	805,50	644,15	0,473
1853,00	314,57	67,39	75,64	756,53	619,94	0,473
1854,00	315,53	67,21	75,85	728,01	611,44	0,373
1855,00	315,19	67,26	75,77	713,40	607,87	0,373
1856,00	313,91	67,55	75,66	703,76	605,58	0,454
1857,00	313,45	67,32	75,58	696,07	605,39	0,373
1858,00	311,60	67,36	75,75	691,09	604,17	0,373
1859,00	311,04	67,22	75,73	687,89	603,86	0,373
1860,00	310,94	66,85	75,62	684,68	599,23	0,272
1861,00	309,20	67,15	75,68	680,33	598,12	0,372
1862,00	308,79	67,11	75,45	678,15	597,73	0,272
1863,00	308,68	67,07	75,65	677,35	597,53	0,272
1864,00	308,44	67,13	75,88	674,48	594,54	0,272
1865,00	306,80	67,20	75,85	665,14	592,01	0,272
1866,00	305,67	67,32	76,11	658,96	591,88	0,172
1867,00	304,97	67,05	76,07	655,58	591,12	0,172
1868,00	303,22	67,05	76,02	652,94	590,48	0,172
1869,00	302,53	67,29	75,81	651,15	590,27	0,172
1870,00	301,29	67,07	75,74	650,11	588,24	0,171
1871,00	300,75	66,95	75,50	649,22	587,37	0,172
1872,00	299,57	67,07	75,52	648,09	586,91	0,072
1873,00	298,87	67,00	75,37	647,08	586,72	0,071
1874,00	297,74	67,03	75,33	647,16	586,52	0,071
1875,00	296,76	66,92	75,35	647,97	587,12	0,071
1876,00	294,93	66,72	75,24	646,18	585,68	0,071
1877,00	294,89	66,69	75,36	645,39	585,72	0,071
1878,00	293,74	66,85	75,11	645,81	585,74	0,039
1879,00	294,46	66,70	75,06	646,38	585,39	0,071
1880,00	293,07	66,73	75,04	645,57	584,25	0,062
1881,00	292,07	66,76	74,89	643,87	584,84	0,039
1882,00	292,06	66,89	74,57	643,22	582,95	0,039
1883,00	291,49	66,67	74,72	640,56	583,96	0,039
1884,00	291,42	66,67	74,77	639,80	581,50	0,039
1885,00	291,21	66,76	74,68	641,83	580,65	0,039
1886,00	289,44	66,74	74,54	643,85	580,83	0,039
1887,00	288,70	66,74	74,45	643,41	580,23	0,039
1888,00	288,68	66,82	74,53	642,19	580,14	0,039
1889,00	287,48	66,79	74,67	643,25	577,84	0,039
1890,00	286,03	66,78	75,18	645,96	577,30	0,039
1891,00	286,87	67,07	74,97	644,93	576,10	0,039
1892,00	286,73	66,80	75,14	642,00	573,73	0,039
1893,00	286,66	66,70	75,24	640,78	574,32	0,039
1894,00	285,63	66,92	75,04	640,55	575,62	0,039
1895,00	284,59	66,74	74,89	637,87	575,35	0,039
1896,00	283,70	66,57	74,76	638,34	575,64	0,039
1897,00	282,61	66,74	74,51	638,87	575,04	0,039
1898,00	282,08	66,51	74,72	639,63	574,00	4,074
1899,00	276,68	66,82	156,84	257,19	332,21	23,983
1900,00	256,00	66,88	93,28	297,37	322,06	46,229
1901,00	259,88	67,01	86,90	315,66	331,79	45,300

1902,00	258,96	66,92	79,53	382,30	349,26	45,501
1903,00	257,85	66,88	77,73	405,27	355,88	45,501
1904,00	256,77	66,94	76,89	408,13	359,86	45,400
1905,00	255,95	66,69	76,40	407,15	393,07	45,400
1906,00	254,79	66,79	75,94	432,39	410,74	45,400
1907,00	253,97	66,90	75,63	440,17	416,98	45,300
1908,00	253,11	66,74	75,36	433,66	424,77	45,199
1909,00	252,47	66,81	75,26	430,83	421,26	45,199
1910,00	252,06	66,76	75,07	423,17	410,50	45,102
1911,00	251,73	66,91	74,81	416,25	412,60	45,002
1912,00	251,25	66,79	74,76	416,20	420,92	45,001
1913,00	252,42	66,67	75,54	426,04	444,79	44,962
1914,00	254,33	66,94	75,19	424,81	479,12	44,901
1915,00	257,34	66,48	75,37	811,57	511,28	44,800
1916,00	263,21	66,84	75,40	830,53	539,65	44,767
1917,00	268,53	66,94	75,32	840,07	562,69	44,700
1918,00	273,84	66,67	75,24	875,76	586,52	44,599
1919,00	278,56	66,65	75,24	904,77	610,18	44,599
1920,00	282,53	66,26	75,25	927,15	611,32	44,498
1921,00	288,00	66,45	75,28	921,20	600,19	44,401
1922,00	293,60	66,56	75,30	921,65	604,41	44,401
1923,00	298,41	66,29	75,17	935,01	613,24	44,301
1924,00	301,52	66,39	75,30	944,30	622,25	44,200
1925,00	307,09	66,45	75,26	952,21	628,80	44,200
1926,00	310,08	66,32	75,33	972,17	646,96	44,099
1927,00	313,66	66,23	75,47	988,99	667,74	43,999
1928,00	319,72	66,16	75,69	1007,16	685,58	43,898
1929,00	324,01	66,09	75,72	1023,74	707,63	43,798
1930,00	330,80	66,17	75,70	1047,18	737,63	43,776
1931,00	336,76	66,17	75,93	1061,57	758,12	43,700
1932,00	343,04	66,38	76,02	1066,73	762,90	43,600
1933,00	346,42	66,31	77,05	1067,42	764,58	43,499
1934,00	352,06	66,44	76,50	1066,96	764,33	43,399
1935,00	356,00	66,46	76,95	1062,45	752,59	43,298
1936,00	360,00	66,44	77,10	1053,31	734,30	43,197
1937,00	361,89	66,58	77,10	1036,48	712,43	43,197
1938,00	364,91	66,47	76,97	1020,19	694,23	43,097
1939,00	366,18	66,50	77,08	1005,60	682,55	43,000
1940,00	369,53	66,47	76,92	1001,48	681,49	42,903
1941,00	369,97	66,32	77,30	1004,73	686,39	42,899
1942,00	372,08	66,28	77,38	1009,32	694,18	42,798
1943,00	374,95	66,32	77,53	1014,67	701,34	42,698
1944,00	377,21	66,23	77,57	1019,19	706,61	42,625
1945,00	380,26	66,19	77,73	1023,37	711,50	42,597
1946,00	381,45	66,33	77,64	1027,67	715,60	42,497
1947,00	382,18	66,19	77,81	1031,34	718,77	42,396
1948,00	384,24	66,48	77,71	1031,04	718,14	42,300
1949,00	386,82	66,32	77,91	1033,31	721,31	42,299
1950,00	388,49	66,20	77,65	1033,80	721,70	42,198
1951,00	390,13	66,33	77,85	1034,63	723,92	42,098
1952,00	391,47	66,48	78,56	1035,42	723,44	41,997
1953,00	393,07	66,52	78,35	1035,11	725,26	41,897
1954,00	393,90	66,35	78,87	1034,71	728,03	41,897
1955,00	394,29	66,42	79,00	1033,92	725,76	41,796
1956,00	396,45	66,59	79,09	1031,44	723,58	41,698

1957,00	396,93	66,49	79,25	1029,69	717,91	41,696
1958,00	397,98	66,46	79,42	1027,50	716,39	41,598
1959,00	399,24	66,30	79,21	1023,19	712,51	41,498
1960,00	401,27	66,16	79,25	1020,61	709,93	41,397
1961,00	400,87	66,31	79,01	1017,10	707,42	41,397
1962,00	402,36	66,29	79,27	1015,41	707,72	41,296
1963,00	401,54	66,19	79,31	1012,32	705,74	41,196
1964,00	401,65	66,34	79,29	1012,12	705,16	41,196
1965,00	401,15	66,45	79,25	1011,33	703,34	41,095
1966,00	401,98	66,29	79,59	1015,77	707,63	40,995
1967,00	402,08	66,36	79,39	1016,61	708,04	40,914
1968,00	403,14	66,30	79,31	1014,77	706,22	40,897
1969,00	403,51	66,08	79,43	1012,55	703,19	40,797
1970,00	404,63	66,20	79,33	1010,12	702,05	40,696
1971,00	405,59	66,19	80,01	1007,21	699,11	40,677
1972,00	404,84	66,39	79,53	1004,53	696,19	40,596
1973,00	404,64	66,44	79,84	1002,49	694,79	40,495
1974,00	404,52	66,46	80,17	1001,78	692,53	40,495
1975,00	405,39	66,45	80,18	999,39	693,31	40,395
1976,00	404,73	66,46	80,04	997,92	692,76	40,294
1977,00	404,02	66,25	80,24	997,12	692,76	40,197
1978,00	404,09	66,28	80,15	995,11	691,51	40,197
1979,00	403,77	66,33	80,16	994,87	693,75	40,096
1980,00	404,59	66,15	80,04	995,37	694,02	39,996
1981,00	404,36	66,24	80,11	995,67	694,30	39,996
1982,00	404,70	66,28	80,18	996,48	694,49	39,895
1983,00	403,83	66,35	80,03	997,46	696,92	39,795
1984,00	404,14	66,24	80,04	999,03	700,27	39,745
1985,00	403,63	66,36	80,06	1000,00	701,18	39,694
1986,00	403,28	66,34	80,24	1001,32	703,73	39,594
1987,00	404,18	66,12	80,17	1002,94	706,31	39,544
1988,00	404,51	66,09	80,04	1004,34	707,06	39,496
1989,00	404,90	66,13	79,86	1004,91	709,68	39,396
1990,00	404,27	66,28	80,14	1005,71	710,51	39,295
1991,00	404,68	66,51	79,91	1006,07	711,74	39,232
1992,00	404,82	66,48	80,44	1006,74	712,29	39,195
1993,00	405,51	66,26	80,66	1006,54	713,04	39,094
1994,00	405,31	66,32	80,63	1006,48	712,65	39,094
1995,00	405,05	66,47	80,34	1006,05	713,04	38,994
1996,00	405,40	66,50	80,40	1004,83	713,29	38,893
1997,00	405,48	66,25	80,44	1004,17	714,11	38,893
1998,00	406,12	66,27	80,39	1003,48	713,96	38,795
1999,00	404,63	66,17	80,23	1002,74	713,44	38,695
2000,00	404,05	66,38	80,40	1003,02	716,10	38,695
2001,00	403,72	66,18	80,14	1002,08	713,31	38,595
2002,00	403,76	66,11	80,04	1001,33	713,39	38,494
2003,00	404,35	65,94	80,29	1000,94	714,20	38,393
2004,00	404,77	66,19	80,36	1000,83	714,90	38,393
2005,00	404,48	66,18	80,01	1001,19	715,92	38,293
2006,00	403,76	66,53	80,29	1001,99	716,70	38,192
2007,00	404,52	66,17	80,03	1003,46	719,83	38,192
2008,00	404,34	66,17	79,91	1003,65	720,50	38,095
2009,00	404,64	66,20	80,46	1004,90	721,83	37,994
2010,00	404,60	66,60	79,91	1004,95	720,48	37,894
2011,00	404,60	66,14	80,59	1004,68	721,21	37,894

2012,00	404,97	66,30	80,61	1004,48	721,25	37,793
2013,00	404,28	66,30	80,55	1003,98	720,57	37,693
2014,00	404,27	66,25	80,34	1004,62	721,74	37,693
2015,00	404,47	66,23	80,46	1005,37	722,03	37,592
2016,00	404,42	66,12	80,40	1006,15	724,54	37,495
2017,00	404,64	66,13	80,25	1007,78	725,06	37,398
2018,00	404,79	66,15	80,35	1010,12	727,95	37,394
2019,00	405,42	66,19	80,32	1012,37	728,88	37,294
2020,00	405,36	66,04	80,34	1015,40	732,44	37,193
2021,00	406,09	66,05	80,37	1018,42	736,83	37,093
2022,00	406,27	66,07	80,35	1022,21	743,56	37,093
2023,00	406,70	66,07	80,10	1025,07	745,99	36,992
2024,00	407,21	66,03	80,01	1027,53	748,61	36,891
2025,00	406,89	65,93	80,33	1029,60	750,66	36,891
2026,00	408,62	66,08	80,50	1031,95	752,69	36,794
2027,00	408,42	66,15	80,15	1033,96	755,51	36,694
2028,00	409,14	66,57	80,36	1036,52	757,11	36,693
2029,00	409,54	66,20	80,90	1038,58	761,59	36,593
2030,00	409,10	66,48	80,67	1040,57	762,50	36,493
2031,00	410,12	66,09	80,79	1043,38	766,25	36,392
2032,00	409,82	66,19	80,92	1045,67	772,38	36,392
2033,00	410,64	66,25	80,71	1048,32	773,45	36,291
2034,00	410,35	66,18	80,64	1050,28	778,38	36,191
2035,00	411,14	66,03	80,76	1053,22	778,46	36,093
2036,00	411,62	65,95	80,81	1055,28	780,11	36,094
2037,00	412,35	66,00	80,72	1056,27	781,35	35,993
2038,00	413,45	66,16	80,56	1057,49	783,51	35,892
2039,00	413,77	65,97	80,54	1058,67	784,87	35,792
2040,00	414,34	66,08	80,62	1058,83	785,57	35,792
2041,00	415,08	66,00	80,39	1059,66	787,42	35,691
2042,00	415,17	65,93	80,38	1060,65	789,84	35,591
2043,00	415,60	66,12	80,25	1059,82	788,77	35,505
2044,00	415,67	66,20	80,67	1059,53	789,74	35,490
2045,00	416,55	66,48	79,90	1061,64	791,54	35,393
2046,00	417,31	66,25	80,69	1061,42	791,52	35,293
2047,00	416,97	66,27	81,17	1062,38	791,61	35,202
2048,00	417,05	65,99	81,04	1063,01	792,46	35,192
2049,00	417,83	66,05	80,89	1062,87	793,12	35,091
2050,00	417,81	66,00	80,46	1064,29	794,15	34,991
2051,00	418,41	66,12	80,64	1065,39	797,33	34,991
2052,00	418,36	65,92	80,66	1067,09	798,46	34,884
2053,00	419,06	66,03	80,92	1068,67	802,12	34,789
2054,00	419,27	66,02	80,67	1069,85	803,24	34,693
2055,00	419,87	66,02	80,72	1071,43	804,79	34,592
2056,00	420,71	66,04	80,66	1072,57	805,19	34,491
2057,00	420,94	66,18	80,65	1074,27	807,34	34,491
2058,00	420,57	65,96	80,51	1075,29	807,48	34,391
2059,00	420,51	66,24	80,56	1076,33	807,88	34,290
2060,00	421,79	66,13	80,34	1076,72	808,15	34,290
2061,00	421,41	66,00	80,86	1077,10	807,02	34,190
2062,00	422,32	66,27	80,30	1078,30	808,30	34,089
2063,00	422,29	66,24	80,96	1079,23	809,10	33,992
2064,00	422,44	66,04	81,29	1079,48	808,66	33,992
2065,00	422,45	66,30	81,11	1081,14	809,14	33,891
2066,00	422,62	65,99	81,18	1081,37	807,74	33,790

2067,00	423,79	65,91	81,17	1082,61	810,46	33,690
2068,00	424,86	66,01	81,02	1082,94	811,08	33,689
2069,00	425,00	66,01	80,98	1083,46	810,35	33,590
2070,00	425,00	65,89	81,48	1084,90	811,57	33,489
2071,00	425,31	66,10	81,10	1085,59	812,86	33,388
2072,00	425,71	66,04	81,00	1086,44	812,67	33,349
2073,00	426,21	66,14	81,14	1086,54	813,45	33,291
2074,00	425,83	66,15	80,97	1086,16	814,81	33,191
2075,00	426,47	65,96	81,12	1086,53	813,88	33,090
2076,00	426,26	66,04	80,91	1085,94	813,88	32,989
2077,00	426,42	66,05	81,01	1085,42	813,26	32,915
2078,00	426,65	66,08	81,05	1083,67	811,10	32,889
2079,00	427,57	66,39	80,48	1082,76	808,70	32,788
2080,00	427,95	66,05	81,21	1080,18	808,72	32,688
2081,00	427,92	66,22	81,34	1079,62	807,37	32,590
2082,00	428,33	66,10	81,28	1077,96	805,33	32,591
2083,00	428,61	66,17	81,07	1077,28	804,52	32,490
2084,00	428,58	66,20	81,32	1075,65	802,61	32,390
2085,00	427,79	66,15	81,39	1073,19	799,54	32,389
2086,00	428,06	66,17	81,34	1073,41	799,07	32,289
2087,00	428,69	65,97	81,14	1071,88	797,41	32,188
2088,00	428,88	66,07	81,37	1071,42	797,46	32,117
2089,00	428,31	66,06	81,17	1070,80	797,99	32,088
2090,00	428,66	66,03	81,05	1069,36	797,32	31,987
2091,00	428,54	66,07	80,93	1069,04	797,78	31,890
2092,00	428,07	65,86	81,00	1068,39	796,47	31,790
2093,00	428,14	65,77	81,28	1067,24	796,35	31,789
2094,00	427,49	65,95	80,60	1066,70	795,61	31,689
2095,00	427,27	65,90	80,63	1065,05	795,21	31,689
2096,00	426,63	66,50	80,81	1063,66	792,55	31,588
2097,00	427,06	66,10	81,35	1062,88	790,67	31,488
2098,00	426,75	66,12	81,47	1061,77	790,57	31,387
2099,00	426,92	66,00	81,43	1060,63	790,27	31,287
2100,00	427,31	65,80	81,14	1058,79	786,57	31,287
2101,00	425,90	66,11	81,33	1056,94	784,44	31,190
2102,00	425,74	66,03	80,99	1055,24	782,80	31,089
2103,00	425,24	66,07	81,28	1052,70	780,04	31,089
2104,00	425,16	65,89	81,17	1049,72	776,61	30,988
2105,00	424,30	65,92	80,82	1048,11	774,19	30,888
2106,00	424,71	65,88	81,00	1046,88	772,05	30,888
2107,00	424,68	65,98	80,83	1045,45	771,75	30,787
2108,00	424,15	66,02	80,94	1042,84	769,66	30,686
2109,00	423,15	65,71	81,05	1041,13	765,98	30,687
2110,00	422,95	66,08	81,18	1039,39	767,09	30,586
2111,00	422,61	65,77	81,05	1037,37	767,09	30,489
2112,00	422,06	66,22	80,80	1037,46	767,28	30,391
2113,00	421,23	65,80	81,02	1037,23	769,37	30,388
2114,00	420,75	66,12	81,20	1038,00	768,92	30,288
2115,00	420,91	65,89	81,18	1039,42	772,42	30,288
2116,00	420,18	65,91	80,90	1040,87	773,36	30,187
2117,00	420,98	65,98	81,12	1041,37	772,93	30,086
2118,00	420,11	65,97	81,07	1042,56	773,60	30,087
2119,00	419,71	65,83	80,84	1043,57	773,34	29,986
2120,00	419,53	65,88	80,81	1043,21	774,07	29,886
2121,00	419,04	65,86	80,77	1044,03	775,39	29,885

2122,00	418,91	65,65	80,76	1045,48	777,12	29,788
2123,00	418,99	65,93	80,57	1045,45	777,89	29,688
2124,00	419,11	65,88	80,65	1045,71	777,19	29,587
2125,00	417,89	65,73	80,59	1046,22	778,18	29,587
2126,00	417,86	65,81	80,52	1046,54	778,82	29,487
2127,00	418,32	65,91	80,38	1046,84	778,29	29,387
2128,00	418,80	66,02	80,29	1047,73	779,04	29,396
2129,00	418,67	66,36	80,53	1048,54	783,41	29,285
2130,00	418,68	66,43	80,94	1050,72	785,28	29,280
2131,00	419,22	66,11	80,79	1051,75	786,93	29,185
2132,00	418,46	66,26	80,48	1052,60	787,48	29,088
2133,00	418,27	66,16	80,95	1052,84	788,68	28,992
2134,00	418,23	66,03	80,80	1054,24	789,82	28,987
2135,00	418,12	65,90	80,69	1056,00	791,77	28,987
2136,00	417,84	65,81	80,34	1057,93	793,05	28,887
2137,00	417,44	65,82	80,78	1059,14	794,43	28,786
2138,00	417,69	65,78	80,70	1061,96	800,13	28,725
2139,00	418,95	65,64	80,64	1063,50	799,80	28,686
2140,00	419,35	65,86	80,33	1065,67	805,64	28,585
2141,00	419,24	66,07	80,41	1068,39	805,80	28,484
2142,00	418,58	65,73	80,48	1072,26	809,74	28,483
2143,00	418,57	66,10	80,70	1075,56	812,15	28,387
2144,00	419,33	66,00	80,51	1080,75	819,11	28,287
2145,00	420,24	66,37	80,71	1085,61	824,80	28,186
2146,00	420,65	66,12	81,09	1090,01	830,58	28,186
2147,00	420,71	66,28	80,80	1094,76	837,18	28,086
2148,00	421,78	66,07	80,95	1099,79	842,94	27,985
2149,00	423,07	66,15	80,89	1104,38	847,93	27,884
2150,00	422,89	66,05	80,93	1111,28	855,40	27,884
2151,00	424,06	65,97	81,05	1116,43	863,04	27,784
2152,00	424,90	65,85	80,83	1123,26	870,45	27,753
2153,00	425,98	65,96	81,35	1126,71	879,73	27,624
2154,00	428,41	65,84	81,01	1130,59	888,05	27,486
2155,00	428,82	65,95	80,82	1127,27	892,79	27,485
2156,00	429,82	65,87	81,20	1129,05	899,12	27,385
2157,00	430,87	65,88	81,15	1126,27	902,98	27,285
2158,00	431,94	65,85	80,80	1126,22	908,61	27,184
2159,00	433,92	65,91	81,06	1124,63	911,72	27,101
2160,00	436,44	66,01	81,07	1122,27	914,71	27,083
2161,00	437,89	66,40	81,08	1120,19	918,28	26,885
2162,00	438,13	66,16	81,80	1120,59	923,05	26,787
2163,00	440,75	66,22	81,98	1119,81	928,39	26,785
2164,00	441,67	66,11	82,05	1119,98	931,27	26,684
2165,00	442,54	66,15	82,14	1118,30	934,56	26,584
2166,00	444,56	65,75	82,07	1117,13	934,43	26,484
2167,00	445,94	66,18	82,06	1116,07	931,36	26,376
2168,00	447,02	65,99	82,34	1114,88	930,91	26,278
2169,00	447,75	66,06	82,30	1114,53	930,68	26,085
2170,00	449,70	65,93	82,70	1115,68	932,51	25,984
2171,00	450,83	66,11	82,71	1115,32	930,03	25,884
2172,00	452,22	65,99	82,62	1115,44	928,31	25,783
2173,00	453,67	65,99	82,61	1114,19	925,58	25,683
2174,00	454,89	66,05	82,45	1115,03	924,87	25,585
2175,00	456,09	66,05	82,50	1114,72	925,79	25,484
2176,00	457,73	65,93	82,68	1114,17	918,08	25,283

2177,00	458,75	66,36	82,44	1114,23	920,90	25,183
2178,00	459,71	66,09	83,29	1113,02	919,56	25,082
2179,00	460,90	66,22	83,82	1113,43	924,87	24,985
2180,00	462,52	66,10	83,50	1115,64	927,86	24,884
2181,00	463,65	66,05	83,50	1116,00	926,27	24,684
2182,00	464,64	66,07	83,58	1116,33	928,82	24,585
2183,00	465,25	66,01	83,76	1117,41	932,51	24,483
2184,00	465,86	65,98	83,75	1120,03	939,59	24,382
2185,00	467,46	65,99	83,88	1120,85	941,95	24,184
2186,00	468,01	65,87	84,01	1118,80	935,41	24,084
2187,00	468,80	66,15	83,84	1119,54	937,79	23,983
2188,00	469,28	66,07	83,71	1120,19	936,21	23,883
2189,00	470,22	65,90	83,65	1118,23	934,12	23,782
2190,00	470,57	66,04	83,83	1119,85	938,82	23,681
2191,00	471,16	65,87	83,62	1120,93	938,06	23,484
2192,00	471,78	65,94	83,73	1120,60	939,06	23,385
2193,00	472,45	66,04	83,28	1120,54	941,69	23,283
2194,00	472,80	66,25	83,78	1120,20	939,66	23,182
2195,00	473,01	66,32	84,07	1120,84	943,74	23,082
2196,00	473,56	66,21	84,45	1121,80	944,40	22,981
2197,00	473,55	66,10	84,31	1121,71	943,28	22,783
2198,00	474,58	66,21	84,13	1121,24	944,72	22,683
2199,00	475,24	65,92	84,65	1122,46	948,21	22,582
2200,00	475,70	65,95	84,73	1125,42	948,06	22,481
2201,00	476,21	66,16	84,83	1123,35	944,80	22,281
2202,00	476,55	66,04	84,98	1123,27	948,20	22,183
2203,00	477,32	66,01	84,98	1122,36	946,95	22,083
2204,00	477,83	65,94	84,74	1123,55	944,79	21,982
2205,00	477,65	65,91	84,86	1122,18	944,56	21,872
2206,00	478,12	65,99	84,87	1123,75	947,53	21,681
2207,00	479,29	65,96	84,66	1123,15	947,67	21,580
2208,00	479,57	65,98	84,72	1123,13	952,53	21,457
2209,00	480,00	66,17	84,48	1123,99	950,32	21,382
2210,00	479,98	66,37	84,14	1123,52	945,90	21,181
2211,00	481,13	66,20	84,92	1124,58	945,67	21,081
2212,00	480,92	66,34	84,89	1126,05	951,58	20,974
2213,00	481,83	66,46	85,18	1126,17	955,50	20,782
2214,00	482,41	66,17	85,18	1127,66	955,04	20,682
2215,00	481,56	66,12	85,51	1129,70	955,29	20,582
2216,00	482,31	66,21	85,40	1130,57	959,70	20,481
2217,00	483,50	66,08	85,20	1132,97	966,75	20,280
2218,00	484,04	66,20	85,36	1134,41	969,11	20,179
2219,00	483,81	66,14	85,43	1135,44	966,87	20,082
2220,00	484,47	66,11	85,33	1136,90	973,28	19,881
2221,00	485,09	66,07	85,62	1137,70	972,49	19,780
2222,00	485,16	65,82	85,16	1138,44	974,42	19,680
2223,00	485,57	66,03	84,91	1140,17	979,26	19,579
2224,00	486,40	66,30	84,89	1141,69	983,07	19,479
2225,00	486,92	66,19	85,01	1142,14	987,65	19,281
2226,00	487,33	66,15	84,57	1143,17	989,08	19,180
2227,00	487,02	66,22	83,93	1142,74	993,74	19,080
2228,00	487,11	66,20	84,63	1142,80	991,10	18,978
2229,00	487,88	66,24	85,46	1142,69	989,56	18,778
2230,00	488,65	66,31	85,42	1143,77	986,31	18,681
2231,00	488,29	66,25	85,45	1143,86	987,50	18,581

2232,00	489,69	66,00	85,04	1143,61	990,56	18,480
2233,00	490,24	66,15	85,70	1141,97	991,52	18,377
2234,00	490,52	66,08	85,99	1144,25	988,12	18,178
2235,00	490,60	66,03	85,56	1143,06	984,37	18,078
2236,00	490,98	66,15	85,65	1142,38	988,39	17,980
2237,00	491,66	65,99	85,48	1143,49	990,00	17,880
2238,00	491,27	65,78	85,32	1142,93	989,96	17,679
2239,00	492,20	65,87	85,25	1143,57	994,35	17,579
2240,00	491,80	65,93	85,24	1142,63	993,27	17,478
2241,00	491,47	65,96	85,35	1141,97	998,55	17,368
2242,00	490,58	66,07	84,56	1145,33	1002,96	17,180
2243,00	487,49	65,90	84,31	1125,35	1024,15	17,079
2244,00	485,32	66,41	82,73	1108,08	1017,14	16,979
2245,00	486,01	66,09	84,15	1096,19	1254,50	16,979
2246,00	486,94	66,34	84,68	1071,07	1321,93	16,878
2247,00	484,76	66,01	85,05	1055,27	1284,14	16,778
2248,00	482,62	65,99	85,01	1046,06	1277,59	16,750
2249,00	482,27	66,15	85,18	1042,58	1253,98	16,580
2250,00	480,83	66,09	85,06	1038,32	1280,30	16,524
2251,00	478,41	65,93	84,68	1042,41	1305,16	16,479
2252,00	477,93	66,07	84,69	1068,97	1327,50	16,379
2253,00	476,75	65,73	84,74	1080,44	1330,07	16,278
2254,00	475,88	65,75	84,45	1103,36	1281,46	16,278
2255,00	474,04	65,84	84,18	1102,88	1272,25	16,178
2256,00	471,15	65,89	83,70	1127,68	1054,60	16,080
2257,00	469,41	65,87	83,55	1110,64	977,68	16,077
2258,00	468,23	66,04	83,33	1126,90	959,11	15,977
2259,00	467,27	66,03	83,05	1130,56	939,64	15,976
2260,00	466,64	66,60	82,58	1129,24	921,97	15,976
2261,00	464,99	65,99	83,04	1122,71	907,45	15,879
2262,00	463,32	66,15	83,56	1118,50	895,29	15,827
2263,00	462,31	66,10	83,45	1113,50	882,81	15,779
2264,00	460,64	66,07	83,34	1109,70	875,60	15,779
2265,00	460,08	66,06	83,33	1106,58	872,06	15,678
2266,00	459,40	65,97	82,89	1102,66	865,26	15,678
2267,00	458,14	65,92	83,17	1098,74	860,13	15,578
2268,00	456,89	66,00	82,93	1095,07	855,20	15,578
2269,00	456,02	65,93	82,53	1092,29	853,14	15,477
2270,00	455,17	65,86	82,89	1086,88	847,18	15,477
2271,00	454,29	65,90	82,67	1077,94	837,26	15,410
2272,00	452,13	66,08	82,43	1070,20	835,22	15,377
2273,00	450,90	65,76	82,48	1060,73	828,27	15,377
2274,00	449,13	65,87	82,23	1054,03	820,74	15,276
2275,00	448,26	65,87	81,71	1047,15	814,79	15,276
2276,00	446,68	66,55	81,88	1040,03	806,64	15,179
2277,00	445,20	66,09	82,33	1034,11	804,39	15,179
2278,00	443,89	66,15	82,55	1032,82	800,13	15,179
2279,00	442,58	66,03	82,37	1028,07	796,03	15,079
2280,00	441,71	66,11	82,37	1023,93	792,64	15,079
2281,00	439,83	65,88	82,21	1018,85	786,47	14,978
2282,00	437,88	65,93	82,09	1015,56	782,47	14,978
2283,00	437,06	66,03	81,95	1012,90	780,06	14,978
2284,00	434,93	65,73	81,94	1009,35	776,82	14,878
2285,00	433,65	65,82	81,84	1006,43	774,05	14,878
2286,00	432,92	65,89	81,55	1003,48	770,93	14,777

2287,00	431,05	65,71	81,46	1002,73	769,09	14,877
2288,00	428,75	65,73	81,15	1002,38	766,56	14,777
2289,00	427,03	65,83	81,33	1001,19	767,38	14,676
2290,00	426,78	65,92	81,54	999,33	765,61	14,676
2291,00	425,11	66,11	80,74	1003,87	768,02	14,676
2292,00	423,80	66,04	81,06	1004,65	769,68	14,576
2293,00	423,57	66,15	81,22	1005,33	768,28	14,576
2294,00	423,21	66,18	81,02	1007,55	769,77	14,576
2295,00	422,27	66,12	80,96	1011,18	772,28	14,478
2296,00	420,78	66,06	81,10	1014,49	775,06	14,478
2297,00	419,82	65,83	80,75	1019,62	777,69	14,378
2298,00	419,91	65,91	81,08	1023,01	781,14	14,378
2299,00	418,03	65,91	81,04	1024,58	781,60	14,378
2300,00	418,02	65,80	80,88	1022,46	779,23	14,278
2301,00	418,17	65,93	80,88	1017,19	773,19	14,277
2302,00	417,70	65,76	80,53	1009,95	767,93	14,278
2303,00	415,77	65,73	80,71	1000,04	761,25	14,177
2304,00	414,20	65,72	80,35	992,58	755,57	14,177
2305,00	414,45	65,72	80,31	986,66	751,29	14,177
2306,00	413,06	65,89	79,80	945,00	737,58	14,077
2307,00	410,88	65,97	79,98	923,26	719,06	14,077
2308,00	407,57	65,91	80,65	914,21	711,78	14,076
2309,00	407,18	66,00	80,71	907,96	709,05	14,044
2310,00	405,17	65,97	80,27	900,94	704,28	13,976
2311,00	403,35	65,92	80,30	893,63	701,36	13,976
2312,00	400,92	65,77	80,01	889,48	697,79	13,876
2313,00	399,88	65,78	79,98	886,98	696,68	13,876
2314,00	398,62	65,91	79,93	884,48	696,61	13,876
2315,00	396,71	65,89	79,81	882,05	693,70	13,876
2316,00	394,90	65,68	79,66	879,76	692,47	13,778
2317,00	393,65	65,77	79,41	877,49	692,22	13,778
2318,00	391,79	65,83	79,51	872,09	689,28	13,778
2319,00	389,17	65,71	79,11	866,76	689,04	13,778
2320,00	387,05	65,78	79,21	860,68	685,93	13,678
2321,00	385,64	66,03	78,83	854,85	684,95	13,678
2322,00	385,37	65,91	79,36	850,14	684,13	13,678
2323,00	383,72	65,97	79,42	849,47	683,49	13,672
2324,00	382,25	66,06	79,56	847,28	682,03	13,577
2325,00	381,19	65,83	79,28	843,33	682,32	13,577
2326,00	379,31	65,90	79,08	839,57	680,56	13,577
2327,00	377,91	65,78	79,12	835,38	678,85	13,477
2328,00	375,94	65,89	79,05	831,09	678,45	13,477
2329,00	374,01	65,67	78,95	826,16	676,95	13,477
2330,00	373,62	65,77	78,70	821,06	674,56	13,477
2331,00	372,79	65,65	78,54	816,39	673,34	13,379
2332,00	370,99	65,82	78,07	812,37	671,46	13,376
2333,00	369,82	65,57	78,32	808,52	670,57	13,376
2334,00	368,72	65,70	78,08	805,28	670,04	13,376
2335,00	367,28	65,94	78,33	803,07	668,71	13,276
2336,00	366,01	65,91	77,57	801,52	666,60	13,276
2337,00	364,57	65,91	78,18	800,03	666,71	13,276
2338,00	363,13	65,72	78,40	799,17	666,45	13,276
2339,00	361,59	65,81	78,15	797,86	665,70	13,175
2340,00	359,88	65,75	77,88	796,32	665,24	13,175
2341,00	359,42	65,57	78,15	795,57	662,93	13,175

2342,00	358,69	65,79	77,98	794,82	661,02	13,133
2343,00	357,62	65,68	77,82	792,38	659,02	13,078
2344,00	357,01	65,66	77,89	788,71	660,14	13,078
2345,00	355,61	65,56	77,46	784,40	657,03	13,040
2346,00	355,42	65,61	77,41	779,31	655,65	13,078
2347,00	353,35	65,53	77,33	774,28	655,21	12,977
2348,00	352,04	65,56	77,38	770,98	652,59	12,977
2349,00	351,22	65,71	77,15	767,54	651,96	12,977
2350,00	348,50	65,70	77,07	764,48	652,53	12,977
2351,00	348,77	66,13	76,99	762,32	651,19	12,948
2352,00	347,80	65,77	77,27	760,00	651,43	12,877
2353,00	346,92	65,89	77,39	757,63	650,92	12,877
2354,00	345,40	65,77	77,32	756,21	650,87	12,872
2355,00	344,64	65,85	77,07	754,37	649,74	12,877
2356,00	343,40	65,94	77,09	751,64	649,07	12,777
2357,00	342,70	65,78	77,06	749,40	648,06	12,776
2358,00	341,79	65,76	77,01	747,61	648,99	12,776
2359,00	341,63	65,71	76,62	745,40	648,17	12,777
2360,00	340,49	65,85	76,56	742,90	645,82	12,724
2361,00	340,15	65,57	76,68	740,45	645,96	12,676
2362,00	339,14	65,52	76,52	738,94	646,80	12,676
2363,00	338,44	65,65	76,51	737,32	646,32	12,676
2364,00	336,76	65,55	76,61	736,32	645,13	12,576
2365,00	336,03	65,78	76,32	734,37	646,12	12,576
2366,00	334,54	65,97	76,89	733,34	646,76	12,575
2367,00	334,49	65,79	76,80	732,70	643,25	12,576
2368,00	333,19	65,82	76,69	732,23	646,41	12,575
2369,00	333,32	65,84	76,69	732,30	646,63	12,478
2370,00	331,82	65,80	76,58	731,29	647,20	12,478
2371,00	330,83	65,79	76,40	731,45	647,91	12,478
2372,00	329,20	65,87	76,28	731,83	648,87	12,378
2373,00	329,16	65,74	76,19	733,75	649,27	12,440
2374,00	330,46	65,51	76,10	734,12	649,00	12,377
2375,00	329,10	65,77	75,78	734,46	650,51	12,378
2376,00	329,92	65,76	76,02	734,91	654,41	12,378
2377,00	329,74	65,28	76,05	738,14	654,72	12,277
2378,00	328,62	65,69	75,62	739,01	655,03	12,286
2379,00	327,47	65,64	76,20	738,58	655,41	12,277
2380,00	327,98	66,02	75,86	738,32	653,47	12,277
2381,00	328,45	65,73	76,32	737,43	654,14	12,277
2382,00	326,48	65,65	76,40	736,79	653,39	12,177
2383,00	325,48	65,83	76,16	737,04	655,03	12,177
2384,00	325,52	65,54	75,97	736,62	654,00	12,177
2385,00	324,68	65,51	75,94	735,98	655,18	12,177
2386,00	325,20	65,64	75,67	735,52	653,32	12,076
2387,00	324,78	65,50	75,64	735,07	655,21	12,076
2388,00	325,56	65,53	75,68	734,42	654,76	12,076
2389,00	324,74	65,48	75,47	733,05	651,62	12,076
2390,00	324,97	65,56	75,31	729,83	647,12	11,976
2391,00	325,12	65,52	75,45	727,89	645,03	11,976
2392,00	324,02	65,51	75,30	726,21	643,59	11,975
2393,00	322,86	65,53	75,93	726,41	644,87	11,975
2394,00	322,92	65,98	75,53	726,78	643,65	11,976
2395,00	322,67	65,53	75,85	726,86	645,79	11,875
2396,00	322,35	65,66	75,99	727,48	646,05	11,875

2397,00	322,48	65,59	75,84	727,86	648,58	11,875
2398,00	322,51	65,66	75,70	728,60	651,09	11,875
2399,00	323,07	65,49	75,71	728,48	652,80	11,778
2400,00	323,29	65,54	75,71	729,22	653,53	11,778
2401,00	321,90	65,57	75,22	730,33	653,13	11,778
2402,00	321,97	65,52	75,44	730,15	653,56	11,778
2403,00	322,14	65,43	75,16	727,80	655,12	11,677
2404,00	321,50	65,32	75,17	725,80	655,29	11,677
2405,00	321,86	65,19	75,21	723,70	654,27	11,677
2406,00	321,71	65,55	75,05	721,80	654,52	11,677
2407,00	322,09	65,45	75,57	720,77	652,48	11,577
2408,00	321,40	66,00	75,51	719,34	652,22	11,577
2409,00	322,20	65,70	75,74	718,57	652,97	11,577
2410,00	321,14	65,77	75,79	717,42	651,10	11,577
2411,00	321,36	65,76	75,82	716,84	654,12	11,577
2412,00	321,15	65,46	75,59	718,71	653,42	11,479
2413,00	321,05	65,67	75,63	720,17	656,19	11,476
2414,00	320,78	65,51	75,24	720,86	655,70	11,476
2415,00	321,64	65,46	75,32	723,31	658,86	11,474
2416,00	319,93	65,64	75,21	725,58	659,50	11,376
2417,00	319,30	65,65	75,22	726,34	661,24	11,376
2418,00	319,27	65,53	75,19	726,73	660,57	11,376
2419,00	320,08	65,51	75,10	727,91	660,94	11,376
2420,00	320,21	65,59	75,40	728,36	660,29	11,275
2421,00	319,02	65,62	75,54	729,62	661,01	11,275
2422,00	319,86	65,90	75,41	730,26	660,49	11,275
2423,00	320,76	65,76	75,65	731,70	659,49	11,275
2424,00	321,02	65,69	75,70	731,81	660,30	11,175
2425,00	321,86	65,94	75,68	732,43	662,07	11,175
2426,00	320,77	65,58	75,44	732,36	659,12	11,175
2427,00	319,13	65,64	75,51	731,05	658,06	11,078
2428,00	319,89	65,55	75,40	729,97	658,50	11,077
2429,00	320,26	65,65	75,33	729,19	657,70	11,077
2430,00	319,65	65,50	75,14	727,44	655,31	11,077
2431,00	320,74	65,59	75,03	724,60	655,12	11,078
2432,00	320,47	65,54	75,20	721,10	652,58	10,977
2433,00	321,19	65,37	75,15	719,17	652,88	10,977
2434,00	319,97	65,70	74,85	716,23	649,94	10,977
2435,00	318,68	65,63	75,54	712,33	649,25	10,977
2436,00	319,42	66,00	75,23	710,12	650,77	10,969
2437,00	319,04	65,72	75,43	707,79	650,22	10,877
2438,00	318,66	65,89	75,73	706,43	644,44	10,877
2439,00	318,00	65,81	75,56	705,31	643,63	10,876
2440,00	317,61	65,55	75,43	702,93	644,47	10,876
2441,00	318,26	65,78	75,26	700,83	645,36	10,776
2442,00	318,51	65,81	75,22	698,27	646,42	10,785
2443,00	319,29	65,57	75,38	696,15	646,70	10,776
2444,00	318,65	65,68	75,13	692,01	644,29	10,776
2445,00	316,75	65,52	75,05	688,72	644,68	10,776
2446,00	316,37	65,51	74,82	686,55	645,00	10,676
2447,00	315,30	65,53	74,73	684,34	645,79	10,676
2448,00	315,38	65,71	74,85	681,57	644,14	10,675
2449,00	313,98	65,41	75,08	679,36	643,36	10,675
2450,00	313,93	65,67	74,91	676,51	644,96	10,646
2451,00	312,56	65,56	75,21	675,01	645,45	10,575

2452,00	312,48	65,46	75,40	673,65	644,42	10,575
2453,00	312,46	65,58	75,22	671,86	645,85	10,575
2454,00	311,44	65,36	75,27	670,93	643,76	10,534
2455,00	311,93	65,60	75,16	668,83	642,84	10,474
2456,00	310,72	65,38	75,09	667,86	643,49	10,474
2457,00	309,09	65,70	75,06	666,71	646,09	10,474
2458,00	309,03	65,64	75,03	665,25	640,76	10,475
2459,00	308,54	65,61	74,80	663,01	641,94	10,474
2460,00	307,70	65,59	74,65	662,05	642,99	10,390
2461,00	306,77	65,51	74,72	661,60	644,07	10,377
2462,00	307,04	65,45	74,62	659,63	641,37	10,377
2463,00	307,14	65,65	74,80	658,46	640,56	10,377
2464,00	308,10	65,55	74,64	658,71	642,02	10,377
2465,00	305,71	65,71	74,84	658,50	643,57	10,279
2466,00	305,21	65,52	74,93	658,07	642,84	10,277
2467,00	304,12	65,50	74,99	657,35	642,12	10,277
2468,00	303,89	65,50	74,94	657,55	643,67	10,277
2469,00	303,41	65,57	74,84	656,08	638,92	10,277
2470,00	303,18	65,48	74,45	654,88	638,85	10,277
2471,00	303,42	65,52	74,68	654,29	639,59	10,276
2472,00	303,01	65,67	74,57	653,52	639,26	10,176
2473,00	302,41	65,48	74,44	653,13	639,87	10,176
2474,00	299,98	65,43	74,48	653,25	637,74	10,176
2475,00	300,13	65,44	74,37	652,48	637,11	10,091
2476,00	301,51	65,44	74,21	652,18	636,39	10,076
2477,00	299,75	65,64	74,77	651,53	635,72	10,076
2478,00	298,99	65,63	74,64	651,44	637,24	10,076
2479,00	299,52	66,12	74,77	651,17	634,96	10,075
2480,00	297,99	65,77	74,89	650,79	635,56	10,076
2481,00	299,24	65,97	74,91	648,49	635,41	10,076
2482,00	299,88	65,45	74,74	646,39	633,63	9,975
2483,00	298,62	65,74	74,59	645,94	636,41	9,975
2484,00	297,23	65,69	74,49	645,65	635,20	9,975
2485,00	297,68	65,48	74,27	644,79	634,13	9,975
2486,00	297,17	65,43	74,27	643,86	634,96	9,975
2487,00	296,17	65,48	74,29	643,21	635,13	9,875
2488,00	295,12	65,56	74,10	642,40	632,84	9,875
2489,00	293,92	65,37	73,96	641,37	631,44	9,874
2490,00	295,05	65,52	73,89	640,64	632,04	9,875
2491,00	294,73	65,50	73,77	639,95	629,27	9,875
2492,00	294,10	65,46	74,39	639,57	631,74	9,774
2493,00	293,71	65,91	74,29	639,63	631,93	9,774
2494,00	293,50	65,53	74,55	639,45	628,78	9,774
2495,00	294,26	65,71	74,68	638,84	629,74	9,774
2496,00	293,22	65,87	74,39	638,87	628,17	9,774
2497,00	292,30	65,65	74,23	638,55	628,52	9,726
2498,00	292,40	65,75	74,17	638,84	628,66	9,677
2499,00	292,70	65,61	74,17	639,65	631,26	9,677
2500,00	292,15	65,61	74,20	639,83	631,23	9,677
2501,00	292,15	65,61	74,13	639,36	632,54	9,677
2502,00	291,82	65,44	73,99	638,53	629,09	9,677
2503,00	291,86	65,51	73,91	637,75	629,42	9,577
2504,00	290,84	65,60	73,81	637,68	628,97	9,576
2505,00	290,81	65,56	73,58	637,52	628,61	9,576
2506,00	292,03	65,80	74,49	636,82	628,62	9,576

2507,00	291,45	65,86	74,07	636,62	627,55	9,576
2508,00	290,07	65,58	74,32	636,05	625,75	9,548
2509,00	290,09	65,56	74,45	636,29	625,34	9,476
2510,00	288,42	65,53	74,29	636,09	623,55	9,476
2511,00	288,56	65,65	73,97	636,03	624,80	9,476
2512,00	287,97	65,57	74,04	636,47	625,98	9,476
2513,00	287,77	65,32	74,05	636,95	624,22	9,375
2514,00	288,39	65,51	73,87	638,23	624,84	9,375
2515,00	289,07	65,45	73,70	639,53	627,13	9,375
2516,00	288,27	65,43	73,63	639,79	621,99	9,375
2517,00	287,88	65,56	73,67	640,32	620,90	9,275
2518,00	288,16	65,63	73,78	640,29	620,40	9,275
2519,00	287,87	65,71	73,78	639,49	620,03	9,372
2520,00	286,39	65,41	74,37	638,72	618,04	9,275
2521,00	286,37	65,78	73,87	637,74	618,80	9,275
2522,00	286,40	65,77	74,27	636,70	618,47	9,275
2523,00	286,94	65,57	74,20	635,96	617,60	9,204
2524,00	285,90	65,85	74,25	634,89	617,27	9,174
2525,00	285,42	65,81	74,07	633,53	617,34	9,174
2526,00	285,18	65,49	73,93	632,80	616,82	9,174
2527,00	284,82	65,50	73,96	631,93	616,27	9,174
2528,00	285,47	65,56	73,78	630,59	616,36	9,174
2529,00	284,73	65,55	73,82	630,17	615,55	9,074
2530,00	284,68	65,47	73,60	629,78	616,98	9,074
2531,00	285,05	65,61	73,59	630,41	618,76	9,074
2532,00	284,86	65,58	73,52	630,95	617,85	9,074
2533,00	284,43	65,42	73,49	630,82	617,36	9,074
2534,00	284,30	65,56	73,58	630,53	617,52	9,074
2535,00	283,42	65,43	74,01	630,30	615,24	8,978
2536,00	283,89	65,94	73,92	629,75	614,03	8,976
2537,00	284,19	65,67	74,14	629,62	615,82	9,072
2538,00	284,17	65,69	74,01	629,60	613,45	8,977
2539,00	283,45	65,43	73,90	629,65	612,72	8,965
2540,00	282,91	65,61	73,75	629,68	613,04	8,934
2541,00	283,19	65,37	73,76	630,51	612,70	8,877
2542,00	283,01	65,54	73,55	631,67	611,95	8,876
2543,00	282,61	65,46	73,66	633,25	612,78	8,876
2544,00	281,60	65,44	73,39	634,26	609,89	8,876
2545,00	281,14	65,48	73,31	634,80	607,97	8,876
2546,00	281,25	65,40	73,23	634,56	607,23	8,874
2547,00	282,29	65,53	73,19	634,17	606,30	8,775
2548,00	281,98	65,41	73,59	633,63	603,85	8,775
2549,00	281,70	65,63	73,83	632,69	602,98	8,776
2550,00	280,70	65,83	73,77	631,67	602,00	8,776
2551,00	281,03	65,59	73,85	630,88	602,01	8,775
2552,00	281,41	65,65	74,10	630,08	601,21	8,675
2553,00	281,75	65,57	73,98	629,50	601,72	8,675
2554,00	280,64	65,64	73,79	628,72	601,16	8,675
2555,00	280,58	65,68	73,72	628,15	600,55	8,675
2556,00	280,60	65,63	73,67	627,23	600,08	8,675
2557,00	280,47	65,37	73,72	627,05	595,36	8,575
2558,00	280,40	65,13	73,55	627,01	594,05	8,659
2559,00	279,47	65,35	73,62	626,73	593,50	8,574
2560,00	279,35	65,41	73,34	626,37	593,42	8,575
2561,00	279,33	65,42	73,13	625,85	592,32	8,574

2562,00	280,04	65,43	73,38	625,23	591,04	8,575
2563,00	279,44	65,36	73,73	624,36	586,96	8,575
2564,00	279,22	65,62	73,65	625,14	586,31	8,474
2565,00	278,89	65,52	73,60	626,95	586,85	8,474
2566,00	278,91	65,56	73,77	627,44	585,51	8,474
2567,00	279,10	65,42	73,64	627,73	586,34	8,474
2568,00	278,62	65,42	73,43	627,79	585,41	8,474
2569,00	277,40	65,22	73,45	626,96	585,47	8,396
2570,00	278,76	65,39	73,29	626,96	583,33	8,373
2571,00	277,80	65,57	73,39	627,32	582,12	8,474
2572,00	278,24	65,24	73,23	627,95	580,69	8,374
2573,00	277,81	65,26	73,29	627,91	580,01	8,374
2574,00	277,36	65,26	73,16	628,22	580,31	8,374
2575,00	277,34	65,18	73,10	629,04	580,33	8,303
2576,00	276,59	65,59	73,75	629,64	580,95	8,276
2577,00	277,47	65,38	73,38	630,45	582,25	8,276
2578,00	276,15	65,53	73,74	630,80	582,33	8,276
2579,00	275,56	65,34	73,77	630,97	581,74	8,276
2580,00	276,83	65,65	73,75	630,70	581,29	8,276
2581,00	277,52	65,53	73,59	630,08	581,34	8,176
2582,00	276,77	65,48	73,43	629,96	581,58	8,276
2583,00	276,09	65,50	73,37	629,38	580,74	8,176
2584,00	275,21	65,56	73,30	628,72	580,05	8,176
2585,00	275,59	65,20	73,26	628,18	580,57	8,176
2586,00	274,32	65,37	73,07	627,29	575,58	8,176
2587,00	275,30	65,35	73,11	628,13	573,92	8,166
2588,00	275,83	65,02	72,95	628,62	573,12	8,075
2589,00	274,83	65,32	72,81	628,29	572,41	8,140
2590,00	274,73	65,31	73,50	629,44	571,86	8,075
2591,00	274,10	65,48	72,93	629,62	573,09	8,075
2592,00	273,60	65,64	73,47	628,61	574,27	8,075
2593,00	272,76	65,63	73,56	628,05	572,65	8,075
2594,00	272,53	65,46	73,52	627,30	575,68	7,975
2595,00	273,51	65,35	73,43	627,59	574,59	7,993
2596,00	273,65	65,51	73,46	627,32	573,12	7,975
2597,00	273,38	65,23	73,25	626,08	573,58	7,975
2598,00	272,38	65,36	73,19	626,18	572,77	7,975
2599,00	272,27	65,35	73,10	625,53	573,76	7,916
2600,00	272,11	65,33	73,01	624,76	572,59	7,975
2601,00	271,04	65,39	72,88	624,36	572,69	7,937
2602,00	271,37	65,19	72,79	624,73	571,27	7,975
2603,00	270,78	65,38	72,82	624,47	571,35	7,874
2604,00	271,17	65,32	73,39	624,42	572,51	7,874
2605,00	270,62	65,81	73,29	624,31	571,91	7,874
2606,00	269,79	65,45	73,46	623,57	570,74	7,874
2607,00	269,98	65,65	73,46	623,90	572,10	7,774
2608,00	270,14	65,48	73,26	623,66	572,43	7,774
2609,00	270,34	65,12	73,24	623,56	572,36	7,774
2610,00	269,19	65,27	73,10	623,24	572,37	7,774
2611,00	268,99	65,37	73,04	622,48	571,87	7,774
2612,00	269,45	65,36	72,90	621,46	571,51	7,774
2613,00	268,48	65,30	72,91	621,22	570,70	7,774
2614,00	268,49	65,16	72,86	620,81	570,32	7,673
2615,00	268,23	65,11	72,62	620,45	569,33	7,673
2616,00	268,18	65,22	72,75	619,50	569,49	7,673

2617,00	267,89	65,29	73,72	619,96	569,54	7,673
2618,00	268,43	65,67	72,94	619,67	570,49	7,673
2619,00	266,73	65,25	73,29	619,07	571,40	7,673
2620,00	267,53	65,56	73,34	617,79	570,06	7,607
2621,00	267,48	65,56	73,34	616,36	570,33	7,617
2622,00	266,46	65,36	73,22	616,87	570,51	7,576
2623,00	265,88	65,39	73,17	616,35	569,99	7,576
2624,00	266,77	65,33	73,02	616,03	568,36	7,576
2625,00	266,52	65,07	72,93	615,71	568,50	7,576
2626,00	266,50	65,15	72,73	614,72	568,75	7,475
2627,00	266,42	65,12	72,57	613,58	568,28	7,476
2628,00	266,13	65,22	72,62	612,65	566,66	7,576
2629,00	266,12	65,24	72,52	611,53	567,28	7,475
2630,00	266,71	65,37	73,04	611,18	566,90	7,476
2631,00	266,07	65,39	72,84	611,22	568,35	7,475
2632,00	265,98	65,33	73,19	611,19	568,42	7,375
2633,00	265,38	65,59	73,25	611,51	568,81	7,375
2634,00	265,29	65,17	73,28	612,68	568,68	7,375
2635,00	264,42	65,30	73,10	613,69	570,29	7,375
2636,00	264,67	65,39	73,01	614,14	569,49	7,375
2637,00	263,60	65,19	72,81	614,48	569,07	7,375
2638,00	264,65	65,13	72,87	614,57	569,93	7,375
2639,00	265,31	65,12	72,63	615,08	569,97	7,375
2640,00	265,05	64,85	72,63	614,98	568,91	7,347
2641,00	264,71	65,08	72,47	614,78	567,57	7,274
2642,00	263,90	65,07	72,45	614,26	567,92	7,275
2643,00	263,14	65,17	73,02	613,96	567,02	7,275
2644,00	262,52	65,38	72,76	613,37	566,88	7,274
2645,00	263,47	65,08	73,10	612,74	566,83	7,275
2646,00	264,43	65,32	73,10	613,81	565,95	7,206
2647,00	263,97	65,42	73,21	613,45	566,02	7,182
2648,00	262,16	65,32	73,01	612,98	565,29	7,214
2649,00	262,41	65,30	72,74	612,34	564,03	7,174
2650,00	262,52	65,05	72,85	611,92	564,28	7,174
2651,00	262,47	65,10	72,76	611,46	564,18	7,174
2652,00	262,24	65,14	72,65	611,34	564,33	7,174
2653,00	262,13	65,15	72,46	611,60	564,31	7,073
2654,00	263,15	64,97	72,49	610,75	562,68	7,073
2655,00	262,05	65,02	72,35	610,11	562,93	7,073
2656,00	261,87	65,20	73,11	609,66	562,28	7,074
2657,00	262,67	65,51	72,56	609,35	562,95	7,074
2658,00	263,00	65,20	73,10	609,22	562,95	7,073
2659,00	262,10	65,53	73,12	608,75	561,37	7,074
2660,00	261,91	65,24	73,13	607,69	558,29	7,073
2661,00	262,09	65,36	72,99	607,86	557,16	7,074
2662,00	262,26	65,14	72,87	610,13	557,85	6,974
2663,00	261,98	65,01	72,77	611,97	557,71	6,973
2664,00	261,10	65,22	72,67	612,08	557,11	6,973
2665,00	261,00	65,15	72,60	612,13	556,98	6,973
2666,00	260,91	65,04	72,42	612,65	557,04	6,973
2667,00	260,96	64,95	72,50	612,26	556,63	6,973
2668,00	261,03	65,12	72,19	611,62	557,65	6,973
2669,00	261,72	65,17	73,02	611,41	556,07	6,973
2670,00	261,36	65,36	72,72	610,38	555,57	6,876
2671,00	260,94	65,34	73,04	609,49	555,76	6,876

2672,00	260,62	65,53	73,06	608,82	554,18	6,876
2673,00	260,86	65,55	72,98	608,47	554,21	6,876
2674,00	260,73	65,31	72,80	607,65	552,69	6,876
2675,00	261,30	65,35	72,80	607,02	552,24	6,775
2676,00	260,44	65,17	72,57	605,75	551,80	6,775

Temps
acquisition
de données

Flue	Room	Tunnel	Catalyst down	Catalyst up	scale
temp	temp	dry bulb	apres	avant	
°F	°F	°F	°F	°F	lbs

2677,00	81,13	65,08	71,26	85,85	98,37	7,4754
2678,00	105,97	65,15	78,06	108,69	119,02	7,4755
2679,00	158,81	64,90	96,61	181,90	193,56	7,2495
2680,00	321,30	65,11	163,49	336,56	373,48	6,8756
2681,00	404,85	65,27	212,79	367,89	426,03	6,4737
2682,00	412,10	65,22	140,33	522,18	627,79	6,1753
2683,00	395,19	65,35	113,51	533,13	612,03	5,9744
2684,00	392,19	65,25	108,48	596,77	656,87	5,7734
2685,00	402,17	65,34	107,19	628,64	667,41	5,6730
2686,00	406,38	65,35	106,75	610,59	646,49	5,4751
2687,00	412,75	65,38	107,37	648,75	697,83	5,2742
2688,00	437,46	65,17	109,80	753,67	815,21	5,0732
2689,00	456,88	65,25	111,41	751,29	806,11	4,8721
2690,00	460,47	65,13	112,14	728,79	751,66	4,6994
2691,00	462,76	65,25	112,93	722,57	758,69	4,5739
2692,00	469,37	65,48	114,73	702,78	760,03	4,3729
2693,00	472,24	65,55	115,08	686,92	737,49	4,2725
2694,00	475,67	65,58	116,66	689,41	736,58	4,1004
2695,00	479,77	65,63	117,68	686,25	749,99	3,9741
2696,00	466,83	65,82	145,88	653,38	761,33	3,7732
2697,00	480,67	66,22	122,87	694,93	751,24	3,6727
2698,00	480,04	66,13	120,12	676,14	714,67	3,4717
2699,00	476,58	66,03	118,84	660,75	681,05	3,3745
2700,00	470,74	66,19	117,89	641,45	641,32	3,2740
2701,00	463,40	66,29	116,95	617,07	609,79	3,2739
2702,00	456,60	66,35	116,22	601,94	595,11	3,1735
2703,00	452,16	66,33	115,63	592,16	586,60	3,0730
2704,00	448,83	66,26	115,29	593,37	597,17	2,9724
2705,00	448,24	66,40	114,48	603,68	608,50	2,8720
2706,00	452,43	66,43	115,70	616,17	625,00	2,8468
2707,00	463,68	66,45	139,25	516,38	553,47	2,6743
2708,00	490,71	66,49	130,82	531,44	580,86	2,5738
2709,00	505,68	66,59	131,37	542,27	586,03	2,3728
2710,00	509,50	66,48	131,62	545,47	575,71	2,2723
2711,00	514,91	66,60	132,40	544,57	568,80	2,1718
2712,00	517,98	66,60	133,11	543,14	561,05	2,0713
2713,00	521,56	66,57	133,89	540,83	558,69	1,9740
2714,00	497,15	66,65	125,97	598,61	659,91	1,8736
2715,00	481,09	66,44	170,99	540,33	569,42	3,6700
2716,00	450,01	66,66	140,95	588,99	666,58	1,6725
2717,00	474,97	66,58	126,21	648,68	728,42	1,4716
2718,00	482,41	66,54	123,47	662,82	725,86	1,4715
2719,00	483,13	66,54	122,03	661,84	710,46	1,3711
2720,00	482,04	66,42	121,10	662,53	700,80	1,2739
2721,00	438,96	66,77	220,11	466,55	476,82	13,2354
2722,00	383,42	66,77	231,46	396,19	341,12	15,3768
2723,00	493,96	66,69	302,00	579,05	461,13	14,9780
2724,00	596,97	66,58	275,60	616,98	650,52	14,3780
2725,00	553,57	66,61	175,89	749,34	798,84	14,0768
2726,00	566,96	66,84	159,61	866,54	#####	13,7783

2727,00	600,99	66,52	155,41	#####	927,87	13,4769
2728,00	629,01	66,92	154,45	1025,94	982,37	13,1511
2729,00	647,04	66,89	153,71	1107,25	1144,42	12,7763
2730,00	664,85	66,81	153,65	1190,19	1127,58	12,4781
2731,00	684,24	66,70	155,29	1217,92	1035,21	12,1768
2732,00	700,89	66,92	157,07	1232,18	1050,36	11,8750
2733,00	661,69	66,86	128,26	1254,19	878,71	11,6772
2734,00	646,77	66,91	118,38	1272,01	738,06	11,4763
2735,00	637,33	66,84	114,89	1215,52	667,56	11,3758
2736,00	627,04	66,86	112,76	1173,53	645,70	11,2752
2737,00	617,77	66,85	111,86	1159,40	655,22	11,1748
2738,00	606,56	66,92	110,93	1148,63	688,13	10,9770
2739,00	598,49	67,08	109,71	1146,47	733,13	10,8764
2740,00	594,10	66,97	109,66	1139,67	799,53	10,7760
2741,00	593,90	67,01	109,50	1138,53	921,85	10,6755
2742,00	594,50	66,99	108,67	1143,37	1024,20	10,5749
2743,00	595,21	67,14	108,41	1154,47	1188,35	10,3771
2744,00	594,79	67,02	108,23	1147,04	1285,84	10,2767
2745,00	594,71	67,07	107,57	1142,86	1304,08	10,1762
2746,00	594,20	67,06	106,94	1134,96	1277,42	10,0758
2747,00	595,60	67,03	106,89	1127,27	1194,77	9,8748
2748,00	598,02	67,00	107,06	1169,44	1063,23	9,7741
2749,00	599,88	67,11	107,01	1181,53	1115,55	9,6768
2750,00	599,55	67,11	106,82	1164,72	1153,13	9,4758
2751,00	600,53	67,24	106,43	1142,12	1178,35	9,3752
2752,00	599,62	67,38	106,04	1125,69	1204,34	9,2749
2753,00	598,01	67,28	105,94	1116,41	1246,58	9,1745
2754,00	598,15	67,32	106,06	1123,13	1265,23	9,0740
2755,00	598,81	67,35	105,95	1138,03	1283,77	8,8760
2756,00	601,65	67,76	105,85	1144,20	1289,05	8,7756
2757,00	603,29	67,57	106,26	1153,73	1295,15	8,5745
2758,00	604,05	67,43	106,19	1157,60	1290,07	8,4741
2759,00	605,00	67,34	106,21	1161,45	1294,57	8,3734
2760,00	606,03	67,35	106,58	1163,49	1297,13	8,1759
2761,00	607,15	67,31	106,55	1165,24	1285,37	8,0752
2762,00	609,22	67,28	106,20	1162,62	1336,61	7,9628
2763,00	609,46	67,61	106,49	1164,52	1383,59	7,7738
2764,00	613,38	67,83	106,51	1167,63	1398,99	7,6734
2765,00	615,09	67,60	106,49	1178,25	1421,28	7,4755
2766,00	618,49	67,48	106,29	1186,60	1422,41	7,3751
2767,00	621,03	67,49	106,91	1196,99	1440,31	7,1741
2768,00	623,36	67,54	106,83	1200,68	1452,93	7,0735
2769,00	625,40	67,58	106,63	1205,37	1453,19	6,9072
2770,00	627,15	67,74	106,65	1207,34	1453,09	6,7753
2771,00	628,27	67,66	106,48	1206,75	1431,51	6,6747
2772,00	629,22	67,47	106,18	1204,42	1421,42	6,5742
2773,00	630,08	67,46	106,18	1198,66	1425,30	6,4738
2774,00	630,46	67,61	105,85	1194,57	1403,82	6,3733
2775,00	628,82	67,43	105,80	1191,87	1389,58	6,1755
2776,00	628,27	67,52	106,51	1181,49	1374,56	6,0750
2777,00	627,67	67,51	105,61	1180,66	1366,66	5,9744
2778,00	626,46	67,43	105,80	1179,11	1356,20	5,8741
2779,00	625,99	67,51	105,77	1174,91	1363,77	5,7736
2780,00	623,86	67,49	105,71	1166,56	1320,74	5,6729
2781,00	620,67	67,35	104,70	1153,08	1196,66	5,5725

2782,00	622,23	67,40	103,99	1211,04	1137,80	5,4752
2783,00	624,76	67,52	104,81	1213,67	1171,98	5,3747
2784,00	621,86	67,40	104,94	1135,73	1176,64	5,2743
2785,00	618,57	67,35	104,88	1104,28	1161,78	5,1737
2786,00	615,11	67,29	104,59	1078,07	1110,42	5,0733
2787,00	611,06	67,42	103,96	1062,27	1074,63	4,9728
2788,00	607,59	67,40	103,46	1048,13	1059,59	4,9347
2789,00	604,36	67,26	103,27	1034,35	1061,03	4,8723
2790,00	600,58	67,73	103,36	1024,54	1029,71	4,7750
2791,00	597,81	67,70	102,81	1034,87	881,79	4,6745
2792,00	593,48	67,86	102,61	1029,75	859,81	4,6745
2793,00	590,15	67,71	102,02	1018,87	865,95	4,5741
2794,00	586,16	67,71	101,88	1008,49	866,81	4,4735
2795,00	582,53	67,59	101,65	999,24	920,07	4,4735
2796,00	669,26	67,74	338,34	732,62	634,20	8,4293
2797,00	545,04	67,65	353,59	551,99	418,20	17,8000
2798,00	568,83	67,22	302,88	656,20	638,84	16,8780
2799,00	708,87	67,19	234,98	885,58	1178,58	16,4795
2800,00	673,32	67,21	162,19	991,91	966,00	16,2782
2801,00	674,54	66,89	145,94	978,76	841,68	16,1778
2802,00	628,93	67,20	120,03	1096,79	794,26	15,9769
2803,00	603,00	67,05	111,10	1099,89	723,23	15,9629
2804,00	588,96	66,96	104,88	1070,50	673,74	15,8797
2805,00	577,71	66,94	102,57	1048,76	644,39	15,7792
2806,00	568,66	66,76	101,31	1035,59	625,81	15,7585
2807,00	561,19	66,69	99,74	1026,08	614,97	15,6785
2808,00	555,29	66,46	98,72	1018,35	606,95	15,5781
2809,00	550,01	66,56	98,04	1020,30	602,38	15,4777
2810,00	545,39	66,40	97,21	1028,21	602,88	15,3771
2811,00	539,67	67,00	96,11	1038,82	624,59	15,3768
2812,00	534,79	67,15	95,65	1079,97	644,73	15,2763
2813,00	531,17	67,22	95,41	1087,86	660,11	15,1790
2814,00	528,25	67,09	94,69	1085,83	656,69	15,0788
2815,00	525,13	67,39	94,70	1078,65	647,36	14,9782
2816,00	521,99	67,43	94,20	1081,04	658,37	14,8777
2817,00	518,89	67,51	93,90	1084,58	669,68	14,8778
2818,00	516,99	67,34	94,04	1121,63	683,92	14,6765
2819,00	515,85	67,43	92,88	1154,86	734,43	14,5761
2820,00	514,08	67,42	92,78	1167,44	756,04	14,4789
2821,00	513,11	67,57	92,48	1164,25	736,69	14,4788
2822,00	511,33	67,35	92,42	1155,22	744,82	14,3782
2823,00	510,13	67,65	92,33	1181,92	748,52	14,1774
2824,00	510,14	67,62	92,49	1205,85	789,90	14,0767
2825,00	512,10	67,56	92,08	1230,58	846,95	13,9763
2826,00	512,39	67,50	91,60	1237,94	863,78	13,7786
2827,00	512,32	67,55	91,62	1251,20	848,50	13,6779
2828,00	512,84	67,53	91,51	1257,82	841,18	13,5775
2829,00	514,00	67,57	90,66	1264,14	839,73	13,4770
2830,00	514,61	67,45	90,61	1268,29	846,09	13,3764
2831,00	515,45	67,50	90,29	1266,46	849,77	13,1754
2832,00	515,33	67,67	90,67	1261,06	888,41	13,0782
2833,00	515,98	67,50	89,83	1275,64	900,46	13,0730
2834,00	516,90	67,38	89,67	1288,73	917,57	12,8772
2835,00	515,42	67,42	89,75	1259,18	958,94	12,7765
2836,00	514,62	67,56	89,69	1222,76	941,88	12,6758

2837,00	514,38	67,44	89,66	1217,03	933,08	12,5755
2838,00	513,52	67,46	89,43	1222,07	973,02	12,5660
2839,00	514,31	67,31	89,52	1232,67	907,84	12,3776
2840,00	515,00	67,35	90,00	1242,28	878,80	12,2774
2841,00	516,92	67,45	90,27	1238,21	899,25	12,1767
2842,00	516,34	67,29	90,36	1210,61	928,13	11,9756
2843,00	517,38	67,57	90,49	1194,05	952,15	11,8753
2844,00	518,78	67,43	90,34	1147,89	1016,92	11,6774
2845,00	518,91	67,47	90,03	1133,80	990,10	11,5770
2846,00	518,20	67,48	90,14	1118,20	1033,61	11,4765
2847,00	517,52	67,68	90,01	1138,41	974,35	11,2754
2848,00	517,88	67,56	89,44	1145,07	918,98	11,1747
2849,00	518,52	67,77	89,39	1099,96	1270,27	11,0777
2850,00	517,65	67,83	89,91	1070,98	1325,00	10,9772
2851,00	516,73	67,81	89,20	1065,61	1343,55	10,7762
2852,00	515,50	67,73	88,74	1070,62	1338,99	10,7762
2853,00	513,42	67,88	88,37	1066,90	1339,83	10,5750
2854,00	512,31	67,76	88,65	1064,36	1352,49	10,5507
2855,00	509,62	67,72	88,59	1061,35	1346,54	10,4745
2856,00	507,55	67,69	88,25	1059,89	1351,94	10,3774
2857,00	506,56	67,71	88,32	1058,95	1339,46	10,2767
2858,00	504,81	67,66	88,20	1054,42	1337,98	10,1764
2859,00	502,80	67,77	88,25	1051,25	1338,83	10,0759
2860,00	501,16	67,62	87,90	1049,19	1324,88	9,9752
2861,00	498,99	67,69	87,81	1045,39	1314,87	9,9752
2862,00	497,73	67,71	87,64	1044,82	1277,79	9,8041
2863,00	495,82	67,65	87,43	1038,82	1292,01	9,7743
2864,00	493,87	67,55	87,61	1033,53	1311,65	9,6770
2865,00	492,81	67,65	87,21	1033,84	1298,96	9,5764
2866,00	490,87	67,59	87,37	1069,35	1023,73	9,5765
2867,00	490,85	67,64	87,05	1150,80	930,53	9,4760
2868,00	491,76	67,64	87,60	1174,94	1209,79	9,3754
2869,00	491,95	67,66	87,22	1122,39	1305,66	9,2750
2870,00	492,28	67,63	87,50	1090,38	1368,73	9,1744
2871,00	491,84	67,61	87,46	1075,86	1358,16	9,0739
2872,00	490,41	67,71	87,42	1063,42	1335,82	8,9767
2873,00	490,05	67,57	86,97	1053,45	1220,48	8,8829
2874,00	488,70	67,54	86,94	1086,73	1061,92	8,8761
2875,00	488,88	67,62	87,03	1105,36	985,03	8,7757
2876,00	488,09	67,62	87,37	1126,14	960,69	8,6752
2877,00	489,36	67,63	86,93	1140,31	960,90	8,5919
2878,00	489,13	67,65	87,09	1149,07	984,34	8,4741
2879,00	489,54	67,89	86,69	1156,79	1020,01	8,3844
2880,00	489,25	67,57	86,98	1170,68	1013,12	8,3737
2881,00	490,11	67,79	86,94	1153,30	1118,05	8,1758
2882,00	491,35	67,65	86,99	1158,33	1038,91	8,0755
2883,00	491,96	67,74	86,82	1167,70	973,89	7,9945
2884,00	492,68	67,71	86,47	1170,28	1000,84	7,9748
2885,00	493,10	67,67	86,49	1173,30	953,62	7,8744
2886,00	493,87	67,58	86,85	1182,25	942,06	7,7737
2887,00	494,07	67,58	86,55	1185,81	938,12	7,6733
2888,00	494,89	67,68	86,58	1185,75	936,84	7,5761
2889,00	494,68	67,48	86,12	1183,60	932,72	7,4755
2890,00	494,06	67,70	86,69	1183,36	920,98	7,3750
2891,00	494,59	67,71	86,65	1182,34	919,32	7,3751

2892,00	495,90	67,74	86,60	1180,55	912,30	7,2745
2893,00	496,15	67,66	86,67	1179,66	905,76	7,1740
2894,00	495,18	67,60	86,67	1179,21	900,82	7,0735
2895,00	495,79	67,61	86,11	1177,00	896,33	6,9732
2896,00	496,14	67,68	86,48	1176,83	896,17	6,8757
2897,00	496,46	67,82	86,63	1176,31	891,72	6,8758
2898,00	496,29	67,82	86,32	1174,05	892,12	6,7752
2899,00	496,37	67,96	86,21	1170,74	887,90	6,6747
2900,00	495,47	67,90	85,96	1167,57	886,61	6,5743
2901,00	496,33	67,97	86,28	1162,99	881,20	6,5743
2902,00	495,18	67,83	86,35	1158,60	876,39	6,4737
2903,00	495,84	67,87	86,06	1153,19	874,22	6,3733
2904,00	495,40	67,86	86,27	1145,22	870,05	6,2727
2905,00	494,24	67,76	85,99	1136,97	865,71	6,2728
2906,00	493,00	67,86	86,16	1128,64	861,99	6,1755
2907,00	492,23	67,92	86,25	1122,70	860,14	6,0750
2908,00	490,41	67,85	85,89	1118,50	856,80	6,0464
2909,00	489,06	67,97	85,70	1113,85	857,02	5,9746
2910,00	488,68	67,77	86,04	1117,36	860,68	5,8740
2911,00	489,50	67,88	85,85	1161,30	918,94	5,7735
2912,00	489,72	67,93	85,63	1190,02	939,51	5,7736
2913,00	490,82	67,91	85,49	1205,37	945,46	5,6731
2914,00	491,32	67,78	85,82	1214,46	947,44	5,6731
2915,00	491,47	67,95	85,64	1219,04	948,34	5,5725
2916,00	492,28	67,92	85,80	1221,60	948,48	5,4752
2917,00	492,02	68,00	85,52	1223,47	948,66	5,4752
2918,00	492,78	67,92	85,42	1224,84	949,25	5,3746
2919,00	493,31	68,01	85,55	1225,94	951,47	5,2743
2920,00	493,21	67,98	85,35	1226,52	954,55	5,2742
2921,00	493,56	68,21	85,47	1210,09	936,59	5,1738
2922,00	492,95	68,09	85,56	1164,34	888,11	5,0732
2923,00	492,66	68,01	85,53	1164,43	904,98	5,0732
2924,00	492,19	67,90	85,50	1191,28	946,74	4,9727
2925,00	493,65	68,00	85,71	1206,77	961,88	4,9727
2926,00	494,38	67,99	85,66	1215,81	973,77	4,8722
2927,00	495,88	67,97	85,68	1218,66	979,66	4,7750
2928,00	495,16	67,99	85,81	1220,99	983,53	4,6745
2929,00	495,70	67,96	85,95	1222,59	986,13	4,6744
2930,00	497,11	67,93	85,54	1224,57	990,34	4,5741
2931,00	498,21	67,89	85,60	1226,26	994,04	4,5739
2932,00	497,97	67,90	85,51	1207,87	972,95	4,4735
2933,00	497,55	67,82	85,66	1190,54	934,20	4,3730
2934,00	498,14	67,96	85,13	1183,78	924,39	4,2726
2935,00	496,58	67,96	85,36	1172,73	912,80	4,2725
2936,00	495,91	68,04	85,23	1158,74	899,60	4,1719
2937,00	494,38	68,00	85,24	1147,13	891,32	4,1720
2938,00	492,93	68,00	85,20	1129,36	880,27	4,0747
2939,00	491,16	68,03	85,27	1111,11	864,49	4,0747
2940,00	490,01	67,93	85,35	1093,09	852,60	3,9742
2941,00	488,25	67,99	84,78	1063,11	846,83	3,932
2942,00	484,74	68,05	84,86	1031,38	835,60	3,874
2943,00	481,69	67,94	84,93	1005,11	826,05	3,874
2944,00	479,44	67,93	84,86	981,07	815,00	3,773
2945,00	476,96	67,93	84,65	959,07	803,52	3,773
2946,00	473,26	68,03	84,51	940,15	797,24	3,676

2947,00	470,23	68,07	84,68	924,56	790,19	3,673
2948,00	467,23	67,99	84,35	909,22	783,59	3,673
2949,00	464,27	67,98	84,22	892,98	776,78	3,673
2950,00	460,06	67,97	84,22	875,87	761,15	3,592
2951,00	455,94	67,93	84,15	861,57	750,94	3,572
2952,00	453,03	67,89	84,01	847,74	746,74	3,562
2953,00	449,63	67,81	83,77	836,41	744,38	3,472
2954,00	446,73	67,87	83,58	826,57	741,32	3,472
2955,00	442,53	67,84	83,47	819,89	735,54	3,472
2956,00	439,41	67,86	83,48	814,32	733,27	3,472
2957,00	436,23	67,85	83,18	810,50	726,66	3,374
2958,00	433,38	67,81	83,21	804,11	722,92	3,375
2959,00	430,43	67,88	83,08	797,56	723,22	3,374
2960,00	427,61	67,84	83,17	793,88	721,02	3,274
2961,00	424,57	67,87	82,93	790,59	721,24	3,274
2962,00	421,48	67,87	82,96	785,95	721,57	3,274
2963,00	419,24	68,00	82,71	781,70	720,20	3,274
2964,00	416,85	67,83	82,60	777,22	720,76	3,174
2965,00	414,06	67,91	82,34	773,83	720,80	3,173
2966,00	412,34	67,86	82,11	771,23	722,94	3,173
2967,00	409,96	67,90	82,01	768,90	720,55	3,173
2968,00	407,38	67,91	82,06	761,81	719,88	3,073
2969,00	404,36	67,88	81,76	756,27	718,75	3,073
2970,00	401,97	67,90	81,68	752,14	717,08	3,073
2971,00	399,79	67,81	81,37	748,62	714,72	3,072
2972,00	397,00	67,93	81,34	745,69	710,28	2,972
2973,00	395,22	67,95	81,23	743,26	709,46	2,972
2974,00	393,44	67,89	81,01	741,36	707,31	2,972
2975,00	390,83	67,88	80,89	739,89	707,89	2,972
2976,00	389,28	67,94	80,70	739,59	706,03	2,872
2977,00	387,27	67,84	80,57	739,39	702,36	2,872
2978,00	385,38	67,93	80,56	739,80	699,75	2,872
2979,00	383,42	67,93	80,26	743,65	697,80	2,872
2980,00	381,98	67,96	80,36	745,56	696,46	2,872
2981,00	380,75	67,96	79,92	747,56	694,00	2,772
2982,00	379,43	67,97	79,73	750,35	695,07	2,772
2983,00	377,64	67,82	79,94	750,95	691,60	2,771
2984,00	376,35	67,85	79,87	751,29	690,78	2,771
2985,00	374,89	67,91	79,44	752,21	691,92	2,771
2986,00	374,19	67,90	79,54	753,42	691,46	2,674
2987,00	373,26	67,83	79,55	754,10	692,61	2,674
2988,00	372,12	67,91	79,21	755,26	692,54	2,674
2989,00	370,39	67,89	79,05	756,20	691,15	2,674
2990,00	369,40	67,82	79,15	756,76	687,79	2,674
2991,00	368,72	67,87	78,97	756,72	686,48	2,574
2992,00	368,36	67,85	78,86	756,65	685,01	2,574
2993,00	367,39	68,00	78,79	756,02	684,40	2,574
2994,00	366,55	67,89	79,10	756,42	685,92	2,574
2995,00	365,23	67,91	78,86	756,54	685,79	2,574
2996,00	364,12	67,95	78,62	756,26	684,10	2,481
2997,00	363,29	67,97	78,57	756,36	682,95	2,473
2998,00	362,61	67,93	78,41	756,15	683,39	2,473
2999,00	362,10	68,05	78,51	757,02	682,29	2,473
3000,00	360,77	67,96	78,57	758,26	684,01	2,473
3001,00	360,38	68,02	78,49	759,08	682,31	2,473

3002,00	360,33	67,90	78,51	761,07	682,61	2,373
3003,00	360,02	67,91	78,25	762,67	682,60	2,373
3004,00	358,90	67,99	78,02	764,79	681,02	2,373
3005,00	357,39	67,87	77,99	765,92	681,10	2,373
3006,00	356,83	67,89	78,14	767,73	679,50	2,311
3007,00	356,10	67,93	78,29	769,67	680,86	2,274
3008,00	356,49	67,82	77,99	771,02	679,20	2,272
3009,00	355,46	67,88	77,88	772,69	680,32	2,272
3010,00	355,72	67,82	77,76	770,30	679,71	2,172
3011,00	354,78	67,85	77,83	767,22	682,74	2,272
3012,00	354,33	67,86	77,88	764,39	681,69	2,271
3013,00	354,29	67,80	78,18	763,38	685,53	2,172
3014,00	353,46	67,81	77,87	762,84	680,53	2,172
3015,00	352,78	67,78	77,63	762,65	676,77	2,172
3016,00	353,46	67,84	77,74	763,02	676,06	2,071
3017,00	352,56	67,91	77,55	763,07	672,12	2,071
3018,00	351,79	67,84	77,54	763,08	670,67	2,071
3019,00	352,30	67,82	77,55	763,31	668,91	2,071
3020,00	352,14	67,89	77,51	764,25	667,43	2,071
3021,00	351,46	67,91	77,68	764,28	666,95	2,071
3022,00	350,78	67,75	77,16	763,96	667,27	1,974
3023,00	350,80	67,83	77,46	766,40	665,15	1,974
3024,00	349,45	67,80	77,40	767,89	659,72	1,974
3025,00	349,92	67,86	77,50	768,64	663,16	1,974
3026,00	348,99	67,79	77,38	768,93	659,79	1,873
3027,00	348,71	67,82	77,43	770,58	654,35	1,873
3028,00	349,63	67,76	77,09	770,66	655,18	1,873
3029,00	348,67	67,85	77,39	770,87	655,13	1,873
3030,00	349,45	67,62	77,09	774,81	652,91	1,873
3031,00	348,20	67,75	77,35	771,13	650,61	1,873
3032,00	348,50	67,84	77,17	769,87	648,57	1,845
3033,00	347,37	67,87	77,22	772,28	647,27	1,773
3034,00	347,02	67,85	77,04	772,86	643,22	1,773
3035,00	346,51	67,83	76,96	764,85	648,19	1,773
3036,00	346,33	67,82	77,15	738,85	657,07	1,773
3037,00	345,18	67,82	77,14	721,17	662,50	1,672
3038,00	344,89	67,81	77,04	710,91	666,08	1,672
3039,00	343,75	67,82	76,87	705,46	666,86	1,672
3040,00	342,56	67,82	77,06	703,69	669,65	1,672
3041,00	341,66	67,86	76,81	705,55	663,75	1,572
3042,00	340,53	67,79	76,95	706,44	662,05	1,572
3043,00	339,88	67,84	77,02	708,05	663,48	1,572
3044,00	339,81	67,72	76,89	709,09	666,49	1,572
3045,00	338,30	67,75	76,61	709,65	668,15	1,572
3046,00	337,35	67,66	76,79	710,78	669,51	1,499
3047,00	337,18	67,70	76,61	711,61	670,73	1,472
3048,00	336,34	67,75	76,58	713,47	671,12	1,472
3049,00	336,77	67,78	76,54	714,91	674,28	1,471
3050,00	335,03	67,70	76,70	714,73	679,18	1,471
3051,00	334,79	67,71	76,67	712,11	677,66	1,471
3052,00	334,02	67,75	76,50	711,17	677,40	1,371
3053,00	334,29	67,70	76,48	712,25	674,45	1,371
3054,00	333,73	67,73	76,50	714,00	675,23	1,371
3055,00	333,81	67,71	76,45	715,93	674,06	1,371
3056,00	332,74	67,69	76,48	717,47	671,37	1,283

3057,00

332,60

67,65

76,29

720,24

674,12

1,274

APPENDIX 5: Participants

Danick Power ing.
v-p operation
Services Polytests inc.
450.741.3636
www.polytests.com

Maxime Martin
Technicien
Services Polytests inc.
450.741.3636
www.polytests.com

Luc Gilbert
Technicien
ICC

APPENDIX 7: Operator's manual

Owner's Manual

Residential Factory Built Fireplace

Operation • Maintenance • Installation

OPEL PLUS

Keep these instructions for future use.



Industrial Chimney Company Inc.
400 J.-F. Kennedy, St-Jerome, QC, Canada, J7Y 4B7
Telephone: (450) 565-6336
www.icc-rsf.com

RSF-IIPP_2018-02

Dear Customer,

The OPEL+ incorporates technology with elegance to give you a beautiful view of the fire without compromising on heating efficiency or environmental quality.

We have designed your new OPEL+ to be easy to install, operate and maintain. It is in your best interest to become familiar with it. Study your manual to be sure that the installation is correct, then follow the guidelines for operation and maintenance.

We at **RSF Woodburning Fireplaces** congratulate you on your choice of the OPEL+, and are confident that you have purchased a fireplace that is *simply, the best.*

Sincerely,

February 2018

TABLE OF CONTENTS

SAFETY FIRST	3	DOOR(S) ADJUSTMENT	15
Do's AND DON'TS	3	INSTALLATION	18
CREOSOTE: FORMATION AND REMOVAL	3	LOCATION	18
GENERAL SPECIFICATIONS	4	CEILING CLEARANCE	22
THE COMBUSTION CONTROL SYSTEM	4	STANDOFFS INSTALLATION	22
CATALYTIC COMBUSTOR	4	SECURING THE FIREPLACE IN PLACE	22
OPTIONS	4	FRAMING	22
UNIT DIMENSIONS AND CLEARANCES	6	OUTSIDE AIR DUCT	22
OPERATION	9	CHIMNEY	23
AIR CONTROLS	9	CHIMNEY INSTALLATION	23
IMPROVING EFFICIENCY	9	OFFSET CHIMNEY	24
IMPORTANCE OF DRAFT	9	CHASE ENCLOSURE	25
BURN TIME VS. HEAT OUTPUT	10	MASONRY CHIMNEY	26
FUEL	10	FINISHING AROUND THE FIREPLACE	27
FIRST FIRES	10	HEARTH EXTENSION	27
LIGHTING	10	BENEATH HEARTH EXTENSION	27
ENGAGE THE CATALYST	11	MANTEL	28
CATALYST TEMPERATURE PROBE	11	MANDATORY OPTIONS WITH A BLOCKED TOP	
ADJUSTING THE BURN RATE	11	LOUVER	28
REFUELING	11	MANDATORY OPTIONS WITH THE CLEAN FACE	28
TROUBLESHOOTING PROBLEMS	12	REFRACTORY BRICK INSTALLATION	28
MAINTENANCE	12	GAS LOG INSTALLATION	29
CATALYTIC COMBUSTOR	12	LISTING LABEL	31
REPLACING THE CATALYST	12	COMPLETE OPTIONS LIST	32
CHIMNEY CLEANING	13	CONFIGURED OPTIONS LIST	33
DISPOSAL OF ASHES	13	REPLACEMENT PARTS	34
GENERAL CLEANING	13	LIMITED WARRANTY	35
PAINT	13		
GLASS CLEANING	13		
KEYSTONE FACEPLATE REMOVAL	13		
DOOR(S) SEAL	14		

SAFETY FIRST

DO'S AND DON'TS

If this fireplace is not properly installed, a house fire could result. For your safety, follow the installation directions. Contact your local authority having jurisdiction (such as municipal building department, fire department, fire prevention bureau, etc.) regarding restrictions and installation requirements, and the need to obtain a permit.

To ANYONE using this fireplace: these **DO's** and **DO NOTs** are for your safety.

1. **DO** read this instruction manual before lighting your first fire.
2. **DO** burn seasoned wood fuel, densified fuel logs wood fuel or a combination of densified fuel logs and wood fuel.
3. **DO operate the fireplace with the door(s) either fully closed.** If the door(s) is(are) left partly open, gas and flame can be drawn out of the fireplace opening, creating both fire and smoke hazards.
4. **DO** keep all combustible materials (furniture, firewood, etc.) at least 4' away from the front of the fireplace.
5. This fireplace contains a catalytic combustor, which needs periodic inspection and replacement for proper operation. **DO** learn to properly use the catalytic combustor and properly maintain it.
6. **Do** have at least one smoke detector on each level of the house and at least one carbon monoxide detector.
7. To avoid glass breakage, **DO NOT** slam the fireplace door.
8. **DO NOT** ever use gasoline, gasoline-type lantern fuel, kerosene, charcoal lighter fluid or similar liquids to start or freshen up a fire in this fireplace. Keep all such liquids well away from the fireplace while it is in use.
9. **DO NOT overfire the fireplace. If you are unable to slow down the burning rate of the fire or if the chimney connector behind the top louver glows red, you are overfiring the fireplace.**
10. **DO NOT** use a fireplace grate or other products not specified for use with this fireplace.
11. The burn rates are set by the semi-automatic air control at the factory. **DO NOT** tamper with the air control. **DO NOT** install a flue damper that would allow you to reduce the chimney draft and thus slow the minimum burn rate.
12. **DO NOT** burn chemical chimney cleaners. They contain contaminants that will render the catalyst inoperative.
13. To avoid damaging the catalytic combustor, **DO NOT** operate this fireplace in a manner inconsistent with the operating instructions in this manual.
14. **DO NOT** operate this fireplace if the catalytic combustor is deactivated or removed, it is against the law.



◆ **NOTE:** We strongly recommend that our products be installed and serviced by professionals who are certified by the National Fireplace Institute in the U.S. or by Wood Energy Technology Transfer Inc. in Canada.



CREOSOTE: FORMATION AND REMOVAL

When wood is burned slowly, it produces tar and other organic vapors which combine with the expelled moisture from the wood to form creosote. The creosote vapors can condense in the relatively cool chimney of a slow burning fire. When ignited, this creosote makes an extremely hot fire. The chimney should be inspected periodically during the heating season to see if a creosote build-up has occurred. If a significant layer of creosote has accumulated (1/4" or more), it should be removed to reduce the risk of chimney fire.

◆ **WARNING: BURN DRY WOOD ONLY.**

DO NOT BURN: DRIFTWOOD, TREATED WOOD, COAL, GARBAGE, OR PLASTIC.

Do not use construction scraps (e.g. 2x4 or plywood scraps) as your only supply of fuel as you can overheat and seriously damage the fireplace. Do not use more than one wax fuel log (e.g. Duraflame) at a time and only with a

firescreen on the fireplace. Use only firelogs that have been evaluated for fireplace use. In Canada, they should meet the requirements of ULC/ORD-C127-M1990. Refer to the firelog warnings and caution markings prior to use.

If using composite fire logs, do not poke or stir the logs while they are burning. Use only composite fire logs meeting the requirements of ANSI/CAN/UL/ULC 2115 Processed Solid Fuel Firelogs and Firestarters. Refer to the fire log warning and caution markings on packaging prior to use.

GENERAL SPECIFICATIONS

The OPEL+ is environmentally friendly and complies with the 2020 United States Environmental Protection Agency (EPA) particulate emission standard with crib wood at an emission rate of 0.7 grams per hour.

It also has an optimal efficiency of 80%. This has been established using the lower heating value of the wood, under the best burning conditions and using CSA B415.1-10 calculations.

It has been shown to deliver heat ranging from 10 000 to 70 000 BTU/h with an average of 55 000BTU/h. Please refer to the "Improving efficiency", the "Importance of draft", the "Burn Time vs. Heat Output" and the "Fuel" sections to better understand the various factors that influence the efficiency and heat output of your fireplace.

THE COMBUSTION CONTROL SYSTEM

Since the door(s) is(are) sealed, all combustion air must come through the OPEL+'s draft control. This control has a bimetal coil to allow more air when the unit is cold, and less air when the unit is hot, guarding against overheating. It can be controlled either manually with the lever that is located on the right below the door, or automatically with an optional electric wall thermostat.

For the first few days, it is best to operate the fireplace with the manual control fully open (moved to the right as far as possible on OPEL+ 2C, 3C and 4C, moved up as far as possible on OPEL+ Keystone). Just control the fire as you would any normal fireplace, using one or two logs at a time for a smaller fire, or more logs for more heat. Once you become familiar with operating the fireplace with the control open, you can start experimenting with lower settings. Remember: when the fireplace is hot, the control will not need as much movement to reduce the fire as when it is cold. The bimetal coil will already have shut the damper part way. See the "OPERATION" section for the details.

CATALYTIC COMBUSTOR

The OPEL+ is equipped with a catalyst. It ignites creosote-forming gases in wood smoke at significantly lower temperatures. As a result, you get less creosote and more heat from your fire at low to medium burn rates. Less fuel goes up your chimney in the form of smoke.

If the smoke that passes through the catalyst is not hot enough (at least 150°C-300°F), it will accumulate soot, reduce performance and increase the maintenance required. Opening the bypass allows smoke to exit the chimney while bypassing the catalyst. The bypass should always remain open when lighting a new fire or reloading a fire.

DO NOT burn chemical chimney cleaners, as they can contain contaminants that will render the catalyst inoperative.

See the "OPERATION" section for the details.

OPTIONS

Keystone Louver Options

Without the optional top Keystone Louver: when the Opel+ Keystone is installed without the top Keystone Louver, two Gravity Vent Kits (see "Gravity Vent Options" below) are required on top of the fireplace for hot air circulation.

With the optional top Keystone Louver (FO-OPLK): when the Keystone Louver is installed, no gravity vents are required. Hot air circulation will flow out of the Keystone Louver. Gravity vents remain optional, but are not mandatory in this configuration.

2C, 3C and 4C Louver Options

You can choose to install louvers – with or without the top louver – louvers are available in various styles (regular black: FO-OPLB; classic black: FO-OPLC; or blade style: FO-OPLBS) or no louvers at all (FO-F3).

If you choose to install only the lower louver while blocking off the top louver on your OPEL+ fireplace, you MUST install the appropriate rock retainer kit with the top louver blocking plate along with two Gravity Vent Kits (see "Gravity Vent Options" below).

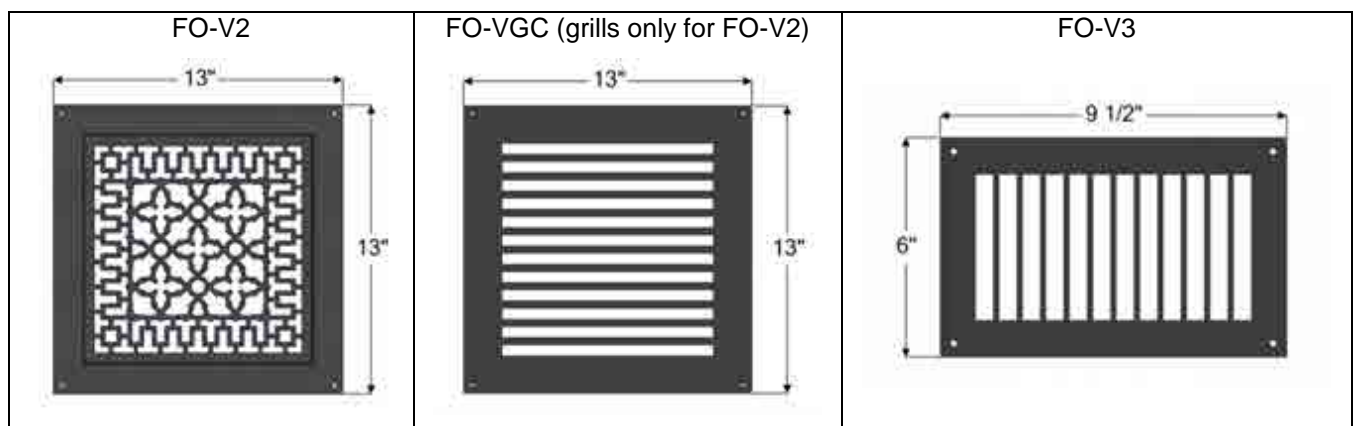
If you choose to install your OPEL+ fireplace without any louvers, you MUST install the Clean Face Option (FO-F3) along with two Gravity Vent Kits (see "Gravity Vent Options" below). Furthermore, we recommend that you do not install any option requiring electricity or a thermal switch inside your fireplace since it will be difficult to access those components after the fireplace facing is covered with non-combustible materials. If you decide nevertheless to install electricity or a thermal switch in your Clean Face Opel+, remember that you may eventually have to break through the non-combustible finishing to access the electrical box or the thermal switch for servicing.

Gravity Vent Options

Gravity vent kits allow hot air to be ducted from the fireplace to a room above or on the same level as the fireplace. Gravity vent kits include 5' of insulated flexible ducting, an outlet grill, and connectors for the fireplace and wall grill.

Additional 5' lengths of insulated flexible ducting can be ordered with the part code FO-DUCT5. Gravity vents have a maximum length of 15'.

Take note that gravity vent dampers may not be installed on an OPEL+ if the upper louver is blocked.



Refer to each gravity vent kit installation instructions to see the installation restrictions such as having to frame with steel studs and finish the wall surface with a cement board.

Heating Options

For increased air circulation and marginally more heat output, you can add the Circulating Internal Blower (FO-FDHB5-N) to your Louvered OPEL+.

For constant heat, day and night, you will be surprised by what the Thermostat Option (FO-FDHC4) can do for you. This option provides you with the necessary parts to automatically control the draft control via a wall thermostat. It will keep your room temperature as even as though you were heating with oil, gas or electricity, except you will find wood heat more comfortable.

To maximize the distribution of the heat generated by your OPEL+ fireplace throughout many rooms and different floors, consider the Central Heat Option. With our Central Heat Blower (FO-FDHB6-1), you can use the house central heating ducts or dedicated ducts to circulate the fireplace heat to one or many rooms. The Central Heat Control (FO-FDHC6) will enable automatic control of the Central Heat Blower via a wall thermostat and thermal switch. The Zone Heat Control (FO-FDHCZ1) along with Zone Damper Kits (FO-FDHCZ2) will provide the same features as the Central Heat Control but for more than one heating zone. If you wish to install the Central Heat Blower on a Clean Face OPEL+, you will need the Central Heat T (FO-T) that will enable you to connect the central heat duct along with the left gravity vent on the fireplace.

For a simpler way to circulate a moderate amount of warm air from the fireplace to another room, we offer the Heat Dump Kit (FO-HD) which uses a smaller fan than the Central Heat Blower. It is most often used to provide supplemental heating to a basement room when the fireplace is on the main floor but it can also be used to send the warm air upstairs.

General Options

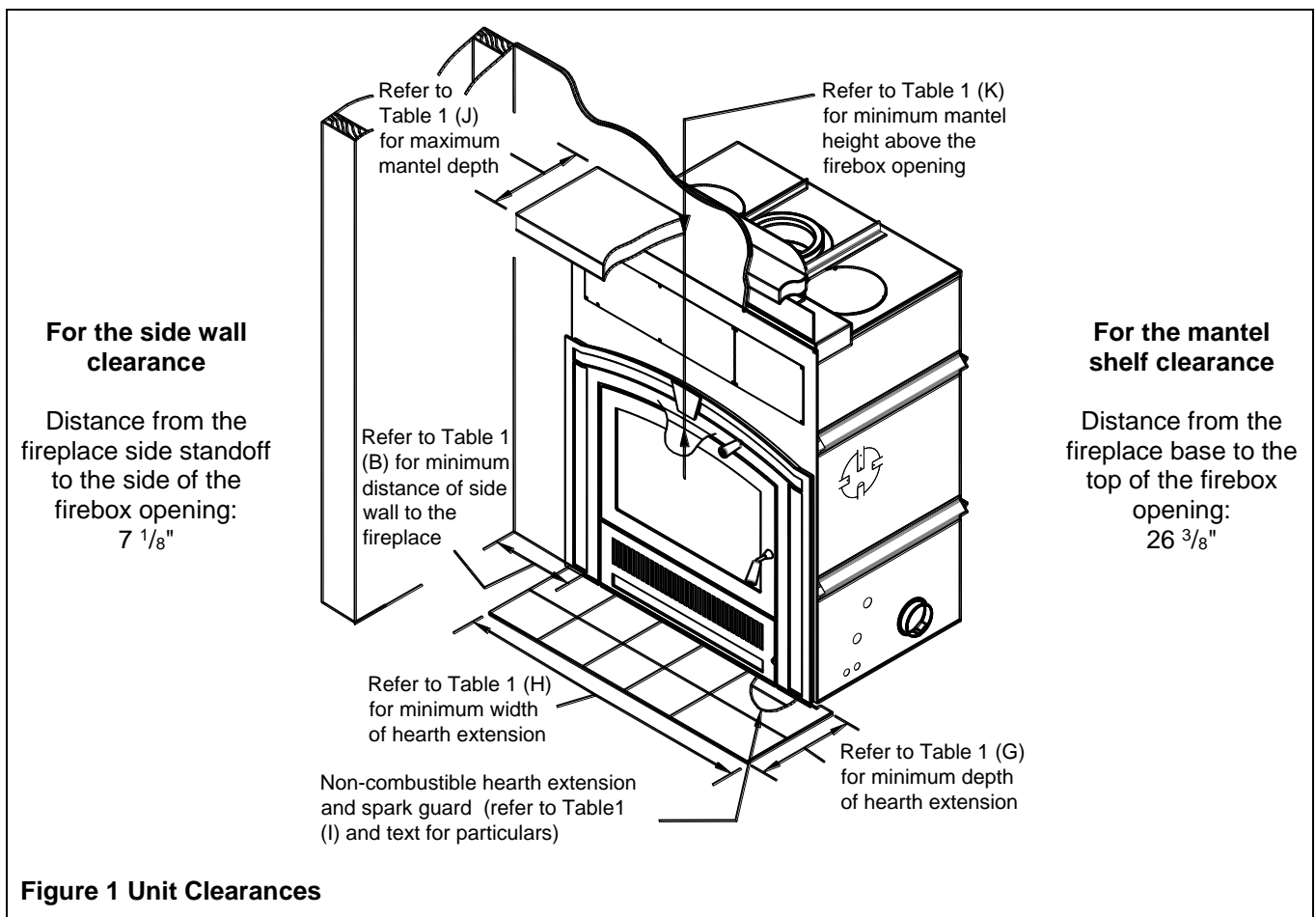
To simplify the installation of thin non-combustible materials such as ceramic tile or sliced brick, we have designed very versatile rock retainer kits: FO-KK for the Keystone and FO-KP3 for the other OPEL+ models. They are not designed or required for full brick or stone. Thin materials can also be installed directly on the face of the OPEL+ using high temperature silicone as glue, without a rock retainer kit.

To remove accumulated ashes from the firebox, simply shovel them in to a metal container. If you have chosen to install your OPEL+ fireplace with a lower louver, you may find the optional Ash Pan Kit (FO-AP) very convenient. You remove the plug from the firebox and sweep the ashes into a hole to the ash pan. When the ash pan is full, simply remove the ash pan by the bottom louver and dispose of the ashes properly.

♦ **NOTE:** Many options require wiring and/or electricity for their installation. If there is any chance that any of these options will be installed in the future then suitable wiring should be run during framing. Otherwise, it will be difficult to install these options later. You can refer to page 32 for a list of options that require electricity.

Detailed installation instructions are included in the box with each option. These can also be obtained from our Internet Web Site: www.icc-rsf.com.

UNIT DIMENSIONS AND CLEARANCES



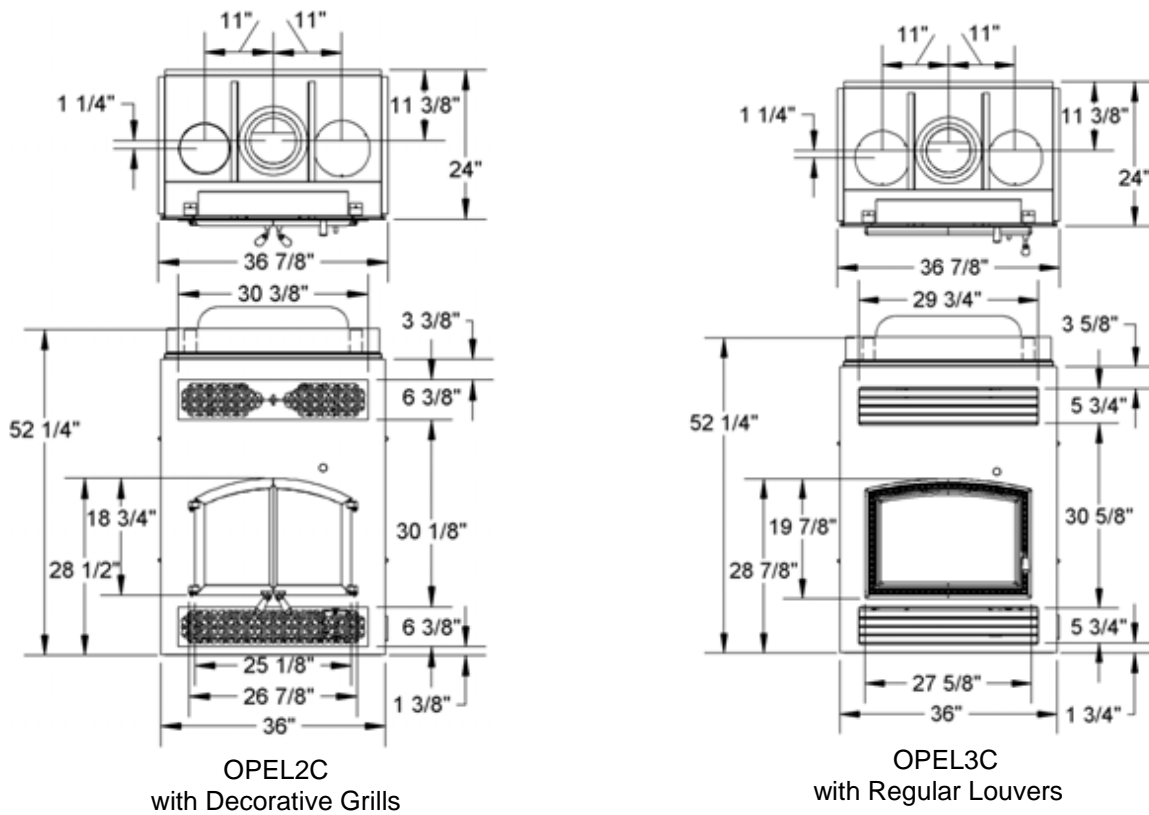
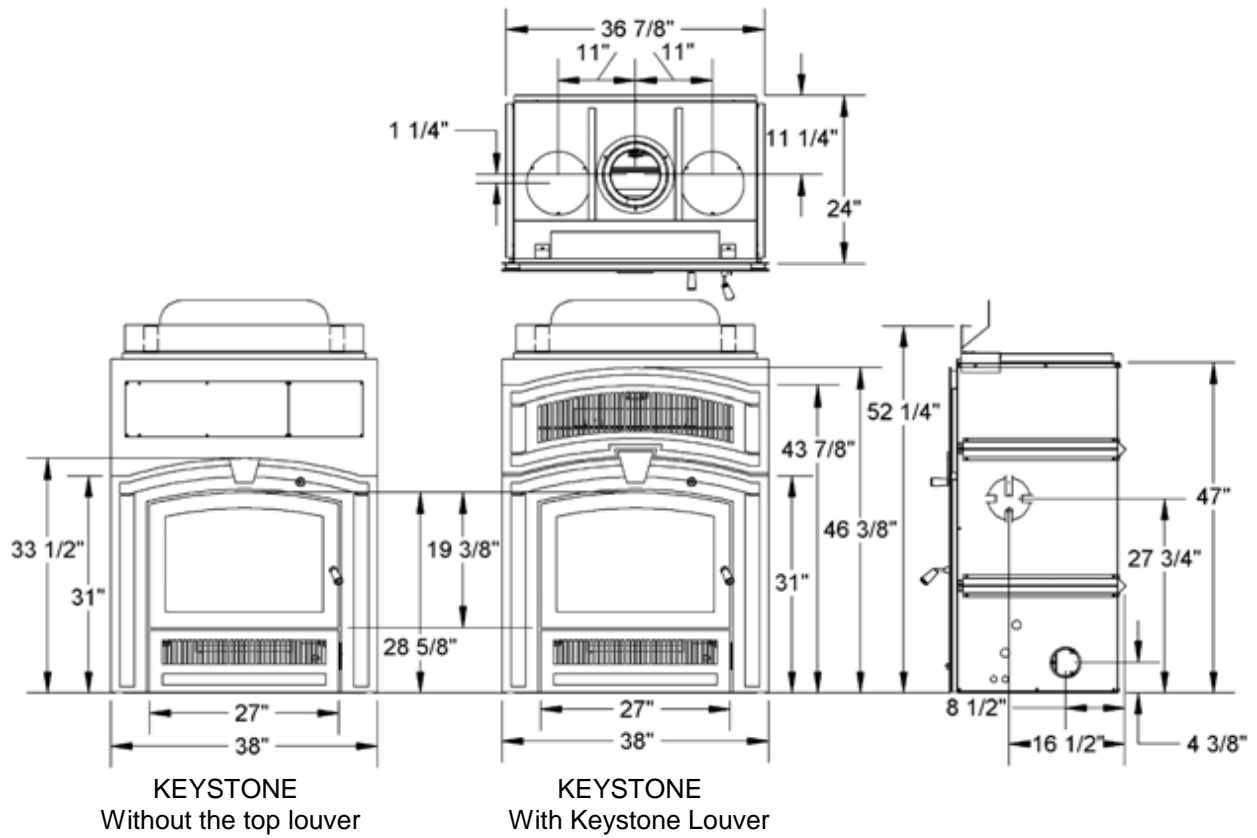


Figure 2 Unit Dimensions

Table 1 Unit Dimensions and Clearances

A	Distance of combustible material from side, back and top standoffs	0" (0,0 mm)
B	Minimum distance of side wall to the side of the firebox opening	16" (406 mm)
C	Ceiling clearance: from the base of the fireplace to the ceiling	sealed enclosure 7' (2,13 m)
		vented enclosure 6' (1,83 m)
D	Minimum chimney height: minimum total chimney height from fireplace top to below the chimney rain cap	12' (3,66 m)
E	Maximum chimney height: maximum total chimney height from fireplace top to below the chimney rain cap	40' (12,19 m)
F	Maximum chimney height supported by the fireplace	18' (5,47 m)
G	Minimum depth of non-combustible hearth extension: from the front of the fireplace	18" (457 mm)
H	Minimum width of non-combustible hearth extension: from sides of the door opening	8" (203 mm)
I	Minimum width of the spark guard	36" (914 mm)
J	Maximum mantel depth (see Table 2 for other mantel sizes)	12" (305 mm)
K	Minimum height of a combustible mantel above the top of the firebox opening: from the highest point of the firebox opening to below the combustible mantel (see Table 2 for other installation heights) (refer to the "Installation: Mantel" section for particulars)	36 ½" (927 mm)
L	Minimum distance of combustible wall materials above the fireplace facing from the firebox opening (other than the combustible mantel shelf, see J and K above)	39 ¼" (997 mm)

Table 2 Various Mantel Depths and Corresponding Installation Heights

Maximum Mantel Depth	Minimum Installation Height
0" to 4"	32"
6"	33 1/8"
8"	34 ¼"
10"	35 3/8"
12"	36 ½"

No combustible mantel can be installed lower than 23" above the top of the firebox opening. A combustible mantel cannot be wider than 12".

For combustible mantel depths not mentioned in the list above, you can interpolate the minimum installation height between the two closest mantel depths. For example:

- Mantel depth to be installed: **9 ¼"**
- It is between 8" and 10" with corresponding installation heights of 34 ¼" and 35 3/8"
- So: $((9.25 - 8) / (10-8) \times (35.375-34.25))+34.25 = 34.95 = 35"$
- Minimum installation height of a **9 ¼"** mantel: **35"** above the firebox opening.

If the combustible mantel has a cross-section with variable depth, it has to be installed so that its widest part is not installed lower than the corresponding minimum installation height while making sure that the lowest point of the mantel is not installed lower than the minimum installation height corresponding to its depth.

Refer to the "Installation: Mantel" section for particulars.

OPERATION

AIR CONTROLS

Unlike most open fireplaces, RSF fireplaces don't have flue dampers. Instead, the system is sealed by closing the door, and the amount of air entering the firebox is controlled by the combustion air control lever on the front of the fireplace on the right below the door (see Figure 3) which can be moved up or down, or left to right. Setting the air control lever all the way open (up/right) will allow the maximum amount of air into the firebox. Closing the air control (down/left) will reduce the amount of air entering the firebox.

Bi-metallic Damper

The bi-metallic damper is a unique feature built into your OPEL+ fireplace. As the fireplace heats up it will activate the bi-metallic damper. This will automatically begin to shut down the air entering the firebox, slowing the combustion process. This will save you wood in the long run, and prevent the fireplace from overheating and causing potential damage to the firebox. **We suggest that the combustion air control lever is used as the primary control to limit the oxygen entering the firebox, and that the bi-metallic damper is left as an additional safety system.**

Outside Air Control

The OPEL+ has been designed to offer you the choice to use outside air or inside air for combustion. You will find a sliding door behind the bottom louver and below the firebox. Push the sliding door towards the back to select outside air or pull it toward the front to select inside air as the combustion air. Because outside air is generally colder and denser it will help to start the fire. In some cases, this fresh air will also help compensate for negative pressure problems within the house; however, it will not prevent the fireplace from smoking in a severely depressurized house.

IMPROVING EFFICIENCY

The location of your fireplace will affect how efficiently it heats the home. Your fireplace should be located in part of the house you want to be the warmest. Trying to heat the main floor with a fireplace in the basement will generally overheat the basement and waste fuel. Certain RSF options offer the ability to move heat from the main floor to the basement. This allows you to efficiently heat your primary space while also heating the basement as a secondary space.

The efficiency will also be influenced by the draft in the chimney which will be influenced by various factors (refer to "Importance of draft" below) and by the amount of wood burning at any point (see "Burn Time vs. Heat Output" below). The efficiency will also be influenced by the quality of the wood (refer to "Fuel" below).

All of these factors must be taken into account and optimized so you can recover the maximum heat from your fireplace.

IMPORTANCE OF DRAFT

Draft is the natural force which pulls air from the fireplace up the chimney. The strength of draft in your chimney depends on a variety of factors, including chimney height, nearby obstructions, altitude, etc.

Excessive draft can result in a hotter fire than intended or reduced burn times as more air is pulled through the fireplace. It will also result in less heat recovery since the heat will not have as much time to irradiate into the room before being sucked into the chimney.

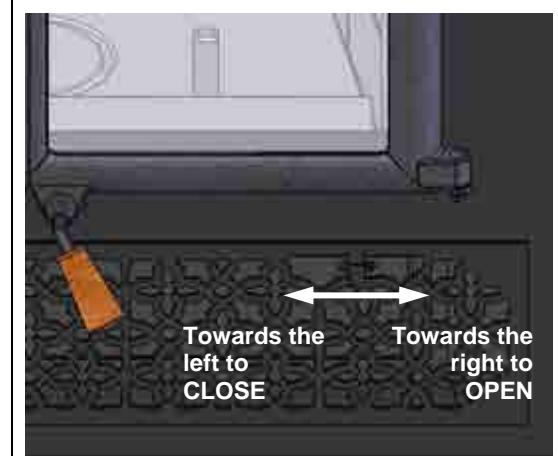
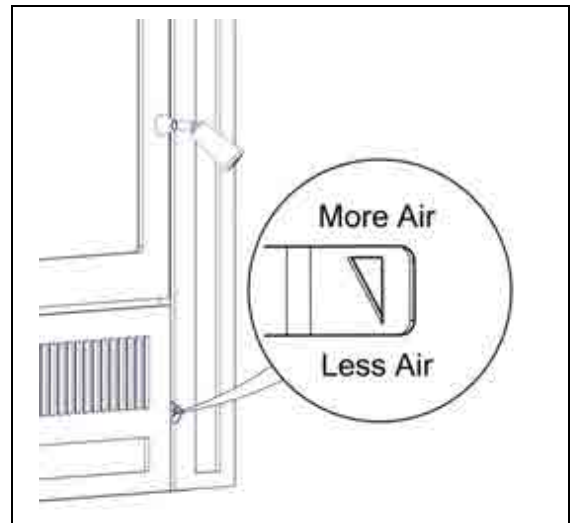


Figure 3 Air Control

Weak draft can result in smoke entering the room and difficulty lighting or operating the fireplace. Weak draft is often incorrectly associated as a blockage in the air intake for the fireplace. Adding chimney height is the most common solution. See Table 3 for minimum chimney height recommendations.

BURN TIME VS. HEAT OUTPUT

The faster your fireplace burns the more heat it will create; however, faster fires result in much more hot air flow up the chimney which means you are sacrificing efficiency. Fast burning fires (lots of air) go through much more wood than slow burning fires. To get the most out of your OPEL+ fireplace, adequately adjust the combustion air control lever at the appropriate time. If the fire seems to be burning too quickly, turn the air down. If the fire is smoldering and there are no visible flames, turn the air up. This way you'll always be getting the most out of your fuel.

FUEL

All modern high efficiency fireplaces and woodstoves are designed to burn best with seasoned cordwood. Seasoned wood can be defined as wood that has been cut, split and let dry under cover for a minimum of 6 months, preferably a year or more. Dry seasoned wood generally contains less than 20% moisture content. Attempting to burn fuel with a high moisture content will be difficult and result in lower efficiency, increased creosote buildup and dark deposits on the glass. It's possible to burn a very large amount of wood and get very little heat if the wood is wet.

The type of wood you select is also important. All types of wood give off more or less the same number of BTU's per pound. Since softer woods are less dense than hardwoods it is possible to put more weight of hardwood in the firebox; in other words, all woodburning appliances will burn longer and more evenly with hardwoods. Never burn scrap, garbage, treated wood or driftwood as they produce much more pollution and can corrode the firebox and chimney as well. Burning large amounts of paper, cardboard, mill ends, or construction waste can easily over fire and damage the fireplace or even ignite a chimney fire if the flue is dirty.

FIRST FIRES

You will experience a slow start-up during the first few fires. The refractory bricks lining the firebox contain moisture from manufacturing and require a few hot fires to evaporate the moisture. While there is still moisture in the bricks, they will be black with smoke deposits. When the moisture has dissipated, the bricks will turn white. Unlike cast iron stoves, there is no need to cure the fireplace itself by starting with small fires and progressively larger ones. Feel free to light a large fire from the very start.

You will experience a slight odor during the first few fires. This odor comes from curing paint and oil burning off the metal. The odor may be strong enough to set off your smoke detector. Open the doors and windows to allow the room to properly ventilate.

LIGHTING

Ensure that the catalytic bypass is open (pulled all the way out) while starting a fire (see Figure 4). Leave it open until the fire is hot (approx. 15-30 minutes).

Ensure that the combustion air control lever is all the way to the right in the open position. You will want as much air as possible for the lighting process.

Start by laying your fire starter and kindling. Traditional fire starter is crumpled newspaper; make sure to use enough to light the kindling (5-6 pieces should do). Next lay the kindling crisscrossed over the newspaper. Using plenty of kindling ensures that the chimney will heat up quickly and establish a strong draft, **never use any flammable liquids**. Light the paper and close the door most of the way, but don't shut it completely. If the door is positioned correctly you will see air rushing into the fireplace, this will help the lighting process.

Once the kindling is lit and sustaining fire, you can add some small pieces of seasoned cordwood. Use the andirons in front to help position the cordwood so as not to flatten and smother the fire you've just created. Always add at least 3 pieces of cordwood. Position your cordwood in a manner that the fire will hit several pieces as it rises and has air gaps to flow through. Continue to leave the door slightly open until the cordwood is lit. Close the door completely when the fire is established, if the fire goes out you've shut the door too early.

❖ **WARNING: DO NOT USE A GRATE OR ELEVATE THE FIRE.**

❖ **WARNING: MAKE SURE TO KEEP THE FIRE BEHIND THE ANDIRONS. REPLACE THE LOGS IF THEY FALL AGAINST THE GLASS.**

ENGAGE THE CATALYST

When the fire is hot, you should always engage the catalyst. To engage the catalyst, simply push the bypass handle all the way in so that the bypass damper is closed as shown in Figure 4. Closing the bypass will force the smoke through the catalyst. When the catalyst is engaged you will receive more heat from your fireplace and it will burn much more cleanly.

The catalyst should not be engaged (bypass closed) unless the fireplace is hot. If the bypass is closed before the fireplace is hot, the catalyst will get dirty and no extra heat will be generated. The catalyst must be at least 175°C (350°F) before it will start to burn off the wood smoke. Typically, this requires the fire to be lit for 15 to 30 minutes.

CATALYST TEMPERATURE PROBE

For an exact temperature reading at your catalyst, your fireplace is equipped with a temperature probe which measures the temperature within 1" of the catalyst. A wire and connector have been dropped down on the left side of the fireplace, inside the casing. You can connect to the probe with our optional Digital Temperature Display (FO-DTD) or any standard Type K Thermocouple/Sensor Thermometer.

For an accurate temperature reading the bypass must be closed. Here are the important temperature ranges that you need to be aware of:

- Below 175°C (350°F): not enough heat is generated from the fire, add more wood, open the air control and keep the bypass opened.
- Between 175°C (350°F) and 700°C (1300°F): the temperature is just right for the catalyst, add more wood as necessary and keep the bypass closed except for reloading.
- Above 700°C (1300°F): too much heat is generated from the fire, do not add more wood, close the air control and let the fire die down to allow the temperature to drop within the normal operating range.

Try to **AVOID OVERHEATING THE CATALYST** as much as possible. Every time you do so, you reduce its useful lifetime.

ADJUSTING THE BURN RATE

To get maximum efficiency out of your fireplace you will want to adjust the amount of combustion air entering the firebox at the appropriate times. Gauge how much to close the combustion air by how the fire reacts once the combustion air control lever has been moved. If the fire goes out and begins to smolder, there's too little combustion air entering the firebox. If there's no change to the burn pattern, you can continue to close the combustion air further. Eventually you should be able to close the combustion air all or most of the way. There should always be visible fire inside the firebox at every step of the process.

REFUELING

Have your next wood load ready when you open the door. The temperature of the catalyst will decrease as the the door is open, so decreasing the amount of time the door is open will allow the catalyst to remain hot. Do not rush.

Pull the bypass handle all the way out, into the open position and turn off the central heat and internal blowers, if installed. The blowers may cause smoke to spill out of the fireplace if they are running.

The door should be opened slowly to keep smoke from spilling into your room. If you have a problem with smoke spillage, check to see that all kitchen and bathroom fans have been shut off. They can cause negative pressure in the house which pulls smoke out of the fireplace.

Take the time to poke and stir the unburnt wood that is left in the firebox. This will help revive the fire. Place the new logs in the firebox. Try to maintain a clear a path in front of the pilot, which is the metal tube centered between the two andiron posts. The pilot brings an influx of air close to the coals that will help to keep the fire going. Once the new wood has been loaded, keep the door slightly ajar for about 3-10 minutes to get the fire going depending on how well seasoned your cordwood is and how much coals were left in the firebox. Once the new wood it well lit, close the door.

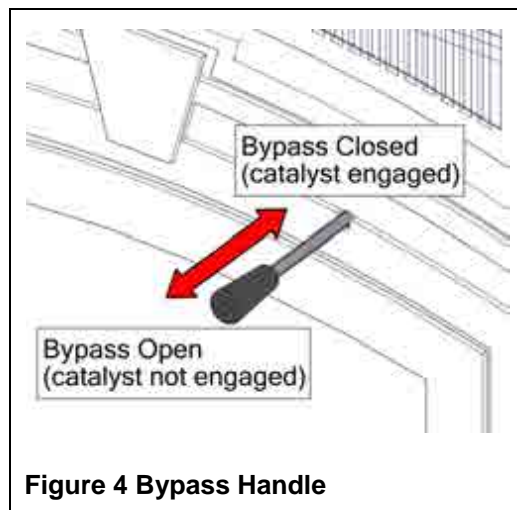


Figure 4 Bypass Handle

Close the bypass when the wood is well lit.

TROUBLESHOOTING PROBLEMS

If smoke comes into the house when the door is opened:

- You may have opened the door too quickly and created a suction of air into the room, this can be avoided by opening the door more slowly.
- Ensure your chimney is clean and your chimney cap is not plugged. Chimney caps with screens are more likely to become clogged with creosote buildup.
- Make sure you have adequate chimney height for your system. Refer to the Chimney section of this booklet and make sure to take altitude, and number of elbows into consideration.
- If you have purchased the central heat kit option or the circulating internal blower, make sure the blower is off before opening the door.
- Check to see if other fans in the home are running, particularly a kitchen range hood, or bathroom exhaust fan. This can affect the pressure in the home.
- Try opening a window near the fireplace a little, this will equalize the pressure in the home and should correct a draft problem. Once proper draft is established the window can be closed.
- Make sure you've used enough kindling to establish a hot fire quickly. The most likely time that smoke will enter the home is during the lighting process.

If your fireplace burns excessively fast, seemingly uncontrollably:

- Check all door seals and gaskets to ensure that air is not leaking into the firebox. See "Door Seal" for details of how to verify the tightness for the door(s).

MAINTENANCE

CATALYTIC COMBUSTOR

Over time ash can become attached to the catalyst. If ash is visible on the face of the catalyst, it should be removed when the catalyst is cold. Brush the catalyst with a soft bristle brush (e.g. paint brush) to clear the ash. Also pass a vacuum near the face of the catalyst to remove the remaining ash but try to avoid contacting the catalyst directly. Never touch the catalyst with any scrapers or hard bristle brushes and limit cleaning to the visible face of the catalyst. Attempting to clean the individual openings in the catalyst can do more harm than good.

If you notice that your fireplace is not creating as much heat as it once did, the catalyst may require cleaning or replacement. When having a hot fire with the bypass closed, watch the catalyst closely. If it is not burning red, then it is not firing. If the catalyst does not fire for several days, even during a hot fire, a replacement is required. The life expectancy of a catalyst is approximately 5-10 years. Replacement catalysts can be ordered from your local RSF retailer.

REPLACING THE CATALYST

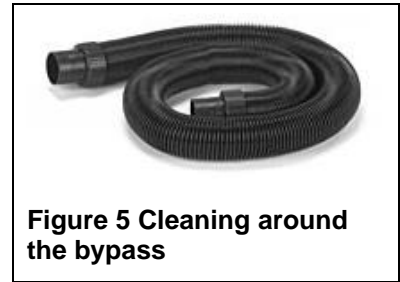
When the catalyst requires replacement, a Catalyst Replacement Kit can be ordered from your local RSF retailer with the part code FO-CATP. To remove the old catalyst, start by removing the bolts that hold it in place on either side. The bolts can be removed with a 1/2" wrench. Pull firmly on the catalyst once the bolts have been removed. The gasket material that seals around the exterior of the catalyst will likely break and require replacement with the new gasket that is included with the FO-CATP.

Wrap the new catalyst on all sides with the catalyst gasket. Enough gasket is supplied to wrap the catalyst with two layers of the gasket material. Carefully insert the catalyst into the opening and reinsert the screws that hold it in place. The catalyst gasket expands as it is heated; so it is normal for the gasket to have some small gaps after being inserted. As the gasket expands, the spaces will be filled.

CHIMNEY CLEANING

Check the chimney for creosote buildup every week or so until experience shows how often you need to clean it. A buildup of ¼" or more should be cleaned before more creosote accumulates. Close the fireplace door(s) and open the bypass prior to sweeping. Use an 7" round brush.

Once the chimney has been swept, any creosote or ash that has fallen into the top of the fireplace can be removed with a flexible attachment for a vacuum (see Figure 5) through the bypass opening.



DISPOSAL OF ASHES

Remove the ashes before they become too deep, i.e., before you have a spillage problem when you open the door.

The ashes should be placed in a metal container with a tight-fitting lid. The closed container of ashes should be placed on a non-combustible floor or on the ground, well away from all combustible materials pending final disposal. If the ashes are disposed of by burial, or otherwise locally dispersed, they should be retained in the closed container until all cinders have thoroughly cooled.

GENERAL CLEANING

The high heat paint and plating can be cleaned with a soft damp cloth. Use a mild detergent and water. Do not use abrasive cleaners.

PAINT

❖ **WARNING: AVOID SPRAYING CERAMIC GLASS CLEANER OR OTHER CLEANERS ON THE PAINT OF THE FIREPLACE. THEY MAY REMOVE THE PAINT AND MAKE TOUCHUPS DIFFICULT.**

You can touch up the face of the OPEL+ with *Stove Bright* Metallic Black high temperature paint which is available at most fireplaces dealers. Follow the directions outlined on the spray can. **DO NOT** attempt to paint the fireplace while it is still warm. Keep the spray can away from any source of heat or open flame. Ensure that there is adequate ventilation in the room from the time you start painting until the paint is dry. *Stove Bright* is available in a wide range of colors if you want to change the color of your OPEL+.

We recommend that you take the time to protect or remove any item that you do not want to paint such as: the door glass, the plated door, the fireplace surroundings, etc. The glass can be removed from the door but you will have to replace the window gasket.

GLASS CLEANING

In a controlled combustion firebox, temperatures are not always high enough to keep the glass perfectly clean. A good hot fire once a day usually cleans off most of the deposits that have accumulated. Remember: the drier the wood and the hotter the fire, the cleaner the glass. A word of caution: although heat will not break the glass, impact can. Be careful not to hit the glass.

❖ **WARNING: NEVER CLEAN THE GLASS WITH AN ABRASIVE CLEANER. USE ONLY A CLEANER RECOMMENDED BY YOUR DEALER. NEVER CLEAN THE GLASS WHILE IT IS HOT, A SERIOUS BURN CAN RESULT. THERE ARE A NUMBER OF EXCELLENT WOOD STOVE GLASS CLEANERS AVAILABLE WHICH ARE FAR SUPERIOR TO REGULAR GLASS AND OVEN CLEANERS FOR WOOD STOVE APPLICATIONS.**

KEYSTONE FACEPLATE REMOVAL

It should not be necessary to remove the faceplate of the Opel Keystone. If for some reason the faceplate of the fireplace must be removed, follow the steps below.

1. Open the fireplace door.
1. Remove the Keystone centerpiece by undoing the bolt on the back of the faceplate with a 7/16" wrench.

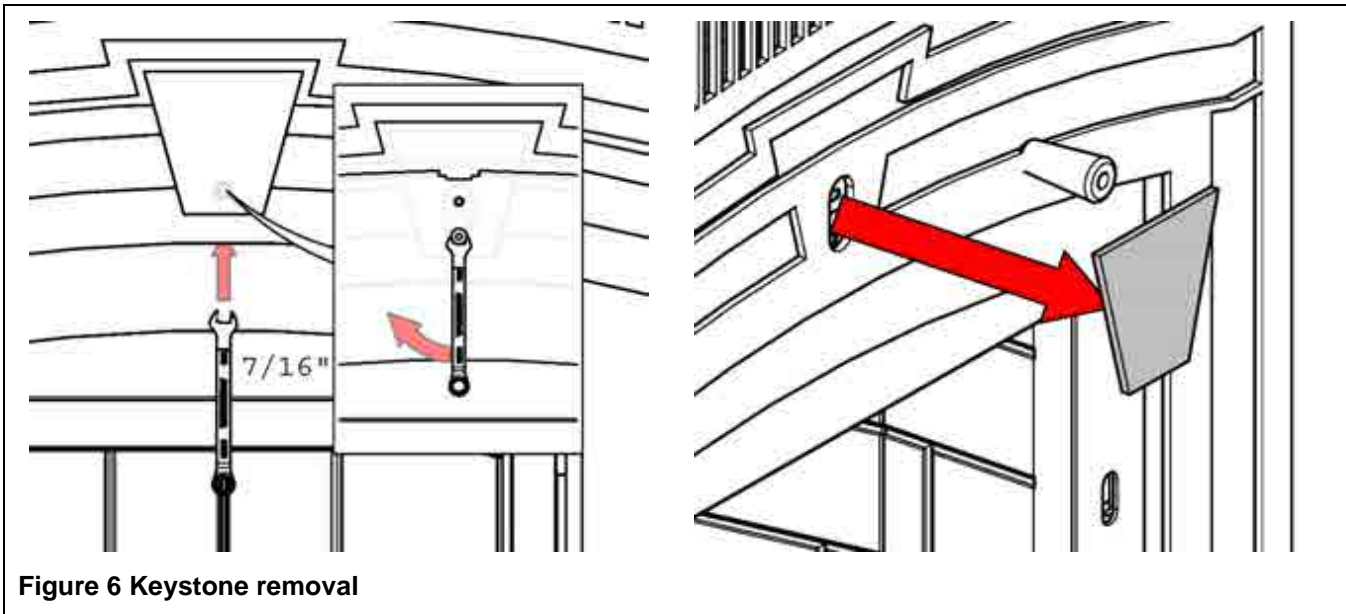


Figure 6 Keystone removal

2. Remove the wooden handle on the catalytic bypass rod using a 5/32 hex key.
3. Grab the faceplate firmly and lift it off the fireplace. Four notches in the fireplace facing hold the Keystone faceplate in place.

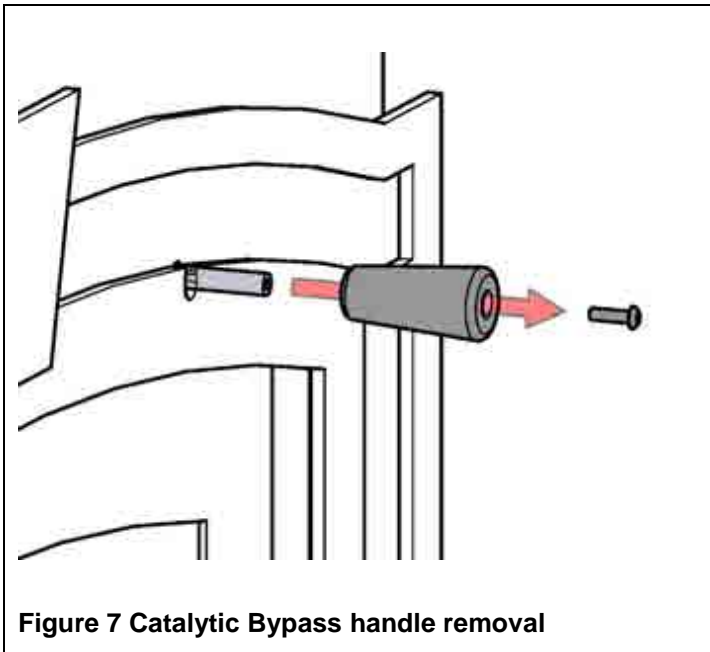


Figure 7 Catalytic Bypass handle removal

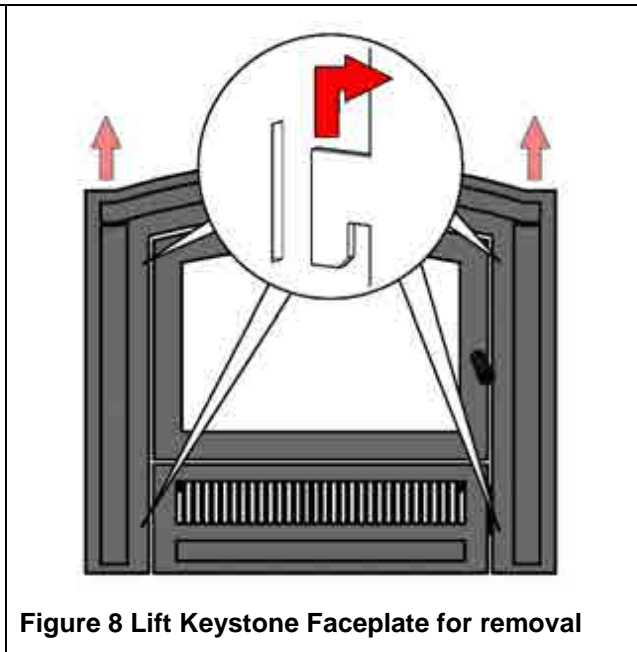


Figure 8 Lift Keystone Faceplate for removal

DOOR(S) SEAL

To check for a proper door seal, insert a thin sheet of paper between the door and the front of the fireplace and latch the door. Pull gently but firmly on the sheet of paper. If the paper either tears or is hard to retrieve, the adjustment is correct. Repeat this procedure along all sides of the door.

The most important factor for controlling the burning rate of the OPEL+ is a good seal on the door gaskets. If the door gaskets are worn or damaged to the point where the seal is not adequate as described above, then remove and replace the gasket(s). Replacement kits are available from your RSF dealer.

The KEYSTONE door cannot be adjusted to tighten the door seal. The gaskets must be replaced when necessary to resolve the issue.

◆ **NOTE:** An improper door seal can have a significant effect on the performance and durability of the fireplace. An air leak can result in reduced efficiency, over firing, excessive wood consumption and premature catalyst and fireplace failure.

DOOR(S) ADJUSTMENT

For Double Doors – OPEL+ 2C

The door latch and hinges can be adjusted for proper sealing of the doors. It is normal to push on the handle to close the doors. Add some of the high temperature grease provided to the door latch and hinges at least annually.

To insure a proper seal, you need to adjust the tightness of the doors against the front of the fireplace as follows:

1. To tighten the center area of the doors, turn the Allen key screw clockwise (see Figure 9/figure 13).
2. To tighten the side area of each door, start by slightly loosening the nuts below the door hinges of the right-hand door.
3. Close the door without latching it but make sure the door pawl is engaged in the door latch.
4. Adjust the door so that the joint between the two doors is straight and level.
5. Push the right-hand door firmly against the facing of the fireplace to insure a good seal while tightening the hinge nuts. Use a screw driver on the bottom of the hinge pin and a wrench to tighten the nut (see Figure 10).
6. Continue by loosening the nuts below the door hinges of the left-hand door.
7. Adjust the left door so that the top arch and the joint are flush with the right-hand door.
8. With the right-hand door open, push the door firmly against the facing of the fireplace to insure a good seal while tightening the hinge nuts.
9. Verify the seal with the sheet of paper as described above. You may need to retighten the door latch after adjusting the doors.

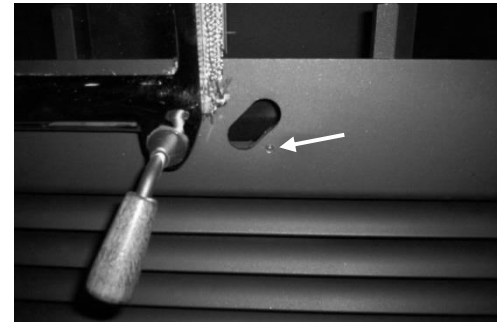


Figure 9 Door Latch Adjustment



Figure 10 Door Hinge Adjustment

For Single Cast Iron Door – OPEL+ 3C

The door hinge can be adjusted for proper sealing of the left side of the door. Since the door latch is progressive, the more you turn the handle the tighter the seal on the right side of the door. Beware not to always over tighten the door latch; this will result in premature failure of the door gasket.

To insure a proper seal, you need to adjust the tightness of the door against the front of the fireplace as follows:

1. To tighten the left side of the door, slightly loosen the screws holding the hinge to the door (see Figure 11).
2. With the door open, push the door towards the facing of the fireplace so as to move the hinge towards the center of the door. This will move the door slightly closer to the facing of the fireplace when it is closed.
3. Continue by retightening all the hinge screws on the door.
4. Verify the alignment of the door with the firebox opening and the latch opening.
5. If necessary, slightly loosen the screws holding the hinge to the fireplace facing (see Figure 12). Move the door with the hinge as desired. Retighten all the hinge screws on the fireplace.
6. Verify the seal with the sheet of paper as described above.

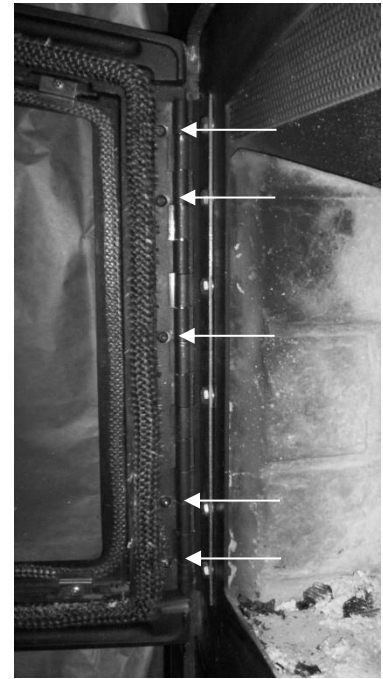


Figure 11 Hinge Adjustment on the Door

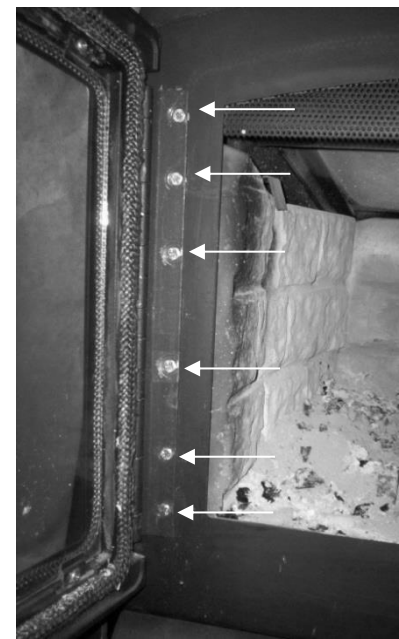


Figure 12 Hinge Adjustment on the Fireplace

For Single Sheet Metal Door – OPEL+ 4C and Keystone

For aesthetic reasons or to ensure the door handle properly aligns with the notch in the fireplace facing, the door hinges can be adjusted on the left side of the door.

The door can be adjusted left-right or slightly rotated against the front of the fireplace as follows:

1. Open the door completely.
2. Using a 5/32 hex key (allen key), slightly loosen the bolts holding the door hinge pins against the face of the fireplace. The hinge pins can be shifted left or right.
3. Verify the alignment of the door with the firebox opening and the latch opening.
4. Retighten the bolts once alignment is complete

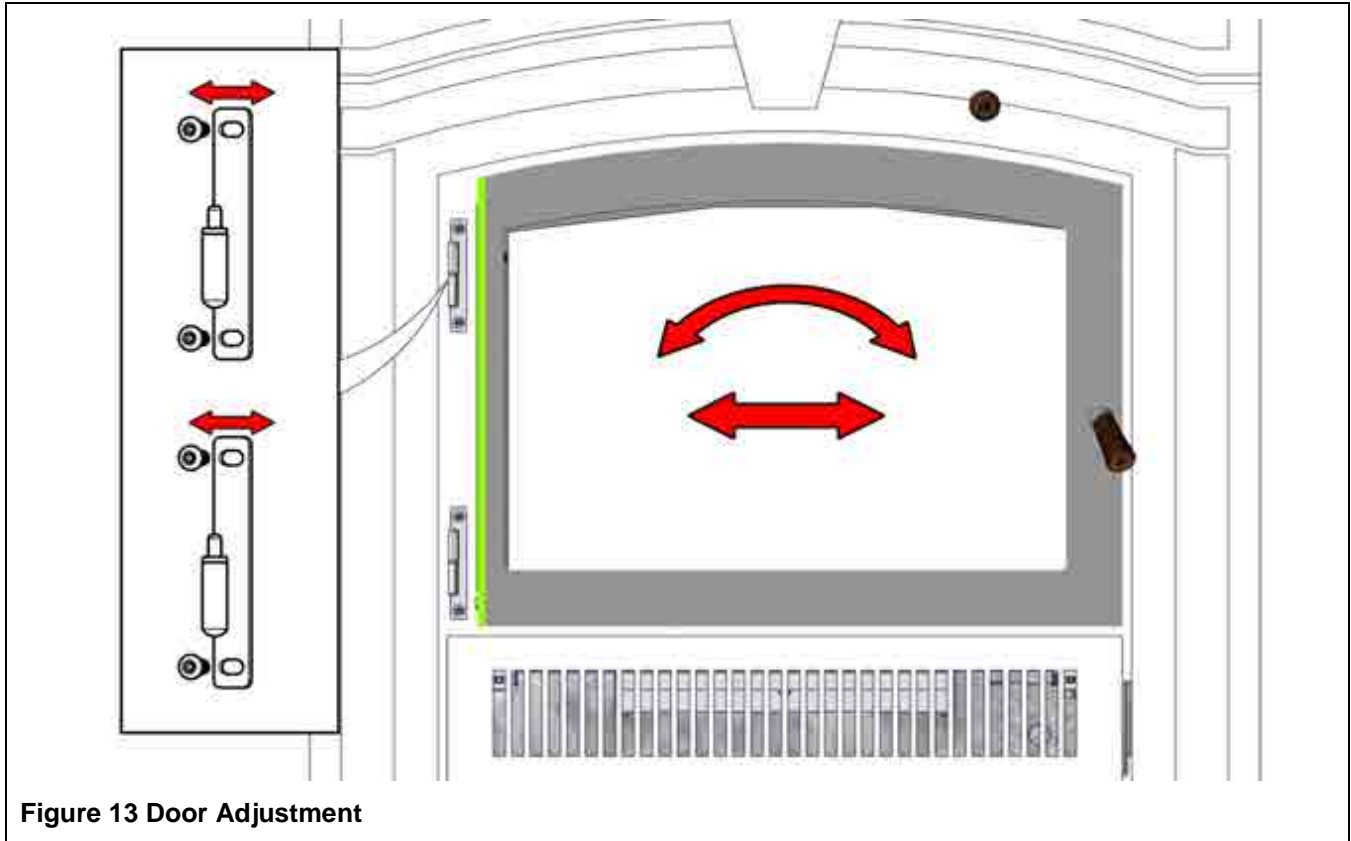


Figure 13 Door Adjustment

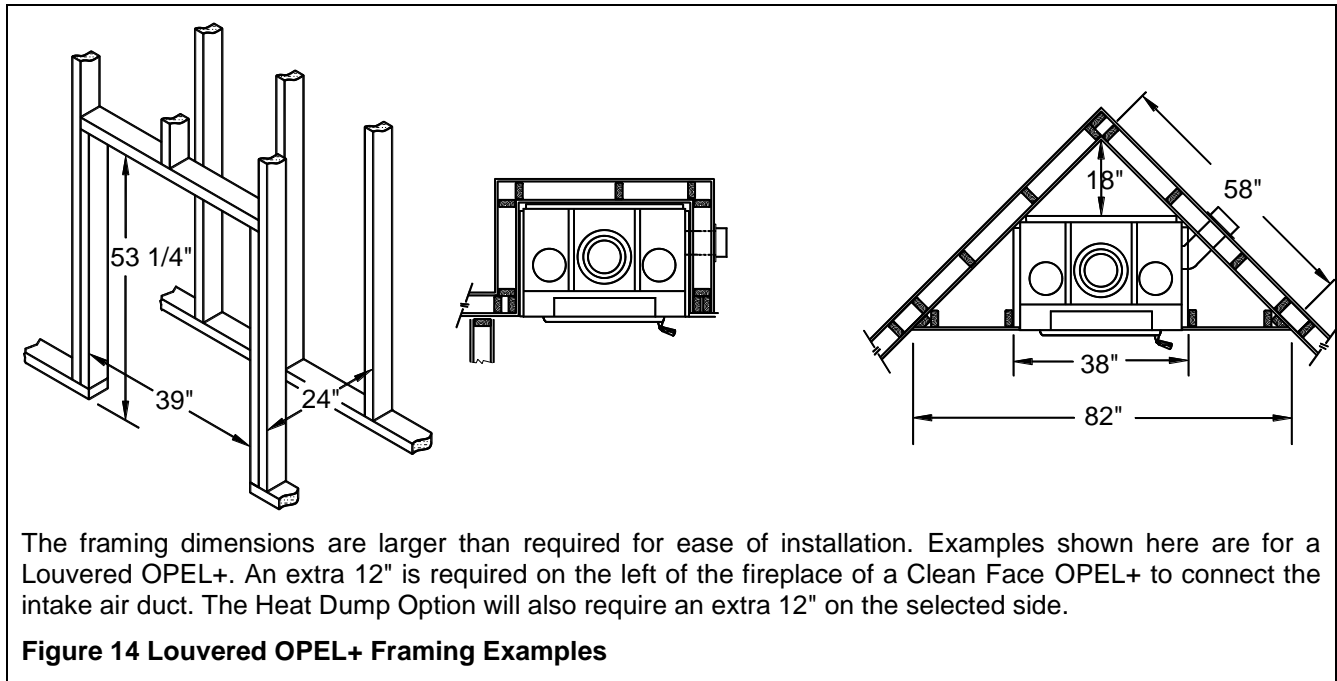
INSTALLATION

Check with your local authority having jurisdiction (such as municipal building department, fire department, fire prevention bureau, etc.) regarding restrictions and installation requirements, and the need to obtain a permit.

Remove the fireplace door. Store them in a safe place until the installation and finishing work is finished. Be aware that heavy duty cleaning products or acid solutions will permanently damage the plating.

LOCATION

Your OPEL+ fireplace may be installed in many different ways (see Figure 14) without any special floor reinforcement. We recommend that you take the time to plan your entire installation (fireplace, chimney, and options) before beginning the actual installation (refer to Figure 15 and Figure 16).



The framing dimensions are larger than required for ease of installation. Examples shown here are for a Louvered OPEL+. An extra 12" is required on the left of the fireplace of a Clean Face OPEL+ to connect the intake air duct. The Heat Dump Option will also require an extra 12" on the selected side.

Figure 14 Louvered OPEL+ Framing Examples

Dimensions of the fireplace along with clearances are shown in Figure 2 and Table 1.

❖ WARNING: IF THIS FIREPLACE IS NOT PROPERLY INSTALLED, A HOUSE FIRE CAN RESULT. FOR YOUR SAFETY, FOLLOW THE INSTALLATION INSTRUCTIONS AND CLEARANCES. DO NOT PACK REQUIRED AIR SPACES WITH INSULATION OR OTHER MATERIALS.

1. Note the location of roof and floor joists. Try to choose a location that does not require cutting them.
2. If at all possible, run the chimney up through the inside of the house. If it must be run outside, it should be enclosed in an insulated enclosure (see Installation: Chase Enclosure). Remember, a cold chimney causes poor draft.

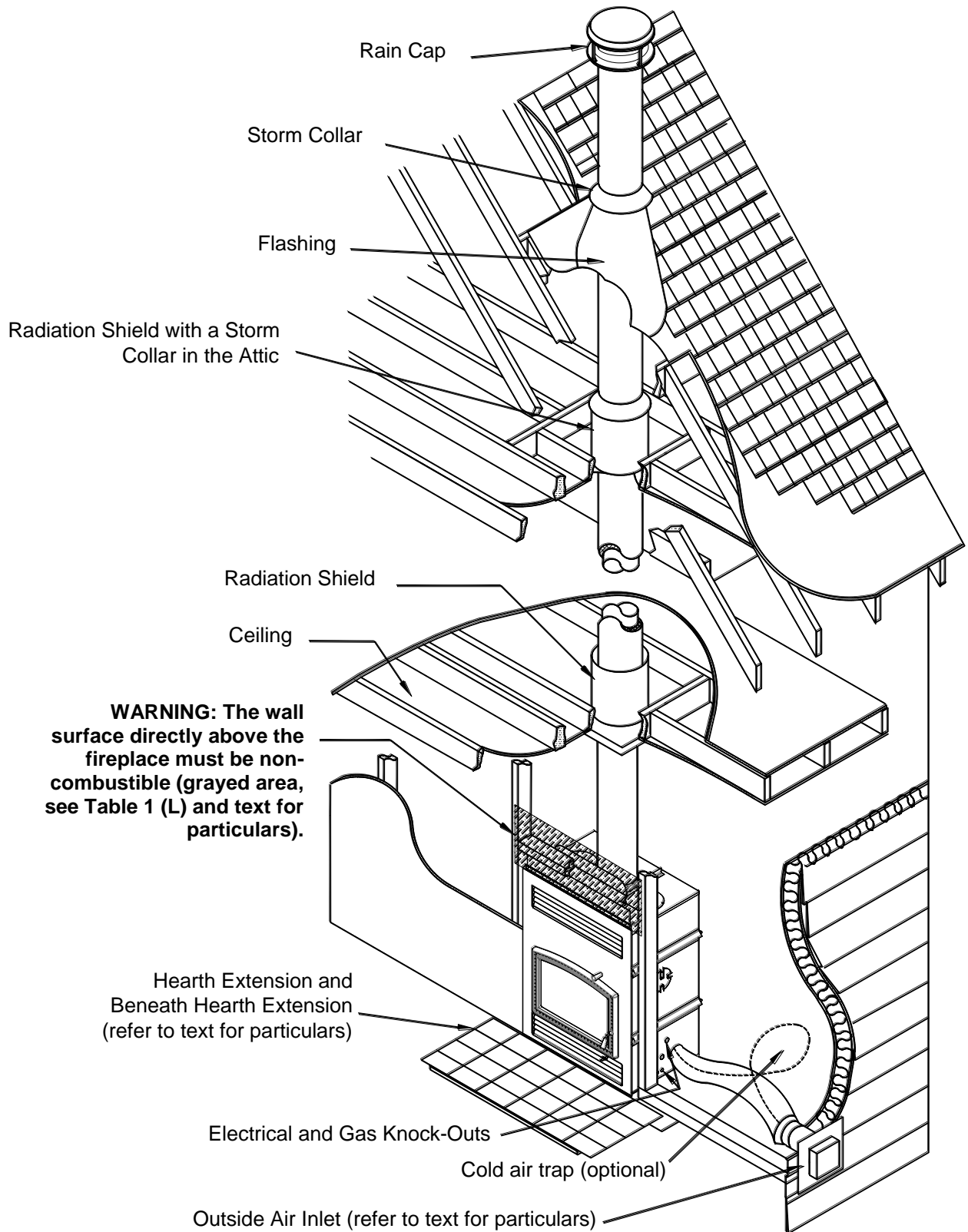


Figure 15 Louvered (top and bottom) - General Installation

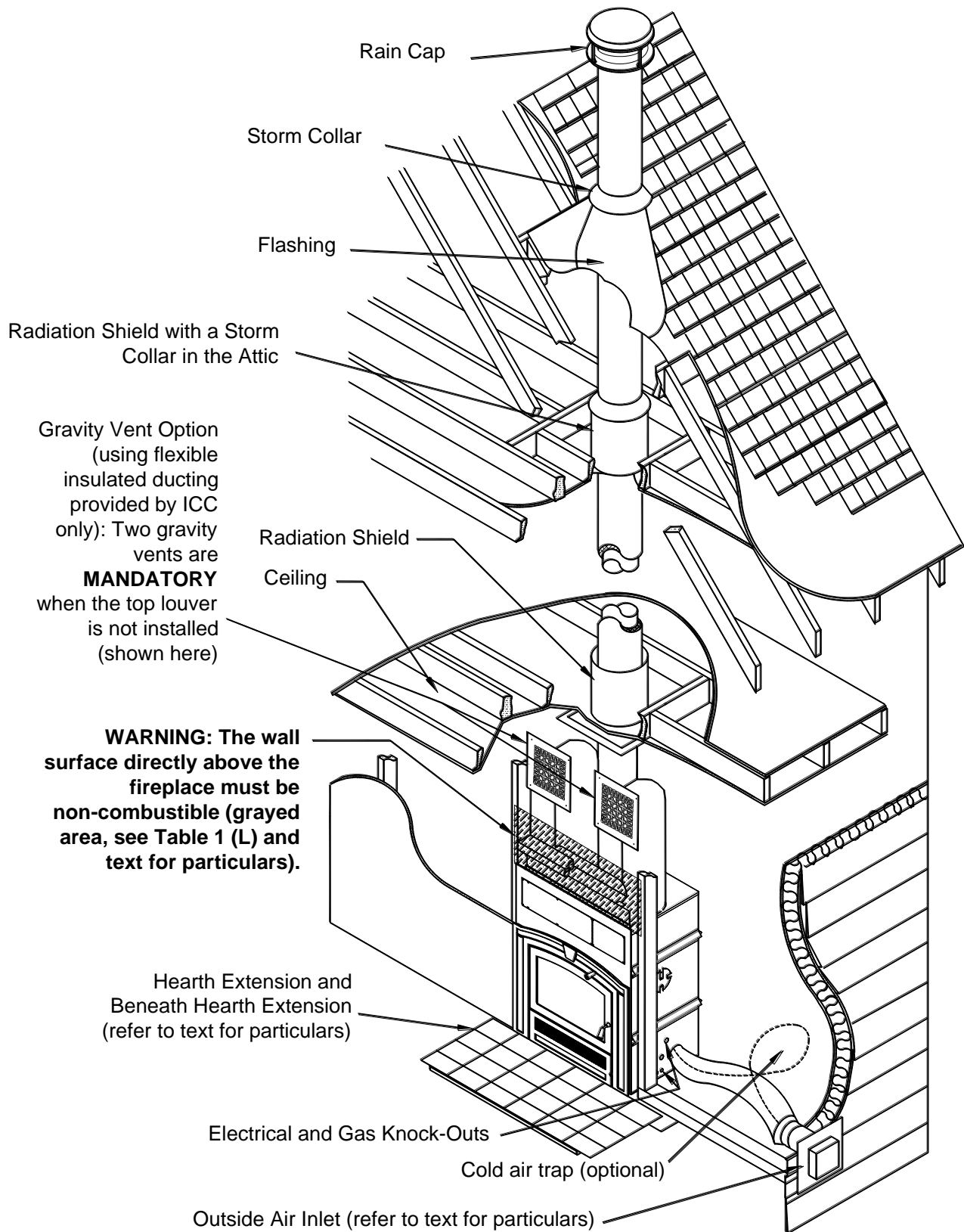
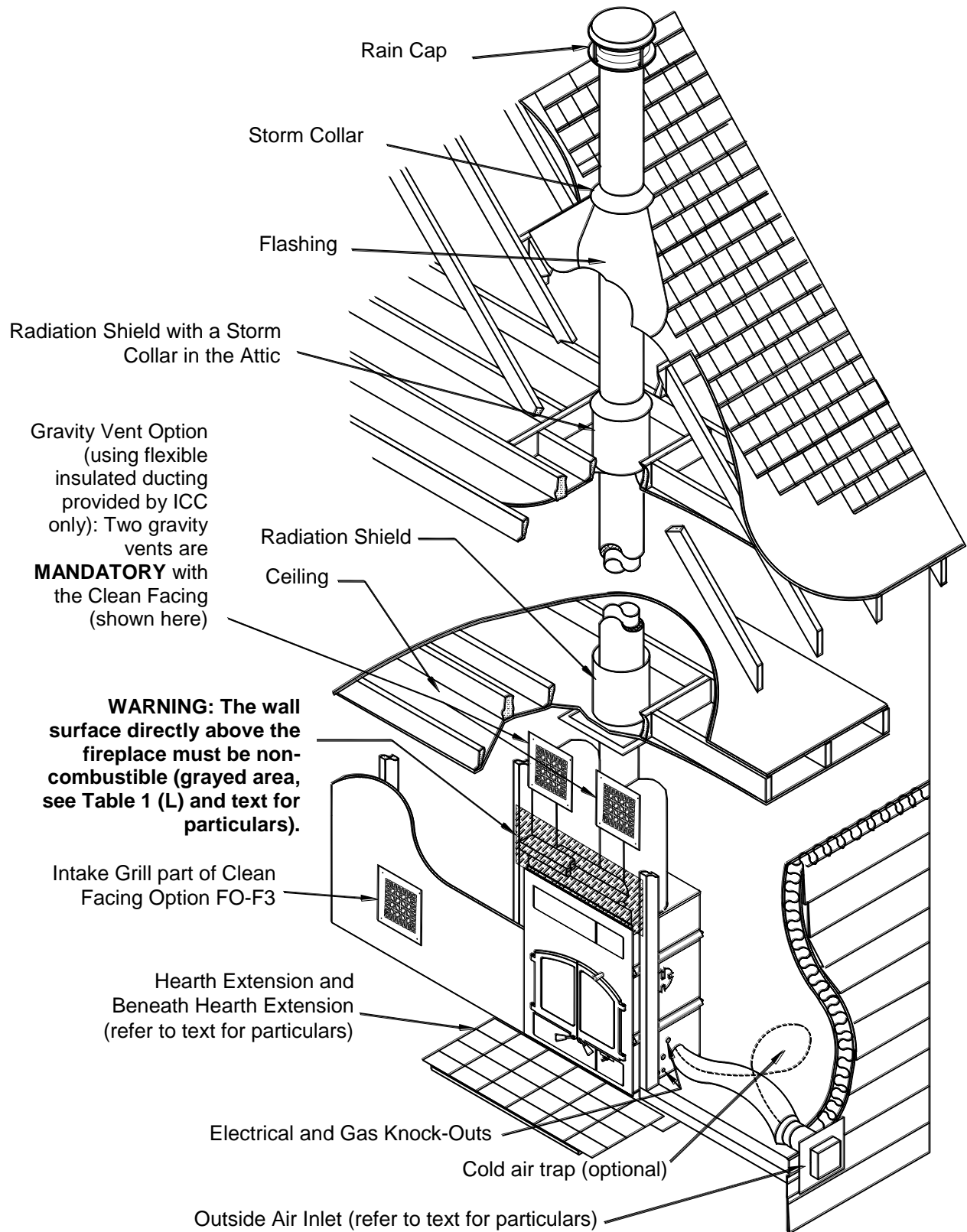


Figure 16 Top Louver Blocked - General Installation



WARNING: The wall surface directly above the fireplace must be non-combustible (grayed area, see Table 1 (L) and text for particulars).

Figure 17 Clean Face (both louvers blocked) - General Installation

CEILING CLEARANCE

Ceiling clearance is the distance from the base of the fireplace to the ceiling. If you vent the fireplace enclosure, you can then have a lower ceiling clearance as specified in Table 1 (C) for a vented enclosure.

For a vented enclosure, you **MUST** install regular venting 3"x10" grilles or larger into holes cut within 1' of both the floor and the ceiling, to allow room air to circulate through the fireplace enclosure and reduce heat buildup. These venting grilles may be placed vertically or horizontally.

Under no circumstances should the distance between the ceiling firestop and the base fireplace be less than the dimension specified in Table 1 (C).

STANDOFFS INSTALLATION

Before you begin installing your fireplace, you **MUST** install the standoff provided on the top of the fireplace.

The back shield **MUST** be open on the back side as shown at the top of the Figure 18. You can then install the standoff on the fireplace as shown in Figure 18 with the screws provided in the manual bag.

DO NOT fill the gap between the fireplace and the standoff with insulation or any other material; it will be covered with the finishing material.

SECURING THE FIREPLACE IN PLACE

The fireplace **MUST** be attached to the floor.

Using the four small brackets that were securing the fireplace to the crate, attach the casing or base of the fireplace to the floor. Position the brackets all around the fireplace in the same fashion as they were on the crate. If possible, try to have at least one of the brackets screwed into the floor joist with 2" wood screws.

FRAMING

The enclosure walls can be framed with any suitable materials (2x4 or 2x6 studs, plywood, gypsum board, etc.). Because of the high heat output potential of the OPEL+, combustible materials must **NOT** go closer to the fireplace than the standoffs, top, back and sides.

OUTSIDE AIR DUCT

After the fireplace is correctly positioned, connect the outside air inlet to the outside (see Figure 19).

Use an insulated aluminium flexible duct rated at over 200° F. The duct should not exceed 12' vertical rise above the base of the unit.

The air inlet should always be at least 5' lower than the chimney rain cap and must never terminate in attic spaces.

A 4" diameter duct can be used if the total duct run is less than 25'. For longer runs, use 5" diameter duct. Both 4" and 5" connecting sleeves are provided with the fireplace.

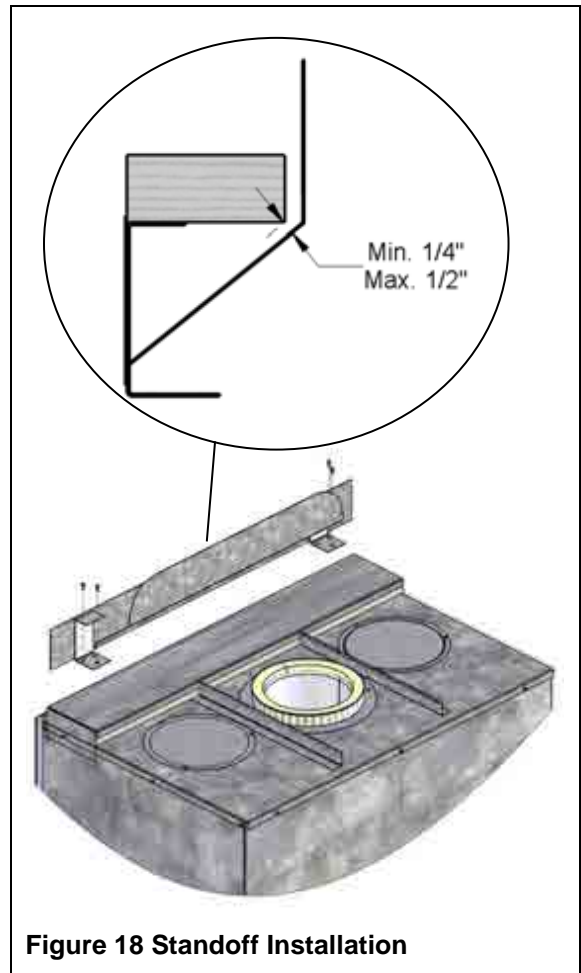


Figure 18 Standoff Installation

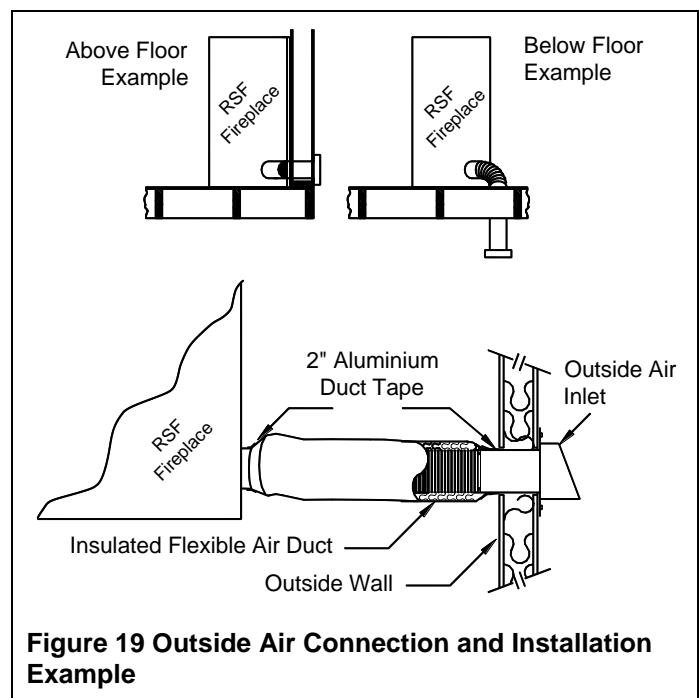


Figure 19 Outside Air Connection and Installation Example

1. Find a convenient location for the combustion air duct and outside air inlet. The outside air inlet can be above or below floor level.
2. Make a 4 ¼" (5 ¼" if using a 5" diameter duct) hole in the outside wall of the house. Push the outside air inlet in from the outside. Seal the joint between the air inlet and the outside wall with an appropriate sealant.
3. Place the insulated flexible duct over the round sleeve on the outside air inlet. At both ends, carefully pull back the insulation and plastic cover, exposing the flexible duct. Then at each end, attach the duct with metal screws to the air inlet and to the fireplace connecting sleeve. Carefully push the insulation and cover back over the duct. Tape the plastic cover in place with 2" aluminium duct tape.

❖ **CAUTION: WHEN RUNNING THE DUCT AROUND CORNERS, BE SURE TO PREVENT CRIMPING THE DUCT THAT WOULD RESTRICT THE COMBUSTION AIRFLOW.**

CHIMNEY

This fireplace is certified for use with 7" ICC Model EXCEL chimney only. Please refer to Table 1 (D-E) for the minimum and maximum chimney height permitted with the OPEL+ fireplace.

We recommend that the minimum height be increased by approximately 6" for every 1000' elevation above sea level. Every 15°, 30° or 45° offset (one pair of elbows) also increases the minimum height. See Table 3 for more precise recommended flue heights.

For example, if you are living 6015' above sea level, your chimney should terminate at least 15' from the top of the fireplace if it is a straight chimney or at least 18'6" if one 30° offset is used as shown in Table 3.

Table 3 Minimum Recommended Flue Height

Elevation (ft)	Number Of Offset						
	Straight Chimney	1 x 15°	2 x 15°	1 x 30°	2 x 30°	1 x 45°	2 x 45°
0 - 1000	Minimum 12'	13'	14'	15'	18'	16'	20'
1001 - 2000	12'6"	13'6"	14'6"	15'6"	19'	16'6"	20'
2001 - 3000	13'	14'	15'	16'	19'6"	17'	21'6"
3001 - 4000	13'6"	14'6"	15'6"	17'	20'	18'	22'6"
4001 - 5000	14'	15'	16'	17'6"	21'	18'6"	23'
5001 - 6000	14'6"	15'6"	17'	18'	21'6"	19'	24'
6001 - 7000	15'	16'	17'6"	18'6"	22'	20'	24'6"
7001 - 8000	15'6"	16'6"	18'	19'	23'	20'6"	25'6"
8001 - 9000	16'	17'	18'6"	20'	24'	21'	26'6"
9001 - 10000	16'6"	17'6"	19'	20'6"	24'6"	22'	27'

Flue height is measured from the top of the fireplace to the top of the chimney before installing the rain cap.

If you have two different offsets (two pairs of different elbows), simply use the column for two offsets of the biggest pair of elbows at your elevation to get your Minimum Flue Height.

CHIMNEY INSTALLATION

Make sure to read the EXCEL Chimney installation manual concerning requirements for supports, bracing, anchors, etc. The EXCEL Chimney manual is available at your RSF dealer or on our web site: www.icc-rsf.com. Refer to Table 1 (F) for the maximum chimney height that can be supported by the top of the fireplace.

❖ **WARNING: THE CLEARANCE BETWEEN THE CHIMNEY AND COMBUSTIBLE MATERIAL MUST BE 2" OR MORE. DO NOT FILL THIS AREA WITH INSULATION.**

1. Cut and frame the required holes in the floor(s), ceiling(s) and roof where the chimney will pass through. The rough opening in the framing is 13" square (the opening can be slightly bigger, up to 13 ½", but NEVER smaller).

- From below, install a radiation shield in each floor through which the chimney passes. At the attic level, install a radiation shield and a storm collar as shown in Figure 20.

❖ **WARNING: A RADIATION SHIELD MUST BE INSTALLED AT EACH FLOOR WHERE THE CHIMNEY PASSES THROUGH.**

- Place the first chimney length on the fireplace. Secure the chimney length to the fireplace with the three screws provided.

The chimney must extend at least 3' above its point of contact with the roof and at least 2' higher than any wall, roof, or building within 10' of it. If the chimney is higher than 5' above the roof, it must be secured using a roof brace.

- At the roof, install a roof radiation shield. The roof radiation shield must be installed so it extends 1" above the roof line.
- Put the roof flashing into place.

If the chimney is enclosed to the roof: use a vented flashing.

If the chimney is not enclosed to the roof: use a regular flashing.

- Seal the joint between the roof and the flashing with roofing tar. For sloping roofs, place the flashing under the upper shingles and on top of the lower shingles. Nail the flashing to the roof using roofing nails.
- Place the storm collar over the chimney and flashing. Seal it around the chimney with silicone sealer (**DO NOT use roofing tar**).

- Fit the rain cap on the chimney. Secure it tightly in place.

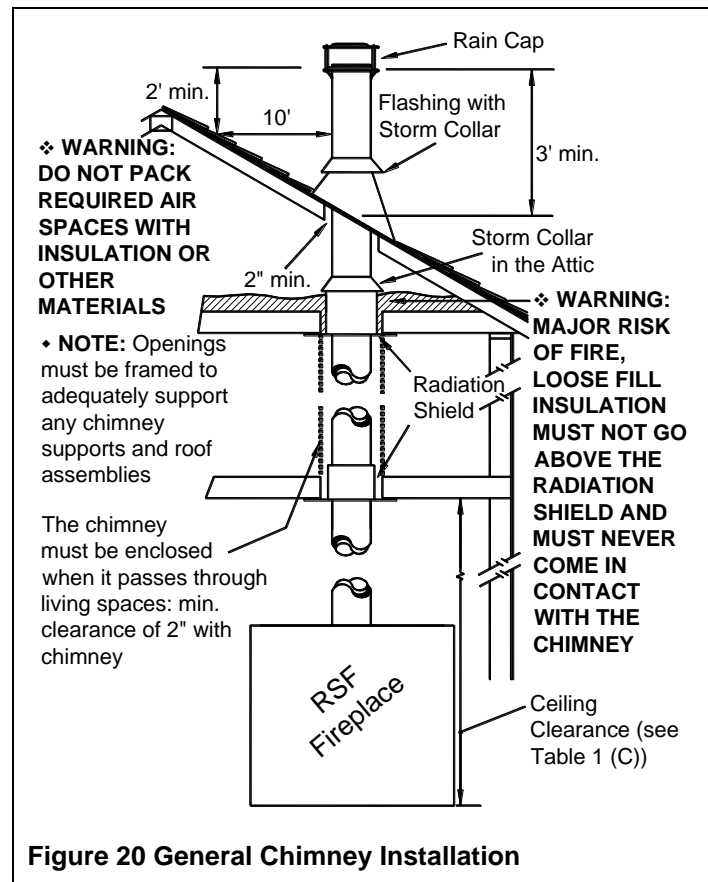


Figure 20 General Chimney Installation

OFFSET CHIMNEY

An elbow may be installed directly on top of the fireplace if required. See the detailed offset charts in the EXCEL chimney installation manual. Use the offset option if you need to clear a joist or pass around a cupboard. See Figure 21 and Figure 22 for examples.

- Maximum offset angle:
 - In **USA**: 30°;
 - In **Canada**: 45°.
- Maximum number of elbows: four, resulting in two offsets and returns.

Install the fireplace and chimney as described earlier. When you require an elbow, proceed as follows:

- Install the required elbow. Turn it in the desired direction, and fasten it to the other section with 3 metal screws at the joints.
- Install enough lengths to obtain the desired offset. Secure each joint with 3 metal screws.
- Use another elbow to return the chimney to the vertical direction.
- Install a roof support, a wall support, or an offset support above each offset to support the weight of the chimney (elbows are not designed to support the chimney above an offset).

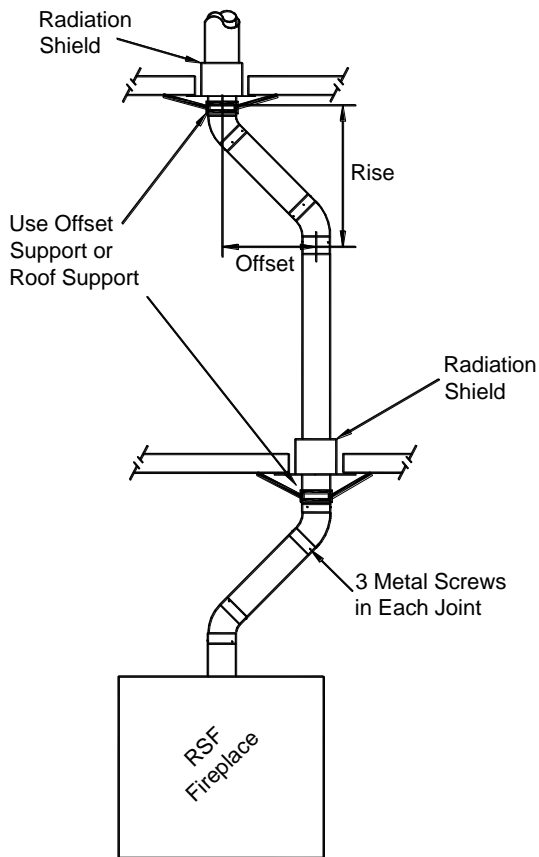


Figure 21 Offset Chimney Installation Example

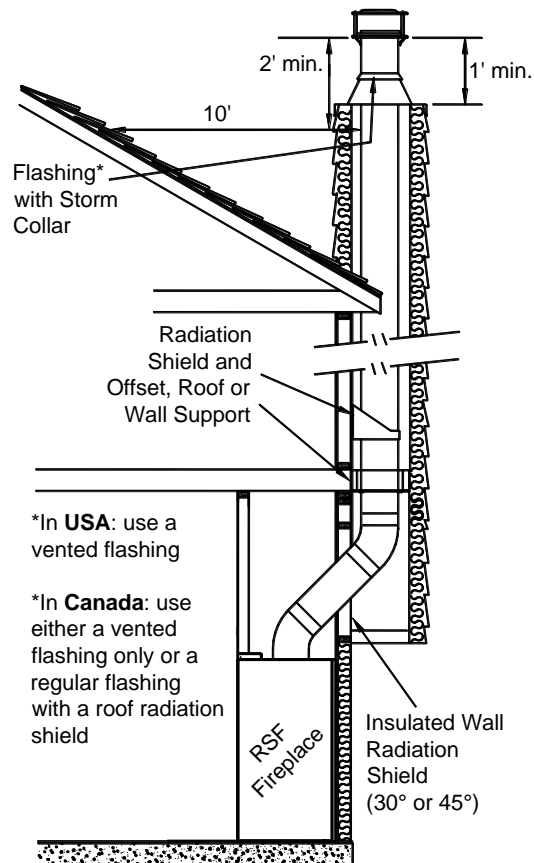


Figure 22 Offset Chimney Through a Wall Example

Through the Wall Offset

You can also go through the wall at an angle starting directly at the fireplace as depicted in Figure 22. An angled wall insulated radiation shield (XM-7EWRSI30 or XM-7EWRSI45) must be used wherever the chimney passed through an exterior wall. Make sure you have enough ceiling height. If not, you might want to consider installing the fireplace in an outside chase.

If the chimney is enclosed once outside of the house, do not install the outside plate of the angled wall insulated radiation shield.

Refer to the angled wall insulated radiation shield installation sheets for more detailed installations instructions.

CHASE ENCLOSURE

If the chimney runs up the outside of the house, we recommend that it be enclosed in a chase structure. The chase should be constructed in such a way that it is an extension of the home (see Figure 23). It should be well insulated between the footings and the floor of the home to prevent heat loss. If the climate in your area is mild, insulate the chase at least to the first firestop. If the climate in your area is very cold, insulate the chase to the top to keep the chimney warmer, increase the draft, and reduce creosote buildup. We also recommend to insulate the ceiling of the chase just as if it were in the attic space. This will prevent cold air from dropping down through the chase and into the room where the fireplace is installed (see Figure 23).

Some local codes require that the walls be insulated, vapor sealed and sheathed with a fire rated gypsum board (see Figure 23). We strongly recommend this procedure for all installations to prevent cold drafts from originating in the fireplace enclosure. If you follow this procedure, we recommend that you do not insulate the wall above the front of the fireplace.

◆ **REMEMBER:** Check local codes concerning installation requirements and restrictions in your area.

MASONRY CHIMNEY

Installing your OPEL+ fireplace with a masonry chimney still requires using EXCEL chimney from the top of the fireplace to the wall where it will connect to a listed liner that will run up inside the masonry chimney (see Figure 24).

The stainless steel liner should be fitted inside the clay liner all the way to the top of the masonry chimney. It is not meant to replace the clay liner. You can use either the EXCEL liner or any other listed liner to ULC-S635, ULC-S640 or UL-1777.

Special care is to be taken to make sure that you have a good solid connection between the EXCEL chimney and the liner. A masonry adaptor (FO-FDM7) was designed specifically for that purpose and is available from your RSF dealer. It will attach to the liner with 3 stainless steel rivets (provided) and to the EXCEL chimney with 3 screws (provided).

After mortaring in place, the connection between the EXCEL chimney and the liner should not be visible in order to isolate the heat released through the liner from the fireplace enclosure.

As depicted in Figure 24, you must install at least one 18" length of EXCEL chimney after the EXCEL chimney elbow. The uppermost part of the EXCEL chimney - where it enters the masonry chimney - must be a minimum of 12" from the ceiling.

♦ **NOTE:** If the ceiling is high enough, you can install one or more EXCEL chimney lengths directly on the fireplace before the elbow.

If you use a flexible liner, make sure to be careful when cleaning to ensure that the stainless steel flexible liner is not dislodged in any way.

Using an Existing Masonry Chimney

❖ **WARNING: IF YOU ARE CONSIDERING USING AN EXISTING CHIMNEY, IT MUST FIRST BE THOROUGHLY INSPECTED BY AN AUTHORITY HAVING JURISDICTION TO DETERMINE THE FOLLOWING:**

1. The masonry chimney is well constructed and fully lined, in accordance with Local Building Codes and the National Building Code of Canada (NBC) or National Fire Protection Association chimney standard (NFPA 211).
2. It has been thoroughly cleaned of any soot or creosote residue and inspected to determine that it is in good working condition.
3. There is no insulation of any type in contact with the masonry chimney and there is no insulation stuffed anywhere in the chimney.
4. All the necessary clearances around the masonry chimney, along the complete run of the

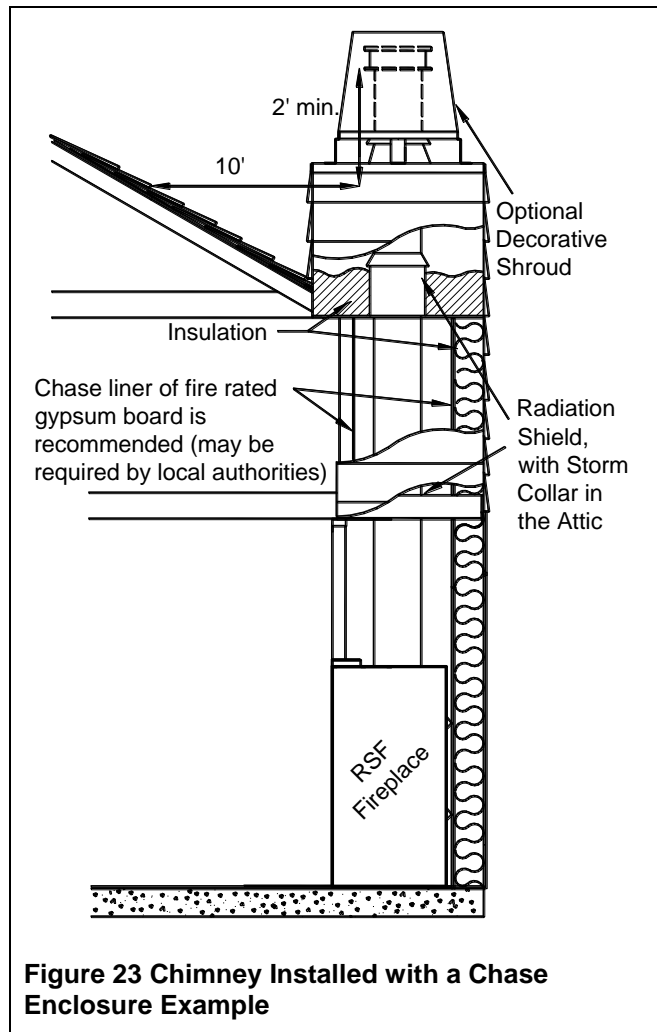


Figure 23 Chimney Installed with a Chase Enclosure Example

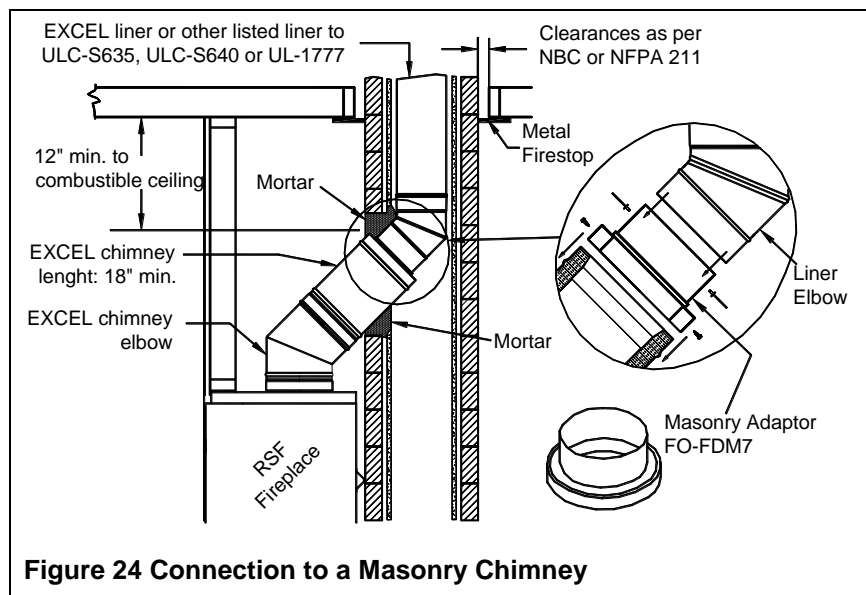


Figure 24 Connection to a Masonry Chimney

chimney, are respected as per NBC or NFPA 211. If the masonry chimney is enclosed in drywall, openings will probably be required in order to verify clearances at all points.

5. The masonry chimney will only be used for the fireplace and no other appliance.

If major repairs are required to meet the above conditions, a new chimney should be constructed.

To make the hole through the masonry chimney and make the connection to the fireplace, we recommend that you follow these steps:

1. Sight-in and mark the outline of where the EXCEL chimney will penetrate the masonry chimney.
2. Using a large ($\frac{3}{4}$ " - 2") masonry drill bit, drill a hole exactly in the center of the oval outline. With a masonry hammer and drill, slowly enlarge the hole to the size required. Remember to work from the center out. Be especially careful with the clay liner behind the brick because three sides of it must stay in place.
3. Bring the stainless steel liner down from the top of the chimney.

If you are using a rigid liner you will need enough room to secure an elbow to it with at least two screws.

If it is difficult to install rigid stainless steel liner in the existing masonry chimney or for a masonry chimney with less than 10"x10" inside, a listed stainless steel flexible liner can be used along with a flexible/rigid adaptor (LM-7LAF) available from your RSF dealer.

4. Install the liner elbow and masonry adaptor on the lower end of the liner.
5. Move the fireplace forward enough to install the EXCEL chimney on the fireplace (elbow and length) then move the fireplace back into position as you connect the masonry adaptor to the EXCEL chimney.

Using a New Masonry chimney

Since the masonry chimney is not build yet, we recommend that you position your fireplace, install the EXCEL chimney on it and connect to the first length of liner before building the chimney as explained above and shown in Figure 24 . The liner sections can easily be installed as the layers of brick are being placed. Since this is a new chimney, we recommend that you build it to the right size so you do not have to ovalize the liner but if you choose to use a 6"x10" clay liner you will need to ovalize the stainless steel liner to fit into the clay liner.

♦ **Remember:** The stainless steel liner should be fitted inside the clay liner all the way to the top of the masonry chimney. It is not meant to replace the clay liner.

FINISHING AROUND THE FIREPLACE

Finishing materials that cover the facing of the fireplace MUST BE NON-COMBUSTIBLE (e.g. brick, slate, ceramic tile, etc.). Drywall cannot get closer to the fireplace than the side standoffs and the top clearance specified in Table 1 (L) and shown in Figure 15 and Figure 16.

❖ **WARNING: MAKE SURE TO RESPECT THE TOP CLEARANCE SPECIFIED IN TABLE 1 (L).**

HEARTH EXTENSION

The area immediately in front of the fireplace must be protected by a non-combustible material such as brick, tile, stone, or slate. Refer to Table 1 (G-H) for the depth and width that the hearth protection should extend beyond the front and both sides of the door opening (see Figure 2). There is no minimum thickness required for the hearth extension.

BENEATH HEARTH EXTENSION

If the OPEL+ is installed on a non-combustible floor, the spark guard specified below is not required.

Install the spark guard provided (5" x 36" piece of sheet metal) halfway under the fireplace and halfway under the hearth extension and centered on the door opening. The spark guard will extend 2½" beneath the fireplace. This will make certain that sparks cannot lodge in this area and start a fire. If necessary, the provided spark guard can be cut to the minimum width specified in Table 1 (I).

If you are preparing a raised installation, you will need a custom-made spark guard, either a "Z" shaped spark guard or a right-angle spark guard (see Figure 25). The Z-shaped spark guard must be used if the height between the bottom of the fireplace and the top of the non-combustible flooring of the hearth extension is less than or equal to 2 ½". The height of the Z-shaped spark guard must equal the distance between the floor and the base of the unit and go under the hearth extension and the fireplace by at least 2 ½". If the unit is installed higher than 2 ½" from the top of the flooring, a right-angle spark guard is necessary. The sides of the right-angle spark guard should be at least 2 ½" x 2 ½" and must be covered with non-combustible material. Any custom-made spark guard must have the minimum width specified in Table 1 (I) and be installed centered on the door opening.

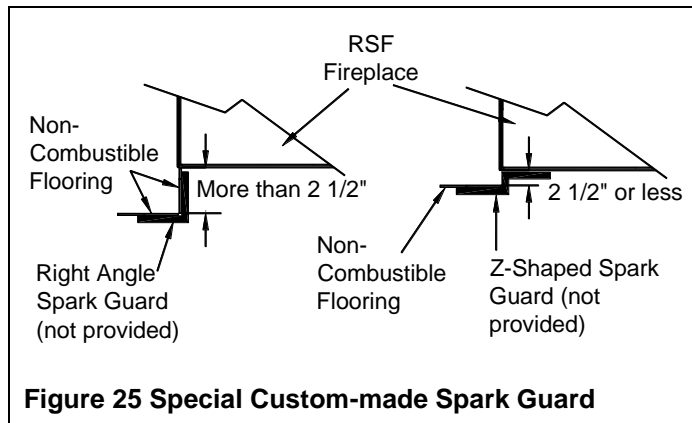


Figure 25 Special Custom-made Spark Guard

Any custom-made spark guard must have the minimum width specified in Table 1 (I) and be installed centered on the door opening.

♦ **NOTE:** Custom-made spark guards are not supplied.

MANTEL

Masonry and other non-combustible mantels (shelf and posts) can be placed anywhere on and around the fireplace facing, without blocking any of the bottom and top louvers unless you install the appropriate options (see the "Mandatory Options with a Blocked Top Louver" or "Mandatory Options with the Clean Face" section as appropriate).

For combustible mantel shelves, please see Table 1 (J-K) for the maximum depth and its installation clearance requirements. See Figure 2 for an example.

Vertical mantel posts on the sides of the fireplace opening must be non-combustible. Combustible mantel posts are not permitted unless they meet the clearance required to a perpendicular sidewall (see Table 1 (B)).

The only combustible material accepted below the minimum clearance for combustible materials above the fireplace (see Table 1 (L)) is for a mantel shelf.

MANDATORY OPTIONS WITH A BLOCKED TOP LOUVER

When blocking the top louver on your OPEL+, you MUST install TWO Gravity Vent Kits (sold separately, see the "Gravity Vent Options" to select the kit of your choice) to provide an evacuation path for the heat. Neglecting to install both gravity vents kits will result in overheating of the unit and may put your safety at risk. Refer to each option's installation instructions for particular details.

Use only genuine RSF parts. The use of any substitutes will decertify the system and may put your safety at risk.

MANDATORY OPTIONS WITH THE CLEAN FACE

When installing a Clean Face (FO-F3) on your OPEL+, you MUST install the intake duct (part of FO-F3) to provide sufficient air to the unit along with two Gravity Vent Kits ((sold separately, see the "Gravity Vent Options" to select the kit of your choice)) to provide an evacuation path for the heat. Neglecting to install either one of these will result in overheating of the unit and may put your safety at risk. Refer to each option's installation instructions for particular details.

Use only genuine RSF parts. The use of any substitutes will decertify the system and may put your safety at risk.

REFRACTORY BRICK INSTALLATION

Before lighting your first fire, you must make sure the refractory bricks are properly installed inside the firebox. This is easily accomplished with the following instructions. To remove any of the refractory bricks, just follow the installation procedure in the reverse sequence. Refer to Figure 26 to adequately identify which refractory brick is the left and which is the right at each step of the installation.

1. First, install both back refractory bricks (1).
2. Continue by installing both side rear refractory bricks (2).
3. Next install the front side refractory bricks (3) and (4) with the finished side towards the front of the unit.
4. Then install both left and right bottom refractory bricks (5) and (6) before installing the bottom central refractory brick (7).
5. Finish by installing both front refractory bricks (8) and (9).

These refractory bricks have been designed specifically for the OPEL+ and no modifications are required to ensure a proper fit.

GAS LOG INSTALLATION

The OPEL+ can be converted into a gas fireplace as long as you keep the combustion air control lever all the way open (towards the right) and keep the bypass open at all times, and make the modifications to the fireplace as explained below. This is to allow enough air for an adequate and safe operation of the gas log. You can use any gas log set up to a maximum of 35,000 BTU that is listed to ANSI Z21.60/CSA 2.26.

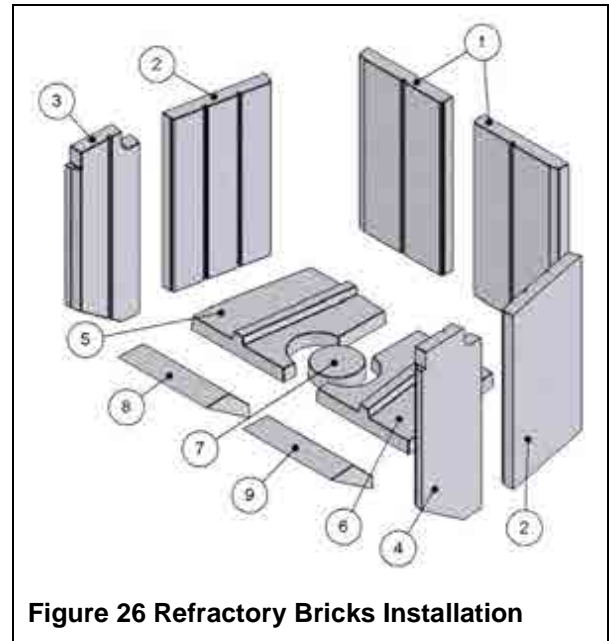


Figure 26 Refractory Bricks Installation

❖ WARNING: THIS FIREPLACE HAS NOT BEEN TESTED WITH AN UNVENTED GAS LOG SET. TO REDUCE RISK OF FIRE OR INJURY, DO NOT INSTALL AN UNVENTED GAS LOG SET INTO THIS FIREPLACE.

Remember that the installation of the gas line should be done by qualified personnel. All gas installations should be in accordance with local ordinances and the appropriate Gas Code.

We do not require any minimum clearances between the side or the top of the firebox and the gas log set. However, any clearances stated by the gas log set manufacturer must be maintained. You may install the gas valve inside the firebox if the gas log set manufacturer allows this in its installation instructions, and if the required clearances are met.

To convert the OPEL+ please carefully follow the following steps:

6. There is a 1 ½" hole on both sides of the fireplace, about 9" up from the bottom of the fireplace. The gas line must come into the fireplace through one of these holes. Choose the side of installation that is more convenient to you.
7. There are a few parts that you need to remove from the OPEL+ to be able to accommodate a gas firelog. Make sure to store them for safekeeping, you will need to reinstall them all if you ever intend to burn wood again in your OPEL+:
 - Remove the round central refractory brick.
 - Remove the two bottom refractory brick from the firebox.
 - Open the bottom louver and remove the nut and bolt on the central plug of the firebox. The nut is a locknut so you will need to hold it tightly to unscrew the bolt. Remove the top and bottom plates, the nut and the bolt.
8. Remove the side firebrick on the side that you have decided to bring the gas into the fireplace, you will need to drill a hole from the outer side of the fireplace through the side of the firebox.
9. Then you will need to drill or break a hole through the side firebrick to allow the gas line through once you put the firebrick back in place.
10. Make sure to leave the ash pan hole completely open, this will bring air to the gas log.
11. Proceed with the installation of the gas log as per the gas log manufacturer installation instructions. Make sure to carefully read and follow the gas log installation instructions. Make sure also to respect all clearances stated by the gas log manufacturer.

❖ WARNING: THE MAXIMUM GAS OUTPUT ALLOWED IN THE OPEL+ IS 35,000 BTU. THE GAS LOG HAS TO BE LISTED TO ANSI Z21.60/CSA 2.26. THE COMBUSTION AIR CONTROL MUST BE FULLY OPEN WHEN THE GAS LOG IS FUNCTIONING.

When operating an OPEL+ with a gas log installed, make sure to follow the gas log manufacturer operating instructions.

LISTING LABEL

The listing label is glued to the bottom of the fireplace. Just remove the bottom louver, the listing label is below the floor shield.

Will be available soon

COMPLETE OPTIONS LIST

		Electricity Required
FO-A	Andirons	
FO-AP	Ash Pan Kit	
FO-BRE	Bypass Rod Extension	
FO-D	Gravity Vent Damper	
FO-DTD	Digital Temperature Display	
FO-DUCT5	Insulated Duct 5 feet	
FO-F3	Clean Face Kit	
FO-FDGRK2	Gasket Replacement Kit – Opel2C	
FO-GRK4	Gasket Replacement Kit – Opel3C, Opel4C and Keystone	
FO-FDHB5-N	Blower - Internal	✓
FO-FDHB6-1	Blower - Central Heat (not EPA certified)	✓
FO-FDHC4	Thermostat Kit	✓
FO-FDHC6	Central Heat Control	✓
FO-FDHC6-1	Back Draft Damper	
FO-FDHCZ1	Zone Heat Control	✓
FO-FDHCZ2	Zone Damper Kit	✓
FO-FDM7	Masonry Chimney Adapter 7"	
FO-HD	Heat Dump Kit	✓
FO-INT	Outside Air Kit 4" diameter	
FO-KK	Rock Retainer Kit for Opel+ Keystone	
FO-KP3	Rock Retainer Kit for partial, full coverage or Clean Face	
FO-OPLB	Opel Louver Kit – Black	
FO-OPLC	Opel Louver Kit – Decorative Black	
FO-OPLK	Opel+ Keystone Top Louver	
FO-PDTB	Opel3 – Decorative Trim – Black	
FO-PDTG	Opel3 – Decorative Trim – Gold	
FO-PDTP	Opel3 – Decorative Trim – Pewter	
FO-T	Central Heat T Option	
FO-V2	Gravity Vent Kit	
FO-V3	Rectangular Gravity Vent Kit	
FO-VGC	Contemporary Vent Grill	

CONFIGURED OPTIONS LIST

Clean Face or Blocked Top Louver OPEL+	Required	Optional	Not available
Clean Face Option	FO-F3 For clean face		
Rock Retainer Kit (with blocking plate)	FO-KP3 or FO-KK for blocked top louver		
Gravity Vent Kit	FO-V2 or FO-V3 (2)		
Blower – Central Heat		FO-FDHB6-1*	
Thermostat kit (must be installed before facing and must be accessible for servicing)		FO-FDHC4	
Heat Dump Kit		FO-HD	
Rock Retainer Kit for partial, full coverage or Clean Face		FO-KP3	
Central Heat T Option		FO-T	
Ash Pan Kit			FO-AP
Gravity Vent Damper			FO-D
Blower (internal fan)			FO-FDHB5-N

Louvered OPEL+	Required	Optional	Not available
Opel Louvers – Black or	FO-OPLB		
Opel Louvers – Decorative Black	FO-OPLC		
Opel+ Louvers – Blade Style	FO-OPLBS		
Opel + Louvers - Keystone	FO-OPLK		
Ash Pan Kit		FO-AP	
Gravity Vent Damper		FO-D (not available for 4C and Keystone)	
Blower - Internal		FO-FDHB5-N	
Blower - Central Heat (not EPA certified)		FO-FDHB6-1*	
Thermostat kit		FO-FDHC4	
Heat Dump Kit		FO-HD	
Rock Retainer Kit for partial, full coverage or Clean Face		FO-KP3	
Gravity Vent Kit		FO-V2 or FO-V3 (1 or 2)	

* Possible add-ons: FO-FDHC6, FO-FDHCZ1, FO-FDHCZ2

REPLACEMENT PARTS

Will be available soon



LIMITED WARRANTY

30 Years Limited Warranty

All RSF Woodburning Fireplaces models are warranted against defects in material and workmanship for a period of 30 years, subject to the following conditions:

During the first year **RSF Woodburning Fireplaces** will repair or replace, at our option, any parts which upon examination by an authorized **RSF Woodburning Fireplaces** representative, are found to be defective, except the parts listed in the EXCLUSIONS portion of this warranty. **RSF Woodburning Fireplaces** will also pay reasonable labor costs for the repair work.

During the second through fifth years **RSF Woodburning Fireplaces** will repair or replace, at our option, any parts which upon examination by an authorized **RSF Woodburning Fireplaces** representative, are found to be defective, except the parts listed in the EXCLUSIONS portion of this warranty. **RSF Woodburning Fireplaces** shall not be responsible for any labor costs associated with this repair work.

During the sixth through thirtieth years **RSF Woodburning Fireplaces** will provide replacement parts, if available, at 50% of the published retail price, except for the parts listed in the EXCLUSIONS portion of this warranty. **RSF Woodburning Fireplaces** shall not be responsible for any labor costs associated with this repair work.

EXCLUSIONS:

- Electrical components are warranted for one year only.
- Glass and plating.
- Damage due to normal wear and tear, such as paint discoloration, worn gaskets, eroded or cracked refractory components.
- Repairs or replacements necessitated by vandalism, neglect, abuse, over-firing, improper fuel or fuel loads, or failure to adequately service the unit, as stated in the owner's manual.
- Repairs or replacements (particularly charges for travel and labor) not authorized by **RSF Woodburning Fireplaces** in advance.

LIMITATIONS:



- All items found to be defective will be replaced or repaired upon return of the defective part to an authorized **RSF Woodburning Fireplaces** dealer. **RSF Woodburning Fireplaces** will not be responsible for freight costs related to shipping replacement parts.
- Any complete fireplace, or part thereof, that is replaced or serviced under this warranty, will be warranted for a period not exceeding the remaining term of the original warranty.
- This warranty is not transferable.
- This warranty does not apply to damage to the appliance while in transit.
- This warranty does not apply if the installation does not conform to the installation requirements in the owner's manual.
- The Catalytic Combustor is under warranty by RSF Woodburning Fireplaces for five (5) years from the date of original retail purchase. The purchaser shall pay the following share of the then current retail price for the combustor: the first two (2) years no charge, 3rd year 60%; 4th year 70%, 5th year 80%. The Catalyst must be returned to your dealer along with a completed Combustor Failure Report (available online on RSF website under the warranty section) and original proof of purchase document.

RSF Woodburning Fireplaces is free of liability for any damages caused by the appliance, as well as material and labor charges incurred in the removal or re-installation of any **RSF Woodburning Fireplaces** fireplace under this warranty. Incidental or consequential damages are not covered by this warranty.

The remedies set forth herein are exclusive, and the liability of the seller shall not exceed the price of the fireplace or part thereof upon which the liability is based.

This warranty is expressly in lieu of all other warranties expressed or implied, including the warranties of merchantability and fitness for use and all other obligations or liabilities on the part of **RSF Woodburning Fireplaces**.

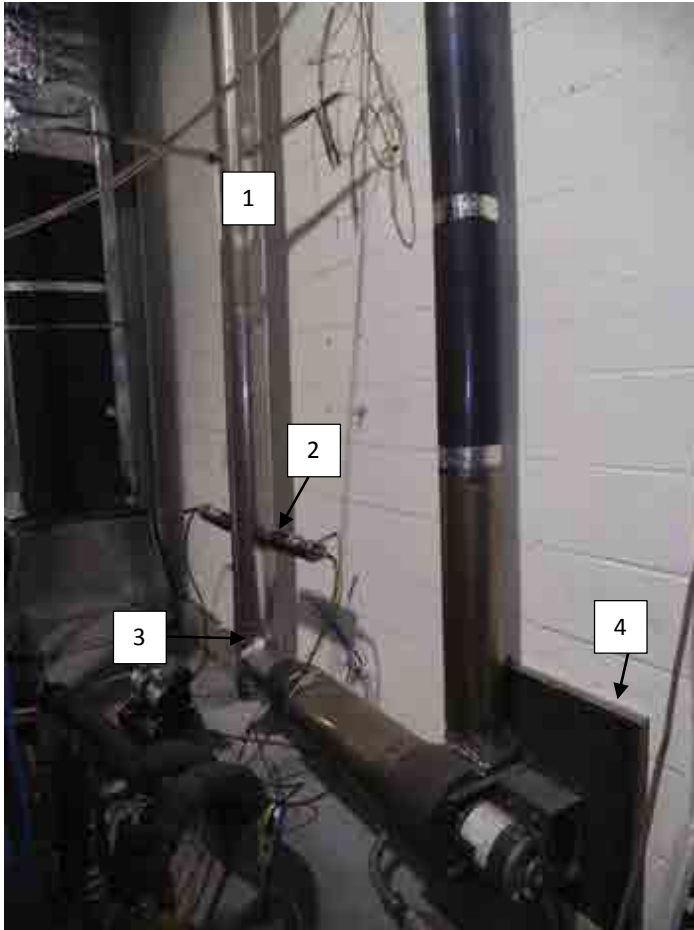
Nom de l'étiquette / Label Name:	Opel+2C/Opel+3C/Opel+4C/Opal+ Keystone, # série / serial #
Numéro de l'étiquette IDENCO / Printer (IDENCO) label reference number:	B- XXXXX
Matériel de l'étiquette / Label Material:	Aluminium foil
Épaisseur de l'étiquette / Label Thickness:	0.002"
Couleur de l'étiquette / Label Color:	Noire mat avec lettrage blanc / Black mat with white letters
Dimension de l'étiquette / Label Dimension:	10 1/4" large/width x 4 13/16" haut/high (la hauteur peut être changée si nécessaire)
Numéro de dessin / Drawing Number:	9303xx
Numéro Syteline / Syteline Number:	9303xx
Numéro sur l'étiquette / Reference Number on Label:	9303xx

<p>LISTED FACTORY FIREPLACE AND SPACE HEATER</p> <p>MODEL: OPEL+2C / OPEL+3C / OPEL+4C / OPEL+ KEYSTONE</p> <p>TESTED TO: UL-127 / ULCS610 / ULC-S627 EPA 2020 CERTIFIED AT 0.7 G/H</p> <p>INSTALL AND USE ONLY IN ACCORDANCE WITH THE MANUFACTURER'S INSTALLATION AND OPERATING INSTRUCTIONS. DO NOT OBSTRUCT COMBUSTION AIR INLET. DO NOT USE A FIREPLACE INSERT OR OTHER PRODUCTS NOT SPECIFIED FOR USE IN THIS PRODUCT. OPERATE WITH DOOR FULLY OPEN OR FULLY CLOSED. OPEN BYPASS BEFORE OPENING THE DOOR(S).</p> <table border="1" style="width: 100%; border-collapse: collapse;"> <thead> <tr> <th colspan="2" style="text-align: center;">MINIMUM CLEARANCES TO COMBUSTIBLES MATERIALS</th> </tr> </thead> <tbody> <tr> <td style="padding: 2px;">SIDEWALL</td> <td style="padding: 2px;">16 IN. (406 mm) FROM FIREBOX OPENING</td> </tr> <tr> <td style="padding: 2px;">*HEIGHT OF MANTEL SHELF: MAX. 12 IN. (305 mm) DEEP</td> <td style="padding: 2px;">36 1/2 IN. (927 mm) FROM FIREBOX OPENING</td> </tr> <tr> <td style="padding: 2px;">UNIT BACK, SIDES AND BOTTOM</td> <td style="padding: 2px;">0" (0 mm) TO SPACERS</td> </tr> </tbody> </table> <p>*SEE INSTALLATION INSTRUCTIONS FOR OTHER MANTEL HEIGHTS VS DEPTHS.</p> <p>COMBUSTIBLE MATERIALS ARE NOT PERMITTED ON FACE OF UNIT. NON-COMBUSTIBLE HEARTH EXTENSION MUST BE 18 IN. (457 mm) DEEP BY 42 IN. (1070 mm) WIDE, AS SPECIFIED IN THE INSTALLATION MANUAL.</p> <p>COMPONENTS REQUIRED FOR INSTALLATION:</p> <ul style="list-style-type: none"> - USE 4 IN. OR 5 IN. (102 OR 130 mm) DIAMETER FLEXIBLE DUCT AND COMBUSTION AIR INLET ASSEMBLY. - USE THE ICC MODEL 7 IN. (190 mm) EXCEL CHIMNEY AND LISTED COMPONENTS AS PER INSTALLATION INSTRUCTIONS. <p>REFER TO MANUFACTURER'S INSTALLATION AND OPERATING INSTRUCTIONS FOR OPTIONAL COMPONENTS: FANS, GRAVITY VENT SYSTEM AND CENTRAL HEATING ACCESSORIES. ONLY ORIGINAL RSF OPTIONS SHOULD BE USED WITH THIS FIREPLACE, AND PURCHASE THROUGH RSF DEALERS.</p> <p>WARNING: THIS FIREPLACE HAS NOT BEEN TESTED WITH AN UNVENTED GAS LOG SET. TO REDUCE RISK OF FIRE OR INJURY, DO NOT INSTALL AN UNVENTED GAS LOG SET INTO THE FIREPLACE. REPLACE GLASS ONLY WITH 5MM CERAMIC GLASS. OPERATE ONLY WITH FIREBRICK IN PLACE. FOR USE WITH SOLID WOOD FUEL ONLY. DO NOT OVERFIRE UNIT.</p> <p>THIS WOOD HEATER CONTAINS A CATALYTIC COMBUSTOR, WHICH NEEDS INSPECTION AND REPLACEMENT FOR PROPER OPERATION. CONSULT THE OWNER'S MANUAL FOR FURTHER INFORMATION. IT IS AGAINST FEDERAL REGULATIONS TO OPERATE THIS WOOD HEATER IN A MANNER INCONSISTENT WITH THE OPERATING INSTRUCTIONS IN THE OWNER'S MANUAL, OR IF THE CATALYTIC ELEMENT IS DEACTIVATED OR REMOVED.</p> <p>THIS WOOD HEATER IS NOT APPROVED FOR USE WITH A FLUE DAMPER OTHER THAN AN OPEN-CLOSE FLUE DAMPER.</p>	MINIMUM CLEARANCES TO COMBUSTIBLES MATERIALS		SIDEWALL	16 IN. (406 mm) FROM FIREBOX OPENING	*HEIGHT OF MANTEL SHELF: MAX. 12 IN. (305 mm) DEEP	36 1/2 IN. (927 mm) FROM FIREBOX OPENING	UNIT BACK, SIDES AND BOTTOM	0" (0 mm) TO SPACERS	 <p style="writing-mode: vertical-rl; transform: rotate(180deg);">NUMBER:</p>	<p style="text-align: center;">DO NOT REMOVE THIS LABEL</p> <p style="text-align: center; font-size: small;">U.S. ENVIRONMENTAL PROTECTION AGENCY CERTIFIED TO COMPLY WITH 2020 PARTICULATE EMISSION STANDARDS USING CRIB WOOD.</p> <p style="text-align: center; font-size: x-small;">FIREPLACE; FIRE CHAMBER FOR USE WITH ICC CERTIFIED MODEL RESIDENTIAL TYPE AND BUILDING HEATING APPLIANCE CHIMNEY</p> <div style="border: 1px solid black; padding: 5px; text-align: center; margin: 10px auto; width: 80%;"> <p>RSF QR code .90" x .90"</p> </div> <p style="text-align: center; font-size: x-small;">SERIAL NO. / NO DE SÉRIE</p> <p style="text-align: center; font-size: x-small;">DATE MANUFACTURED DATE DE FABRICATION</p> <p style="text-align: center; font-size: x-small;">MANUFACTURED BY / FABRIQUÉ PAR:</p> <p style="text-align: center; font-size: x-small;">ICC, 400 J.F. KENNEDY, ST-JEROME, QC, CANADA, J7Y 4B7</p>  <p style="text-align: center; font-size: x-small;">MADE IN CANADA FABRIQUÉ AU CANADA</p>
MINIMUM CLEARANCES TO COMBUSTIBLES MATERIALS										
SIDEWALL	16 IN. (406 mm) FROM FIREBOX OPENING									
*HEIGHT OF MANTEL SHELF: MAX. 12 IN. (305 mm) DEEP	36 1/2 IN. (927 mm) FROM FIREBOX OPENING									
UNIT BACK, SIDES AND BOTTOM	0" (0 mm) TO SPACERS									
<p>NE PAS ENLEVER CETTE ÉTIQUETTE</p> <p>CERTIFIÉ CONFORME PAR EPA (É.-U.) AUX NORMES 2020 D'ÉMISSION DE PARTICULES EN UTILISANT UNE CHARGE NORMALISÉE.</p> <p>INSTALLER ET UTILISER SELON LES INSTRUCTIONS D'INSTALLATION ET DE FONCTIONNEMENT DU MANUFACTURIER. NE PAS OBSTRUER L'ENTRÉE D'AIR COMBURANT. N'UTILISEZ PAS D'ENCASTRABLE OU AUTRES PRODUITS NON SPÉCIFIÉS POUR UTILISATION AVEC CE PRODUIT. FAIRE FONCTIONNER LE FOYER AVEC LA PORTE COMPLÈTEMENT OUVERTE OU FERMÉE. OUVRIR LE REGISTRE DE DÉRIVATION AVANT D'OUVRIR LA(LES) PORTE(S).</p> <table border="1" style="width: 100%; border-collapse: collapse;"> <thead> <tr> <th colspan="2" style="text-align: center;">DÉGAGEMENTS MINIMAUX AUX MATÉRIEAUX COMBUSTIBLES</th> </tr> </thead> <tbody> <tr> <td style="padding: 2px;">MUR DE CÔTÉ</td> <td style="padding: 2px;">16 PO. (406 mm) DE L'OUVERTURE DE LA BOÎTE À FEU</td> </tr> <tr> <td style="padding: 2px;">*HAUTEUR DE LA TABLETTE DE MANTEAU DE CHEMINÉE: MAX. 12 PO. (305 mm) PROFOND</td> <td style="padding: 2px;">36 ½ PO. (927 mm) DE L'OUVERTURE DE LA BOÎTE À FEU</td> </tr> <tr> <td style="padding: 2px;">ARRIÈRE, CÔTÉS ET BASE DE L'APPAREIL</td> <td style="padding: 2px;">0" (0 mm) AUX ESPACEURS</td> </tr> </tbody> </table> <p>* VOIR LE MANUEL D'INSTALLATION POUR AUTRES HAUTEURS VS PROFONDEURS DE LA TABLETTE.</p> <p>LES MATÉRIEAUX COMBUSTIBLES NE SONT PAS PERMIS SUR LA FAÇADE DE L'APPAREIL. LE PROLONGEMENT DE L'ÂTRE INCOMBUSTIBLE DOIT ÊTRE DE 18 PO. (457 mm) DE PROFONDEUR PAR 42 PO. (1070 mm) DE LARGEUR MINIMUM SUIVANT LES SPÉCIFICATIONS DU MANUEL D'INSTALLATION.</p> <p>PIÈCES REQUISES POUR L'INSTALLATION:</p> <ul style="list-style-type: none"> - TUYAU FLEXIBLE DE 4 PO. OU 5 PO. (102 OU 130 mm) DIA. ET PRISE D'ENTRÉE D'AIR. - UTILISER UNE CHEMINÉE EXCEL 7 PO. (190 mm) DE DIAMÈTRE DE ICC ET SES COMPOSANTS HOMOLOGUÉES SELON LES INSTRUCTIONS D'INSTALLATION. <p>VOIR LES INSTRUCTIONS D'INSTALLATION DU MANUFACTURIER POUR LES COMPOSANTS OPTIONNELS: VENTILATEURS, SYSTÈME D'ÉVENT PAR GRAVITÉ ET ACCESSOIRES DE CHAUFFAGE CENTRAL. SEULES LES OPTONS ORIGINALES DE RSF DOIVENT ÊTRE UTILISÉES, ET ACHETÉES PAR L'ENTREPRISE DE DÉTAILLANTS RSF.</p> <p>AVERTISSEMENT: CE FOYER N'A PAS ÉTÉ TESTÉ AVEC UNE BÛCHE À GAZ SANS ÉVÈNT. POUR RÉDUIRE LES RISQUES DE FEU ET DE BLESSURES, NE PAS INSTALLER DE BÛCHE À GAZ SANS ÉVÈNT DANS CE FOYER. LE REMPLACEMENT D'UNE VITRE DOIT SE FAIRE AVEC UNE VITRE CÉRAMIQUE DE 5MM D'ÉPAISSEUR SEULEMENT. OPÉRER SEULEMENT AVEC LES PIERRES RÉFRACTAIRES EN PLACE. POUR UTILISATION AVEC DU BOIS SEULEMENT. NE PAS SURCHAUFFER L'APPAREIL.</p> <p>CET APPAREIL AU BOIS CONTIENT UN CATALYSEUR QUI A BESOIN DOIT ÊTRE INSPECTÉ PRÉRIODIQUEMENT ET REMPLACÉ RÉGULIÈREMENT POUR FONCTIONNER CORRECTEMENT. RÉFÉREZ-VOUS AU MANUEL DU PROPRIÉTAIRE POUR PLUS D'INFORMATION. IL EST INTERDIT PAR LES LOIS FÉDÉRALES D'OPÉRER CET APPAREIL AU BOIS SANS RESPECTER LES CONSIGNES D'OPÉRATION DU MANUEL DU PROPRIÉTAIRE OU SI LE CATALYSEUR EST DÉSACTIVÉ OU ENLEVÉ.</p> <p>CET APPAREIL AU BOIS N'EST PAS APPROUVÉ AVEC UN REGISTRE DE CHEMINÉE AUTRE QU'UN REGISTRE OUVERT-FERMÉ.</p>			DÉGAGEMENTS MINIMAUX AUX MATÉRIEAUX COMBUSTIBLES		MUR DE CÔTÉ	16 PO. (406 mm) DE L'OUVERTURE DE LA BOÎTE À FEU	*HAUTEUR DE LA TABLETTE DE MANTEAU DE CHEMINÉE: MAX. 12 PO. (305 mm) PROFOND	36 ½ PO. (927 mm) DE L'OUVERTURE DE LA BOÎTE À FEU	ARRIÈRE, CÔTÉS ET BASE DE L'APPAREIL	0" (0 mm) AUX ESPACEURS
DÉGAGEMENTS MINIMAUX AUX MATÉRIEAUX COMBUSTIBLES										
MUR DE CÔTÉ	16 PO. (406 mm) DE L'OUVERTURE DE LA BOÎTE À FEU									
*HAUTEUR DE LA TABLETTE DE MANTEAU DE CHEMINÉE: MAX. 12 PO. (305 mm) PROFOND	36 ½ PO. (927 mm) DE L'OUVERTURE DE LA BOÎTE À FEU									
ARRIÈRE, CÔTÉS ET BASE DE L'APPAREIL	0" (0 mm) AUX ESPACEURS									

APPENDIX 8: Photographs of test set up

Dilution picture dia 6

Picture 1 : Sampling system



- 1 : 6 in dia Stainless steel pipe
- 2 : 16 in. Between sampling probe and lower elbow
- 3 : Air intake with damper to adjust flow rate
- 4 : Exhaust blower

Picture 2 : Hood and mixing baffle



*The arrow point the deflectors inside of the pipe

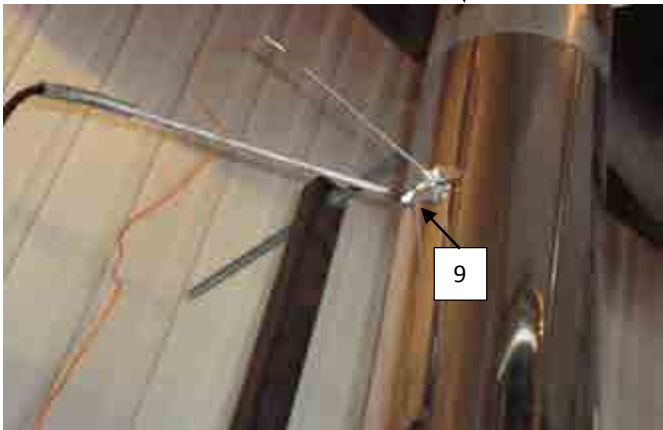
- 5** : 8 in. dia. Stainless steel pipe
- 6** : Mixing baffle (2) location 1 foot between baffles
- 7** : 4 feet long between velocity port and upper elbow
- 8** : 24 in. dia. Galvanized steel smoke captures hood, located 3 feet away from dilution tunnel
- 9** : Velocity port

Picture 3: Stack sampling



Picture 3.1: Gas analysis and temperature probe

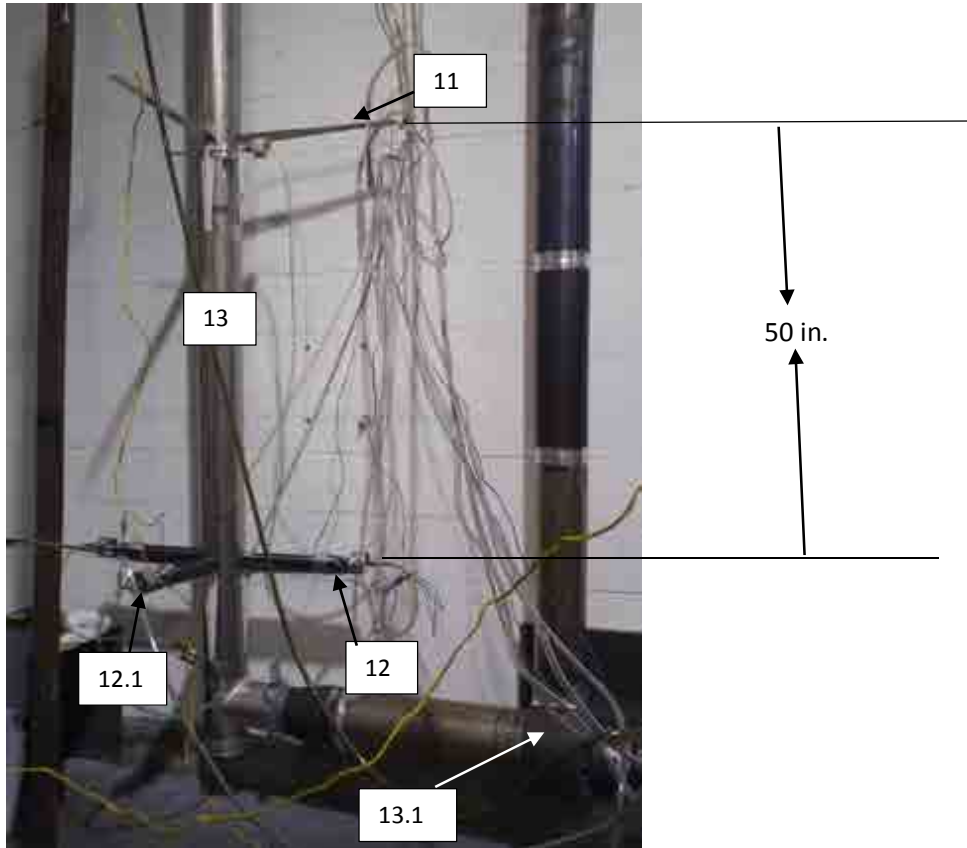
Picture 3.2: chimney support



9 : Temperature and gas analyser sampling ports located 9 feet above platform

10 : Exhaust system support bracket

Picture 4: Tunnel flow measurement and sampling probe



11 : Velocity port

12 : Sampling port, 2 sampling probes with 2x48 mm. dia.filter each. Filter used:
Millipore AP4004700

12.1 : Sampling port, sampling probes with 2x48 mm. dia.filter each. Filter used:
Millipore AP4004700, for first hour sampling

13 : 15 feet long dilution tunnel

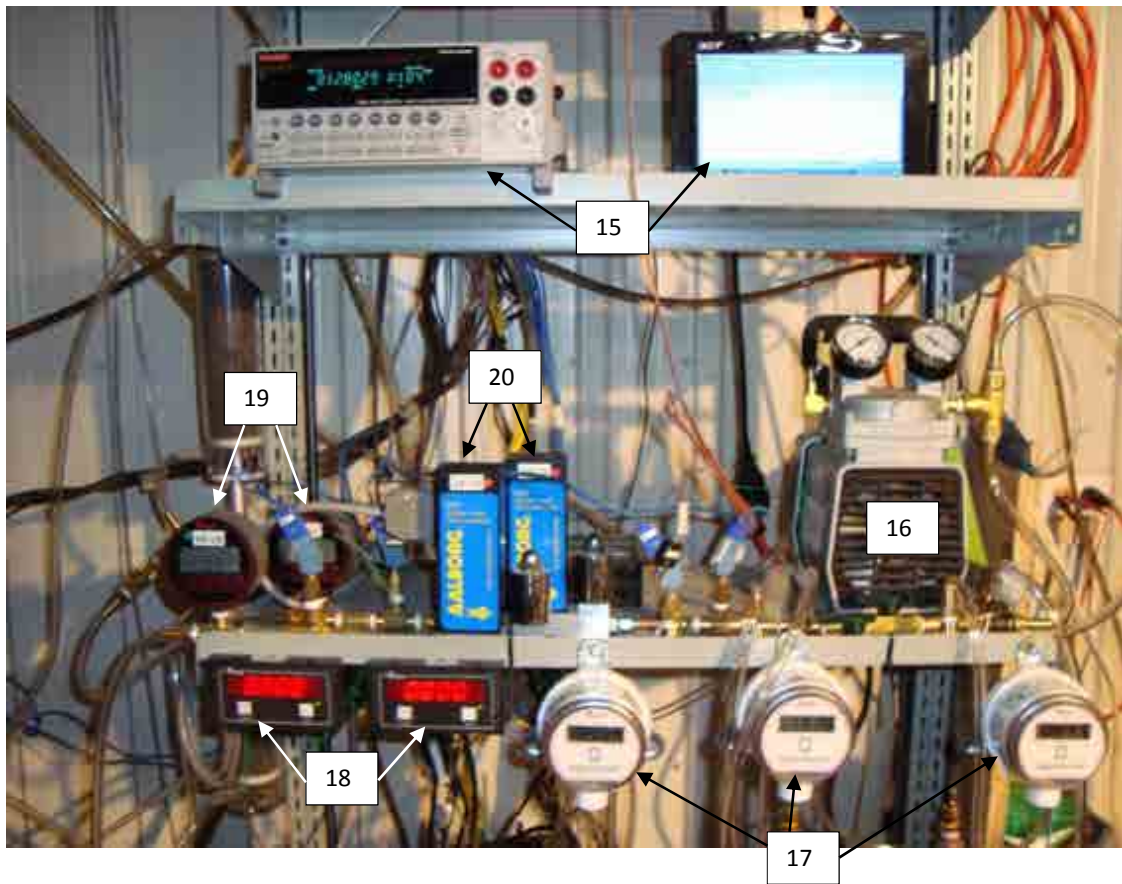
13.1 : Extraction blower

Picture 5: Draft sampling



14 : Draft sampling port located 6 in. from the flue outlet

Picture 6: Equipments



- 15 : Acquisition system
- 16 : Vacuum pump
- 17 : Digital manometer
- 18 : Digital read out for mass flow meter
- 19 : Digital vacuum gage
- 20 : Mass flow meter

Picture 7: Gaz analyser

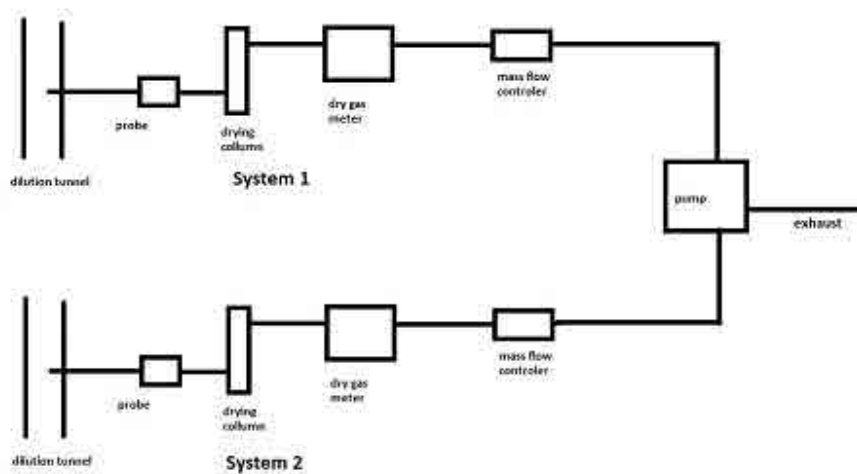


Picture 8: Reference dry gas meter

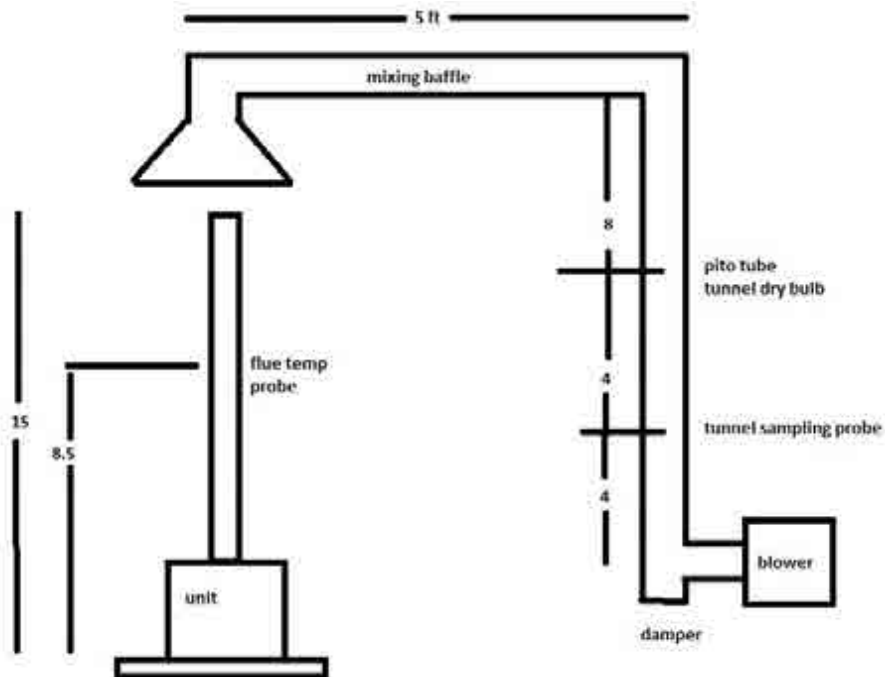




Picture 12 : Dilution tunnel sample system



Picture 13: Dilution tunnel



APPENDIX 9: Test load photographs

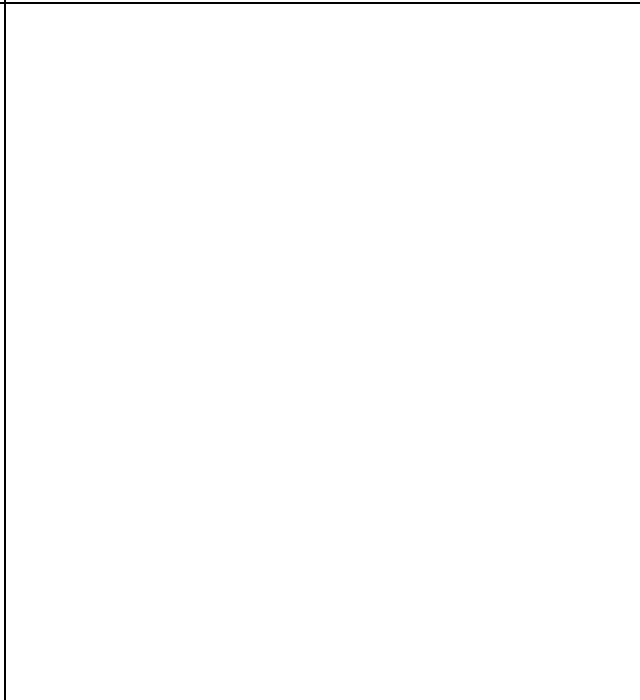
Run 2



Run 3



Run 4



Run 5



Run 6

